



US00D687340S

(12) **United States Design Patent**
Rosenkötter

(10) **Patent No.:** **US D687,340 S**

(45) **Date of Patent:** **** Aug. 6, 2013**

(54) **HOLIDAY ORNAMENT WITH SUCTION CUP**

(71) Applicant: **Torsten Rosenkötter**, Ahrensburg (DE)

(72) Inventor: **Torsten Rosenkötter**, Ahrensburg (DE)

(**) Term: **14 Years**

(21) Appl. No.: **29/436,961**

(22) Filed: **Nov. 11, 2012**

Related U.S. Application Data

(63) Continuation-in-part of application No. 29/401,337, filed on Sep. 10, 2011, now abandoned.

(30) **Foreign Application Priority Data**

Apr. 28, 2011 (EM) 001856535-0001

Apr. 28, 2011 (EM) 001856535-0002

Apr. 28, 2011 (EM) 001856535-0003

(51) **LOC (9) Cl.** **11-05**

(52) **U.S. Cl.**
USPC **D11/121**

(58) **Field of Classification Search**
USPC D11/40, 41, 42, 117, 121, 124, 125,
D11/127, 130, 131, 132, 133, 134, 142, 157,
D11/158; 428/7, 8, 9, 11, 12
See application file for complete search history.

(56) **References Cited**

U.S. PATENT DOCUMENTS

- 3,533,890 A * 10/1970 Nesbit 428/11
- 3,565,735 A * 2/1971 Burnbaum 428/11
- 3,694,648 A * 9/1972 Yates 362/311.03
- 3,829,348 A * 8/1974 Spiegel 428/11
- 3,983,658 A * 10/1976 de Sanz 446/5
- 4,358,487 A * 11/1982 Walker 428/11
- 4,996,087 A * 2/1991 Rebstock 428/11
- 5,378,512 A * 1/1995 Van Wyk 428/11
- 5,399,391 A * 3/1995 Perez-Viera et al. 428/11

- D382,824 S * 8/1997 Motruk D10/106.4
- D416,826 S * 11/1999 Newsome D11/121
- D417,164 S * 11/1999 Sandoval et al. D10/106.4

(Continued)

Primary Examiner — Elizabeth J Oswecki

(74) *Attorney, Agent, or Firm* — Smartpat PLC; Axel Nix

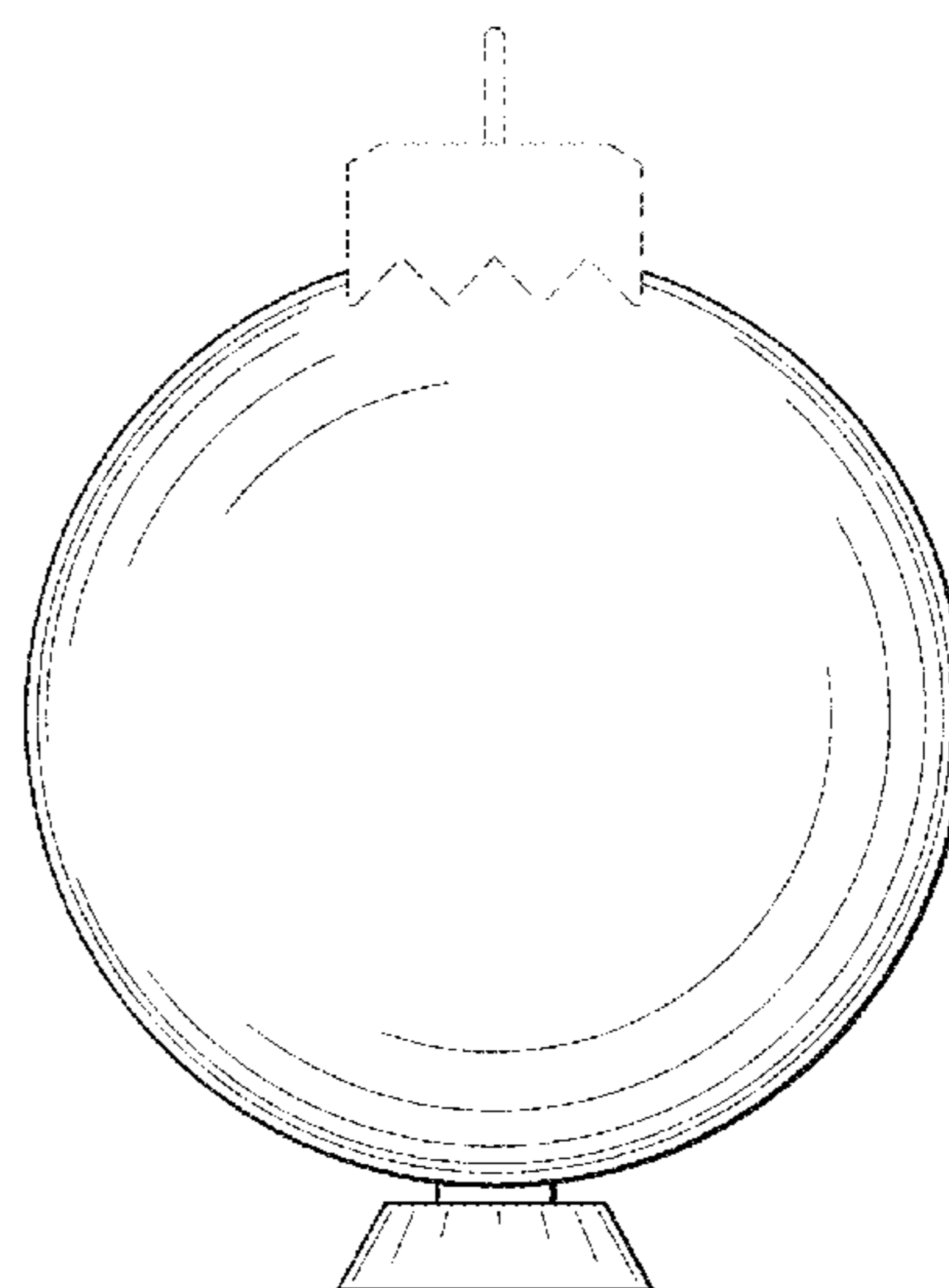
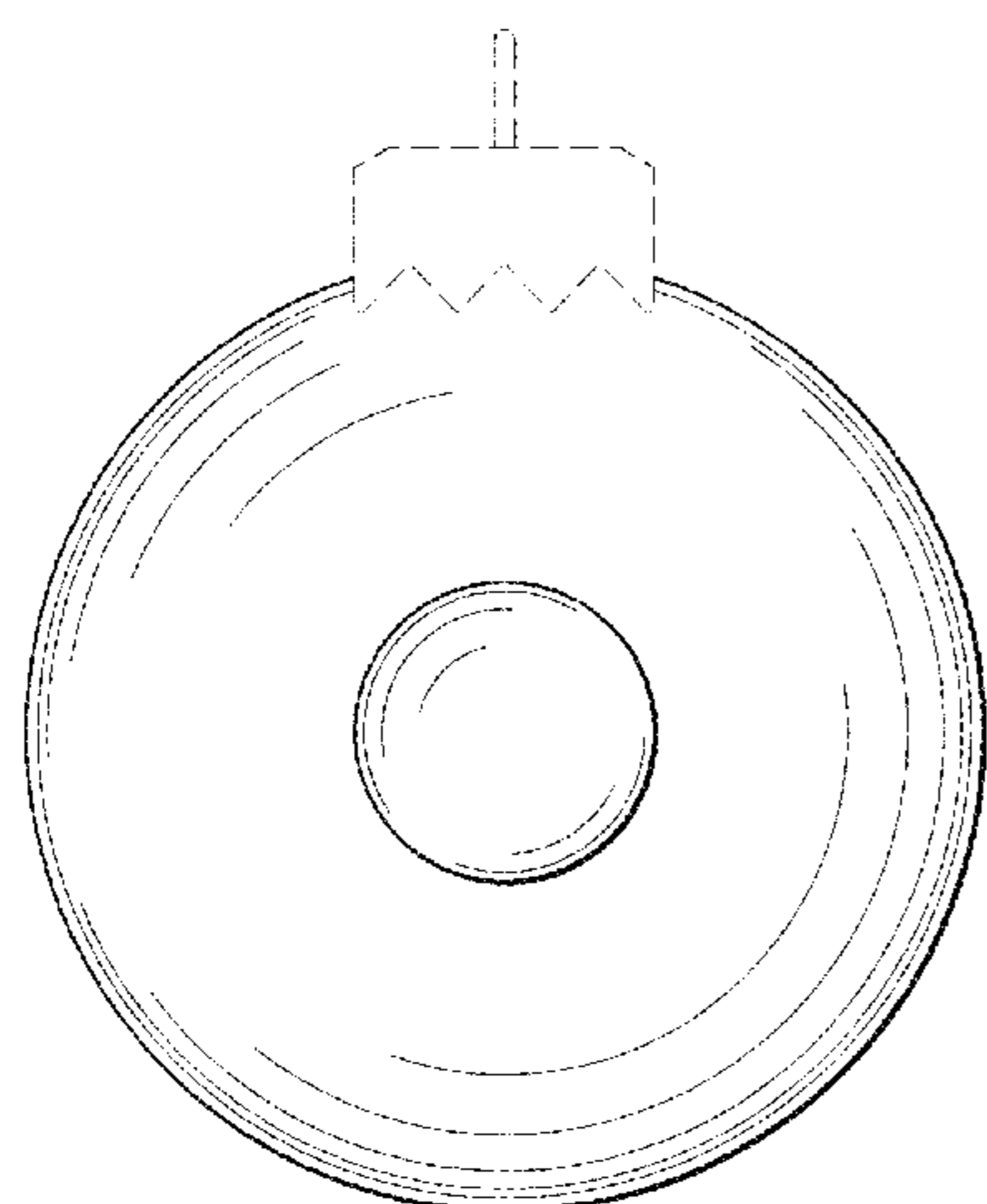
(57) **CLAIM**

I claim the ornamental design for a holiday ornament with suction cup, as shown and described.

DESCRIPTION

FIG. 1 is a front view of a first embodiment of a holiday ornament with suction cup showing my new design;
 FIG. 2 is a rear view thereof;
 FIG. 3 is a right side view thereof; the left side view is a mirror image of the right side view;
 FIG. 4 is a top view thereof;
 FIG. 5 is a bottom view thereof;
 FIG. 6 is a front, right side perspective view thereof;
 FIG. 7 is a front view of a second embodiment of a holiday ornament with suction cup showing my new design; the rear view is identical to the front view;
 FIG. 8 is a right side view thereof; the left side view is identical to the right side view;
 FIG. 9 is a top view thereof;
 FIG. 10 is a bottom view thereof;
 FIG. 11 is a bottom, right side perspective view thereof;
 FIG. 12 is a front view of a third embodiment of a holiday ornament with suction cup showing my new design;
 FIG. 13 is a rear view thereof;
 FIG. 14 is a right side view thereof; the left side view is a mirror image of the right side view;
 FIG. 15 is a top view; and,
 FIG. 16 is a bottom view thereof.
 The broken line showing of a hanger is included for the purpose of illustrating environment and forms no part of the claimed design.

1 Claim, 8 Drawing Sheets



US D687,340 S

Page 2

U.S. PATENT DOCUMENTS

| | | | | | | | | | |
|-----------|------|--------|-------------------|---------|----------|-----|---------|----------------------|---------|
| 6,399,167 | B1 * | 6/2002 | Lewis, Jr. | 428/11 | D598,808 | S * | 8/2009 | Rosenkotter | D11/121 |
| D491,484 | S * | 6/2004 | Tyler | D11/121 | D603,291 | S * | 11/2009 | Wessling | D11/121 |
| D520,624 | S * | 5/2006 | Blymyer | D23/368 | D604,664 | S * | 11/2009 | Mollaert et al. | D11/121 |
| D545,974 | S * | 7/2007 | Nan | D24/211 | D614,989 | S * | 5/2010 | Nakamura | D11/121 |
| D598,321 | S * | 8/2009 | Rosenkotter | D11/121 | D619,493 | S * | 7/2010 | Chen | D11/121 |
| D598,806 | S * | 8/2009 | Rosenkotter | D11/117 | | | | | |

* cited by examiner

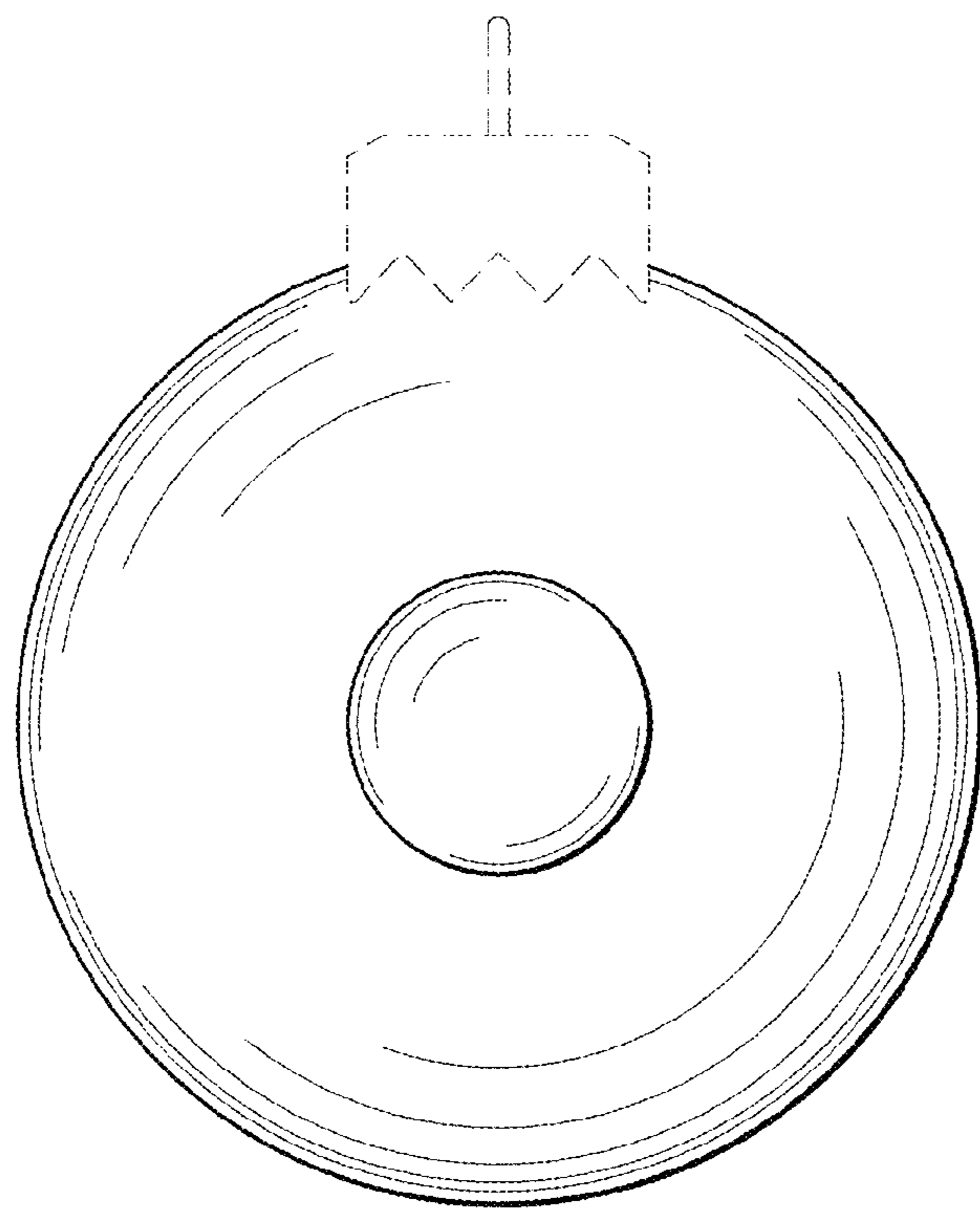


FIG. 1

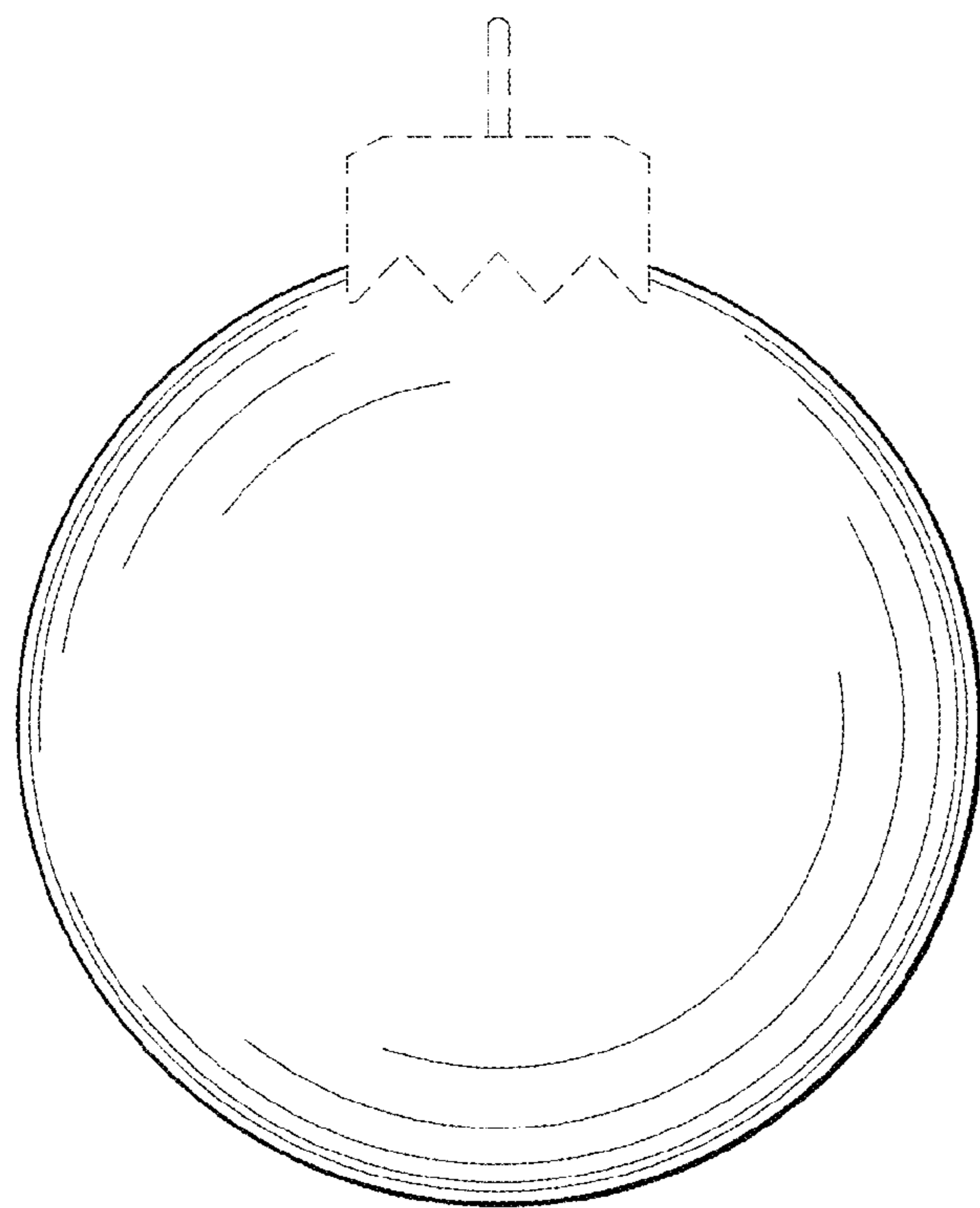


FIG. 2

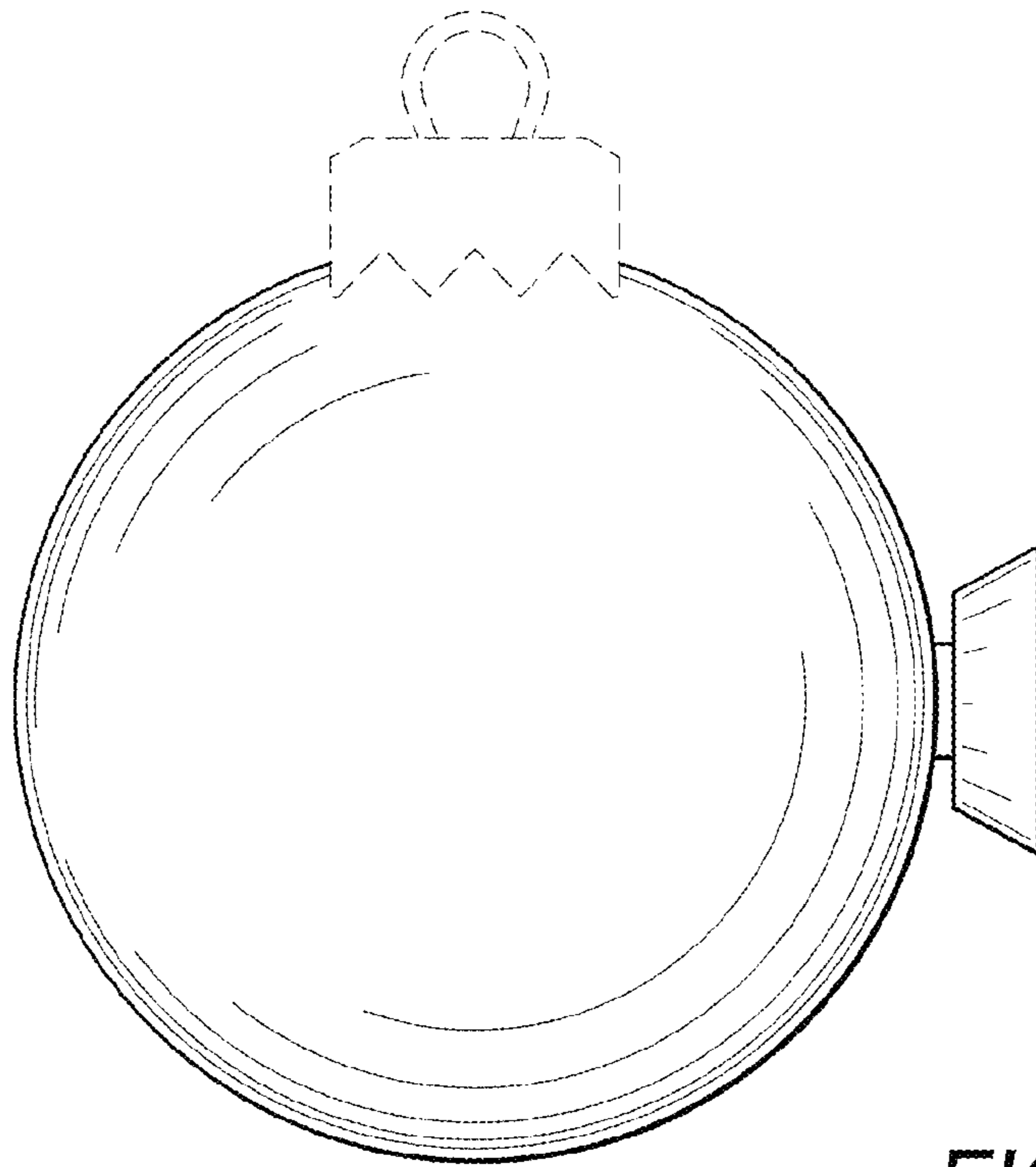


FIG. 3

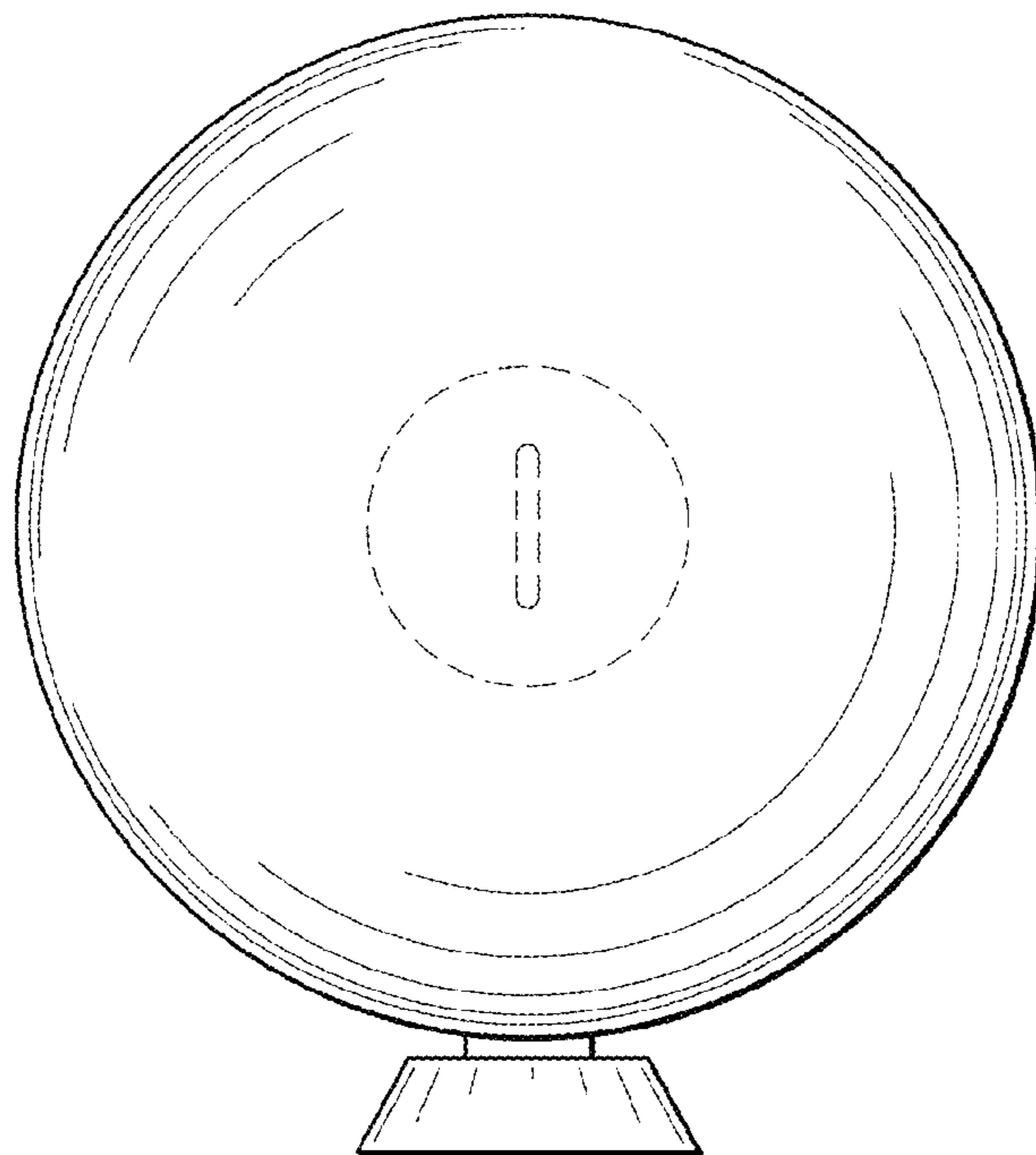


FIG. 4

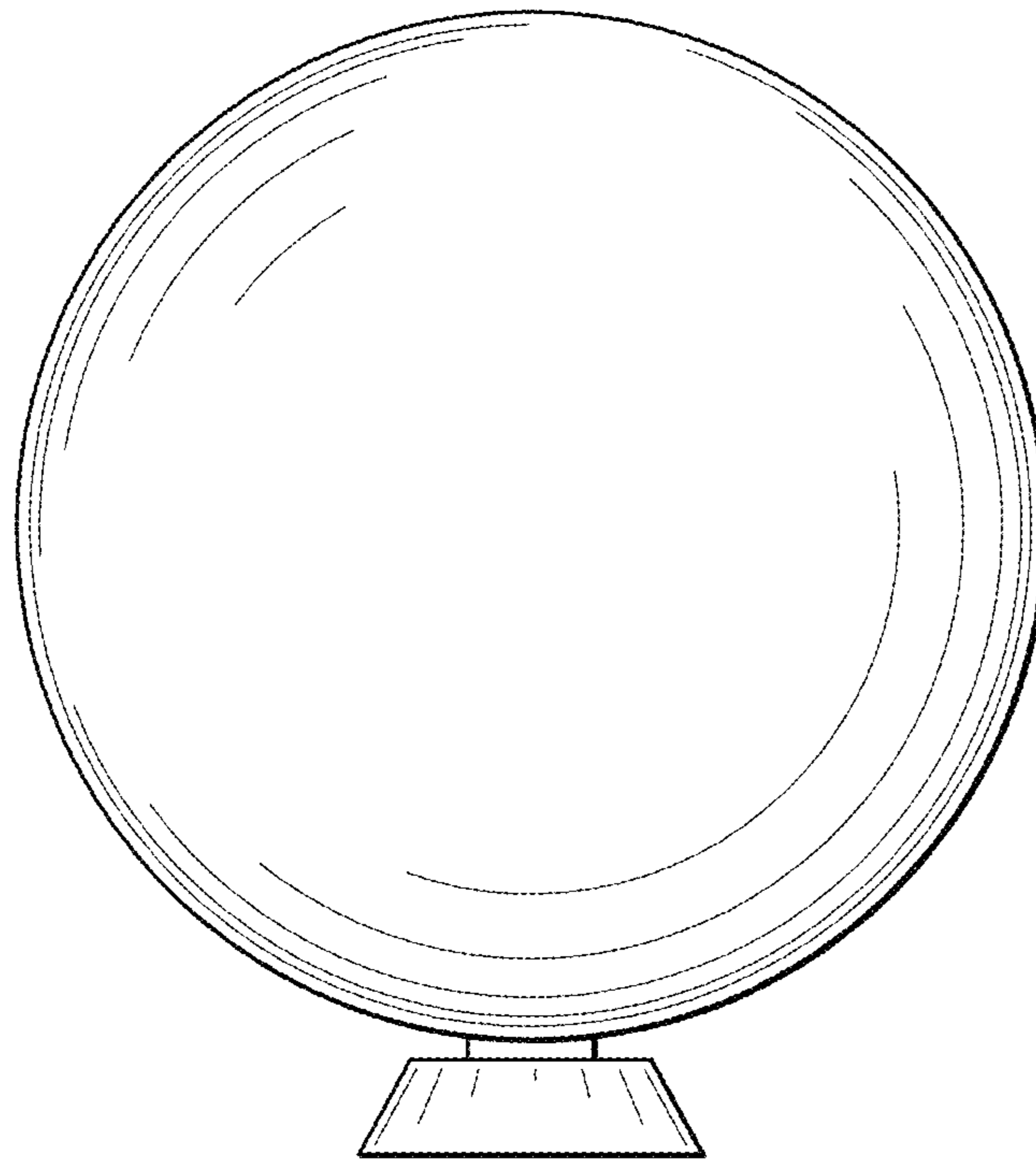


FIG. 5

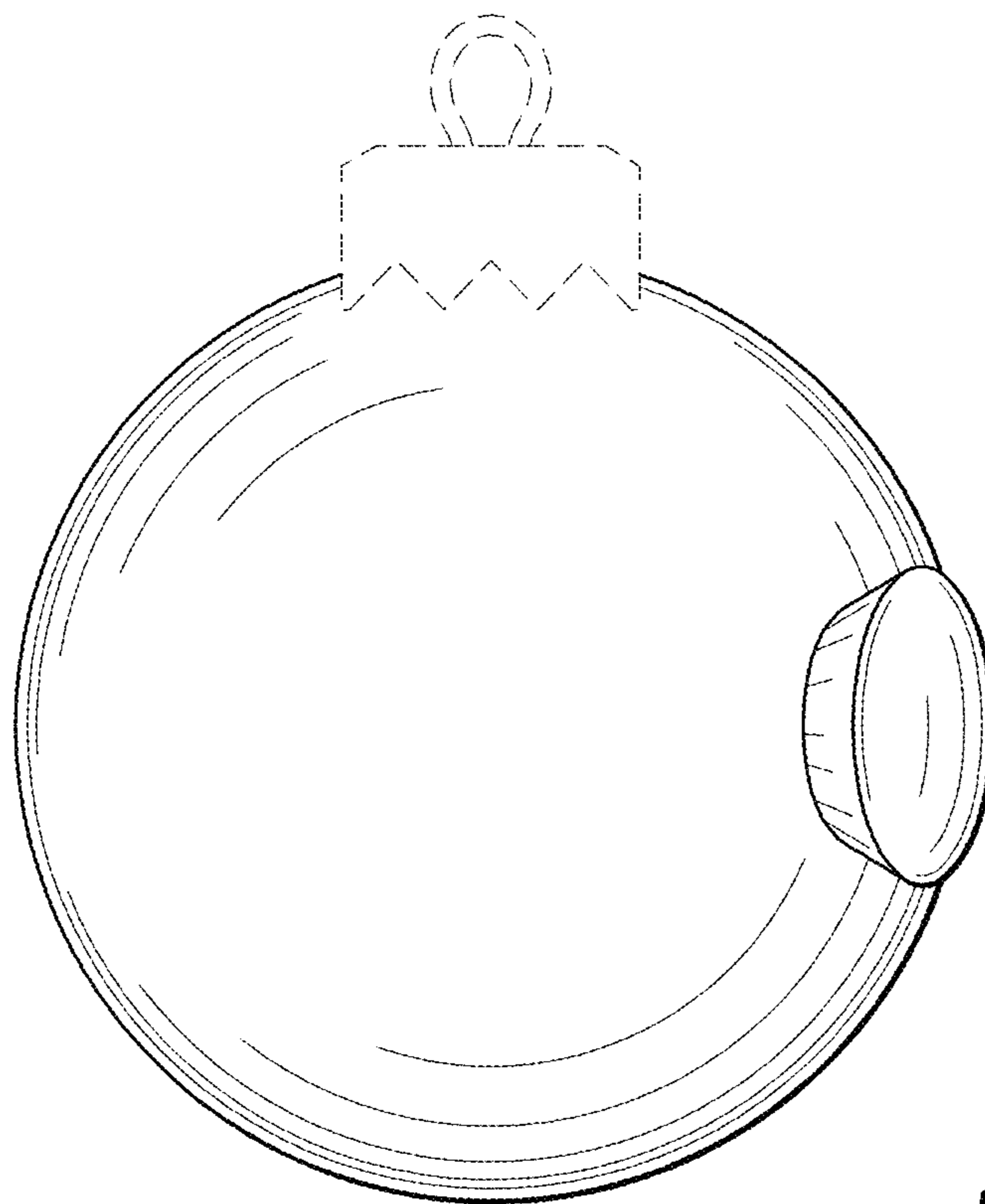


FIG. 6

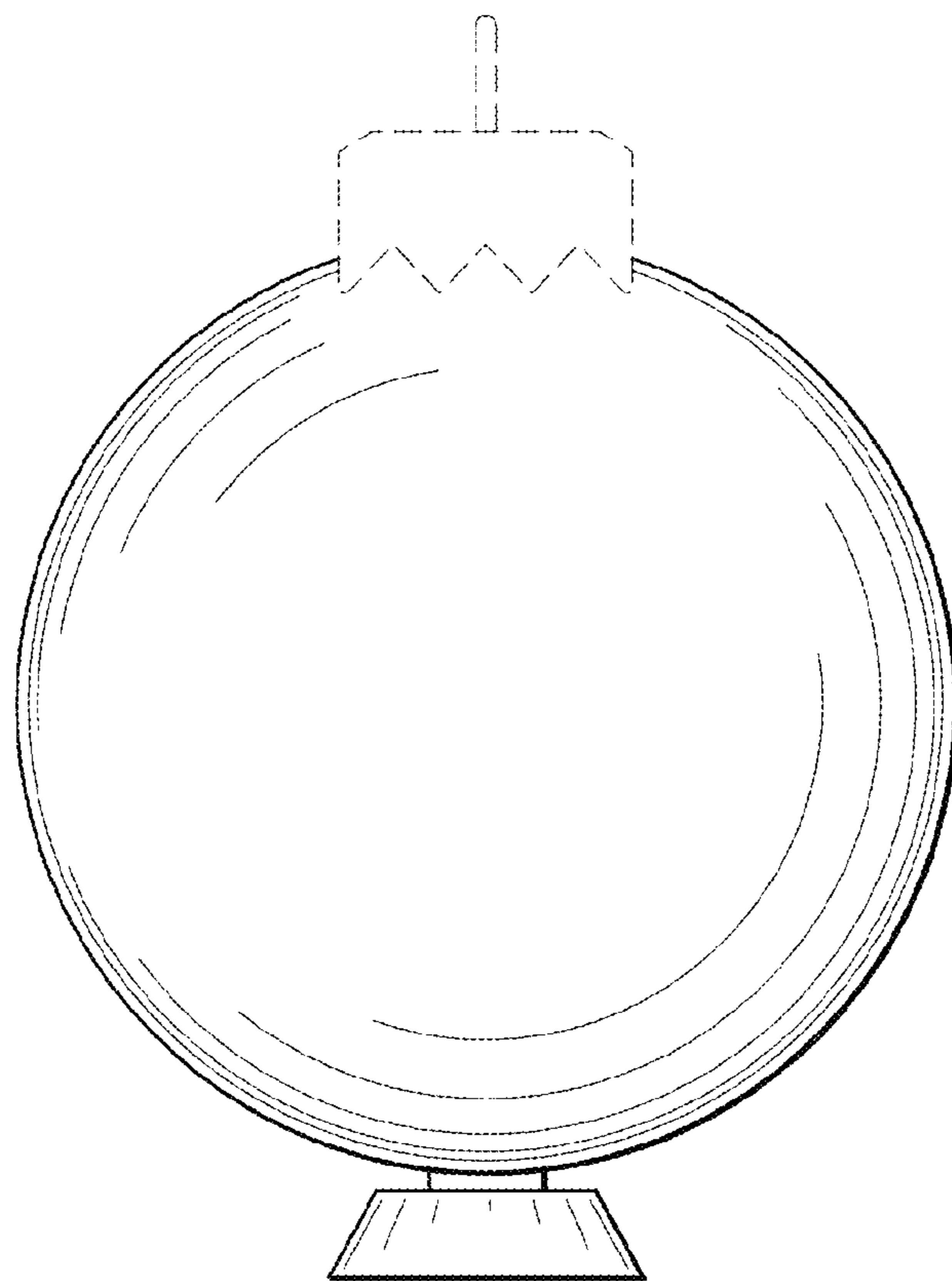


FIG. 7

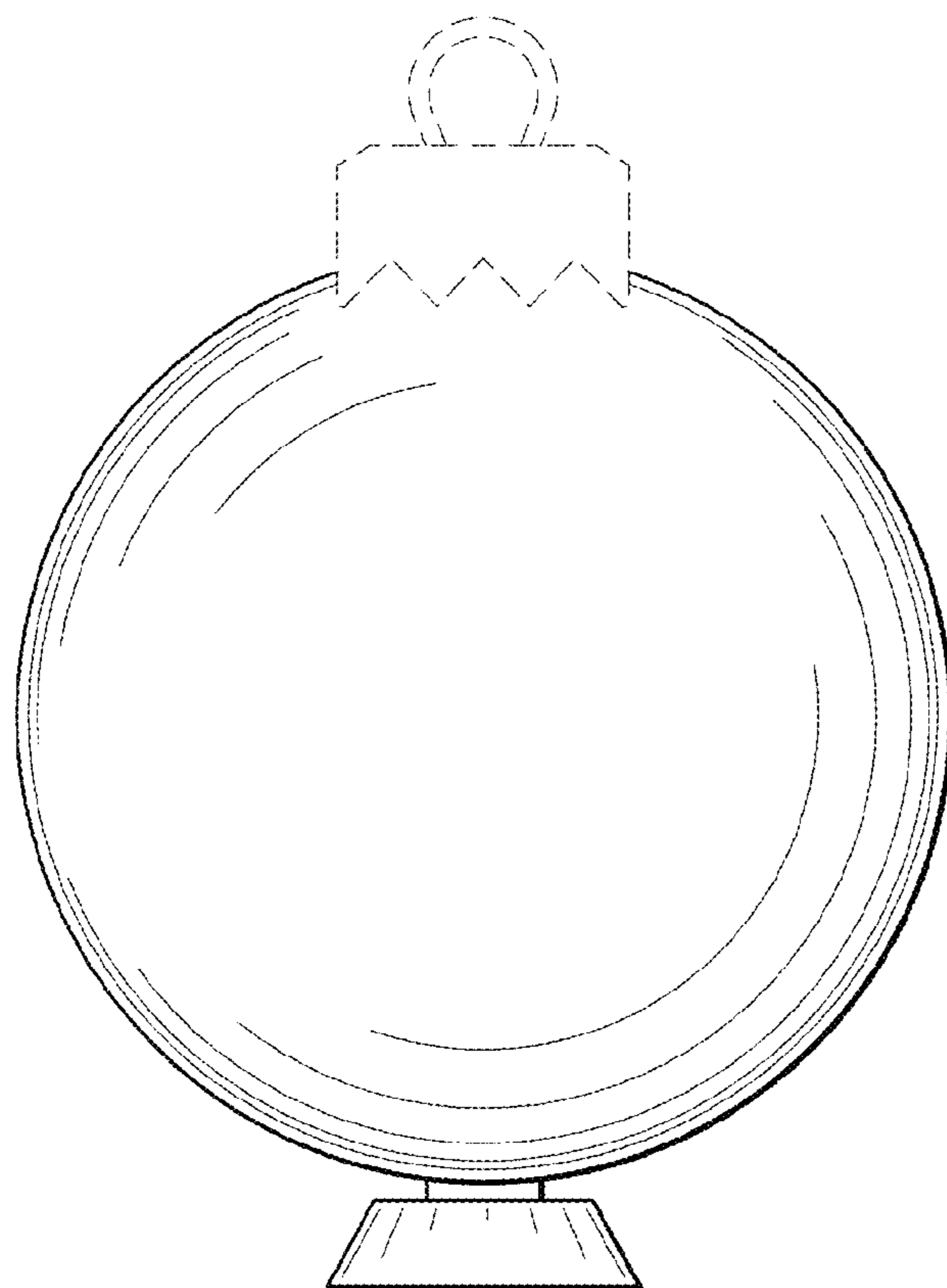


FIG. 8

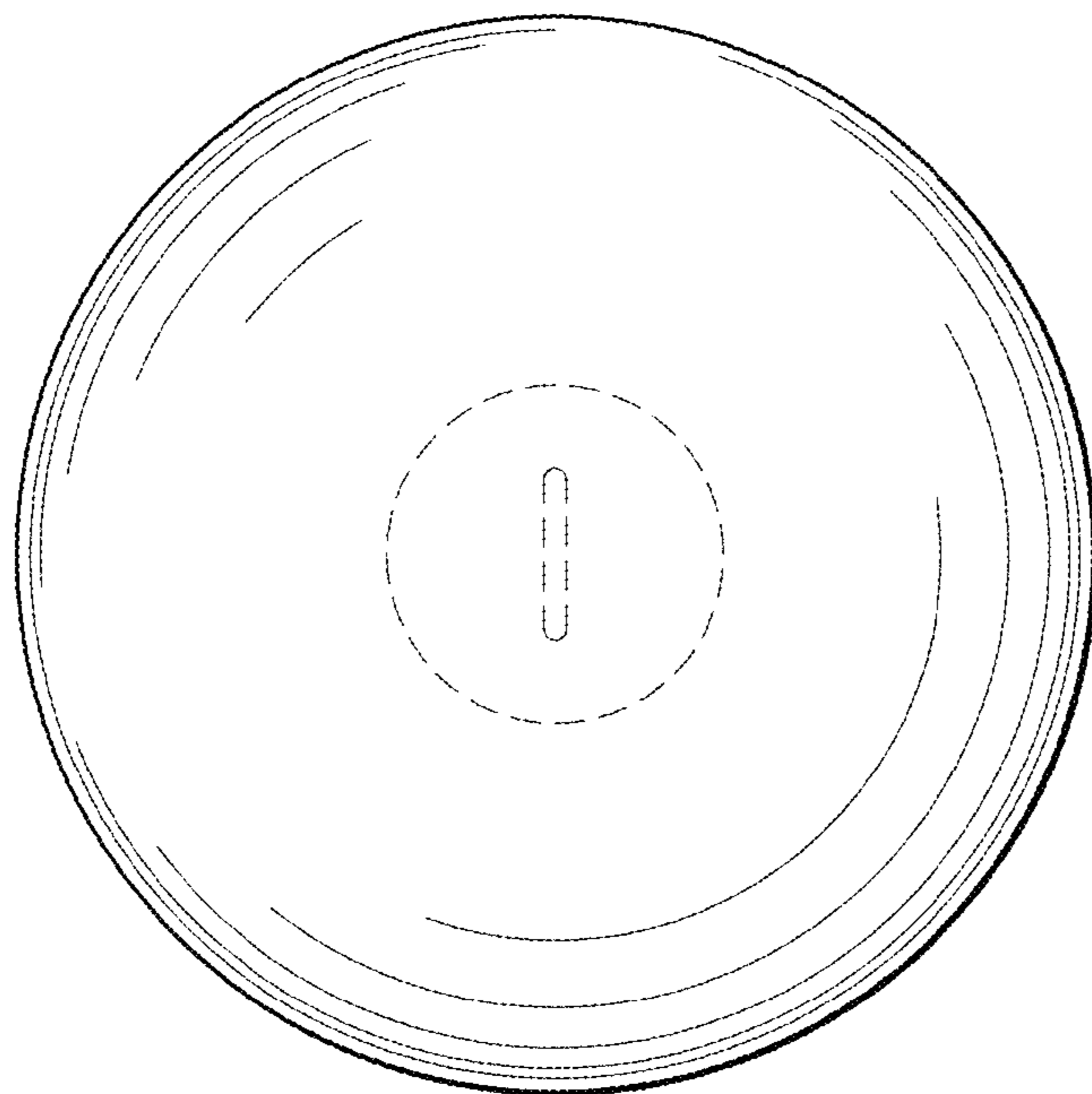


FIG. 9

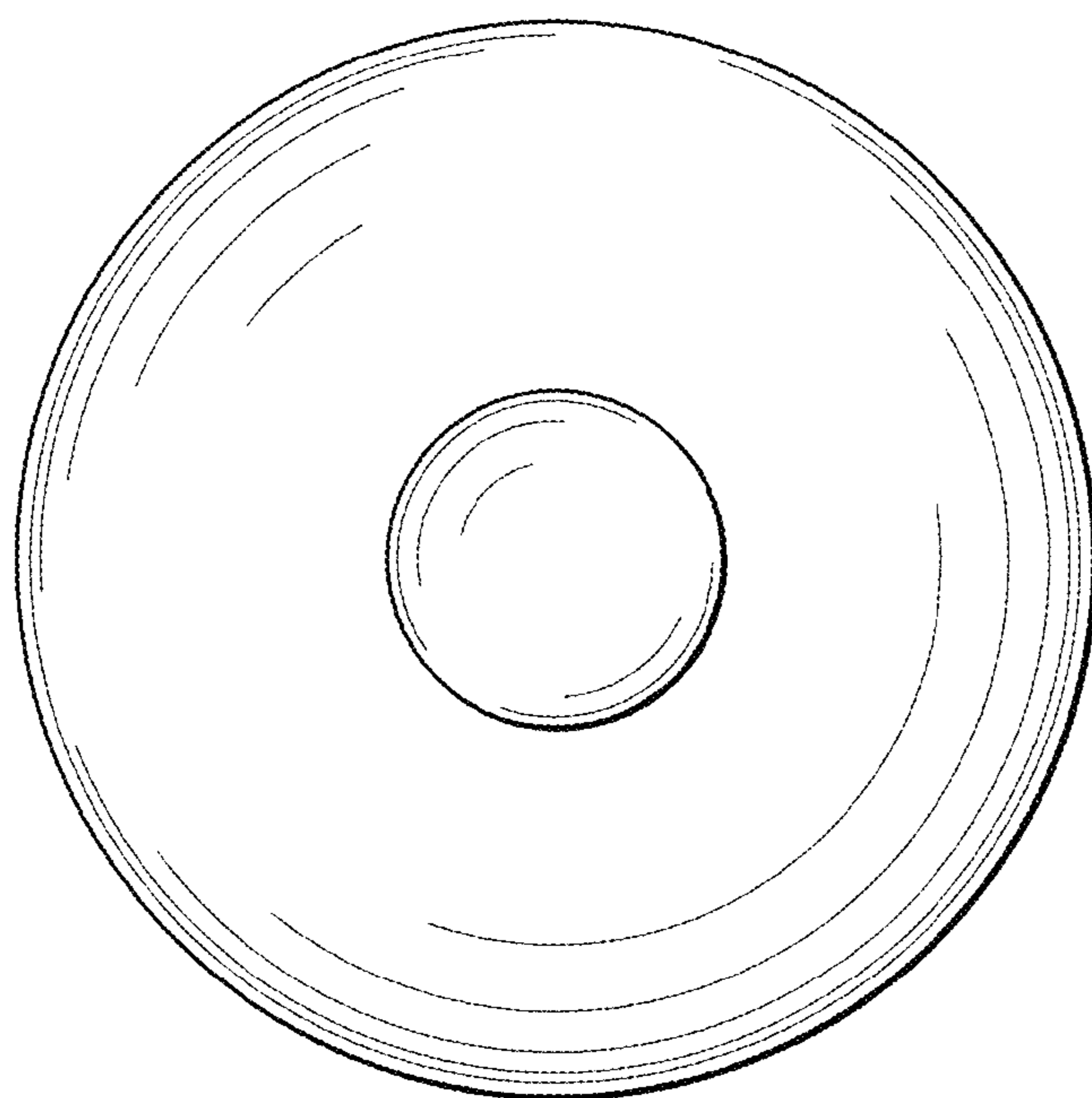


FIG. 10

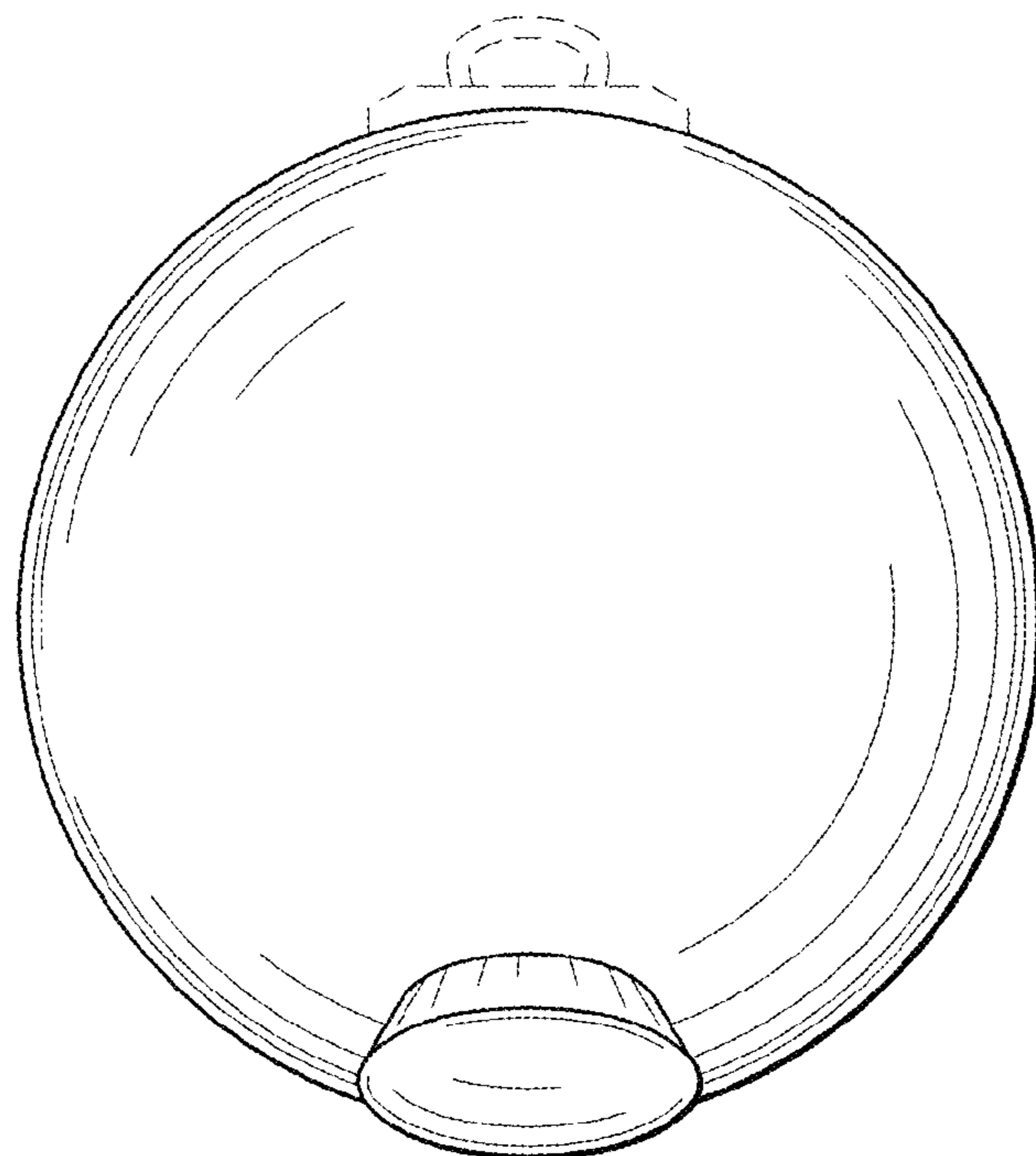


FIG. 11

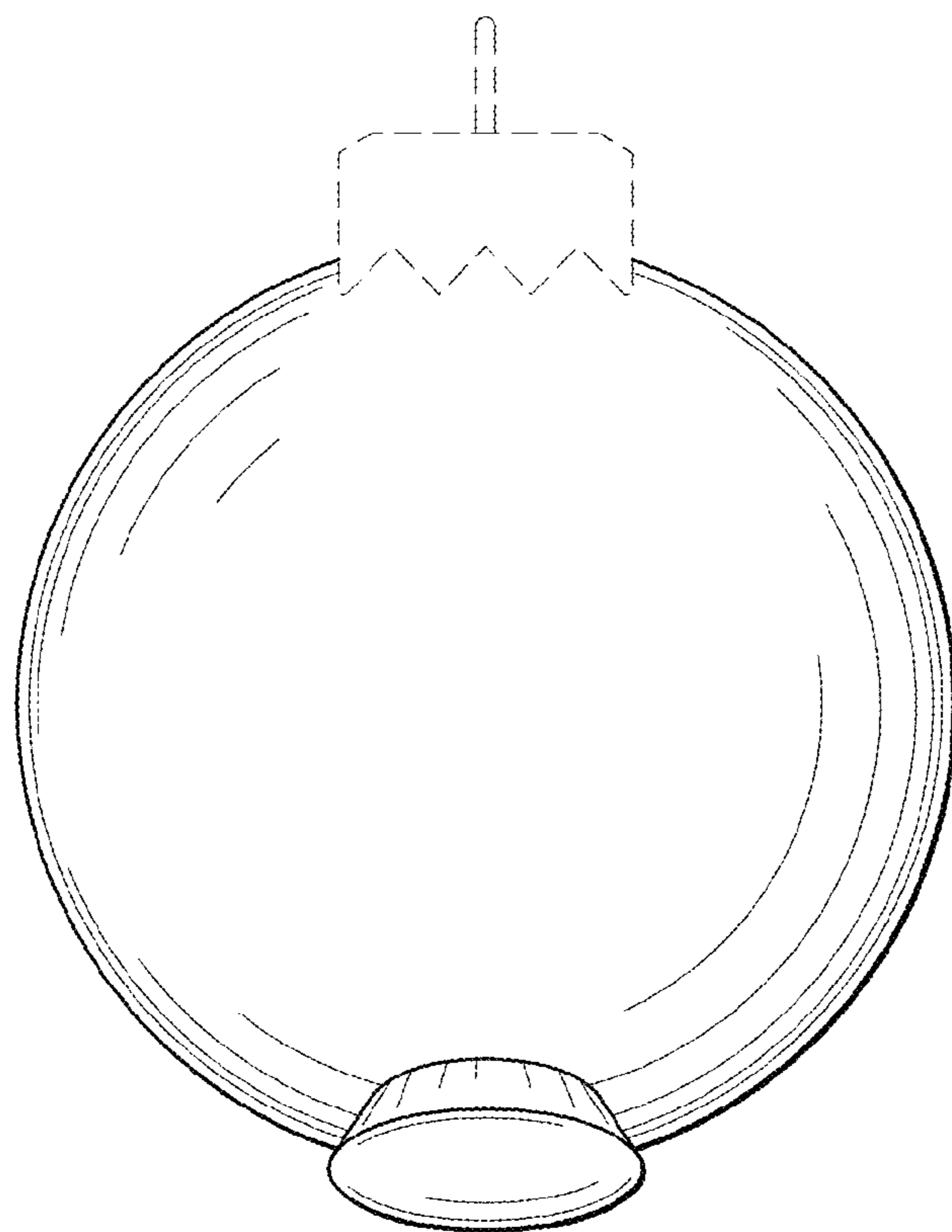


FIG. 12

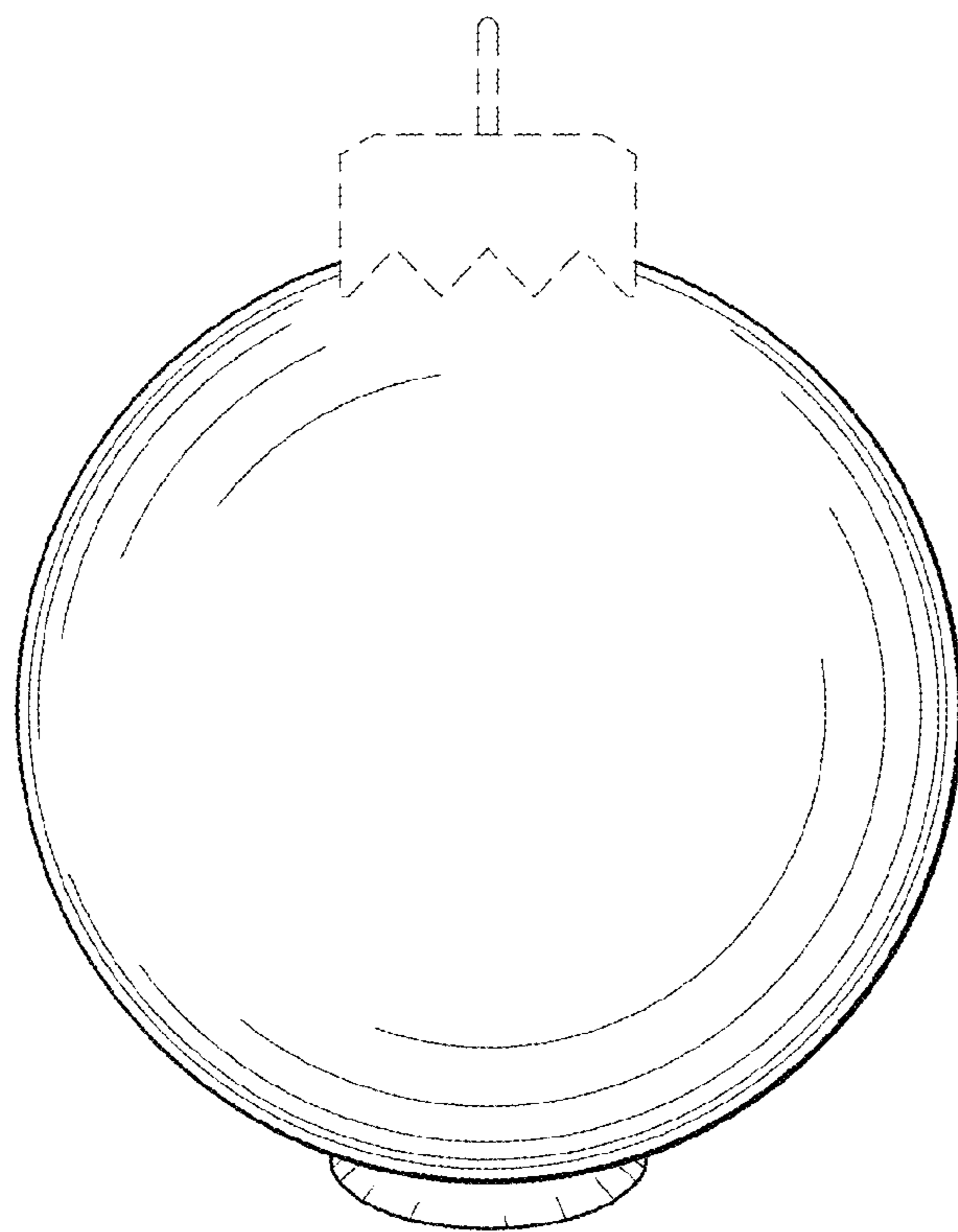


FIG. 13

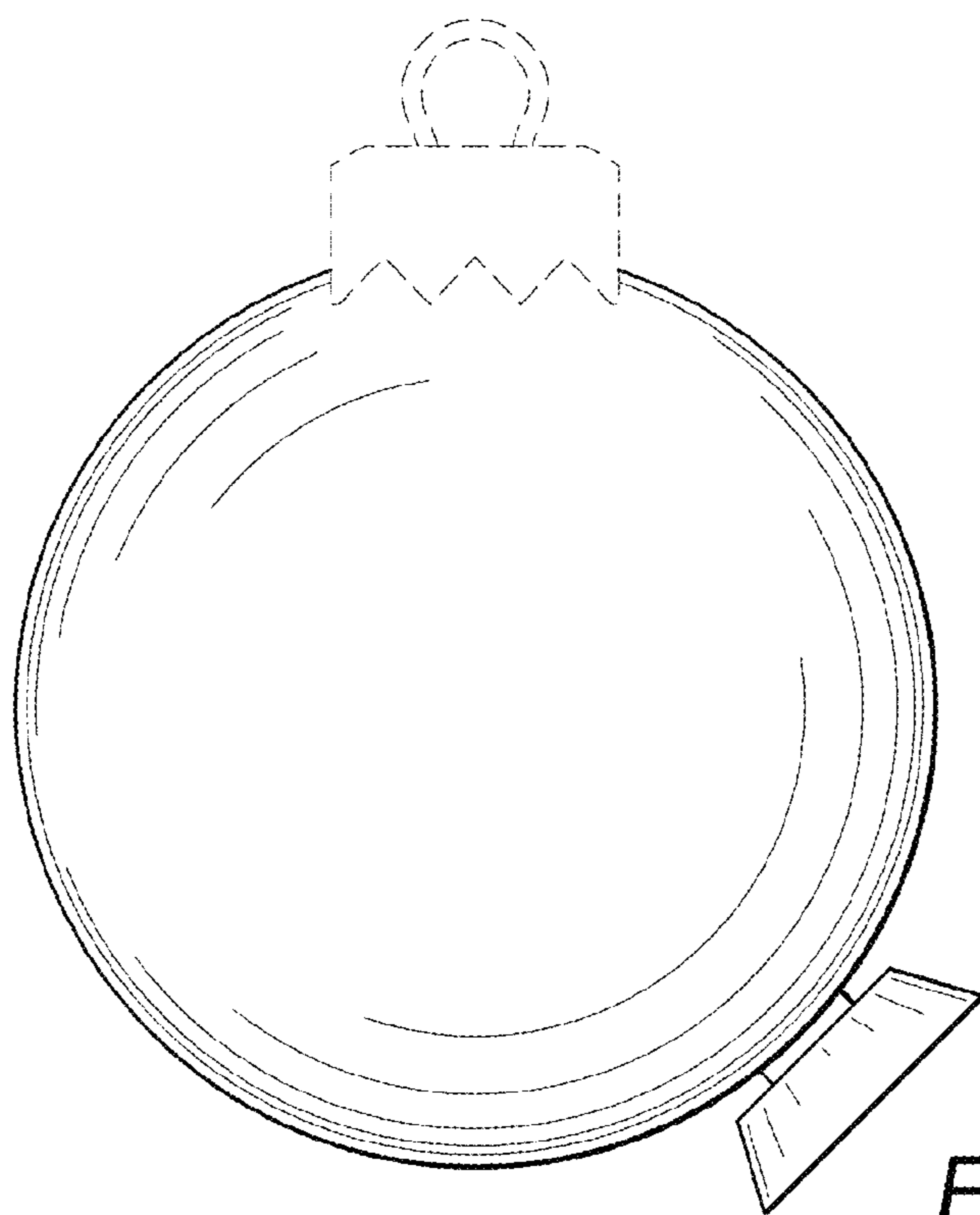


FIG. 14

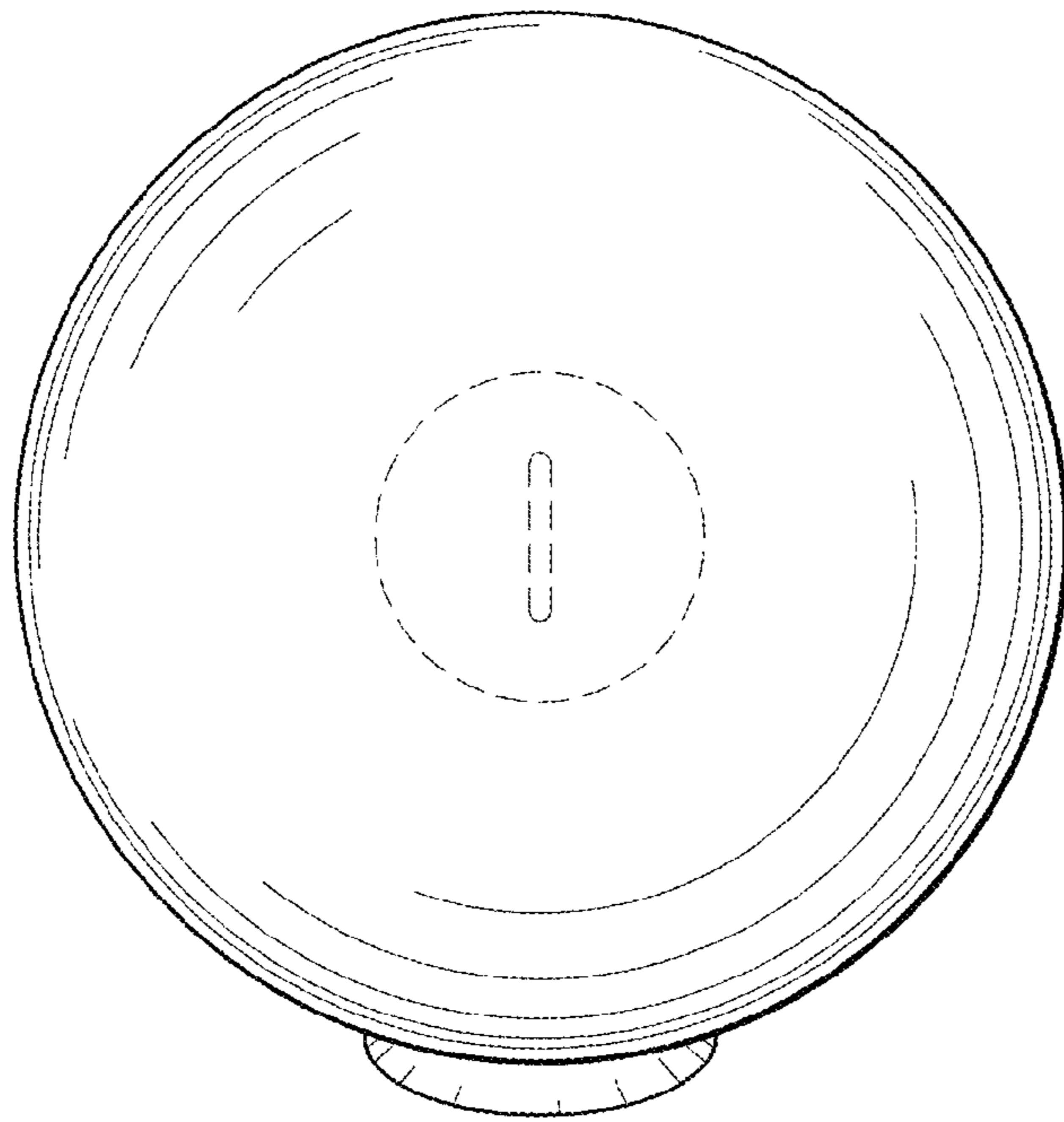


FIG. 15

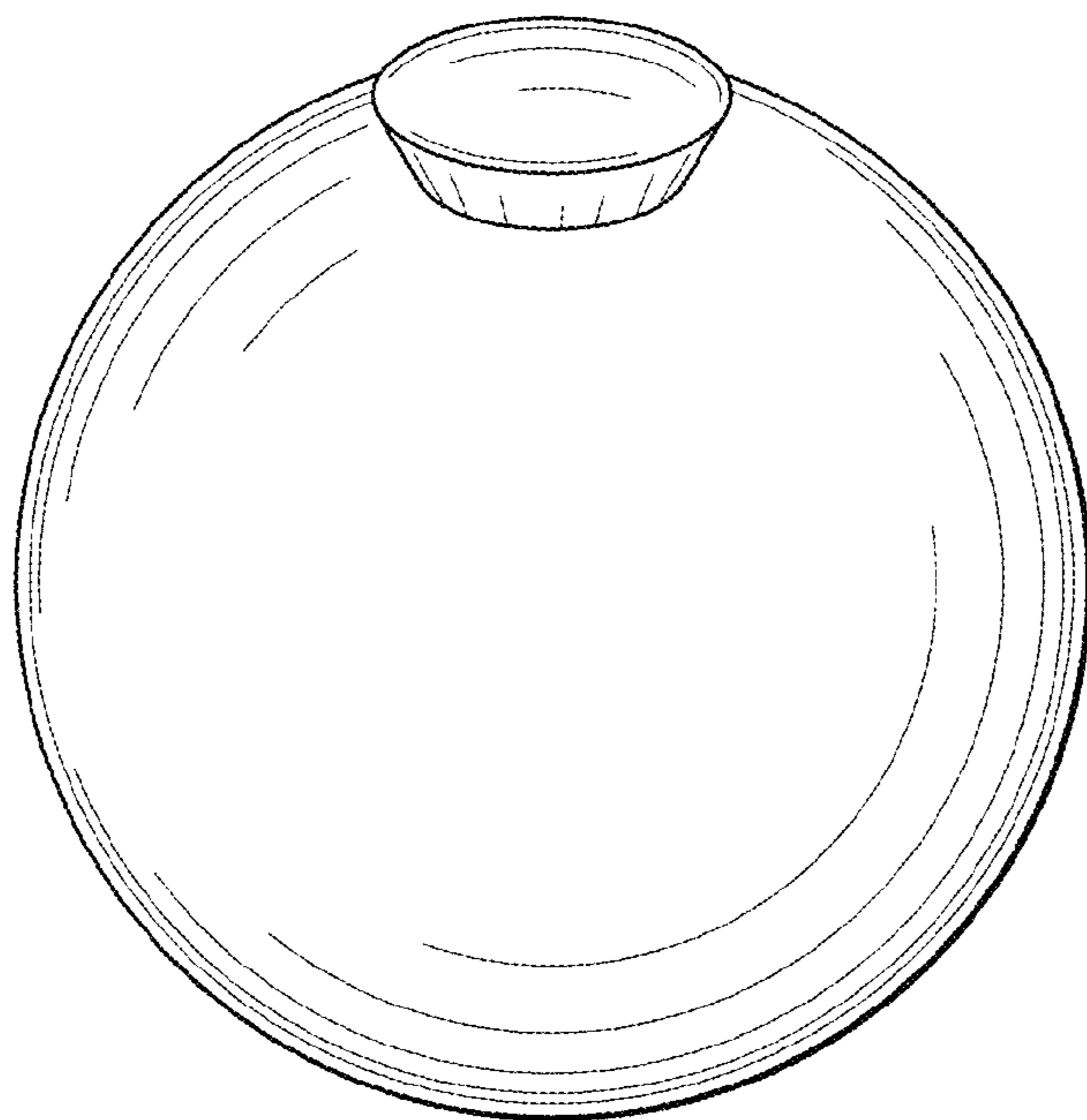


FIG. 16