



US00D687339S

(12) **United States Design Patent**
Rues

(10) **Patent No.:** **US D687,339 S**

(45) **Date of Patent:** **** Aug. 6, 2013**

(54) **ARTIFICIAL ROSE FLOWER HAVING METAL PETALS**

(71) Applicant: **Nathan Rues**, Fishers, IN (US)

(72) Inventor: **Nathan Rues**, Fishers, IN (US)

(**) Term: **14 Years**

(21) Appl. No.: **29/438,574**

(22) Filed: **Nov. 30, 2012**

(51) **LOC (9) Cl.** **11-04**

(52) **U.S. Cl.**
USPC **D11/117**

(58) **Field of Classification Search**
USPC D11/117, 121, 125, 131, 132, 133,
D11/139, 142, 143, 149, 151, 115, 47, 67;
428/7, 8, 9, 12, 15, 17, 21, 22, 23, 24
See application file for complete search history.

(56) **References Cited**

U.S. PATENT DOCUMENTS

490,170	A	*	1/1893	Souchet	428/23
D34,373	S	*	4/1901	Kiebele	D9/444
D37,243	S	*	11/1904	Helmschmied	D7/392
D45,985	S	*	6/1914	Branning	D11/117
D68,007	S	*	8/1925	Lavell	D26/19
1,766,351	A	*	6/1930	Patterson	428/26
1,831,559	A	*	11/1931	Ham et al.	428/26
2,788,918	A	*	4/1957	Davis	222/78
D191,865	S	*	12/1961	Mosheim	D32/43
D196,259	S	*	9/1963	Dwyer	D26/127
D318,797	S	*	8/1991	Cohen	D9/663
D347,493	S	*	5/1994	Connolly	D28/41
D362,798	S	*	10/1995	Porgesz	D9/663
D368,233	S	*	3/1996	Spickelmier	D11/117
D373,743	S	*	9/1996	Bright	D11/117
D379,430	S	*	5/1997	Siripreedabhakd et al.	...	D9/663
D417,887	S	*	12/1999	Coipel	D19/6

D438,139	S	*	2/2001	Mozena	D11/117
D501,976	S	*	2/2005	Cohen-Diederiksen	D1/102
D504,082	S	*	4/2005	Weiser et al.	D11/117
D516,944	S	*	3/2006	Weiser et al.	D11/117
D569,301	S	*	5/2008	Fotherby	D11/117
D573,506	S	*	7/2008	Kaiser	D11/117
D617,205	S	*	6/2010	Hernandez	D9/661
D675,126	S	*	1/2013	Hauskins	D11/117

* cited by examiner

Primary Examiner — Elizabeth J Oswecki

(74) *Attorney, Agent, or Firm* — Senniger Powers LLP

(57) **CLAIM**

The ornamental design for an artificial rose flower having metal petals, as shown and described.

DESCRIPTION

FIG. 1 is a front elevational view of a first embodiment of an artificial rose flower having metal petals, showing my new design;

FIG. 2 is a rear elevational view thereof;

FIG. 3 is a right elevational view thereof;

FIG. 4 is a left elevational view thereof

FIG. 5 is a top plan view thereof;

FIG. 6 is a bottom plan view thereof;

FIG. 7 is a front elevational view of a second embodiment of an artificial rose having metal petals, showing my new design;

FIG. 8 is a rear elevational view thereof;

FIG. 9 is a right elevational view thereof;

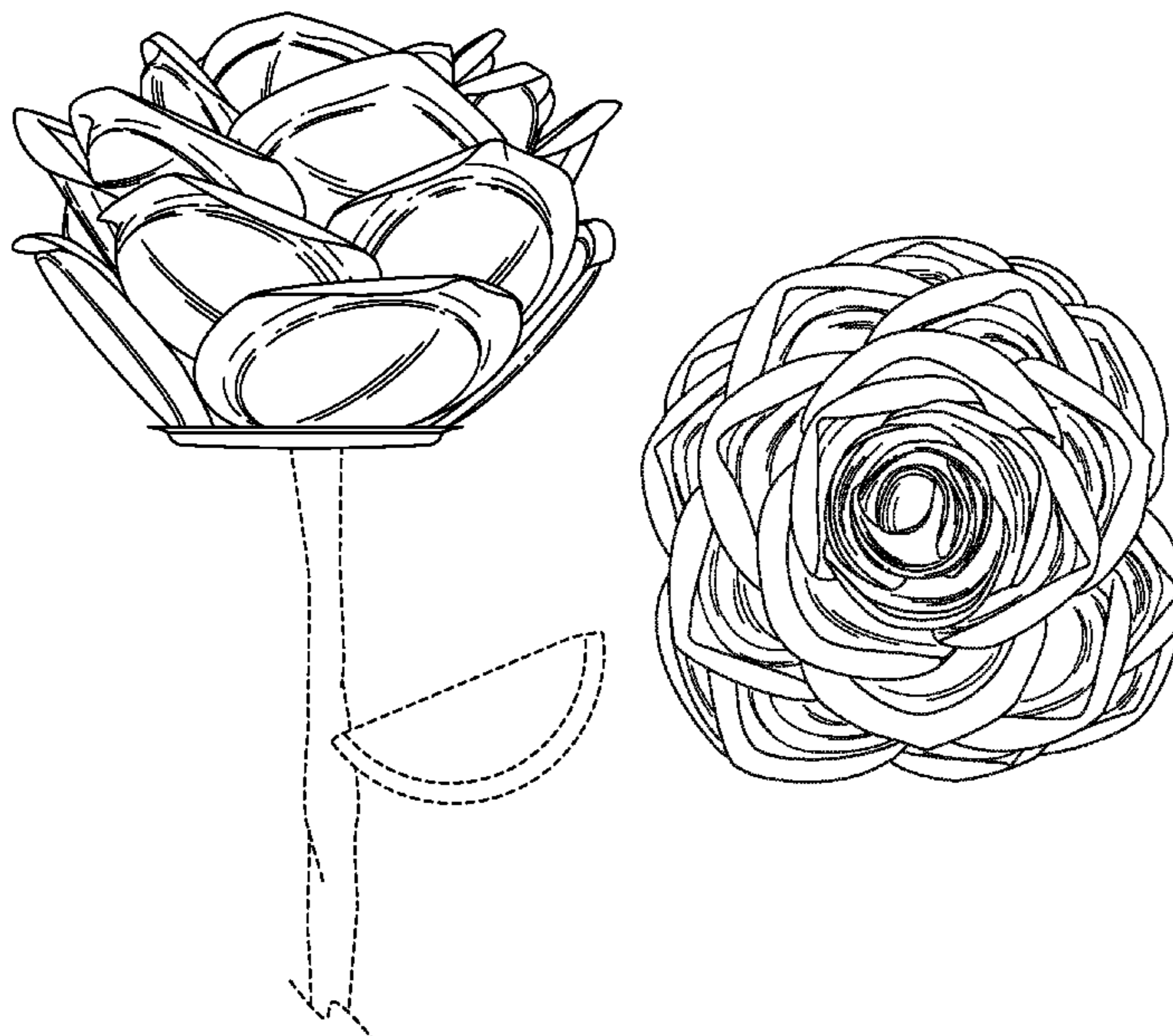
FIG. 10 is a left elevational view thereof

FIG. 11 is a top plan view thereof; and,

FIG. 12 is a bottom plan view thereof.

The broken lines in FIGS. 1 and 7 in the drawings indicate environmental structure which forms no part of the claimed design.

1 Claim, 12 Drawing Sheets



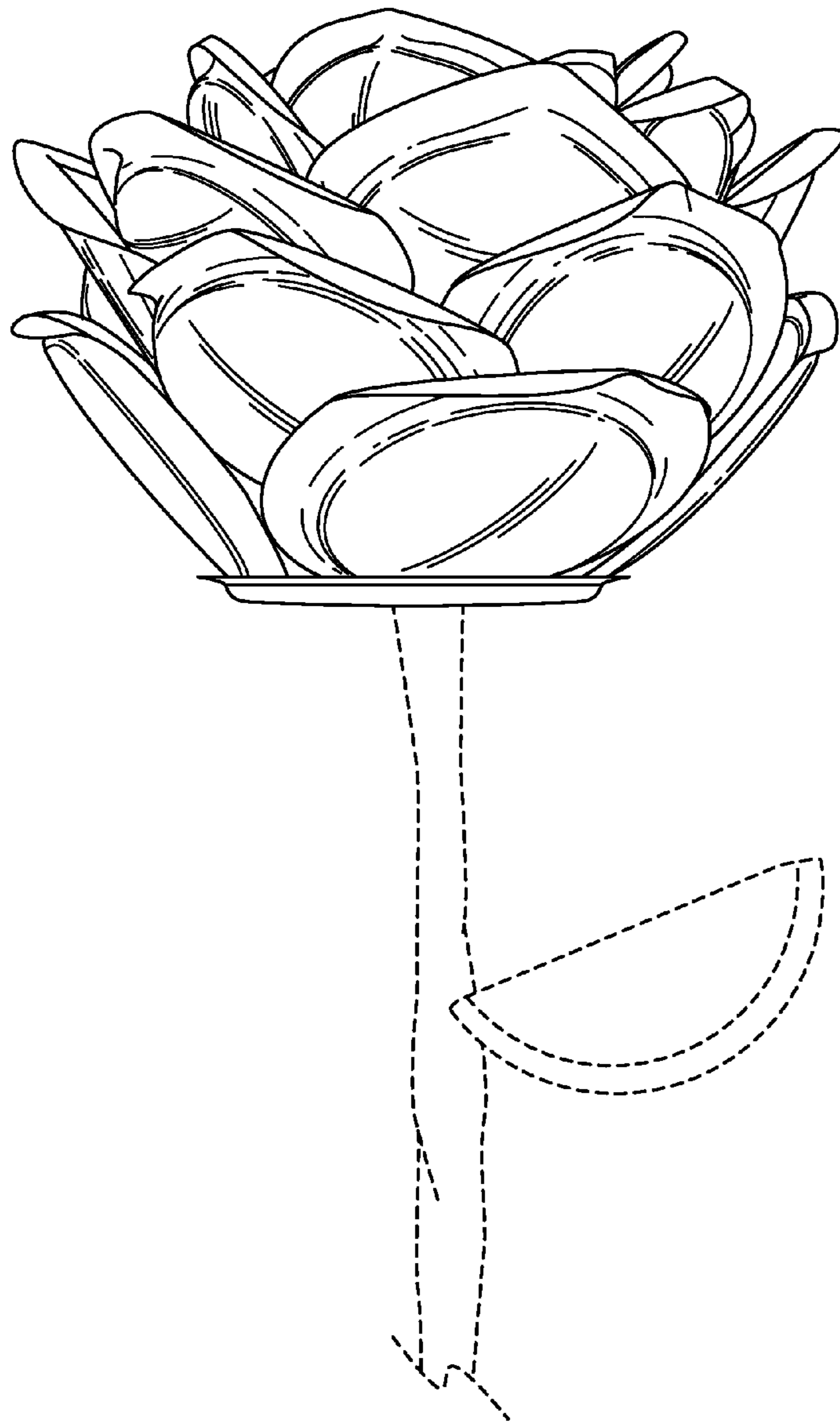


FIG. 1

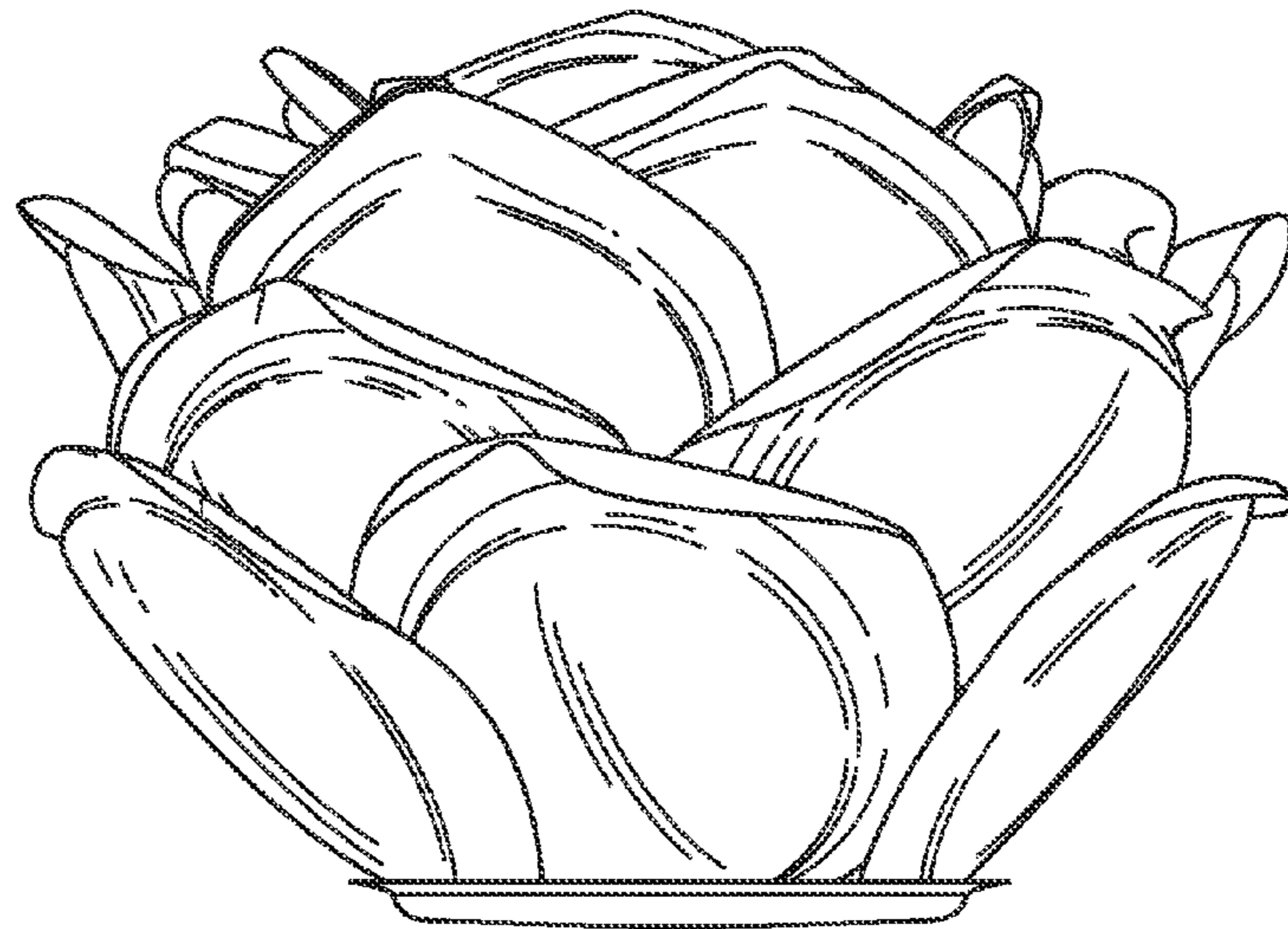


FIG. 2

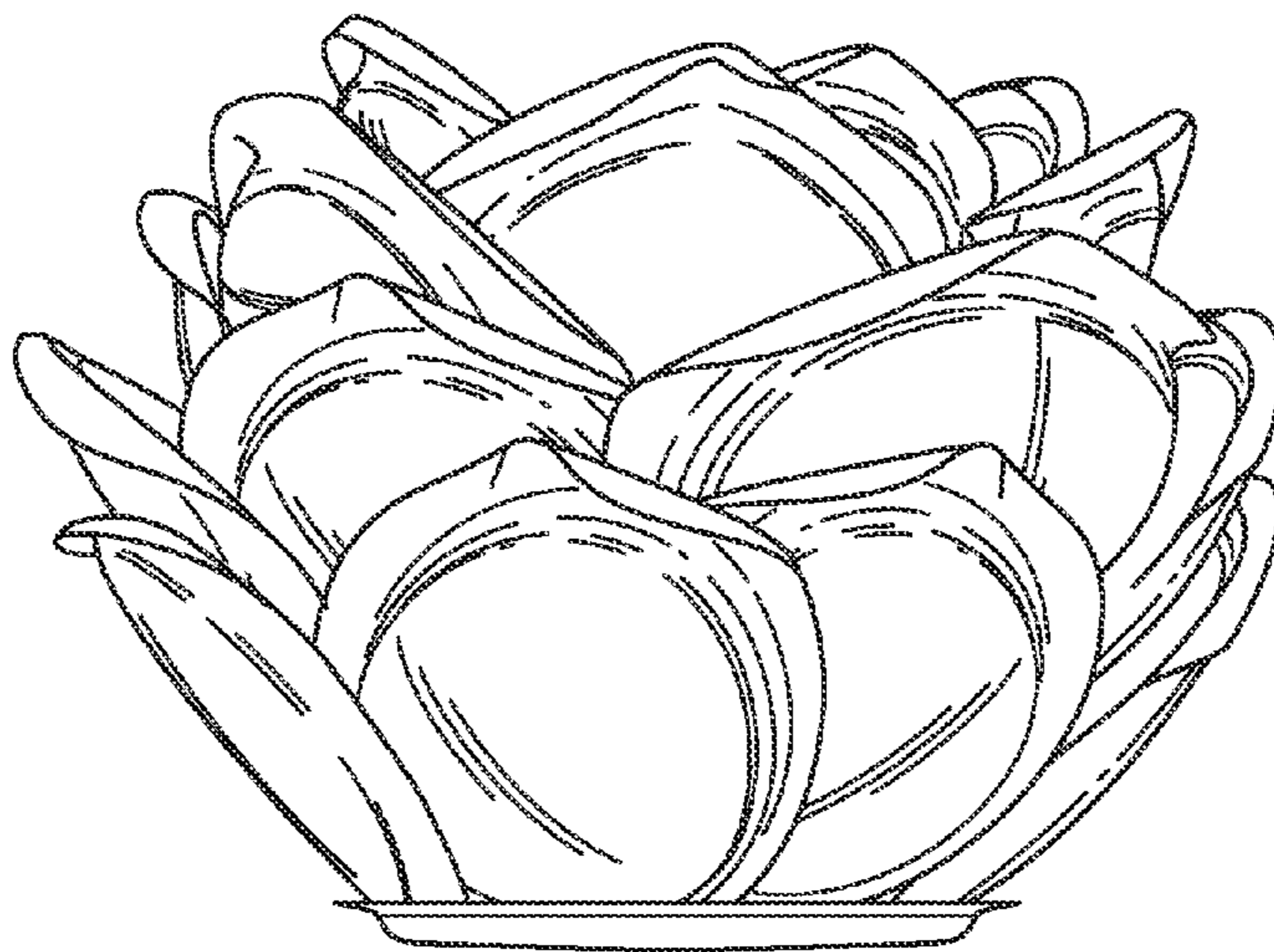


FIG. 3

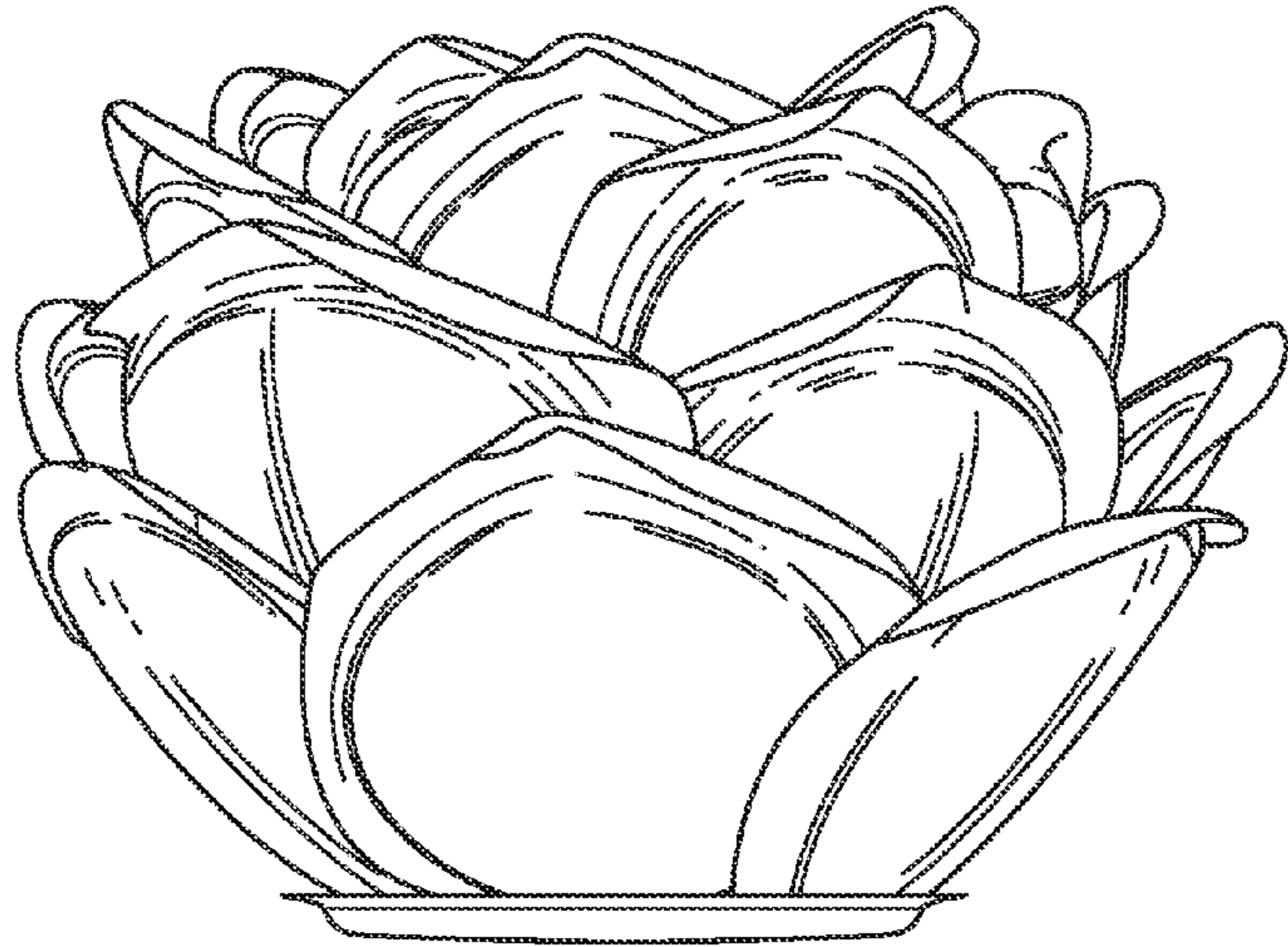


FIG. 4

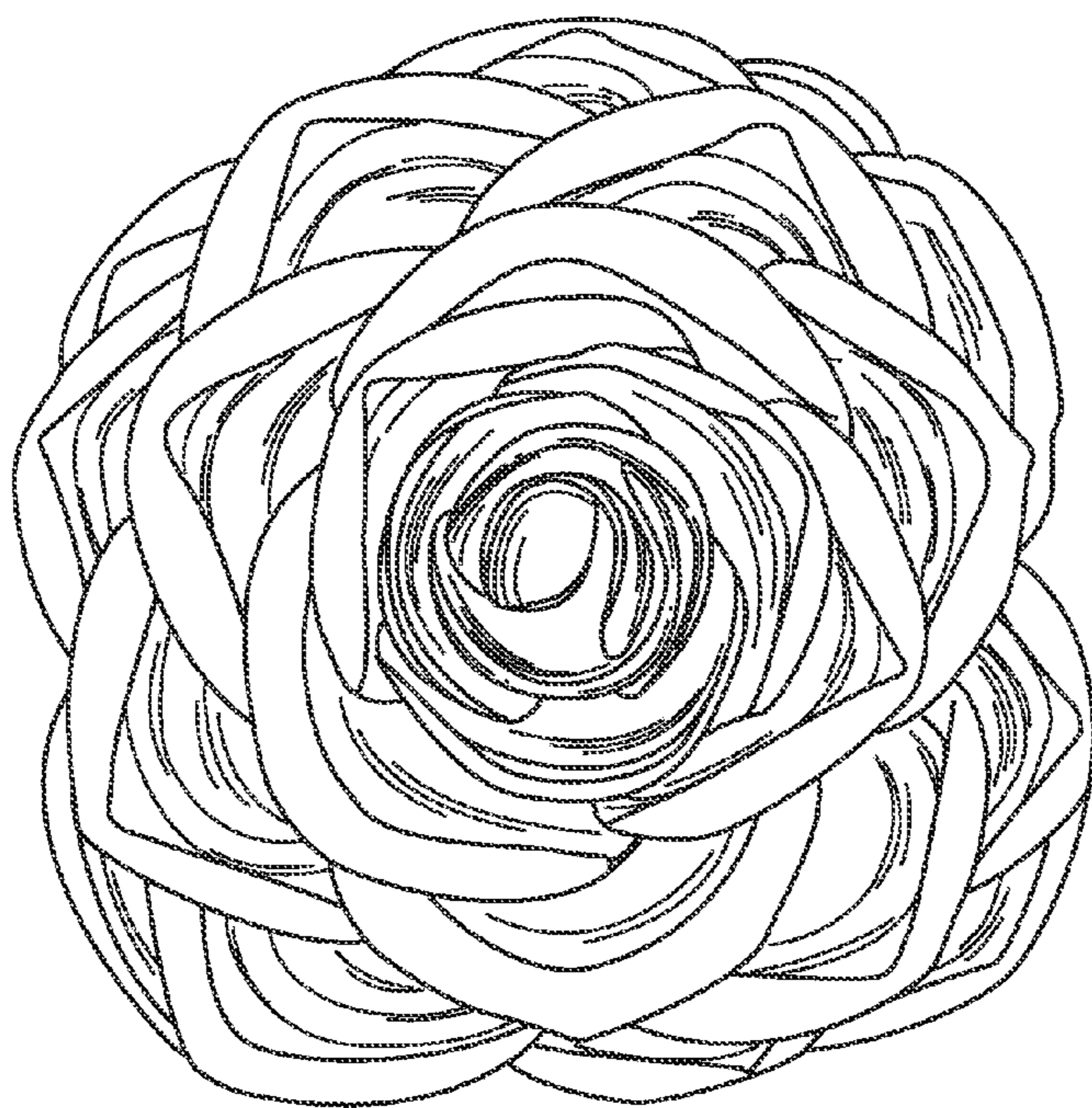


FIG. 5

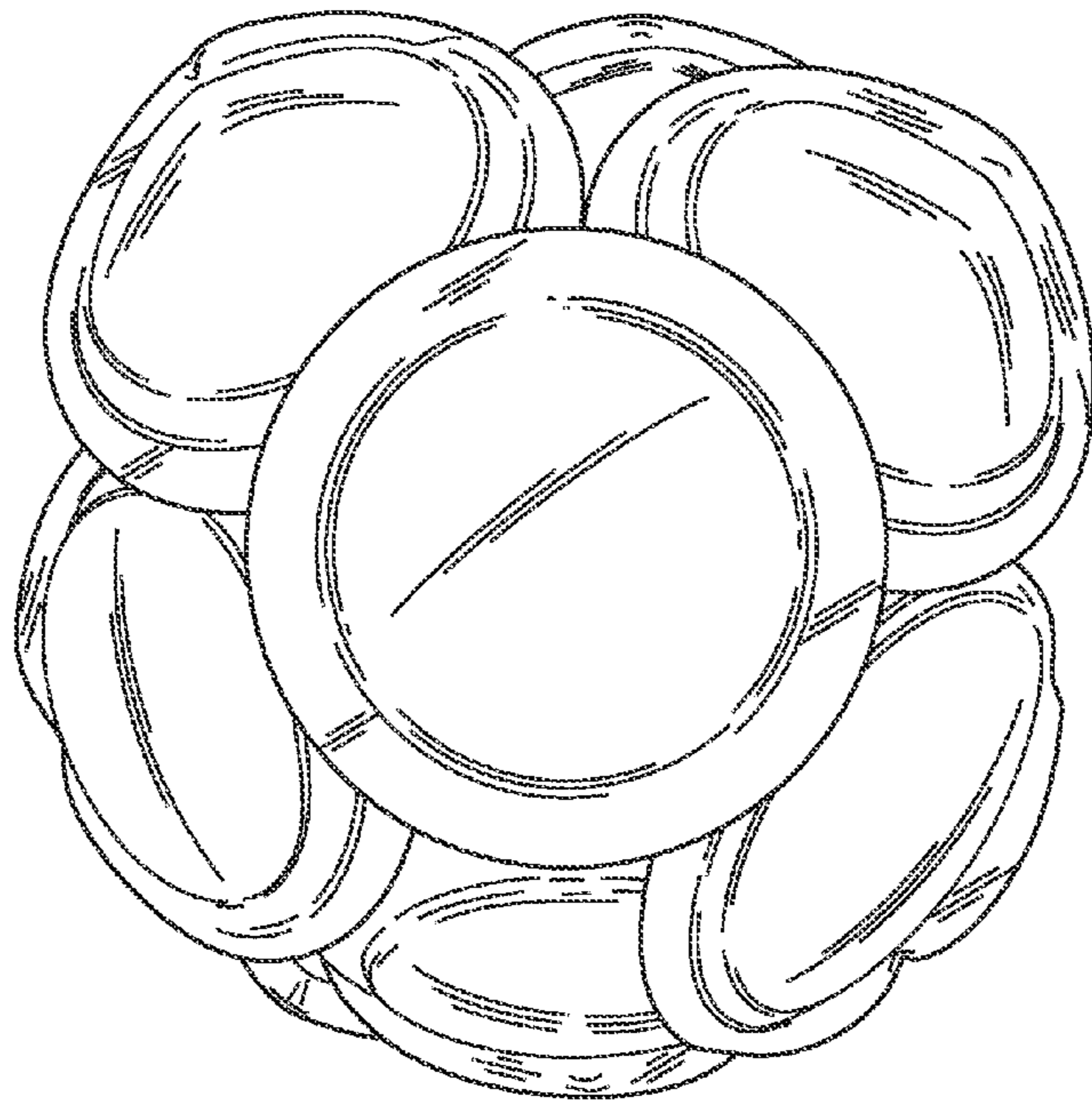


FIG. 6

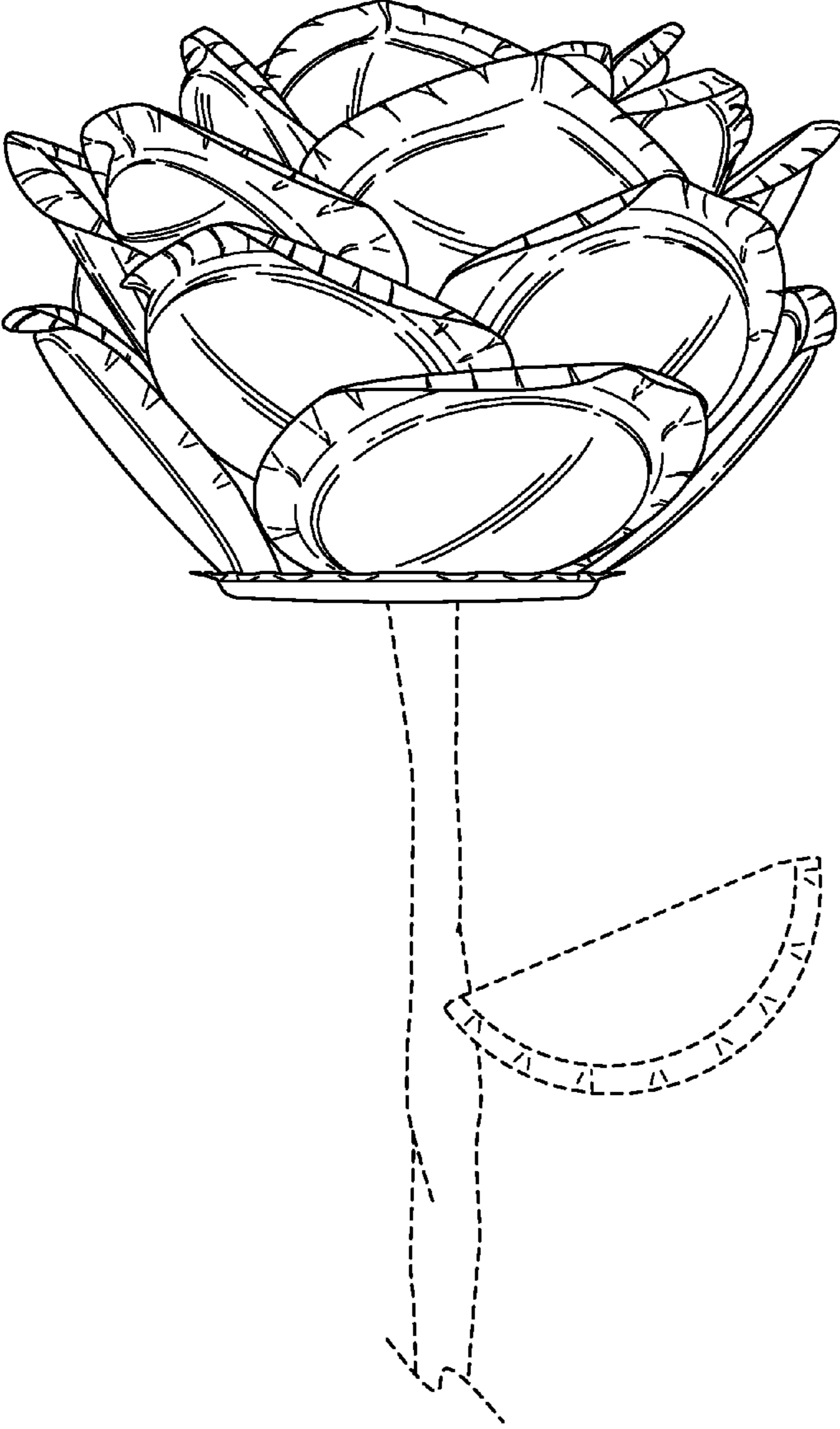


FIG. 7

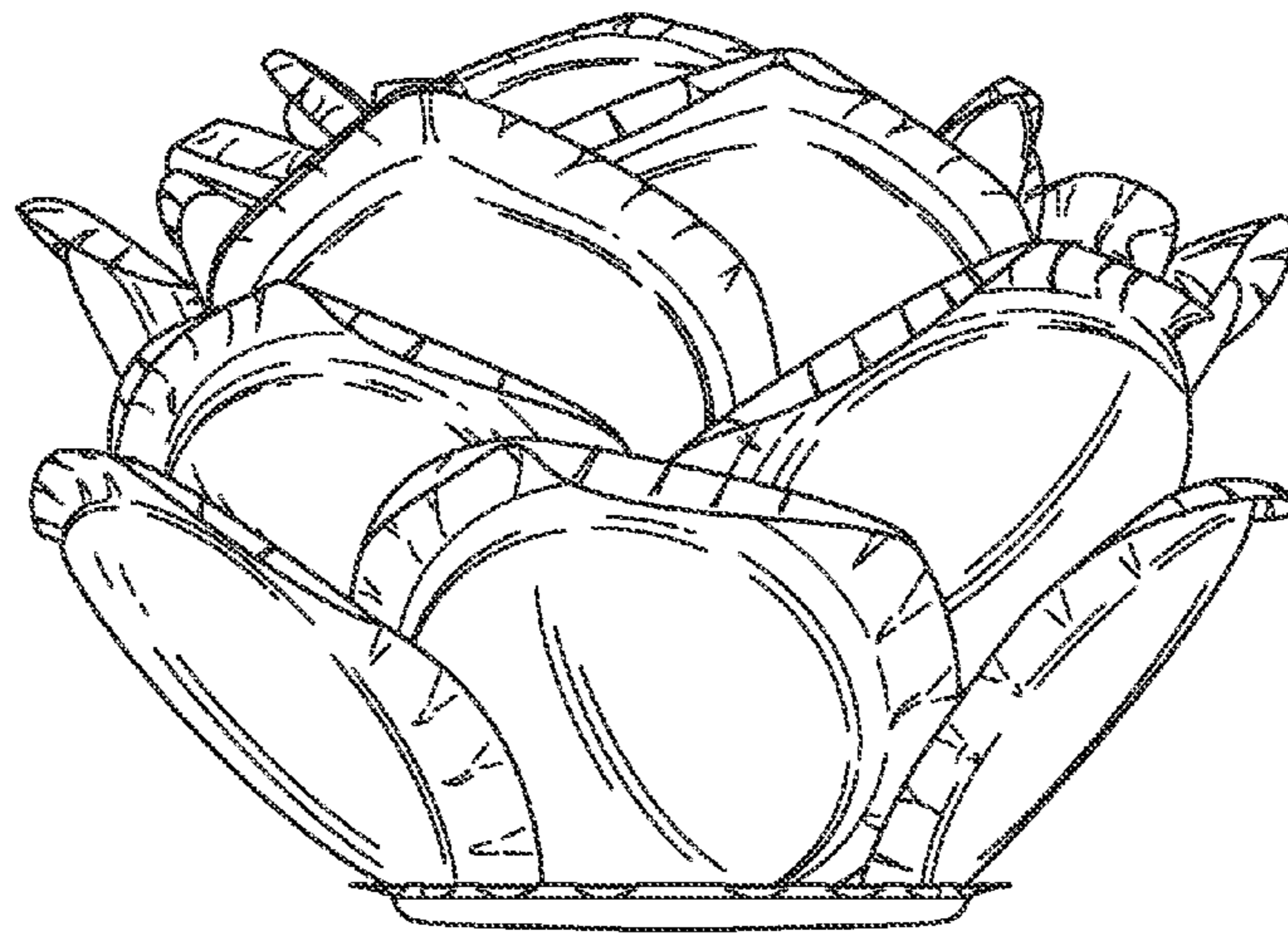


FIG. 8

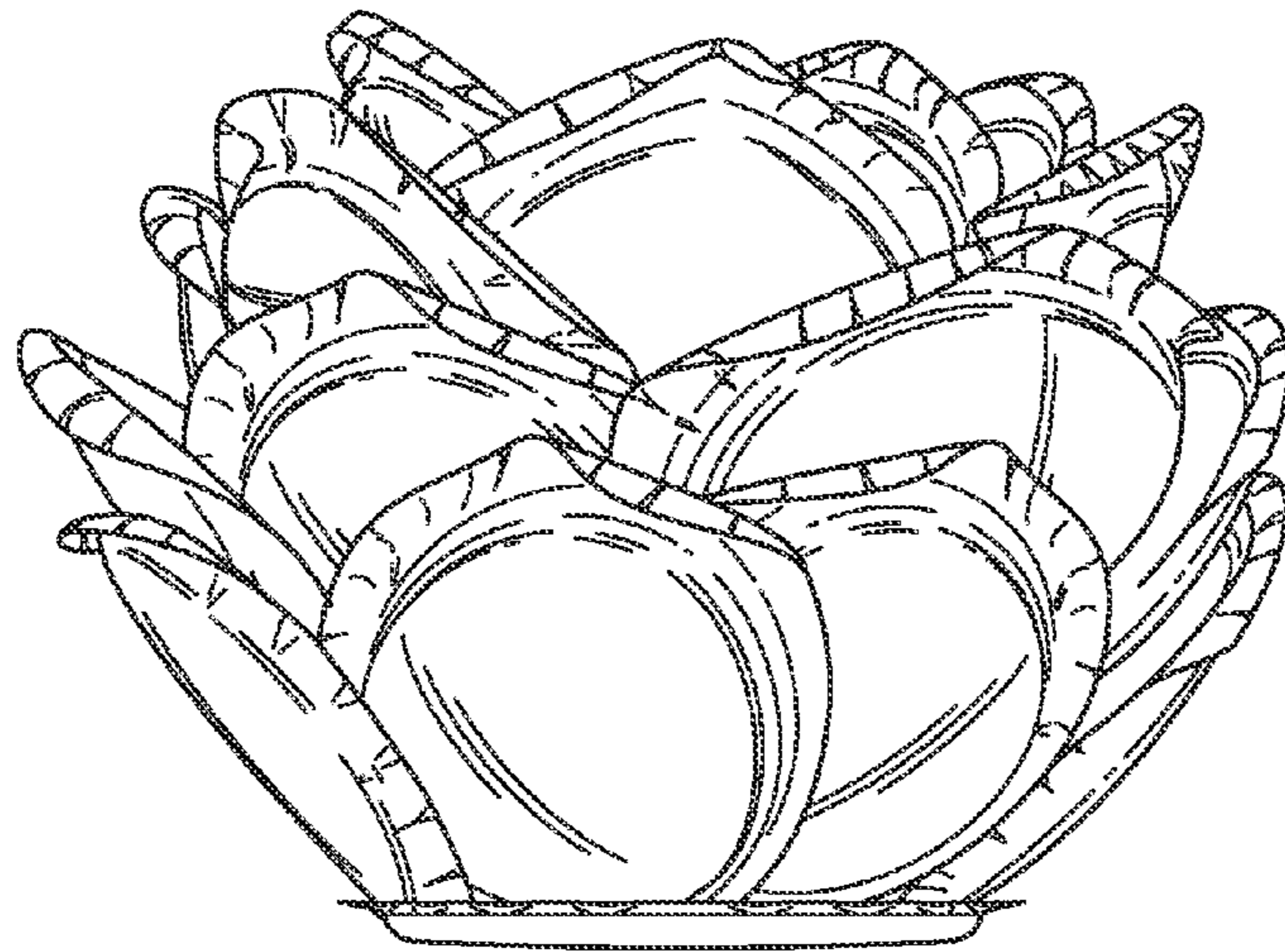


FIG. 9

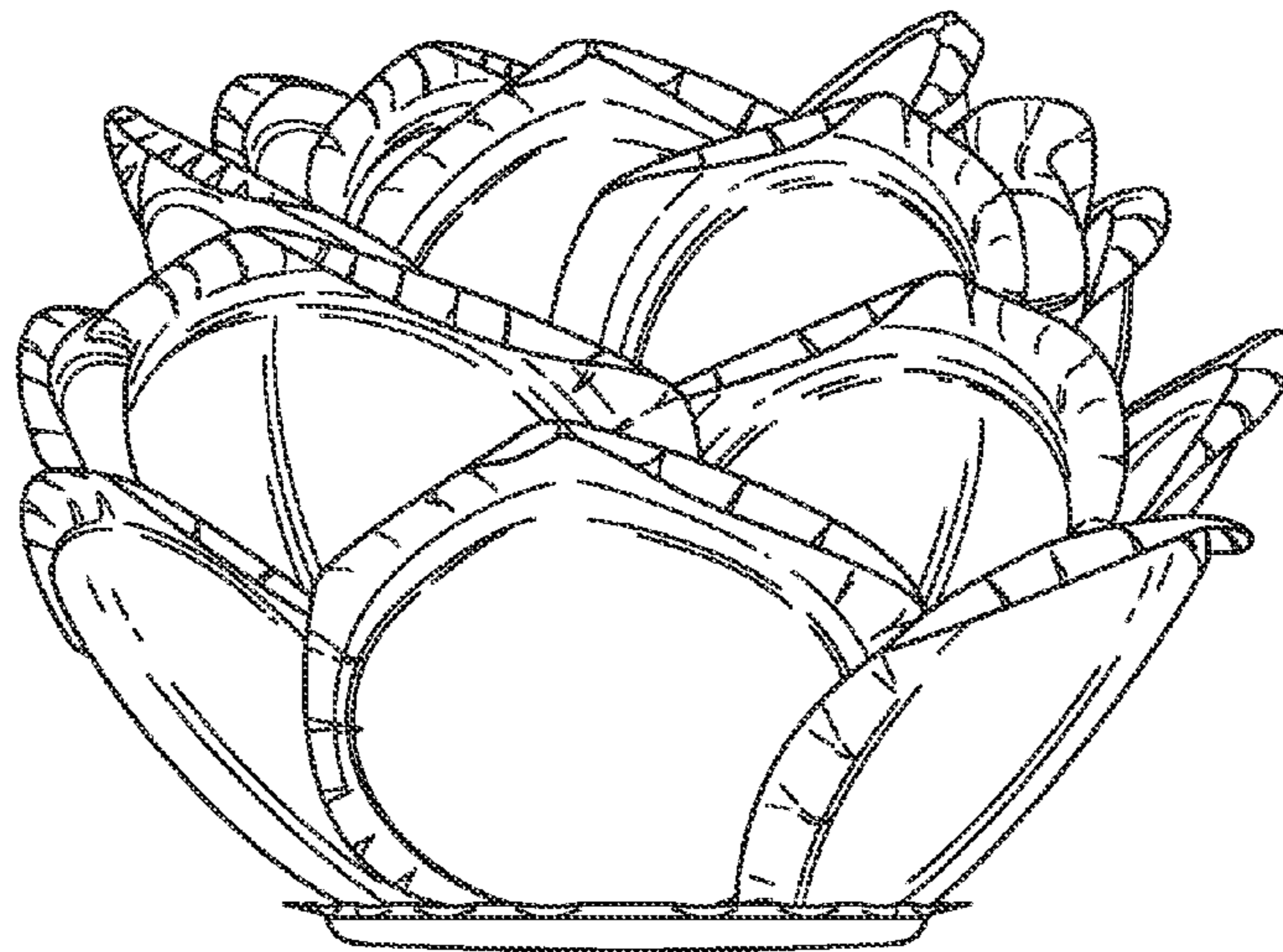


FIG. 10

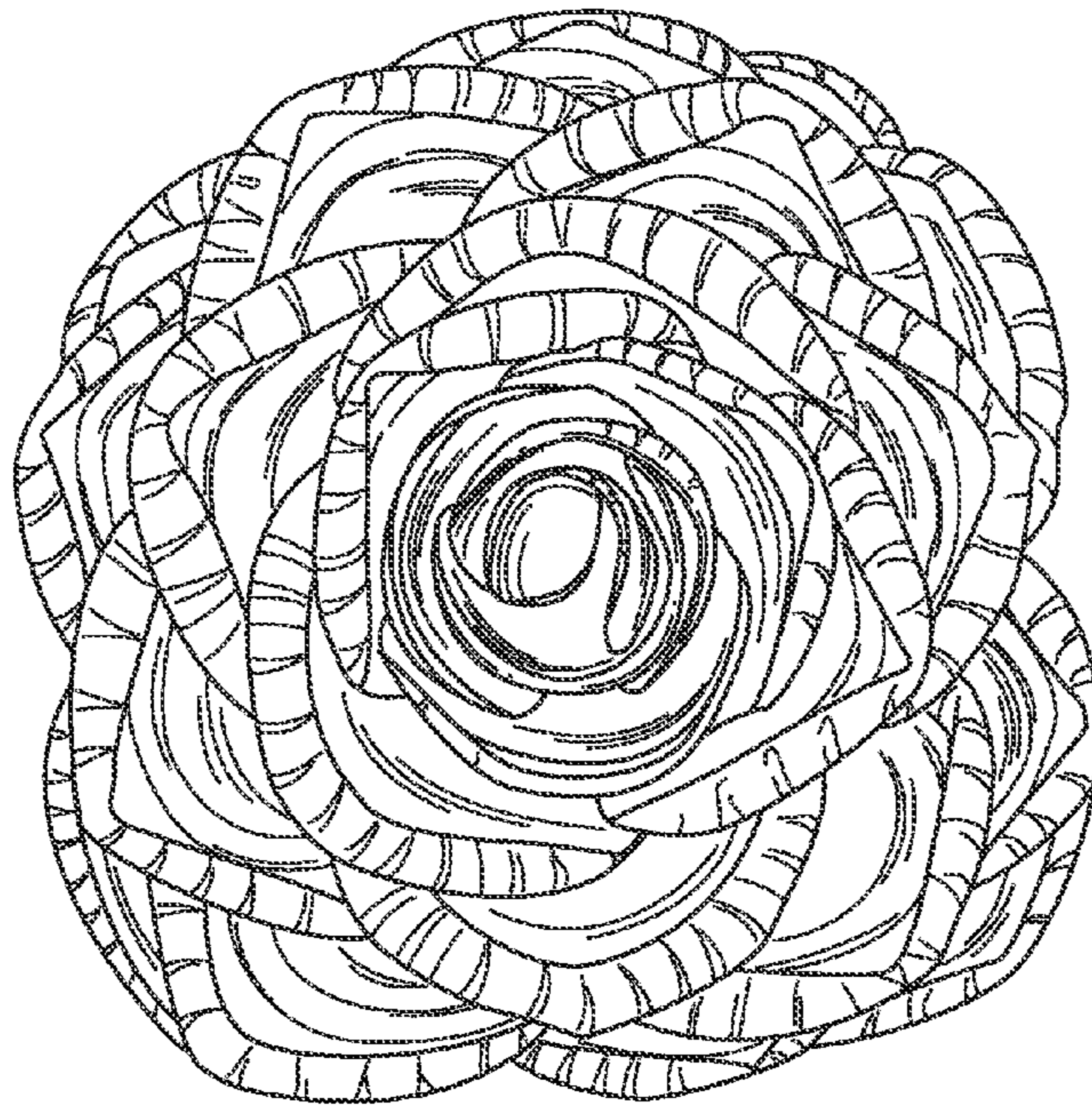


FIG. 11

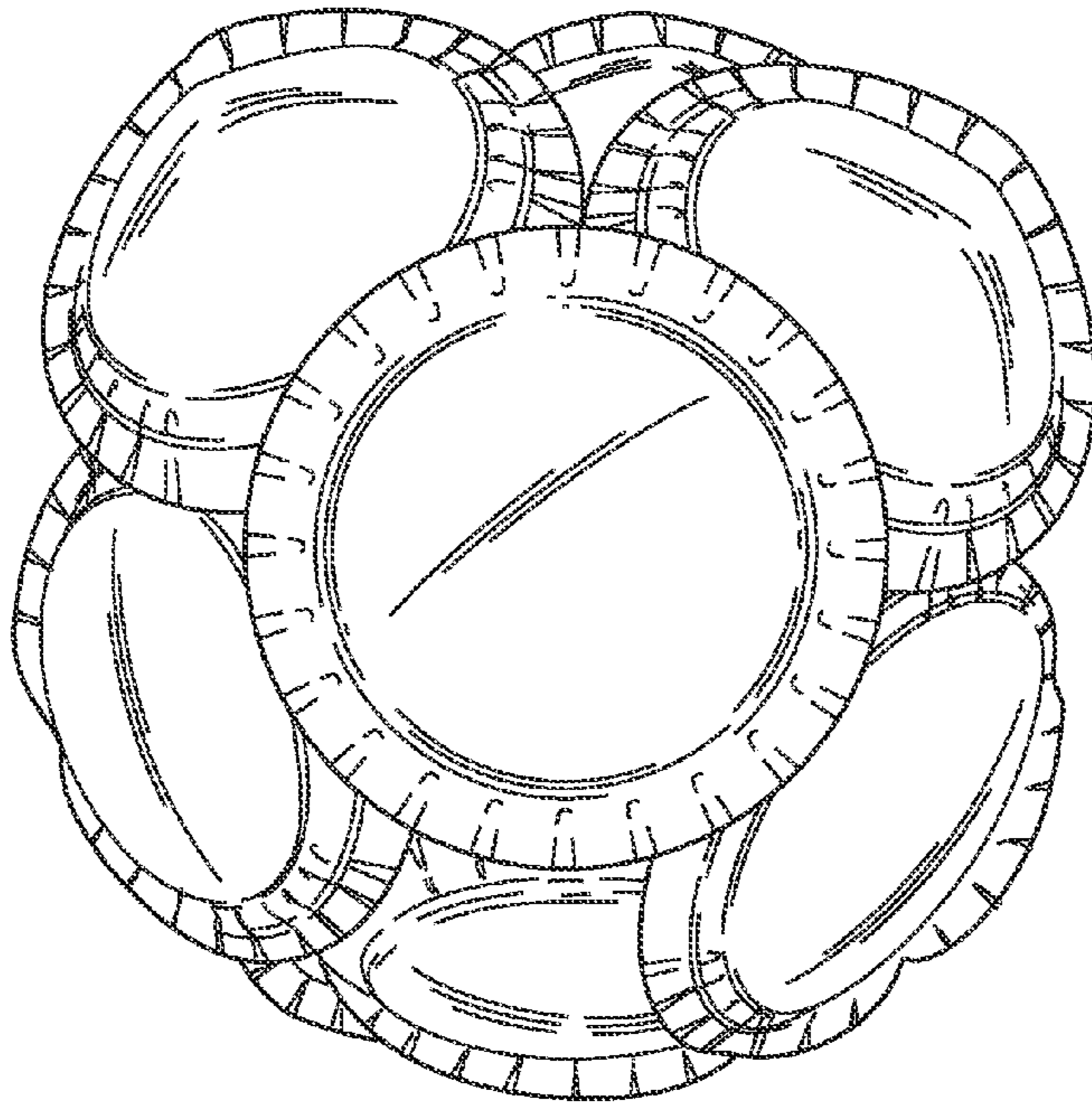


FIG. 12