



US00D687332S

(12) **United States Design Patent**
Nishizawa et al.

(10) **Patent No.:** **US D687,332 S**

(45) **Date of Patent:** **** Aug. 6, 2013**

(54) **TOY RING**

(71) Applicant: **Bandai Co., Ltd.**, Tokyo (JP)

(72) Inventors: **Kiyoto Nishizawa**, Tokyo (JP); **Osamu Abe**, Tokyo (JP); **Akira Onodera**, Tokyo (JP)

(73) Assignee: **Bandai Co., Ltd.**, Tokyo (JP)

(**) Term: **14 Years**

(21) Appl. No.: **29/440,200**

(22) Filed: **Dec. 19, 2012**

(30) **Foreign Application Priority Data**

Jun. 20, 2012 (JP) 2012-014708

(51) **LOC (9) Cl.** **11-01**

(52) **U.S. Cl.**
USPC **D11/26**

(58) **Field of Classification Search**
USPC D11/1-25, 26-39; 63/15, 15.1-15.4,
63/15.45, 15.5, 15.6, 15.65, 29.1, 29.2;
D21/420, 426, 588, 578, 579
See application file for complete search history.

(56) **References Cited**

U.S. PATENT DOCUMENTS

D66,901 S * 3/1925 Suderov 63/15
2,309,541 A * 1/1943 Rowan 63/15
4,309,879 A * 1/1982 Gretz et al. 63/29.1

4,571,199 A * 2/1986 Murakami 446/73
D342,740 S * 12/1993 Parker D11/4
D461,739 S * 8/2002 Jongsoonthornthurakit .. D11/26
D565,990 S * 4/2008 Allin D11/26
D569,294 S * 5/2008 Bonoli D11/26
D639,199 S * 6/2011 Liberman et al. D11/26
D644,140 S * 8/2011 Bulgari D11/26

* cited by examiner

Primary Examiner — Jennifer Rivard

Assistant Examiner — Melanie Pellegrini

(74) *Attorney, Agent, or Firm* — Rabin & Berdo, P.C.

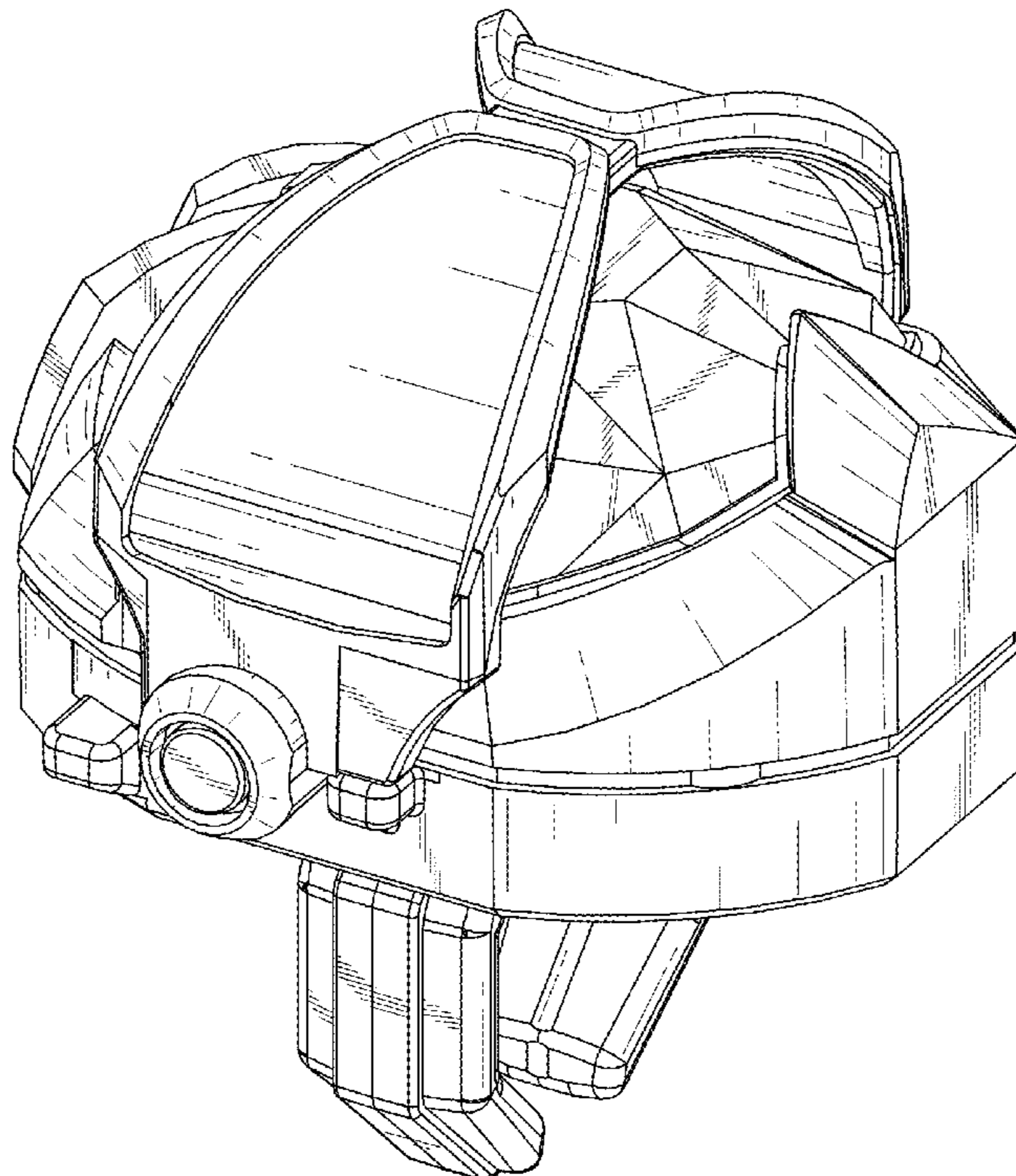
(57) **CLAIM**

The ornamental design for a toy ring, as shown and described.

DESCRIPTION

FIG. 1 is a perspective view of a toy ring;
FIG. 2 is another perspective view thereof;
FIG. 3 is a front view thereof;
FIG. 4 is a rear view thereof;
FIG. 5 is a top view thereof;
FIG. 6 is a bottom view thereof;
FIG. 7 is a right side view thereof;
FIG. 8 is a left side view thereof;
FIG. 9 is a perspective view in a transformed state thereof;
FIG. 10 is another perspective view in a transformed state thereof; and,
FIG. 11 is a front view in a transformed state thereof.
The features shown in broken lines form no part of the claimed design.

1 Claim, 11 Drawing Sheets



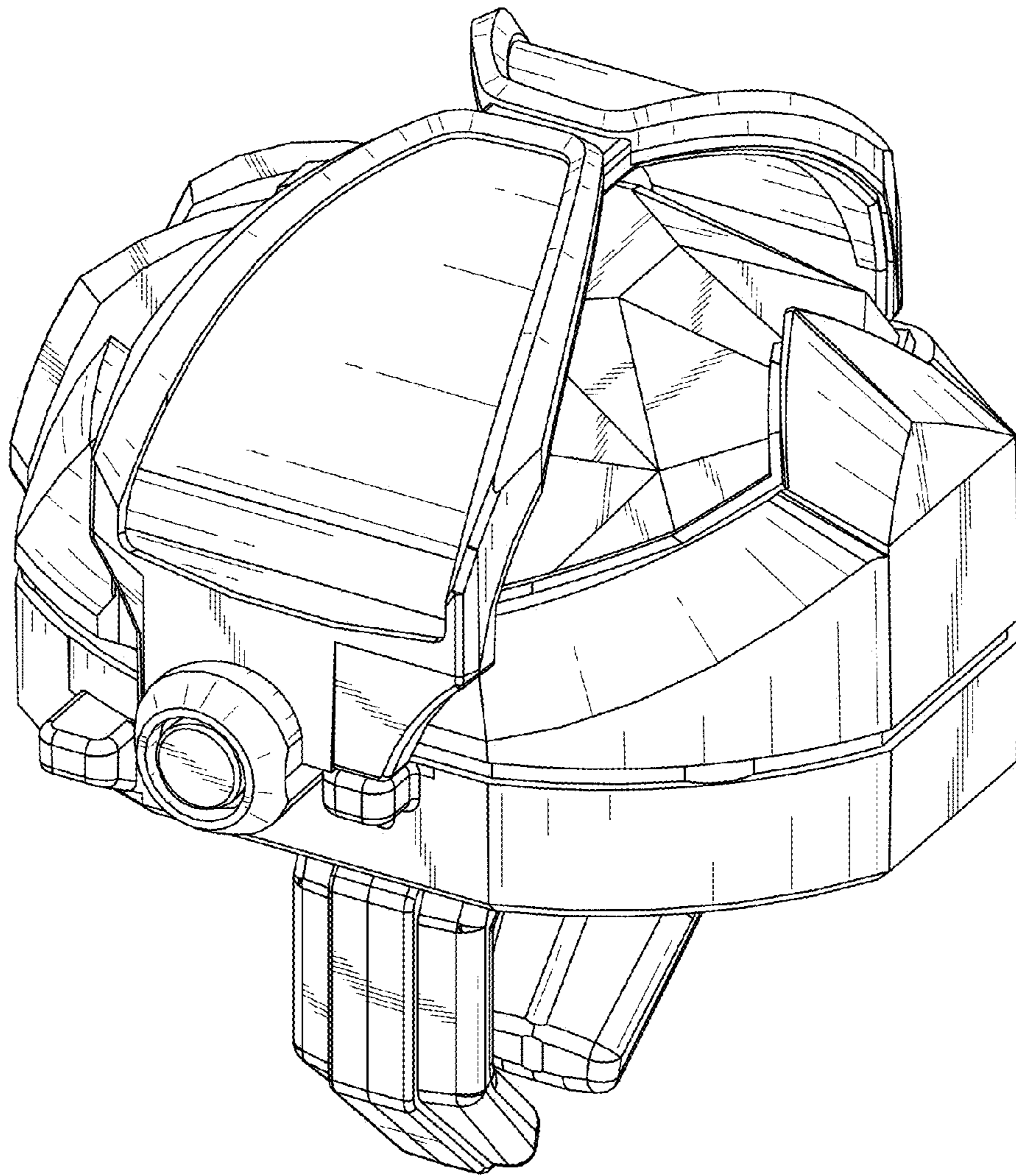


FIG. 1

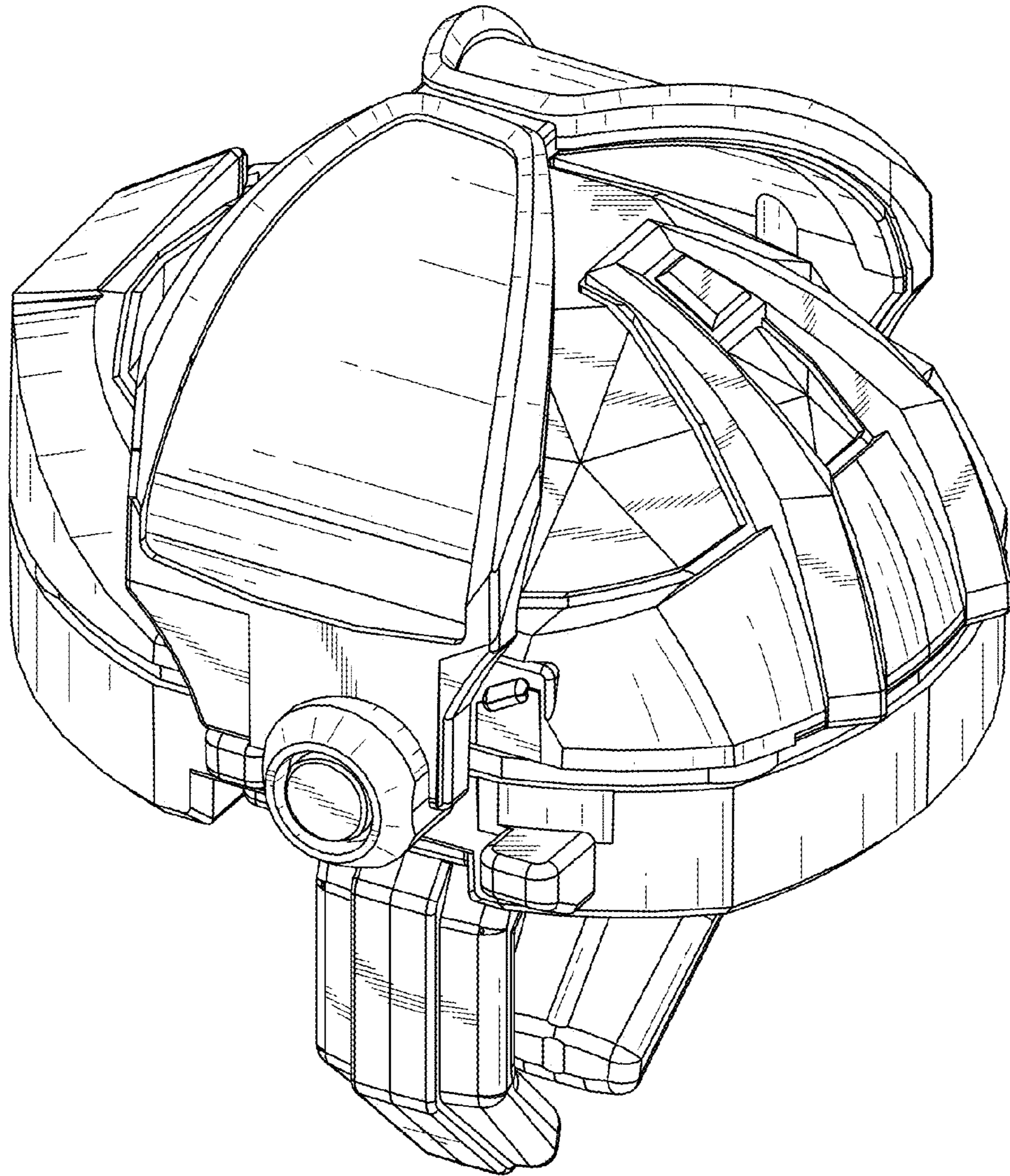


FIG. 2

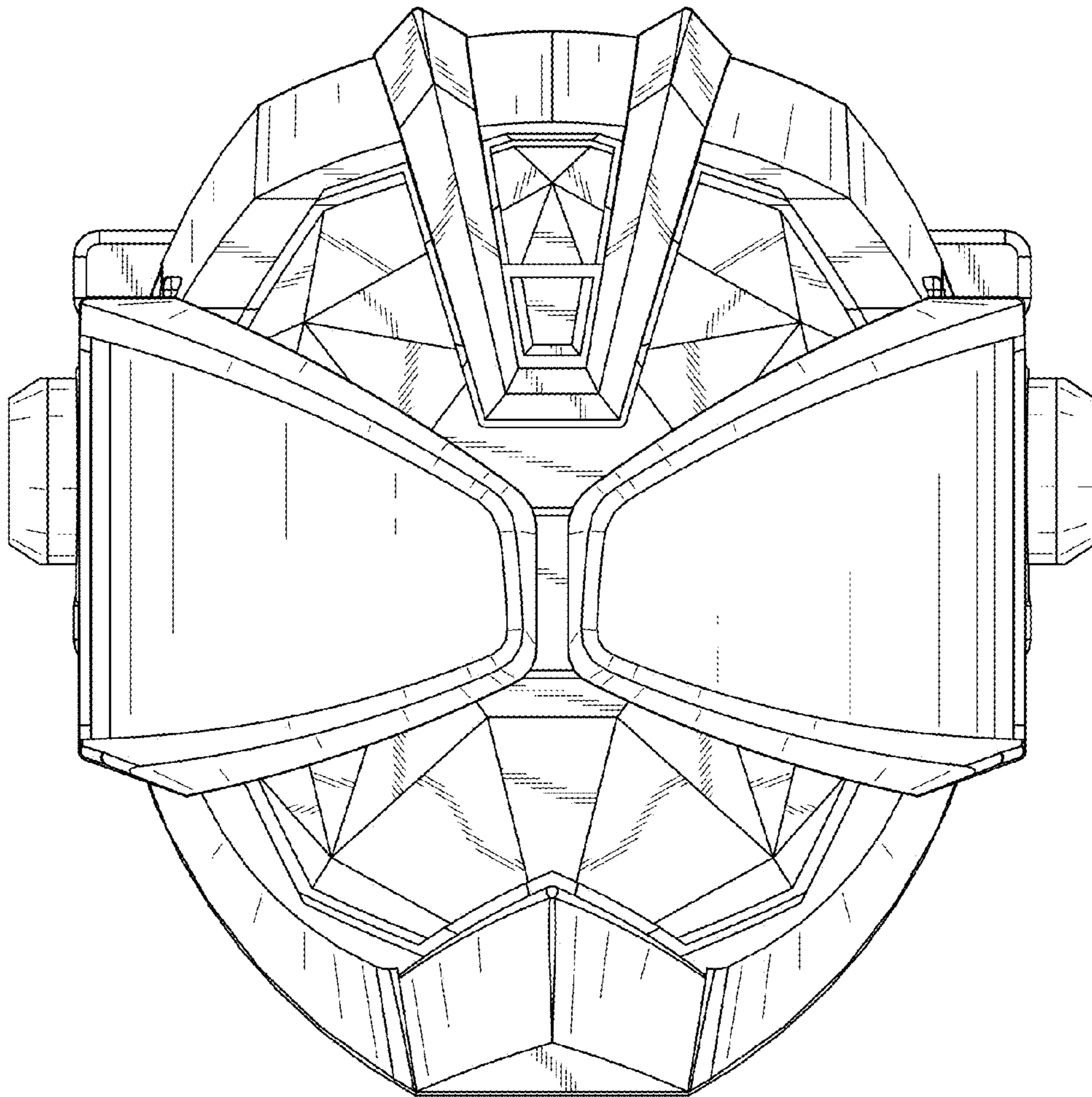


FIG. 3

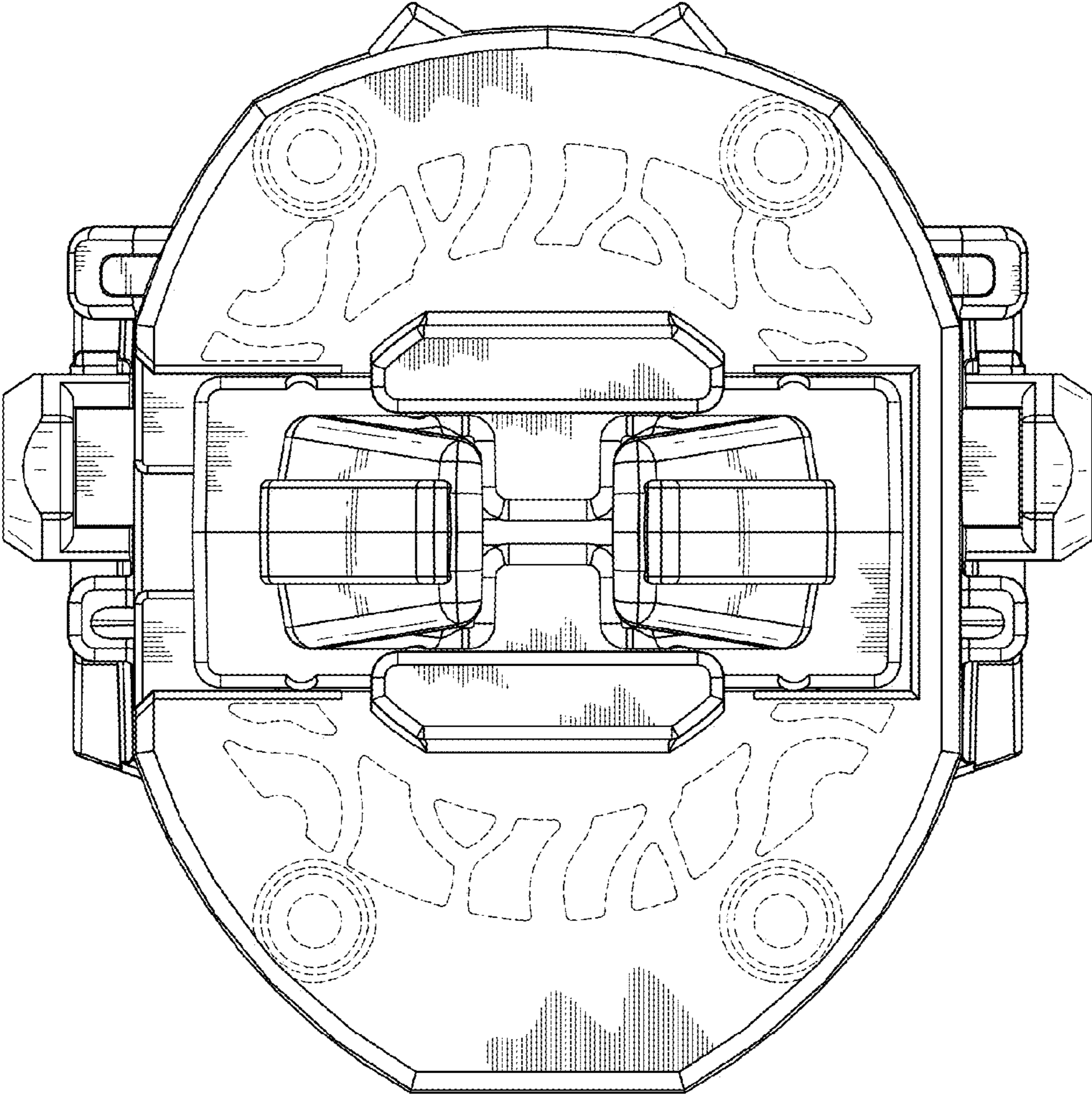


FIG. 4

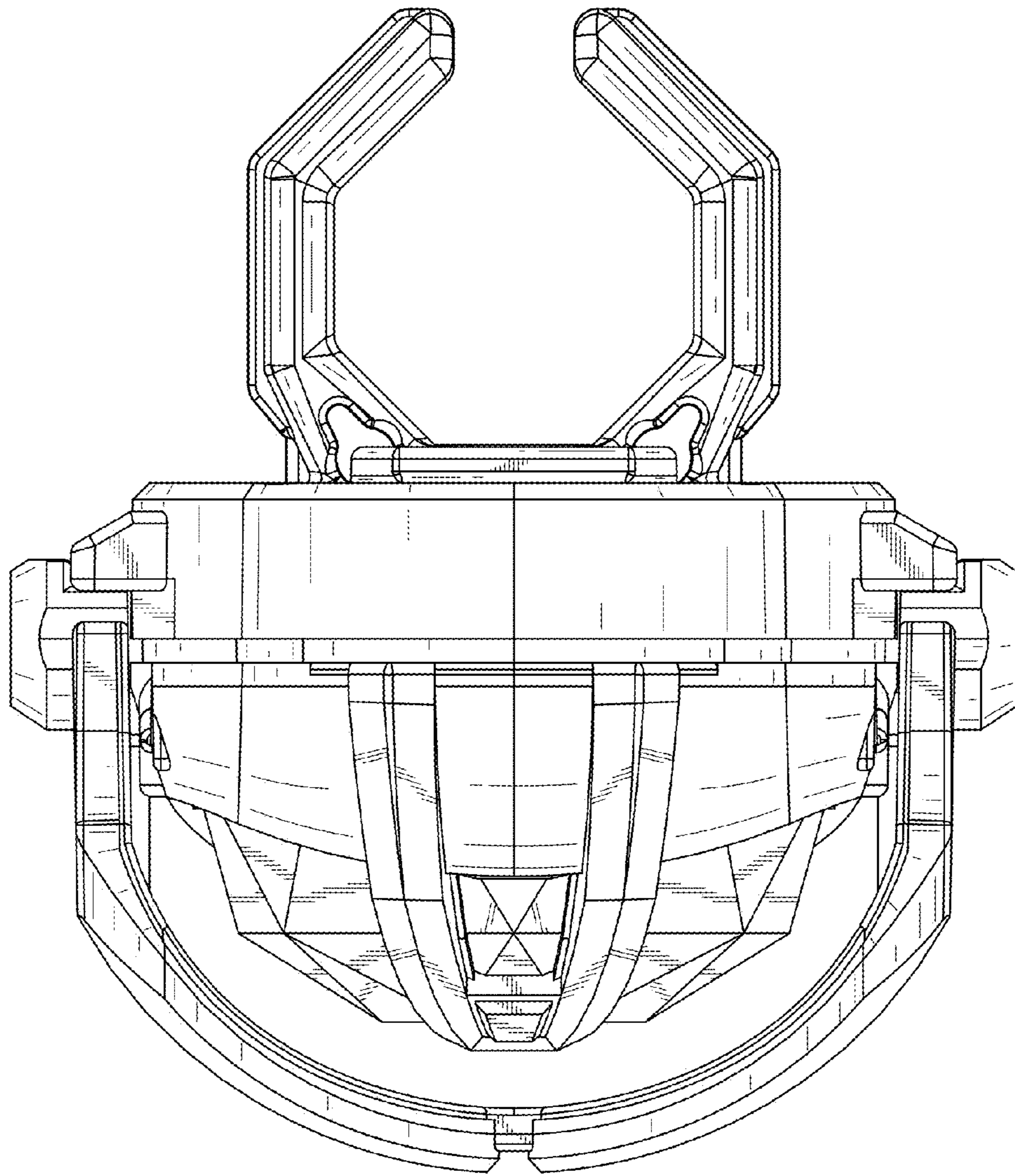


FIG. 5

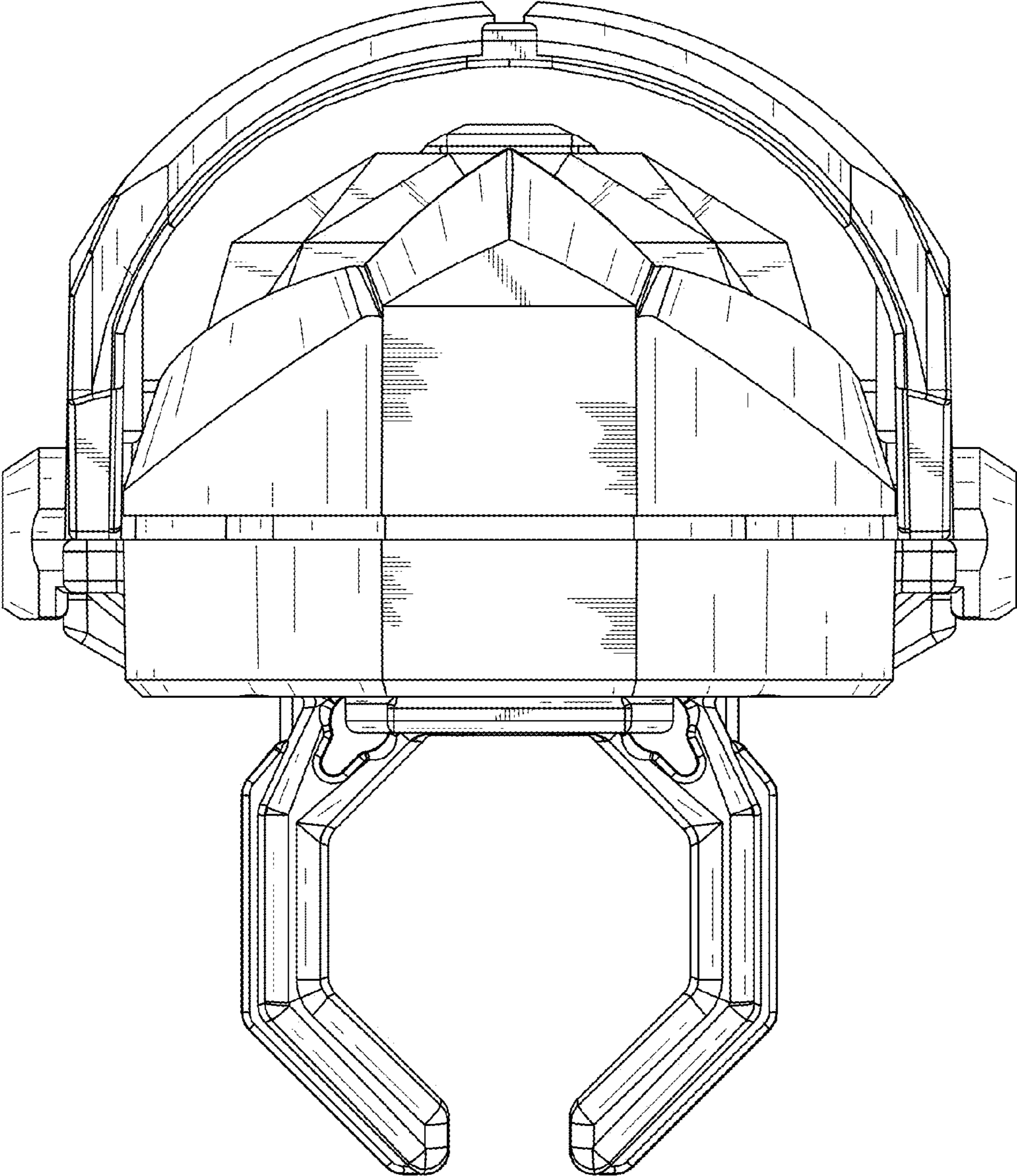


FIG. 6

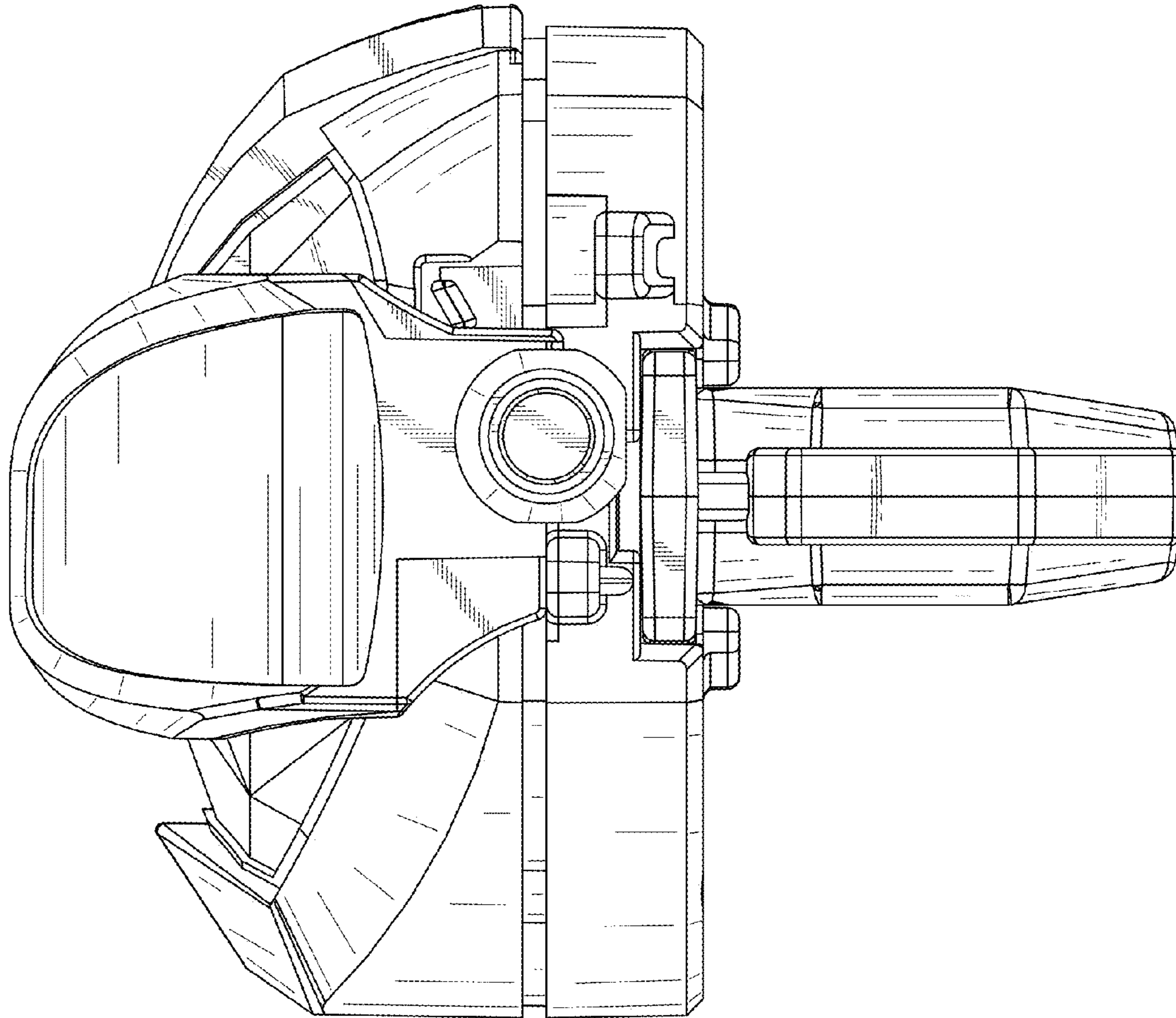


FIG. 7

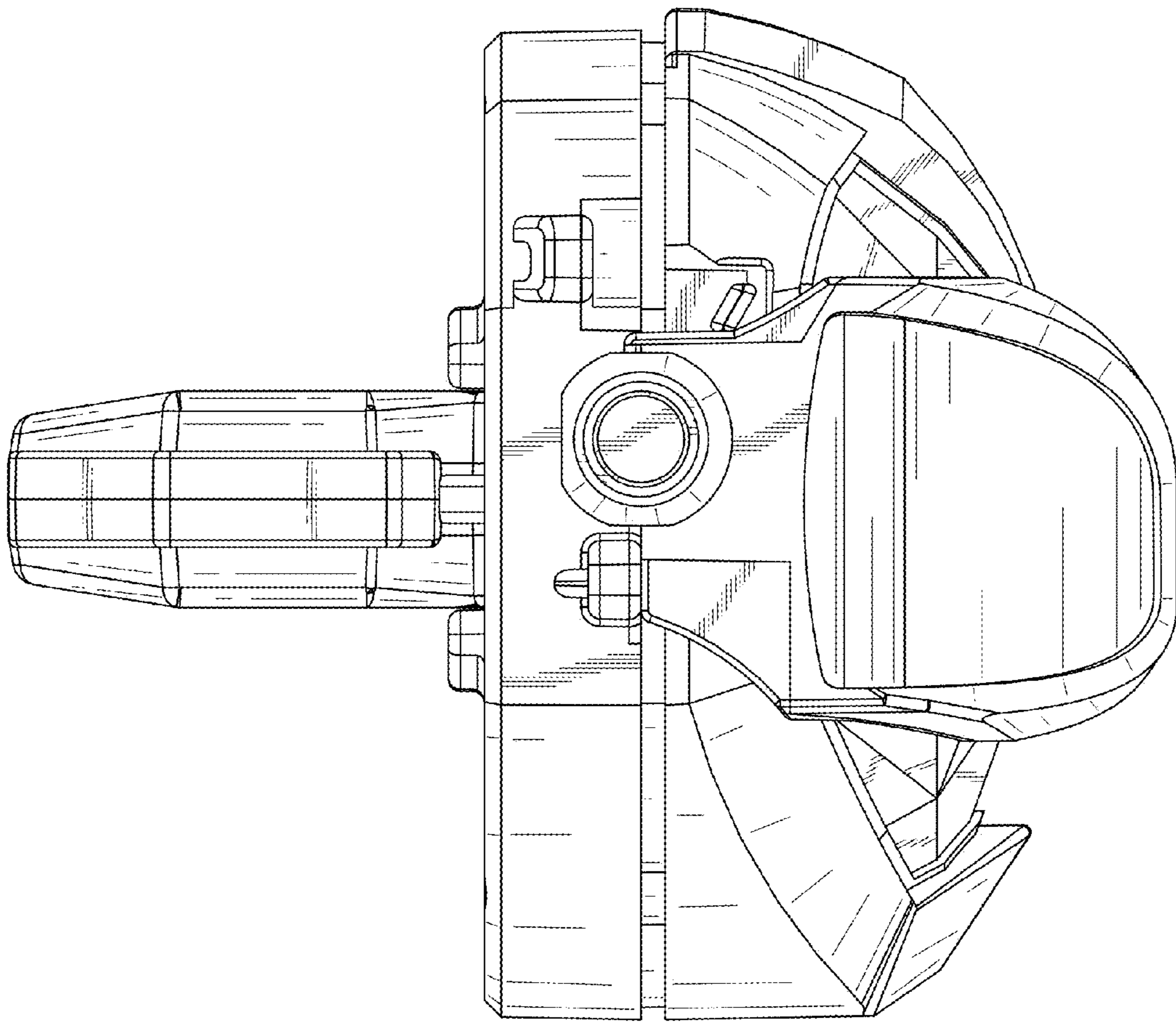


FIG. 8

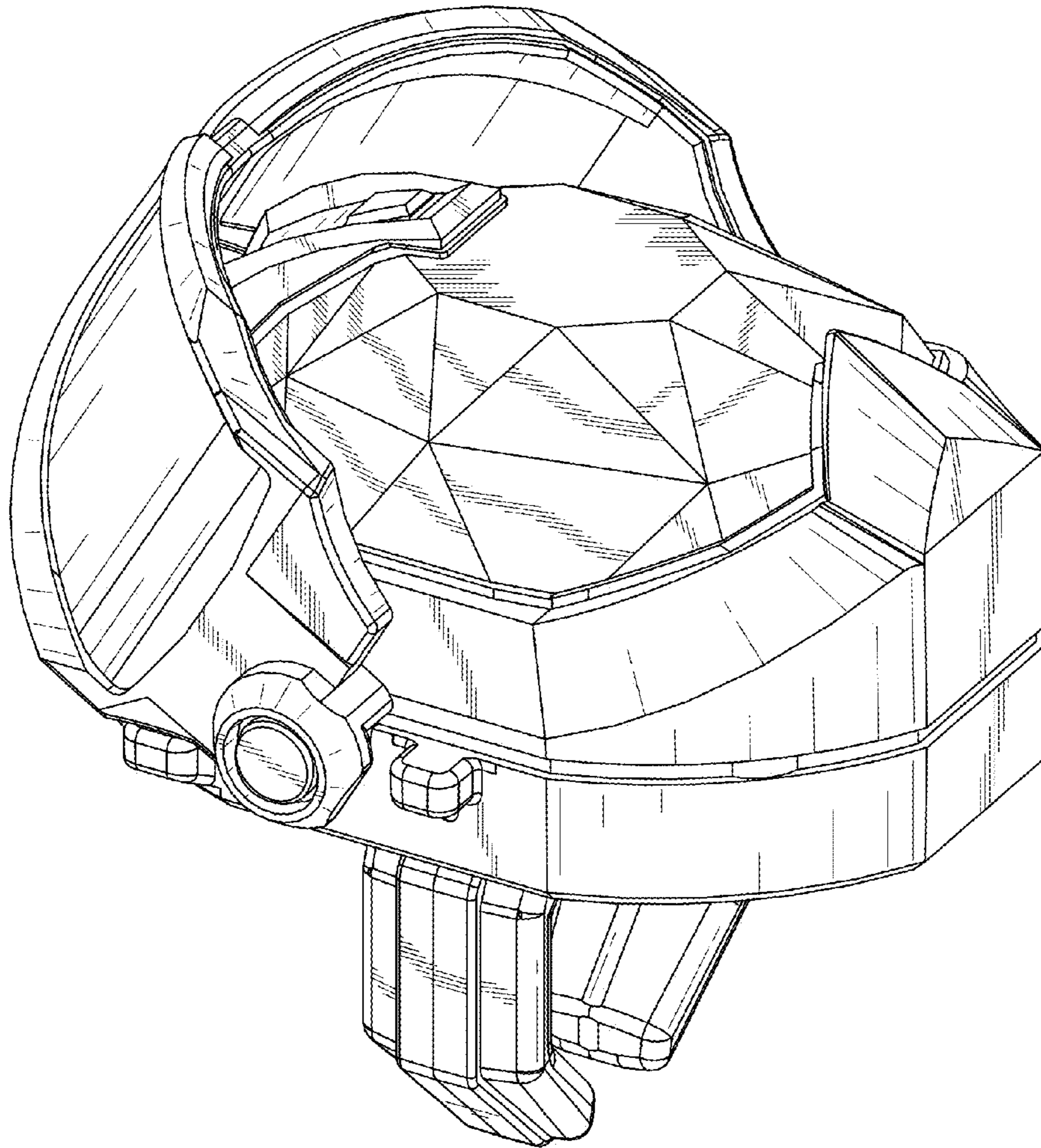


FIG. 9

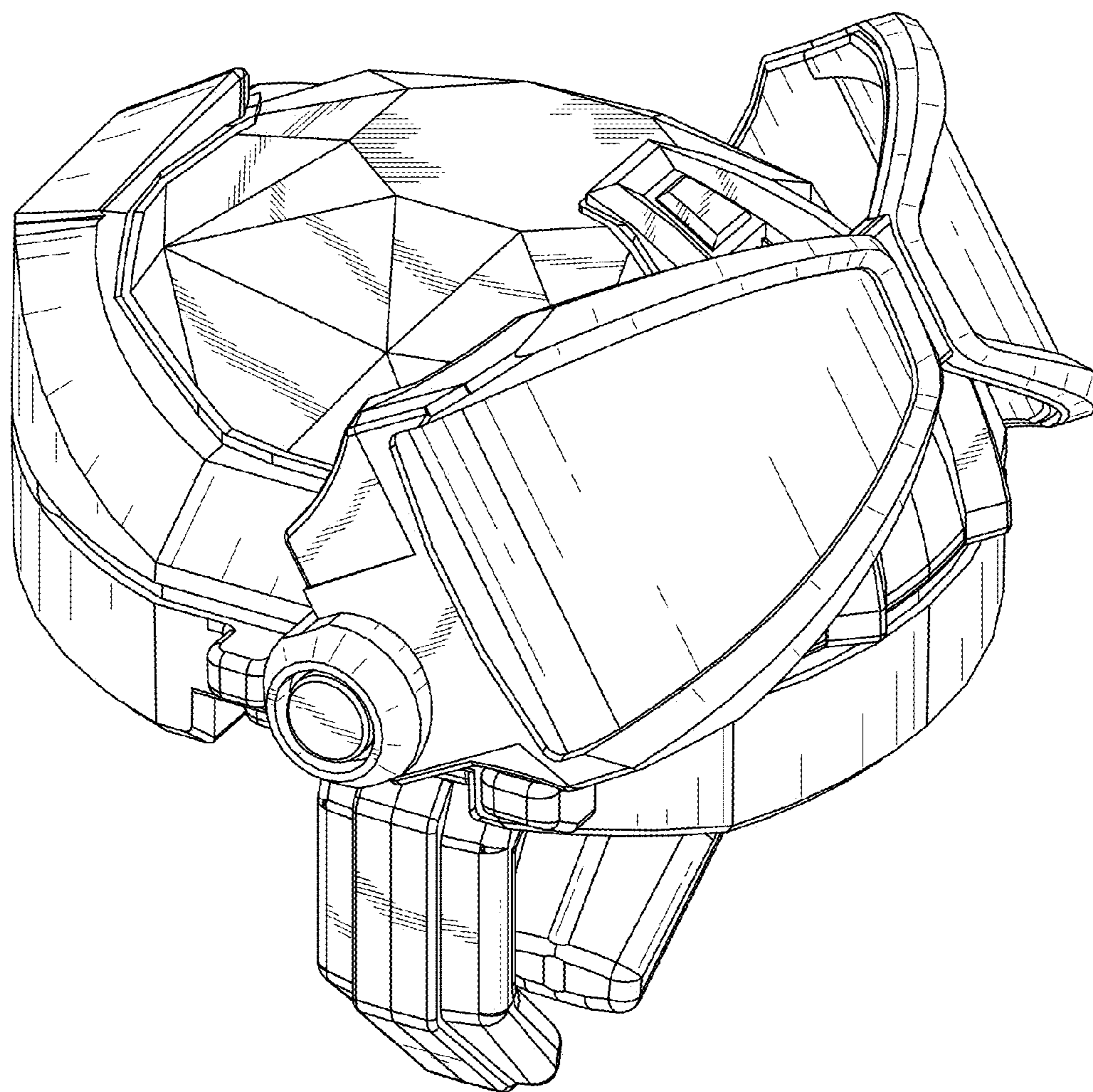


FIG. 10

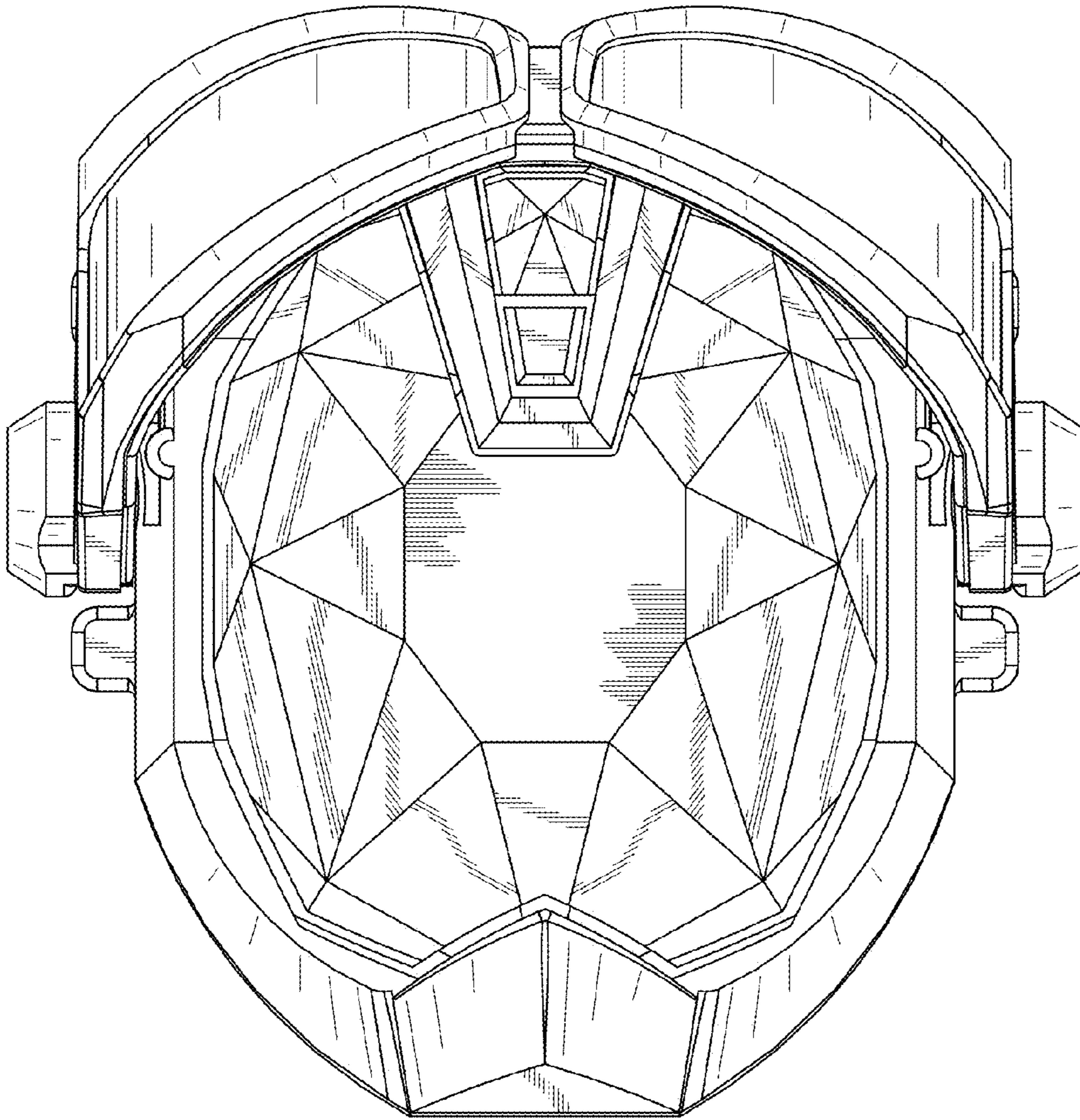


FIG. 11