



US00D687328S

(12) **United States Design Patent**  
**Clymer et al.**

(10) **Patent No.:** **US D687,328 S**  
(45) **Date of Patent:** **\*\* Aug. 6, 2013**

(54) **WIRELESS SENSOR**

(75) Inventors: **Erica L. Clymer**, Nazareth, PA (US);  
**Brandon L. Szoke**, Walnutport, PA (US)

(73) Assignee: **Lutron Electronics Co., Inc.**,  
Coopersburg, PA (US)

(\*\*) Term: **14 Years**

(21) Appl. No.: **29/420,270**

(22) Filed: **May 7, 2012**

(51) **LOC (9) Cl.** ..... **10-04**

(52) **U.S. Cl.**  
USPC ..... **D10/70; D10/104.1**

(58) **Field of Classification Search**  
USPC ..... D10/70, 104.1; 235/105; 377/5,  
377/24.2, 26; 73/514.33, 514.34, 510, 513,  
73/527, 530; 702/155, 160, 176, 78, 79, 82,  
702/91, 92-95, 104, 116, 141, 150, 151,  
702/154, 127, 131, 182, 183, 189; 324/522;  
345/165, 156, 905; 600/437, 443, 453, 459,  
600/465, 479, 500, 502, 595, 485, 481, 483;  
307/112, 116, 117, 125, 139, 140, 32;  
340/825.3, 825.31, 825.32, 825.34, 825.36,  
340/506, 508, 517, 539, 541, 565, 587, 521,  
340/522, 567; 700/11, 14, 22, 28, 275; 315/119,  
315/149-159, 360, 362, 120, 291, 224, 307,  
315/142, 292; 362/1, 4, 5

See application file for complete search history.

(56) **References Cited**

U.S. PATENT DOCUMENTS

D308,647 S *	6/1990	Mayo .....	D10/104.1
D346,981 S	5/1994	Ratzlaff	
D367,622 S	3/1996	DeWitt	
D516,043 S	2/2006	Jacoby et al.	
D558,692 S	1/2008	Neveu	
D561,707 S	2/2008	Neveu	
D562,224 S	2/2008	Bonnaud	
D563,866 S	3/2008	Bonnaud	
D597,430 S	8/2009	Sloan et al.	
D602,388 S	10/2009	Killo et al.	
D603,284 S	11/2009	Sloan et al.	
7,800,498 B2 *	9/2010	Leonard et al. ....	340/568.2
D627,671 S *	11/2010	Gonzales .....	D10/81
D631,770 S	2/2011	Killo et al.	
D635,476 S	4/2011	Killo et al.	
8,228,184 B2 *	7/2012	Blakeley et al. ....	340/539.1

\* cited by examiner

*Primary Examiner* — Antoine D Davis

(74) *Attorney, Agent, or Firm* — Mark E. Rose; Phillip N. Smith; Bridget L. McDonough

(57) **CLAIM**

We claim the ornamental design for a wireless sensor, as shown and described.

**DESCRIPTION**

FIG. 1 is a perspective view of a wireless sensor according to our new design.

FIG. 2 is a front view thereof.

FIG. 3 is a left side view thereof.

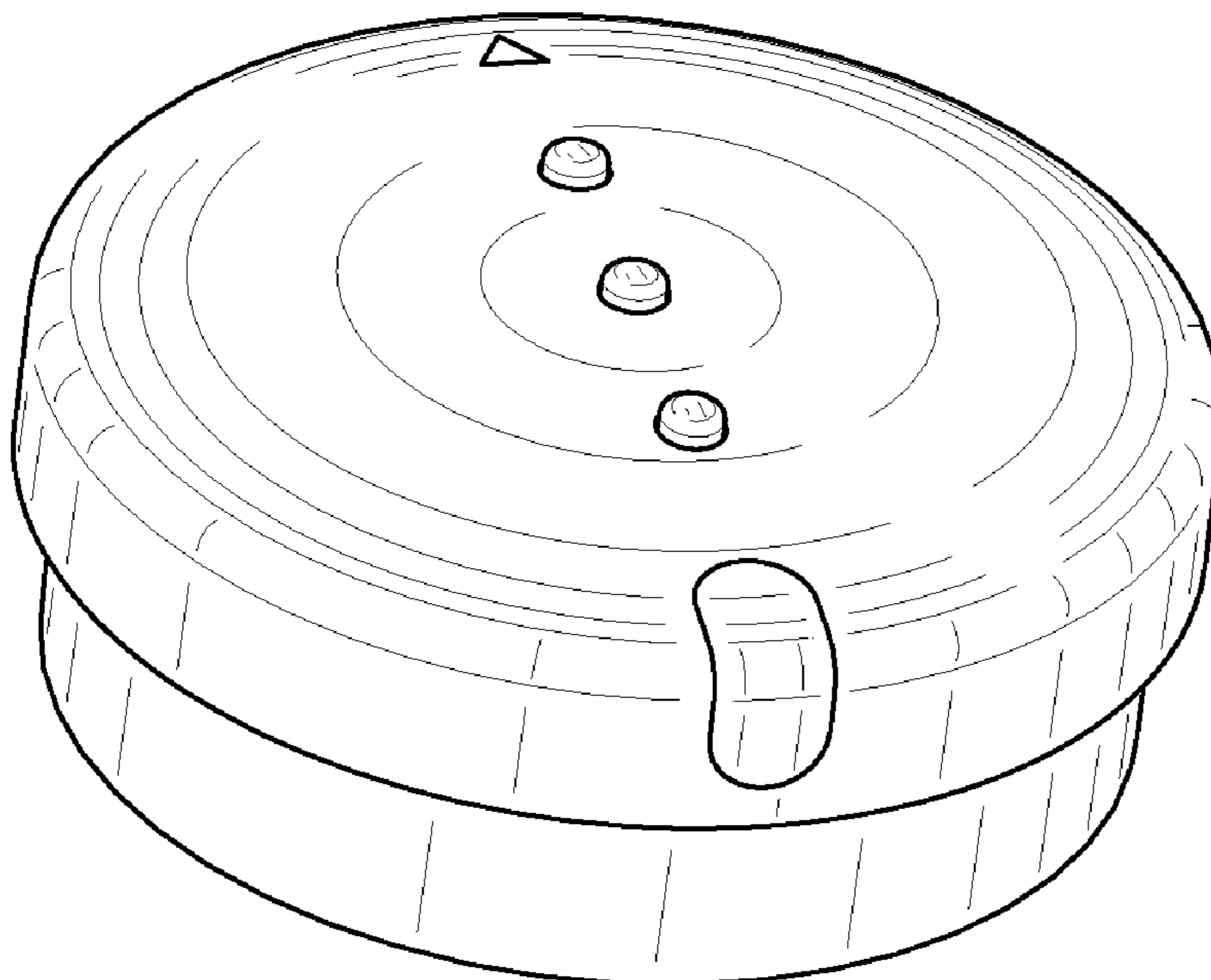
FIG. 4 is a right side view thereof.

FIG. 5 is a top view thereof; and,

FIG. 6 is a bottom view thereof.

The rear view forms no part of the design and is omitted.

**1 Claim, 3 Drawing Sheets**



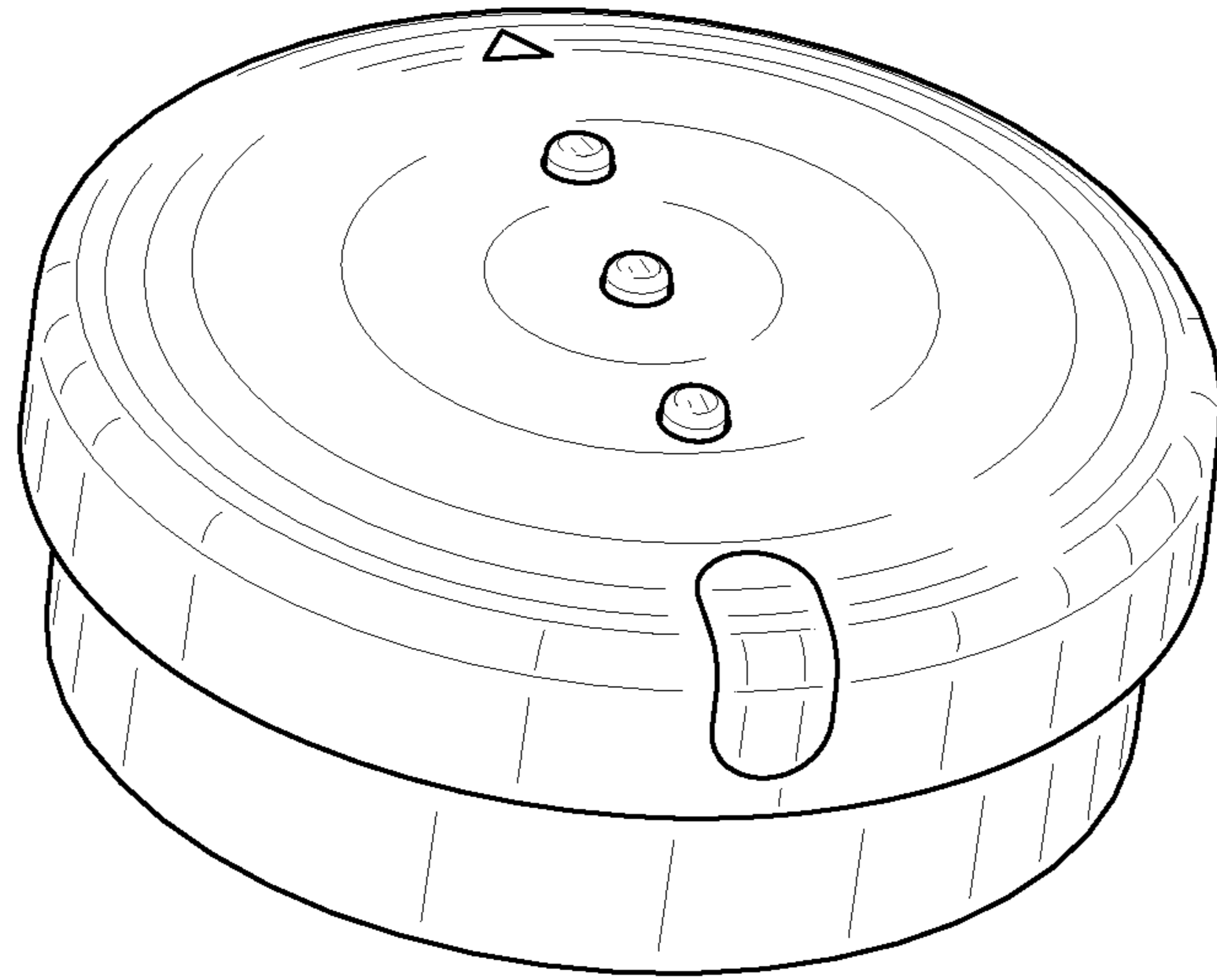


Fig. 1

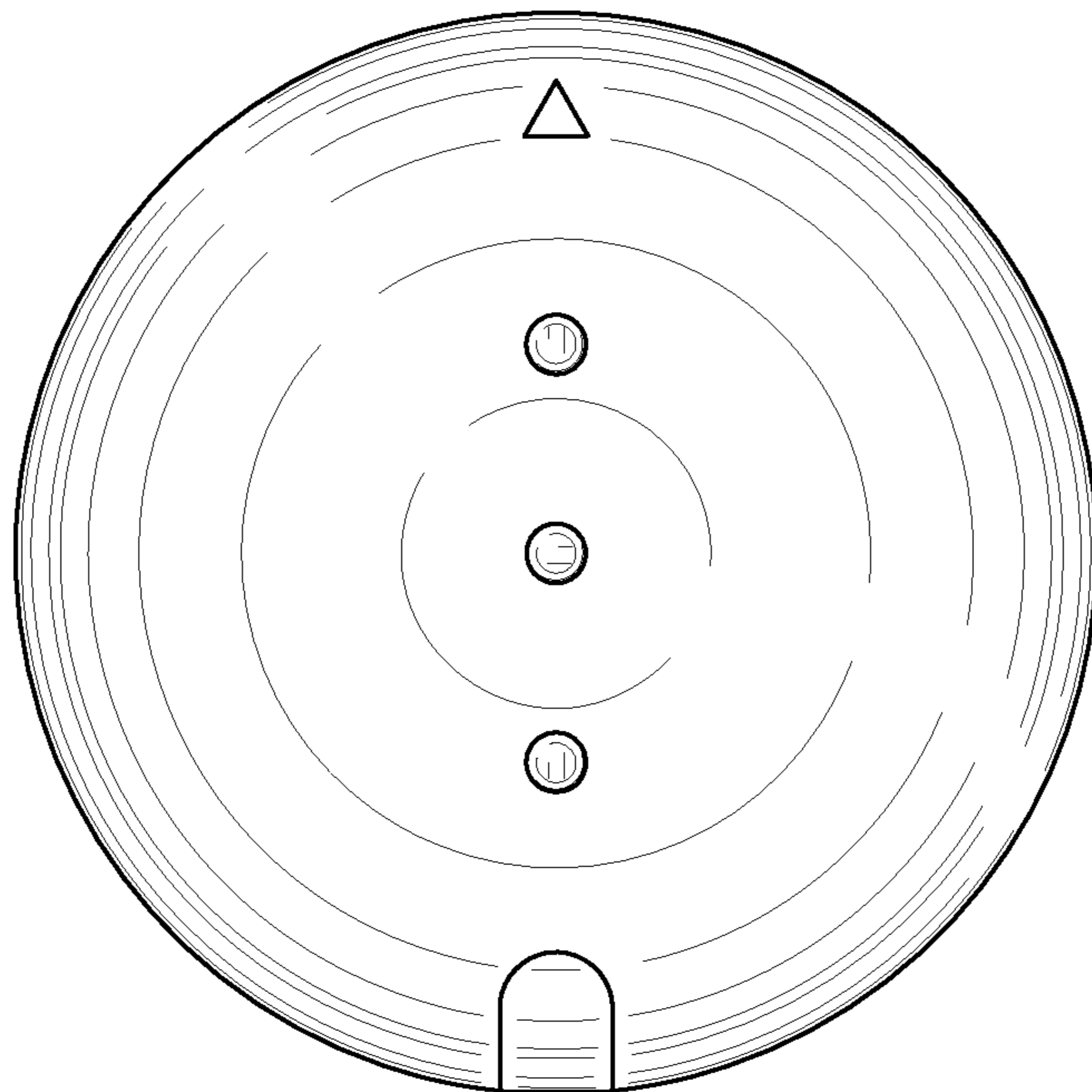


Fig. 2

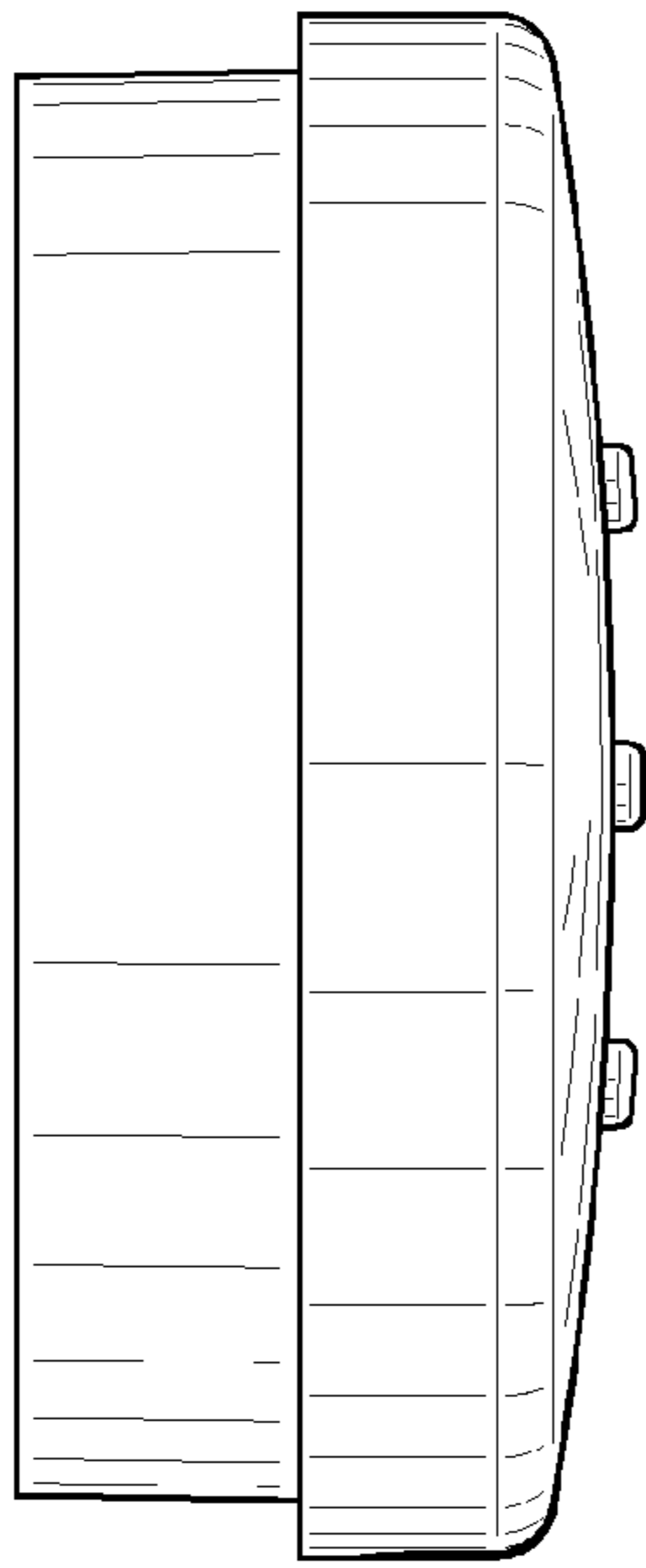


Fig. 3

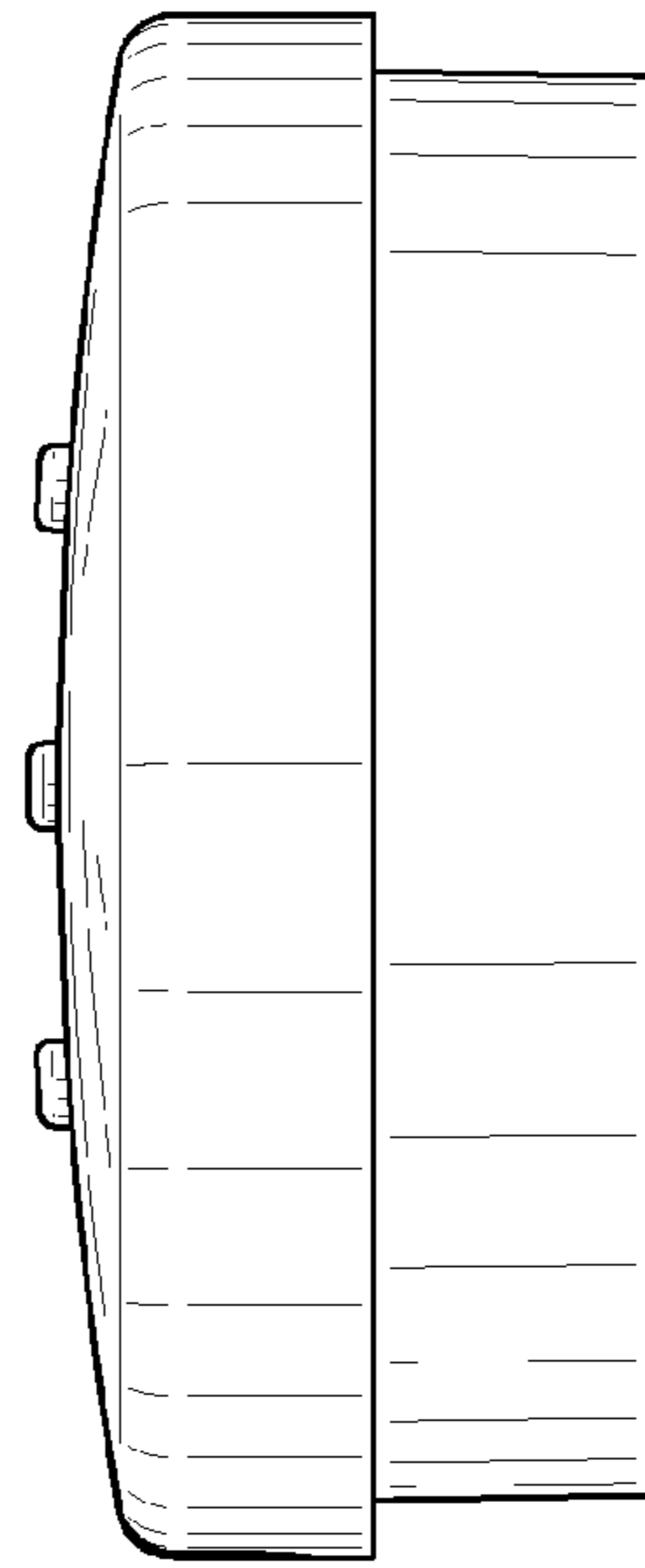


Fig. 4

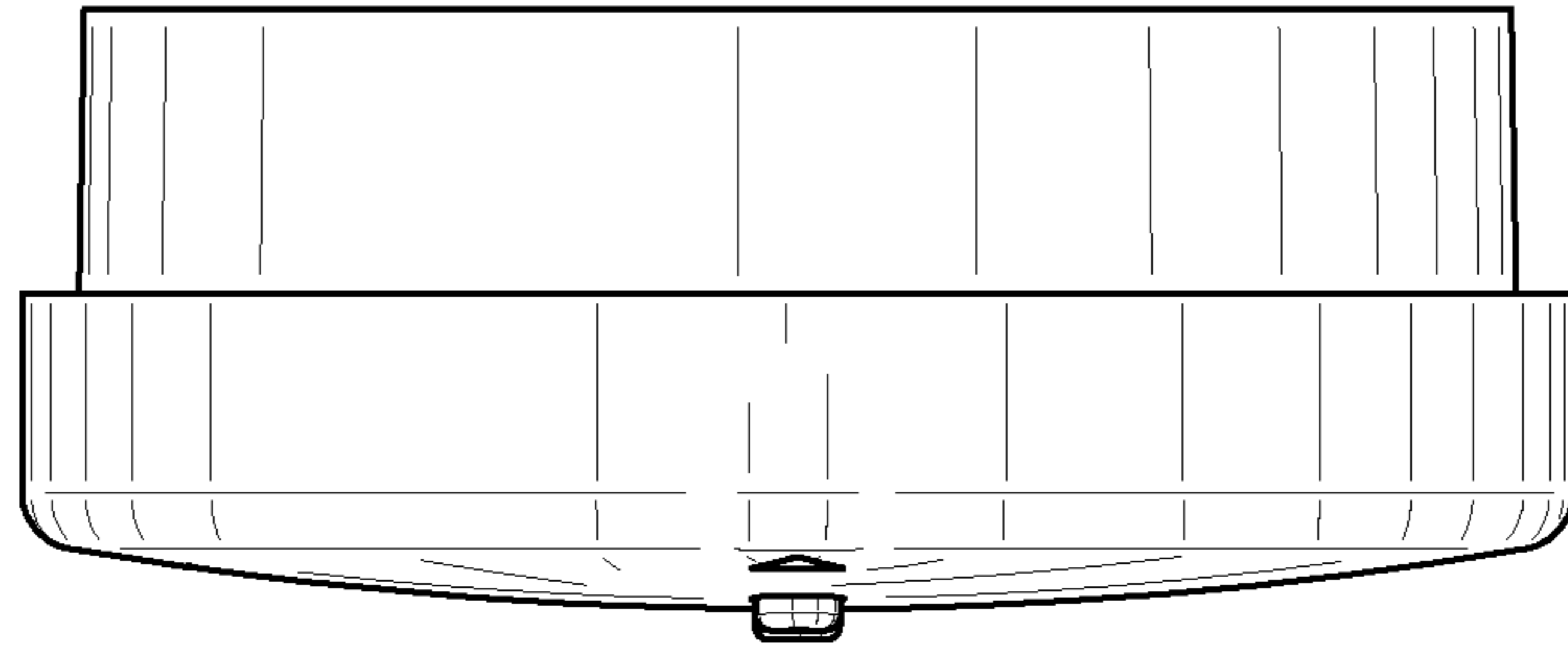


Fig. 5

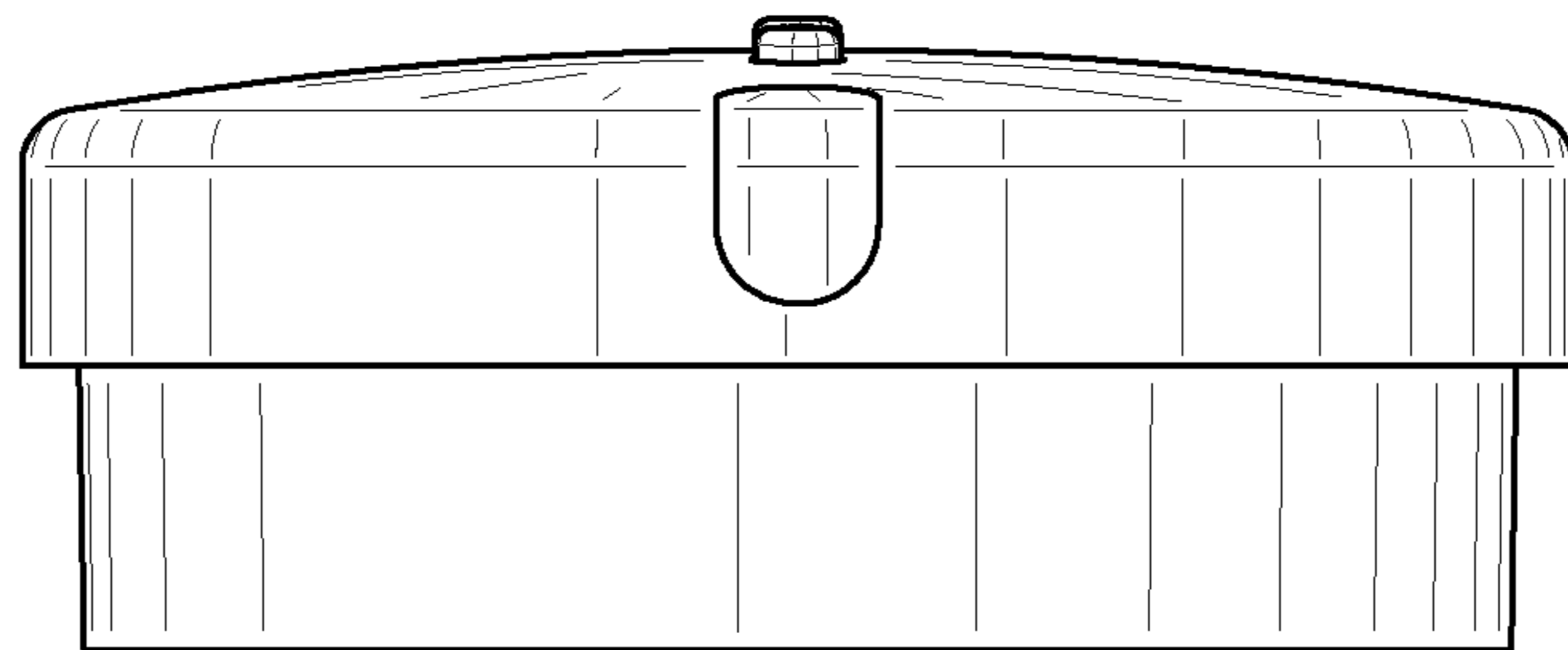


Fig. 6