



US00D687326S

(12) **United States Design Patent**
I den

(10) **Patent No.:** **US D687,326 S**

(45) **Date of Patent:** **** Aug. 6, 2013**

(54) **COMPASS WITH LONG BASE**

D477,542 S * 7/2003 Chang D10/68
D636,281 S * 4/2011 Henderson et al. D10/68
D658,521 S * 5/2012 Chang D10/68

(75) Inventor: **Marlin Iden**, Riverton, WY (US)

* cited by examiner

(73) Assignee: **Fenix Outdoor AB**, Ornskoldsvik (SE)

Primary Examiner — Antoine D Davis

(**) Term: **14 Years**

(74) *Attorney, Agent, or Firm* — Nixon & Vanderhye P.C.

(21) Appl. No.: **29/397,243**

(57) **CLAIM**

The ornamental design for a compass with long base, as shown and described.

(22) Filed: **Jul. 13, 2011**

DESCRIPTION

(51) **LOC (9) Cl.** **10-04**

(52) **U.S. Cl.**
USPC **D10/68**

(58) **Field of Classification Search**
USPC D10/68; 33/355 D, 355 R-364
See application file for complete search history.

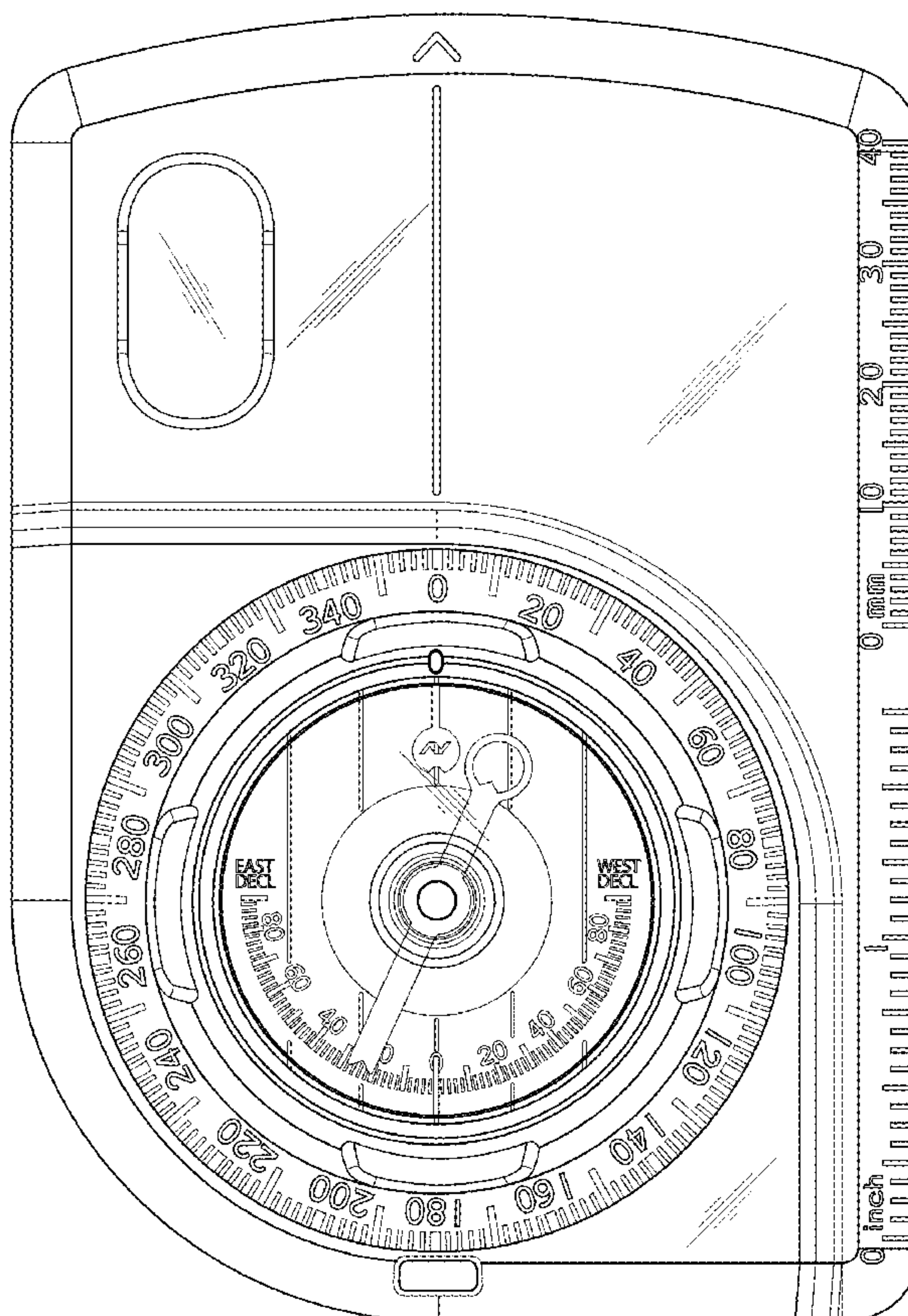
(56) **References Cited**

U.S. PATENT DOCUMENTS

4,438,568	A *	3/1984	Kramer et al.	33/348
4,899,453	A *	2/1990	Bhat et al.	33/348
D349,066	S *	7/1994	Su	D10/68
D369,982	S *	5/1996	Chang	D10/68
D401,168	S *	11/1998	Wallberg	D10/68
D411,121	S *	6/1999	Chang	D10/68
6,145,209	A *	11/2000	Chang	33/348
D435,465	S *	12/2000	Yusa	D10/68
D435,466	S *	12/2000	Yusa	D10/68

FIG. 1 is a top view of a compass with a long base according to my new ornamental design, wherein the long base is transparent;
FIG. 2 is a bottom view of the compass with long base shown in FIG. 1;
FIG. 3 is a front view of the compass with long base shown in FIG. 1;
FIG. 4 is a rear view of the compass with long base shown in FIG. 1;
FIG. 5 is a right side view of the compass with long base shown in FIG. 1;
FIG. 6 is a left side view of the compass with long base shown in FIG. 1; and,
FIG. 7 is a perspective view of the top, right side and rear of the compass with long base shown in FIG. 1.

1 Claim, 5 Drawing Sheets



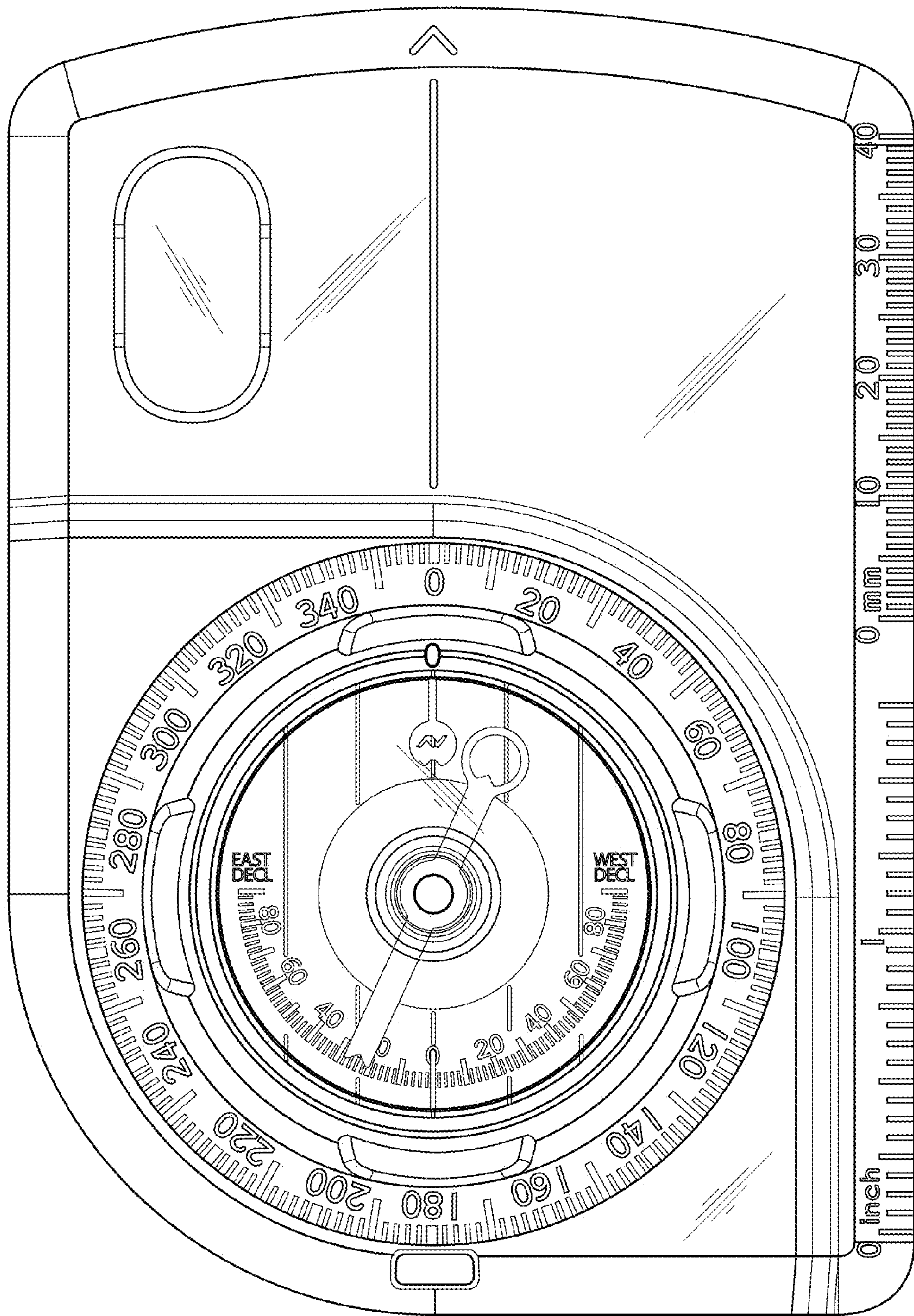


FIG. 1

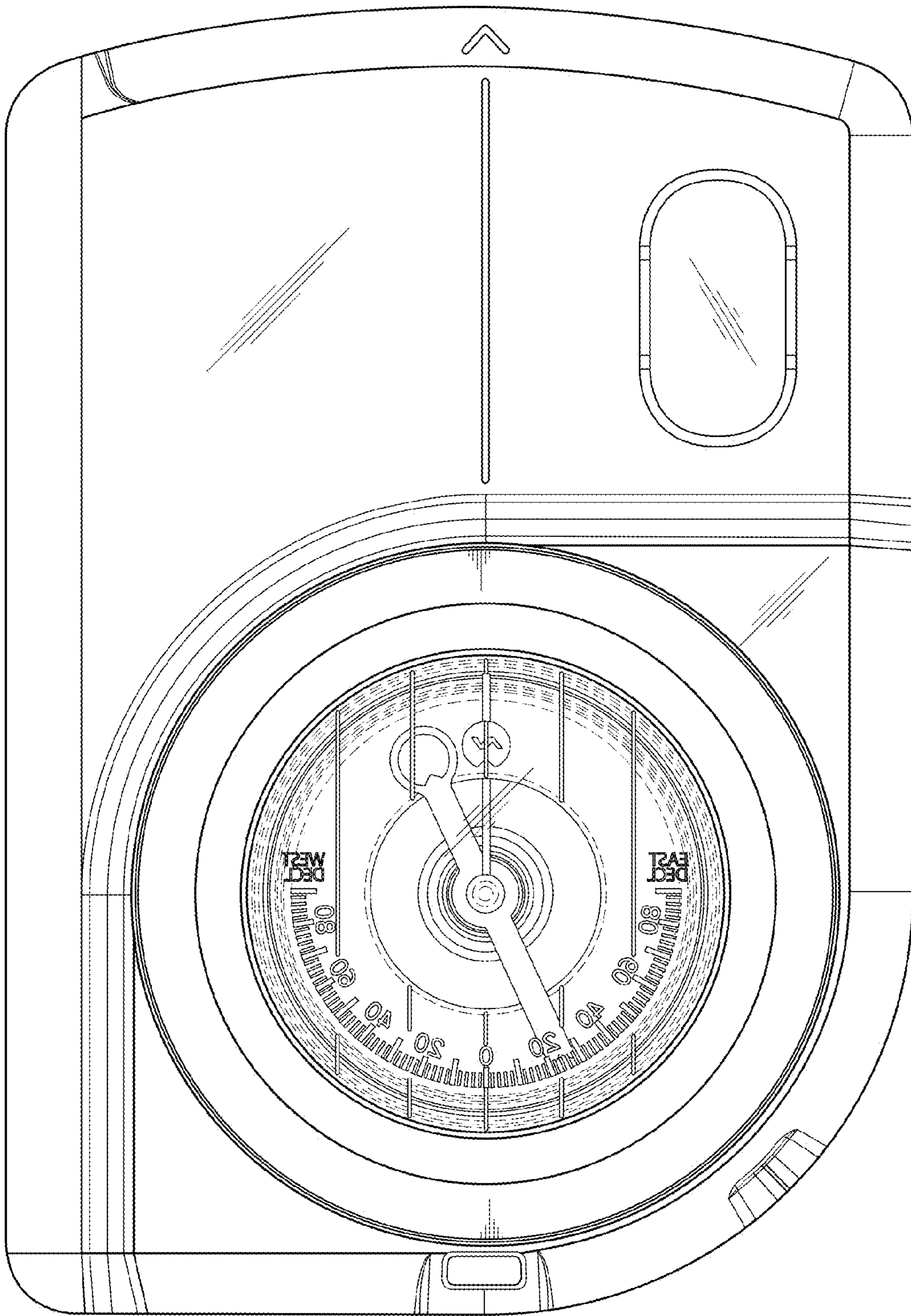


FIG.2

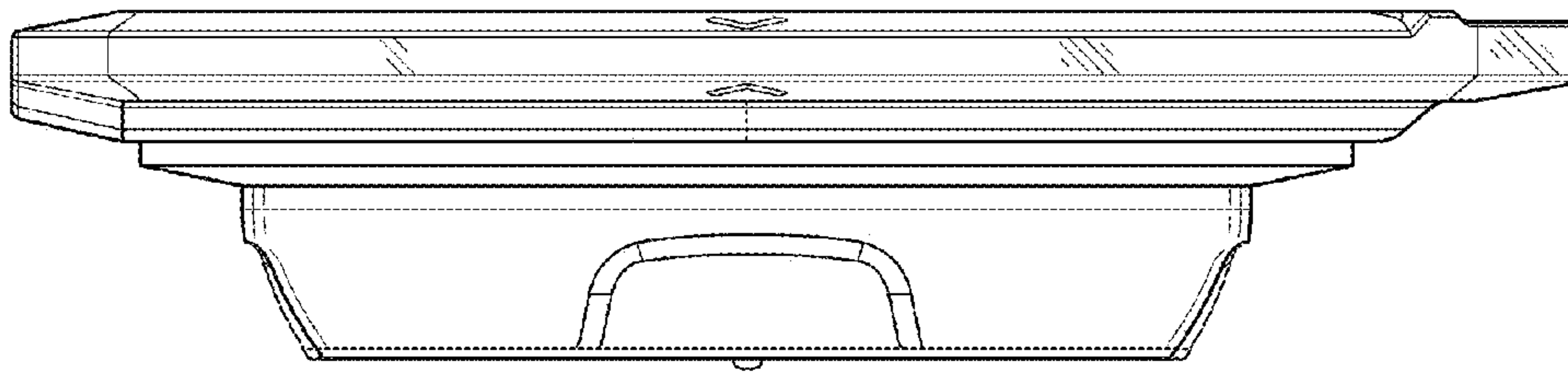


FIG.3

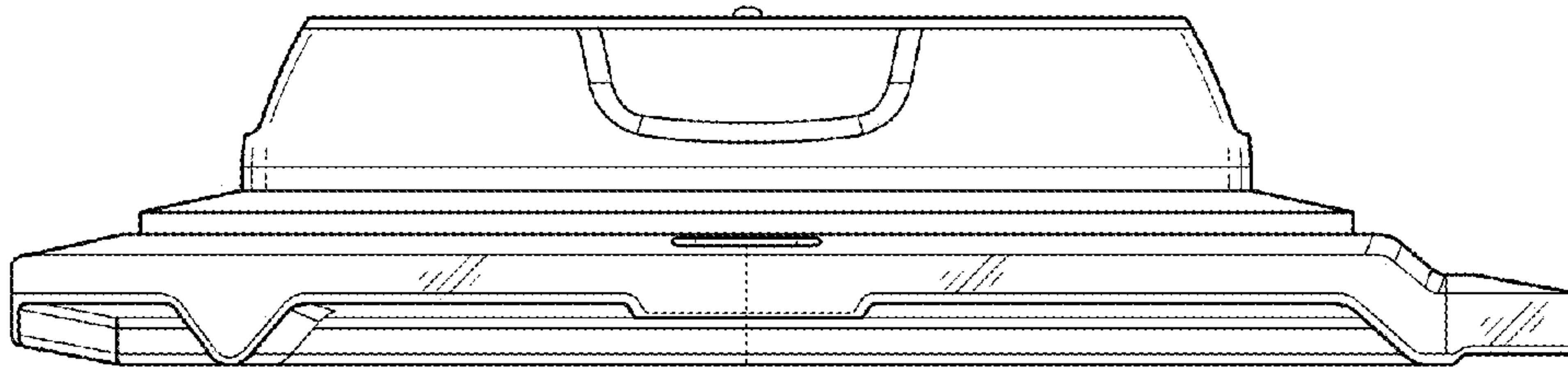


FIG.4

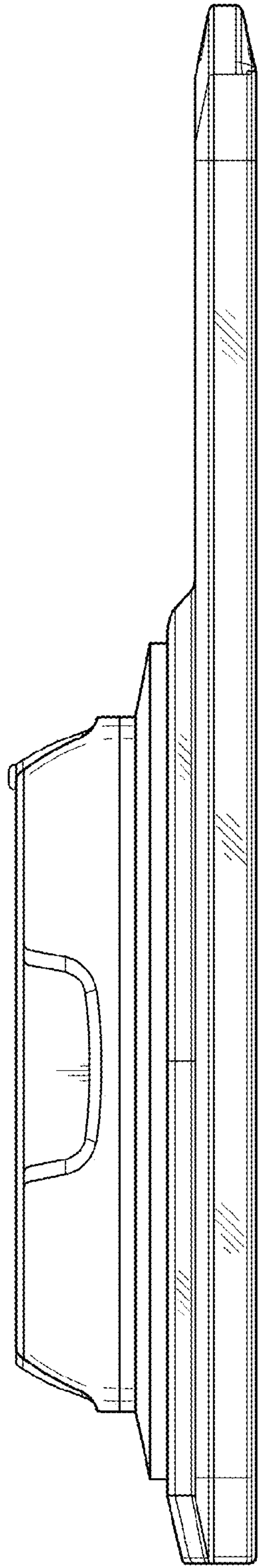


FIG. 5

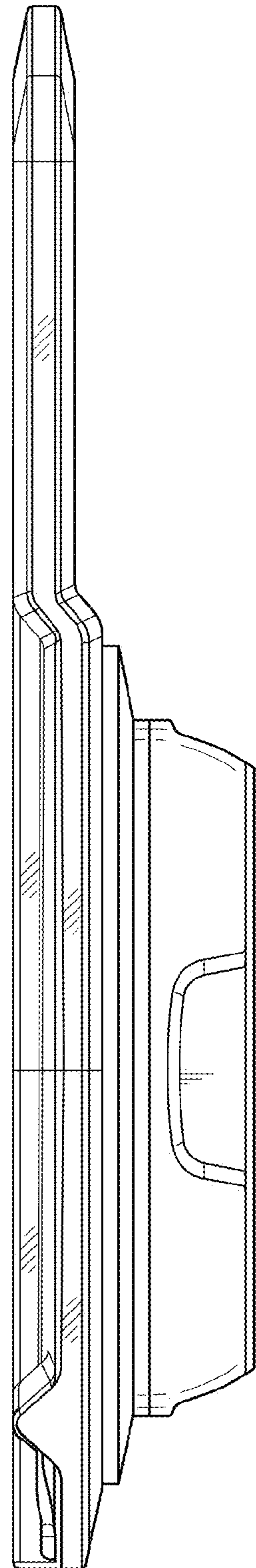


FIG. 6

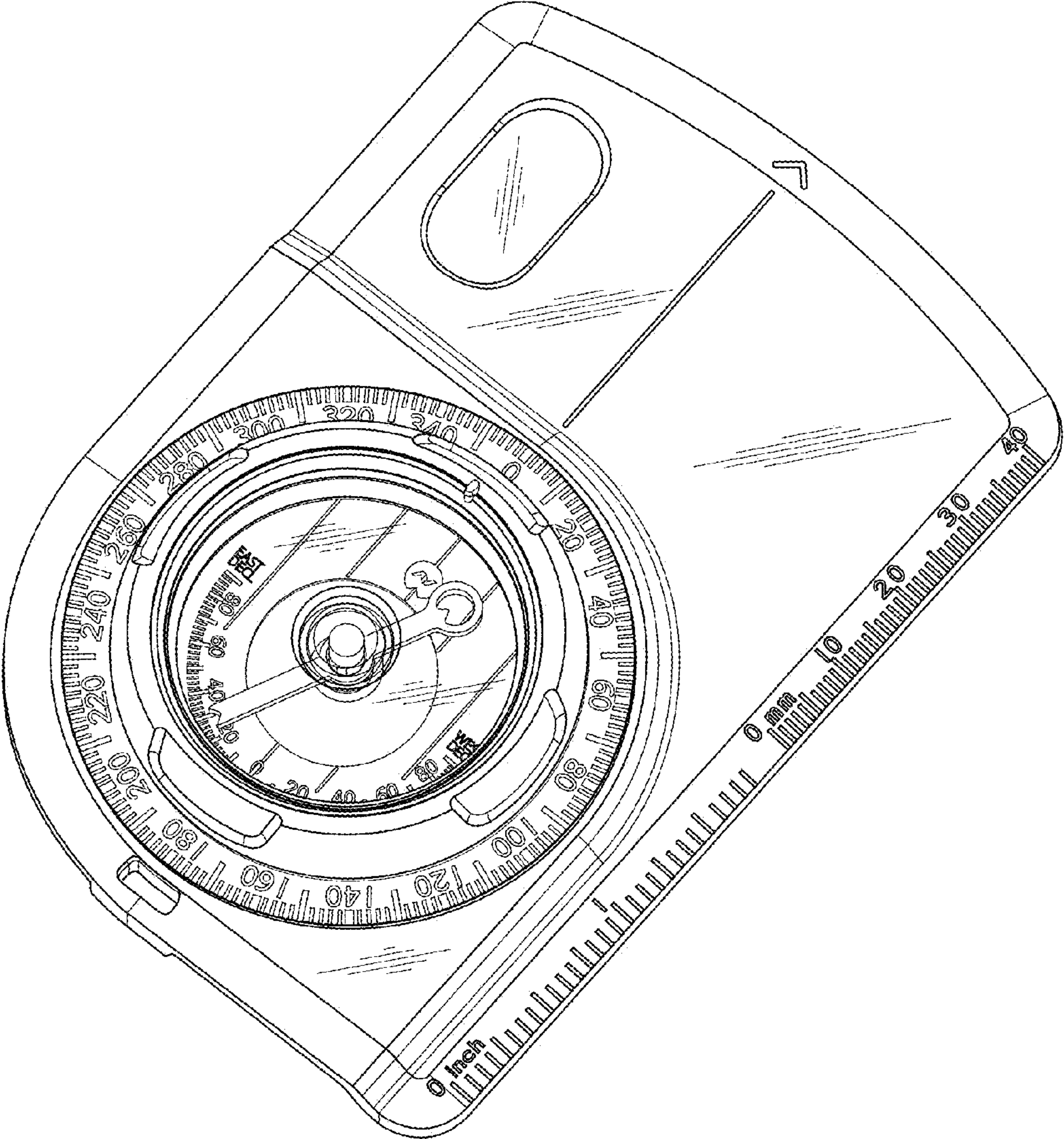


FIG.7