



US00D687325S

(12) **United States Design Patent**
I den

(10) **Patent No.:** **US D687,325 S**

(45) **Date of Patent:** **** Aug. 6, 2013**

(54) **COMPASS WITH SHORT BASE AND COVER**

DESCRIPTION

(75) Inventor: **Mariln Iden**, Riverton, WY (US)

(73) Assignee: **Fenix Outdoor AB**, Ornskoldsvik (SE)

(**) Term: **14 Years**

(21) Appl. No.: **29/397,240**

(22) Filed: **Jul. 13, 2011**

(51) **LOC (9) Cl.** **10-04**

(52) **U.S. Cl.**
USPC **D10/68**

(58) **Field of Classification Search**
USPC D10/68; 33/355 D, 355 R-364
See application file for complete search history.

(56) **References Cited**

U.S. PATENT DOCUMENTS

4,438,568	A *	3/1984	Kramer et al.	33/348
4,899,453	A *	2/1990	Bhat et al.	33/348
D349,066	S *	7/1994	Su	D10/68
D369,982	S *	5/1996	Chang	D10/68
D401,168	S *	11/1998	Wallberg	D10/68
D411,121	S *	6/1999	Chang	D10/68
6,145,209	A *	11/2000	Chang	33/348
D435,465	S *	12/2000	Yusa	D10/68
D435,466	S *	12/2000	Yusa	D10/68
D477,542	S *	7/2003	Chang	D10/68
D636,281	S *	4/2011	Henderson et al.	D10/68
D658,521	S *	5/2012	Chang	D10/68

* cited by examiner

Primary Examiner — Antoine D Davis

(74) *Attorney, Agent, or Firm* — Nixon & Vanderhye P.C.

(57) **CLAIM**

The ornamental design for a compass with short base and cover, as shown and described.

FIG. 1 is a top view of a compass with a short base and a closed cover according to my new ornamental design, wherein the cover is shown in a closed position, and the base is transparent and the cover is opaque;

FIG. 2 is a bottom view of the compass with short base and cover shown in FIG. 1, wherein the bottom view remains the same when the cover is opened and closed;

FIG. 3 is a front view of the compass with short base and the closed cover shown in FIG. 1;

FIG. 4 is a rear view of the compass with short base and the closed cover shown in FIG. 1;

FIG. 5 is a right side view of the compass with short base and the closed cover shown in FIG. 1;

FIG. 6 is a left side view of the compass with short base and the closed cover shown in FIG. 1;

FIG. 7 is a perspective view of the top, right side and rear of the compass with the short transparent base and the closed opaque cover shown in FIG. 1;

FIG. 8 is a top view of the compass with the long base and a cover as shown in FIG. 1, wherein the cover is shown in an open position;

FIG. 9 is a front view of the compass with the long base and the open cover shown in FIG. 8;

FIG. 10 is a rear view of the compass with the long base and the open cover shown in FIG. 8, wherein an inside surface of the cover is a reflective mirror conforming generally to a top face of the compass portion shown in FIG. 14;

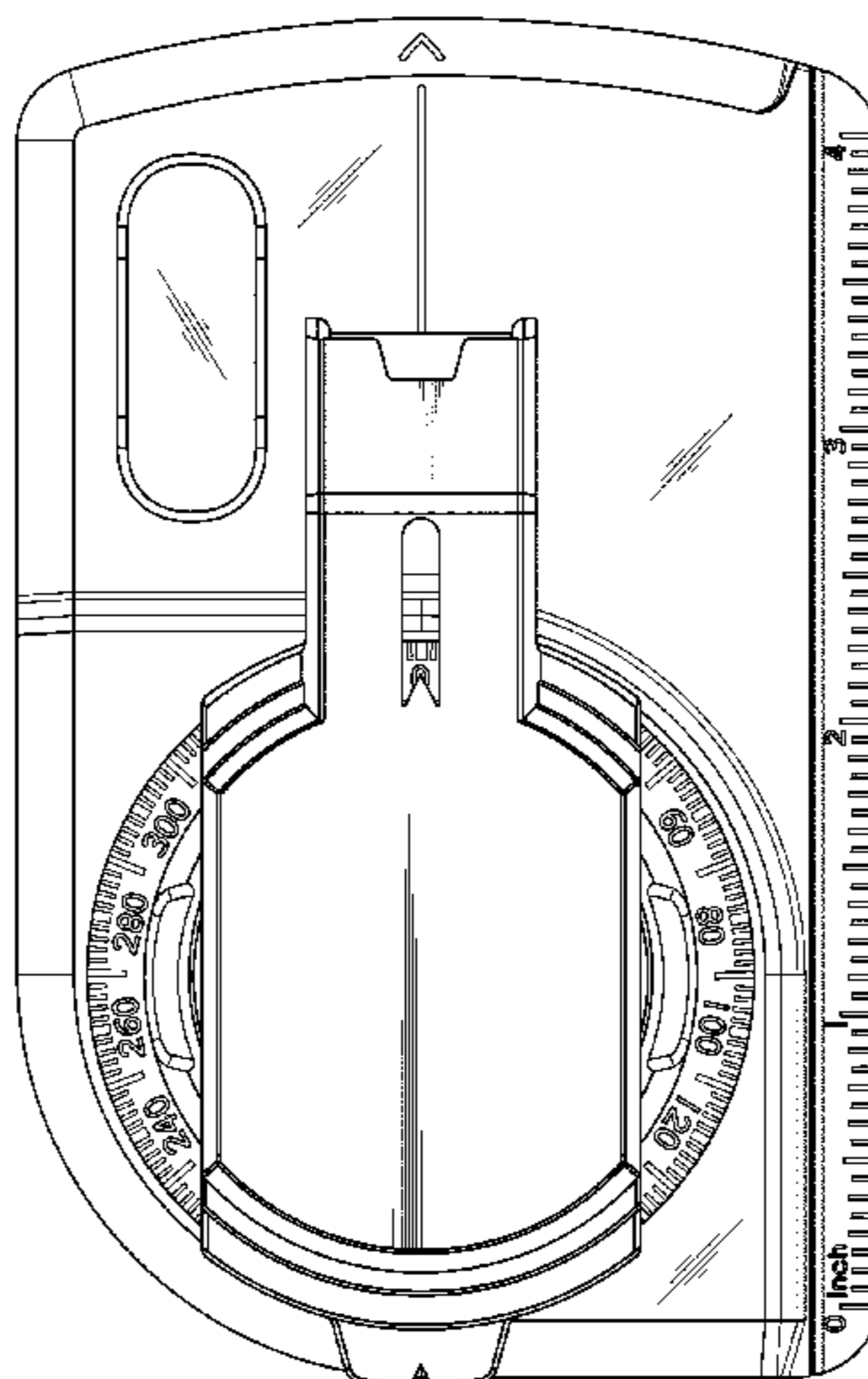
FIG. 11 is a right side view of the compass with the long base and the open cover shown in FIG. 8;

FIG. 12 is a left side view of the compass with the long base and the open cover shown in FIG. 8;

FIG. 13 a perspective view of the top, right side and rear of the compass with the long base and open cover shown in FIG. 8; and,

FIG. 14 is a perspective view of the top and side of the compass portion of the compass with the long base and cover shown in FIGS. 1 and 8.

1 Claim, 12 Drawing Sheets



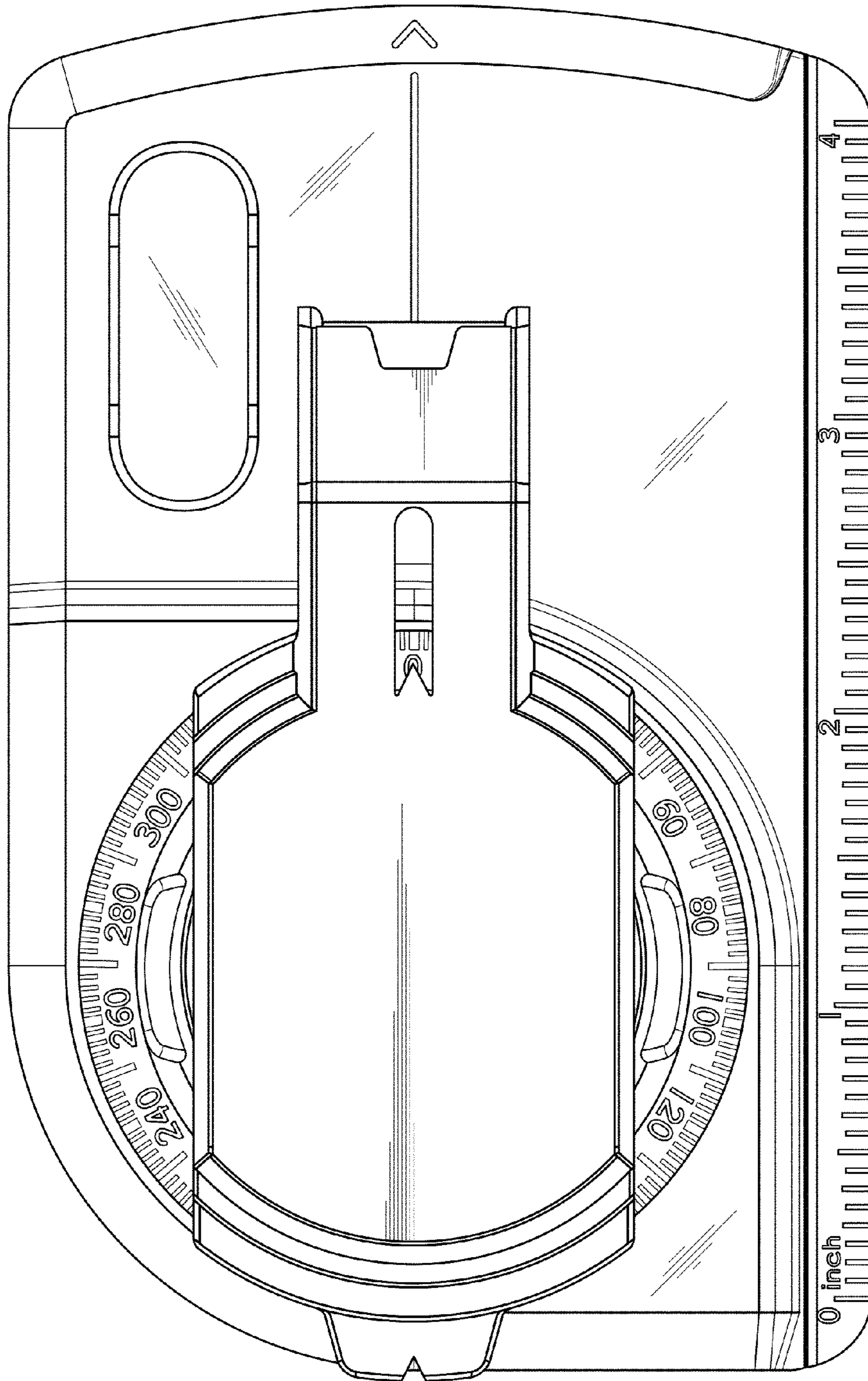


FIG. 1

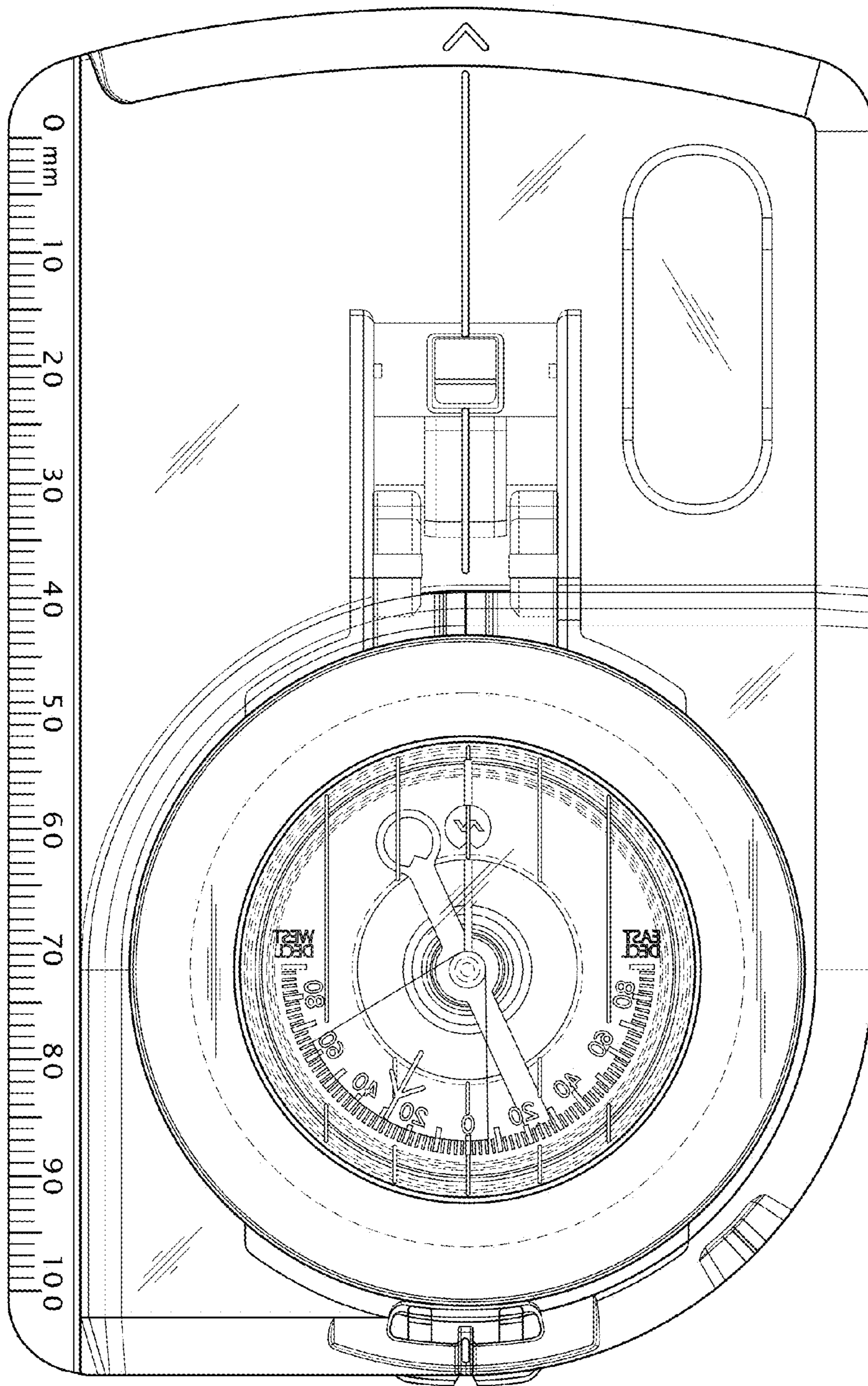


FIG. 2

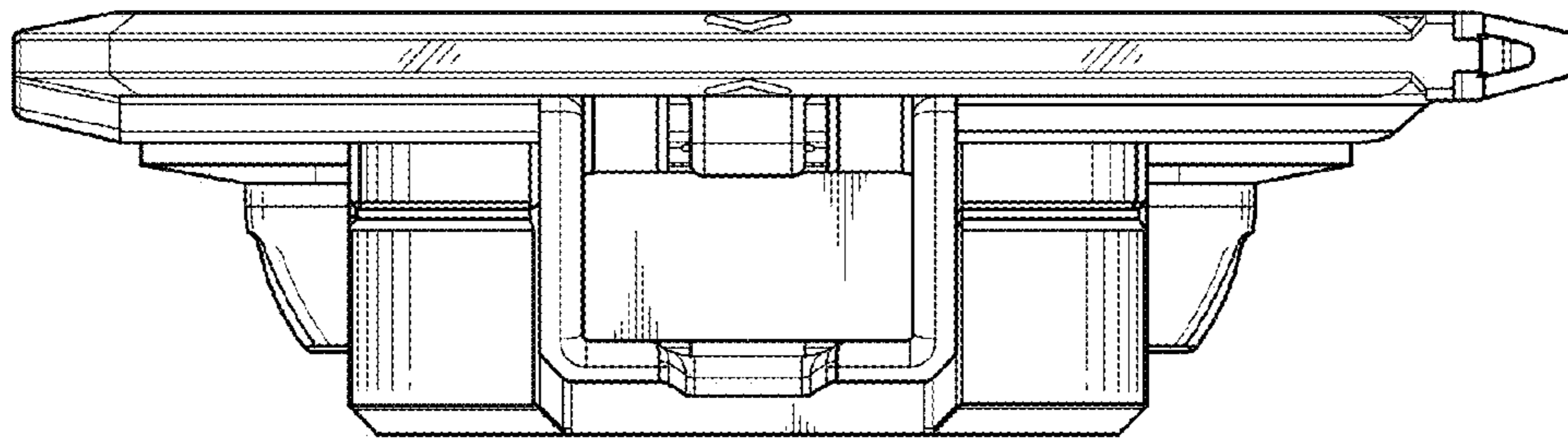


FIG. 3

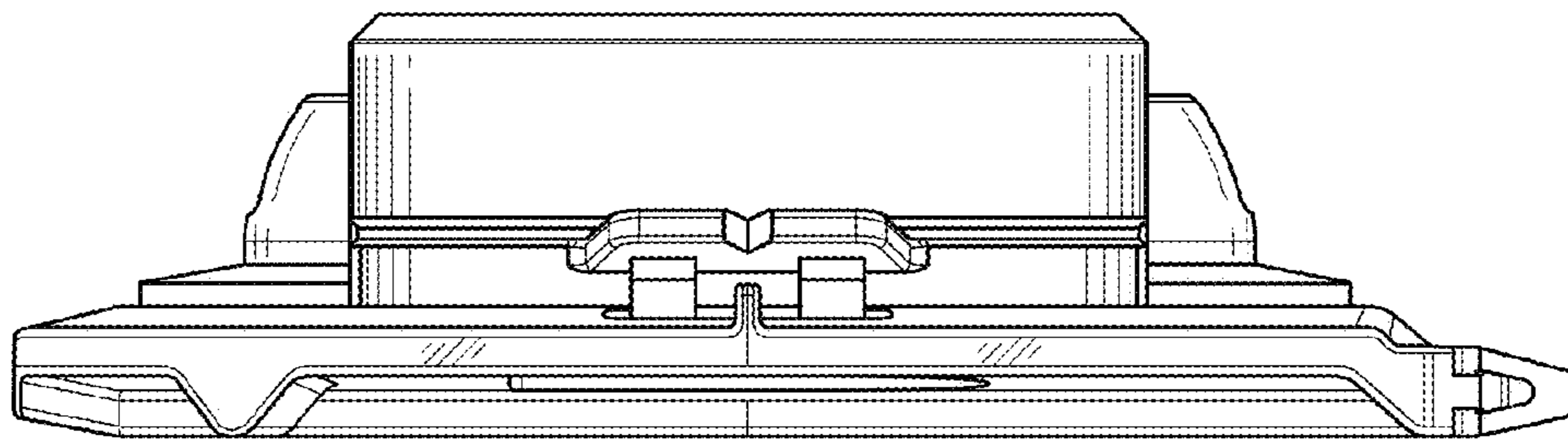


FIG. 4

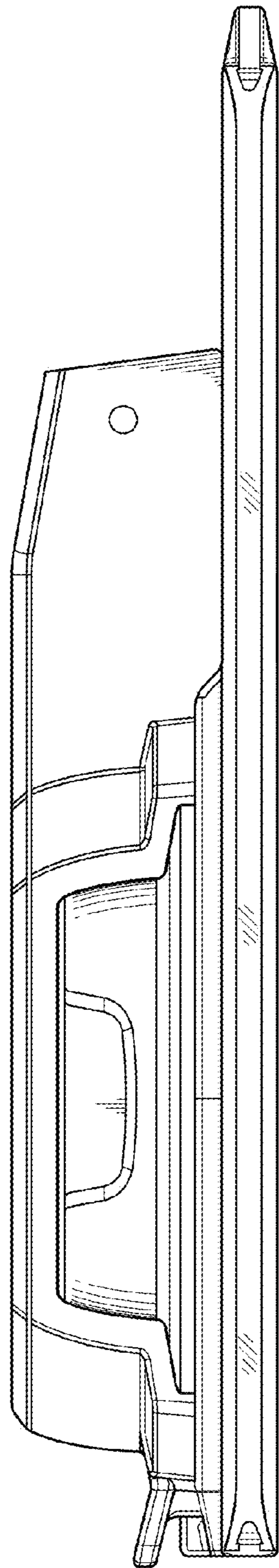


FIG. 5

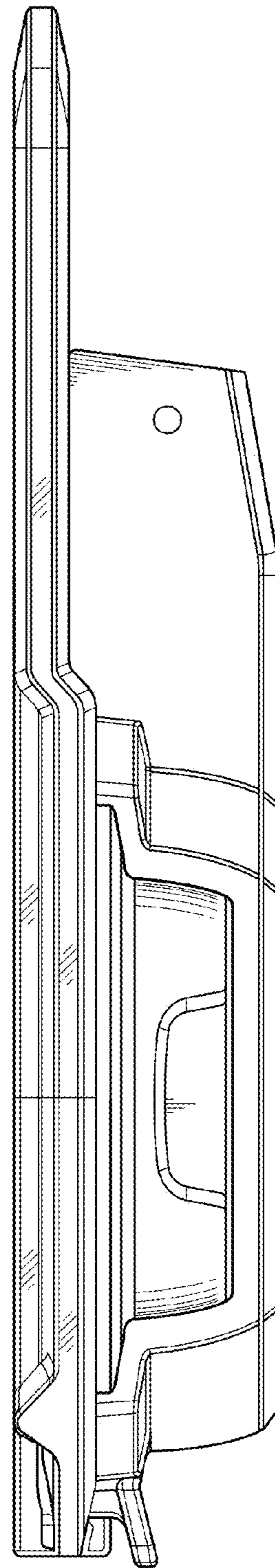


FIG. 6

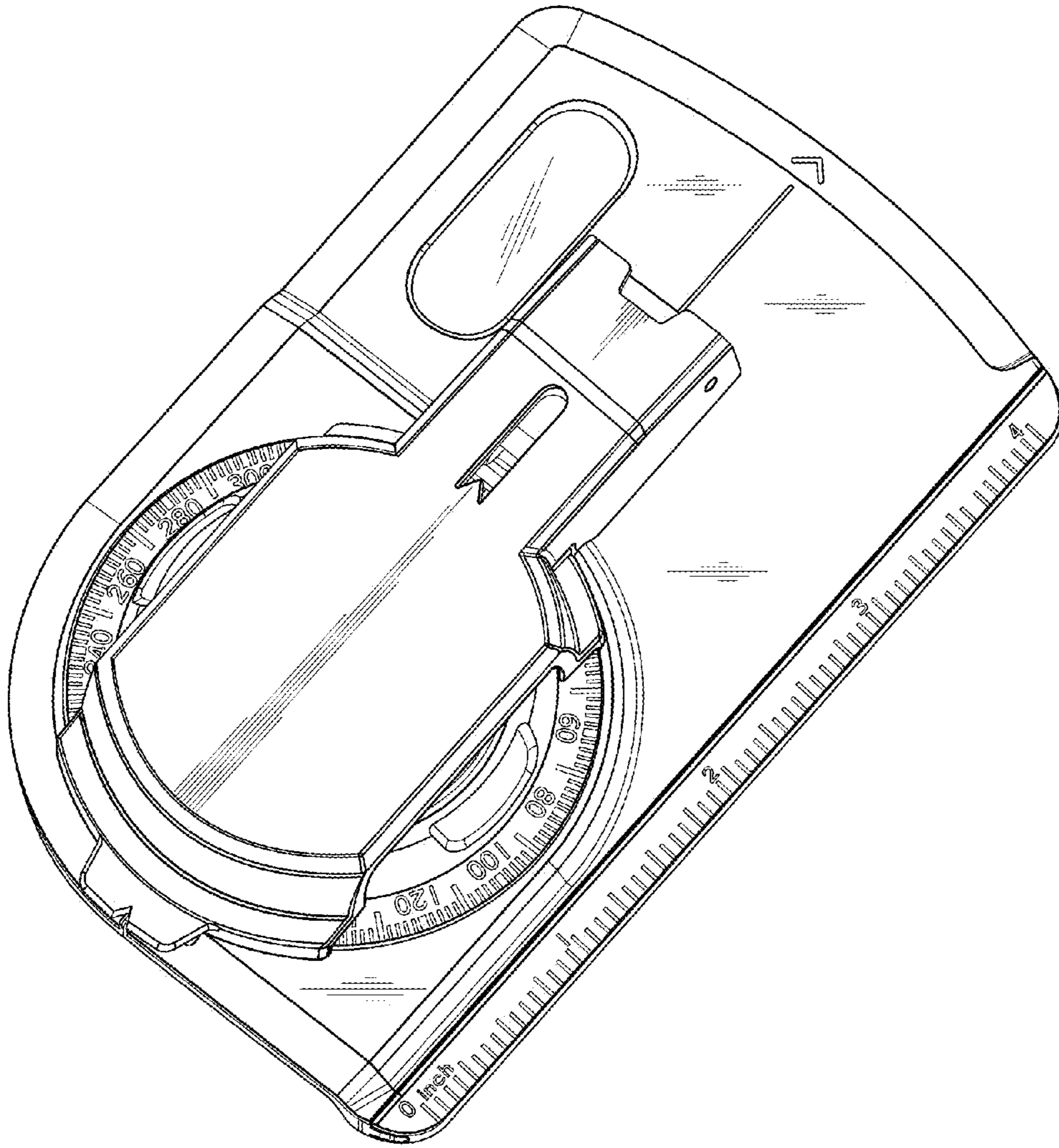


FIG. 7

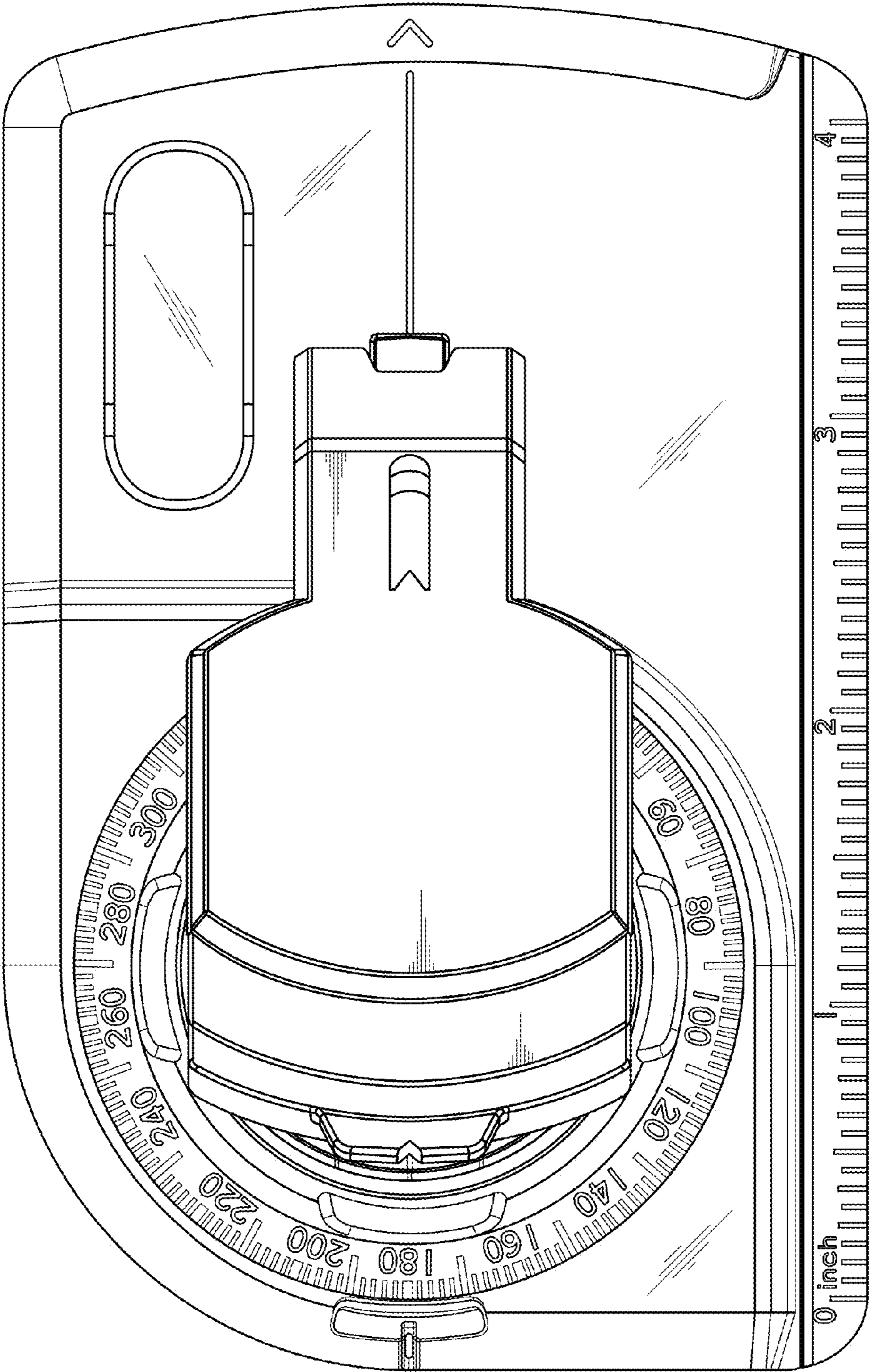


FIG. 8

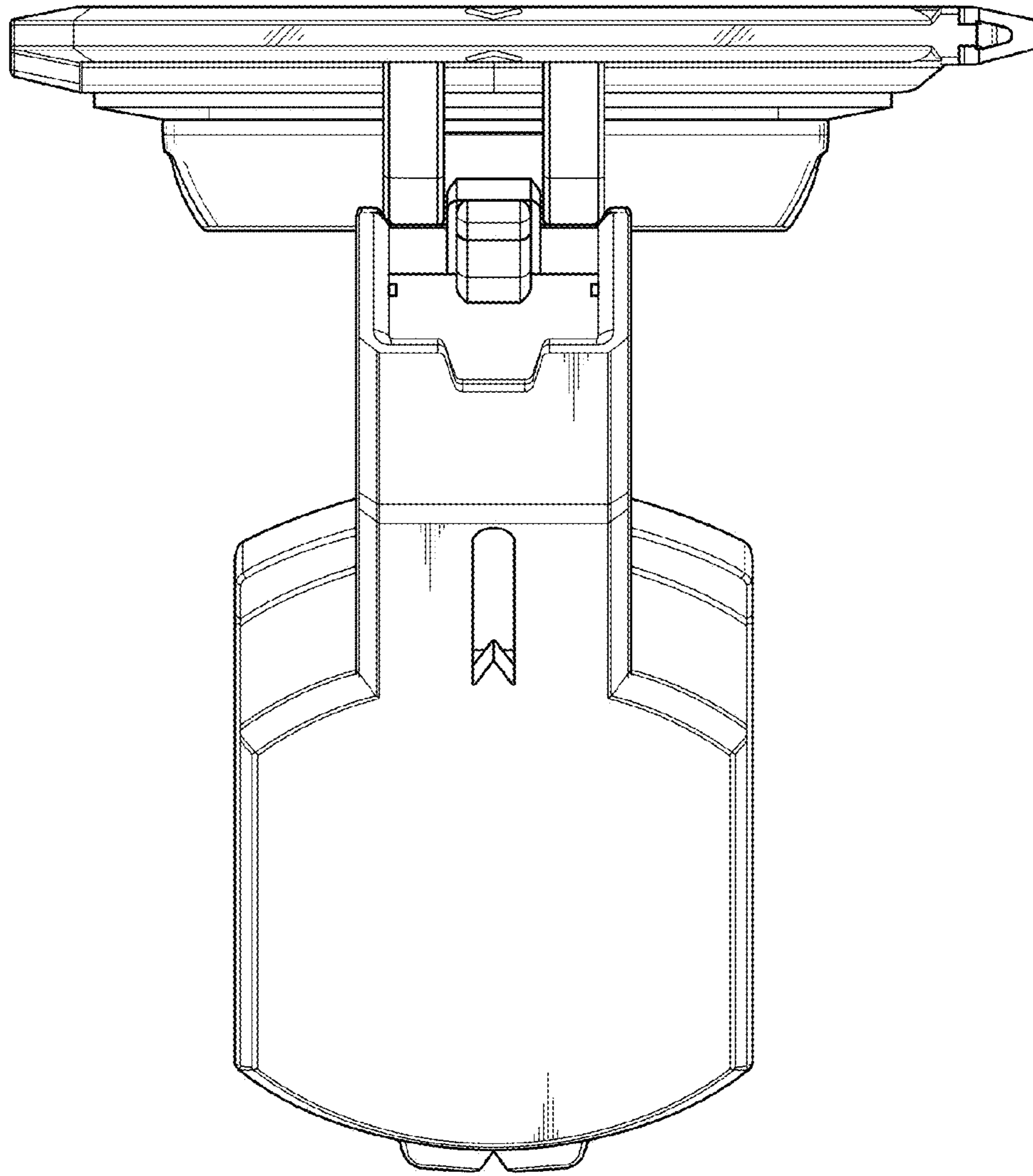


FIG. 9

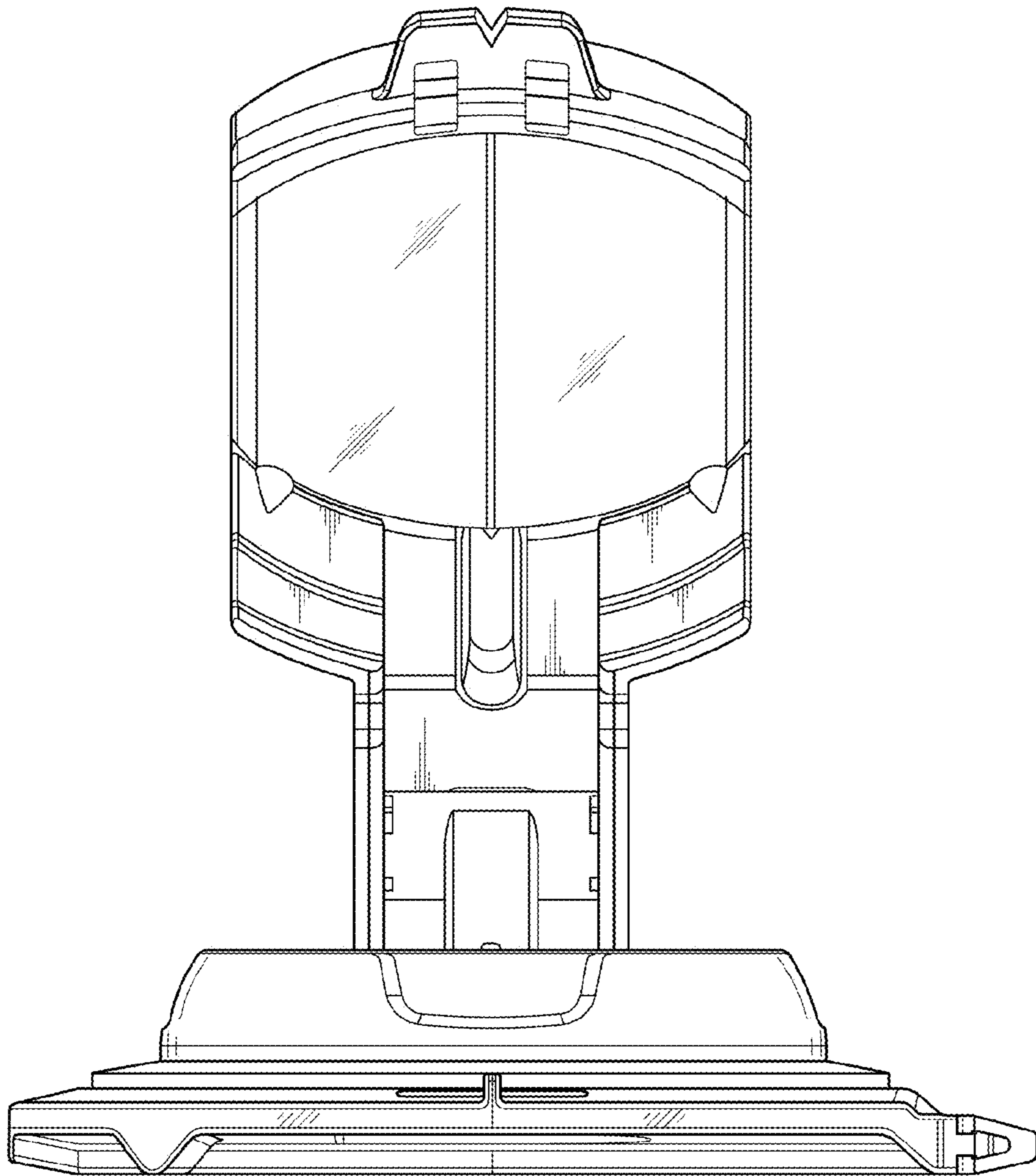


FIG. 10

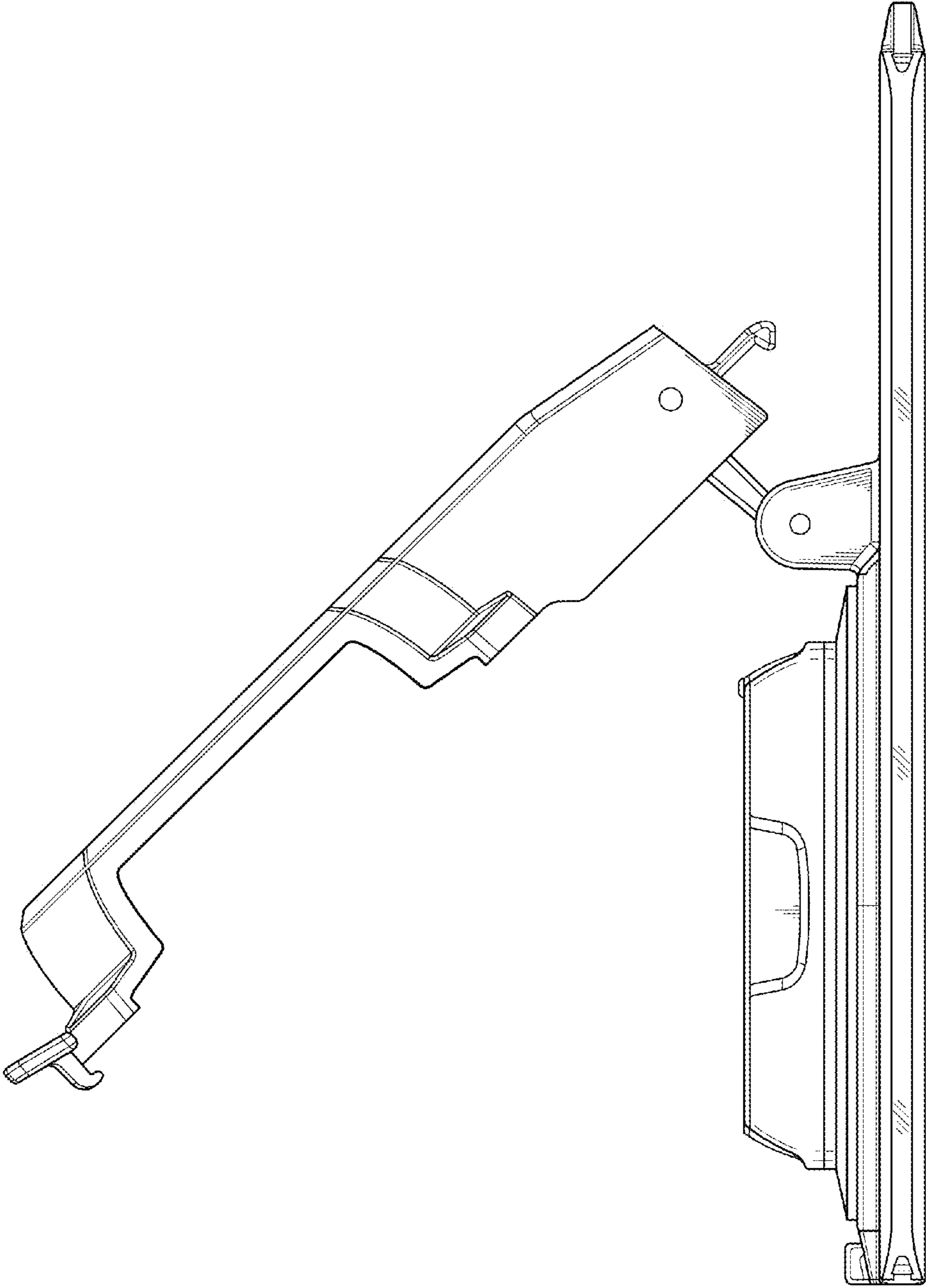


FIG. 11

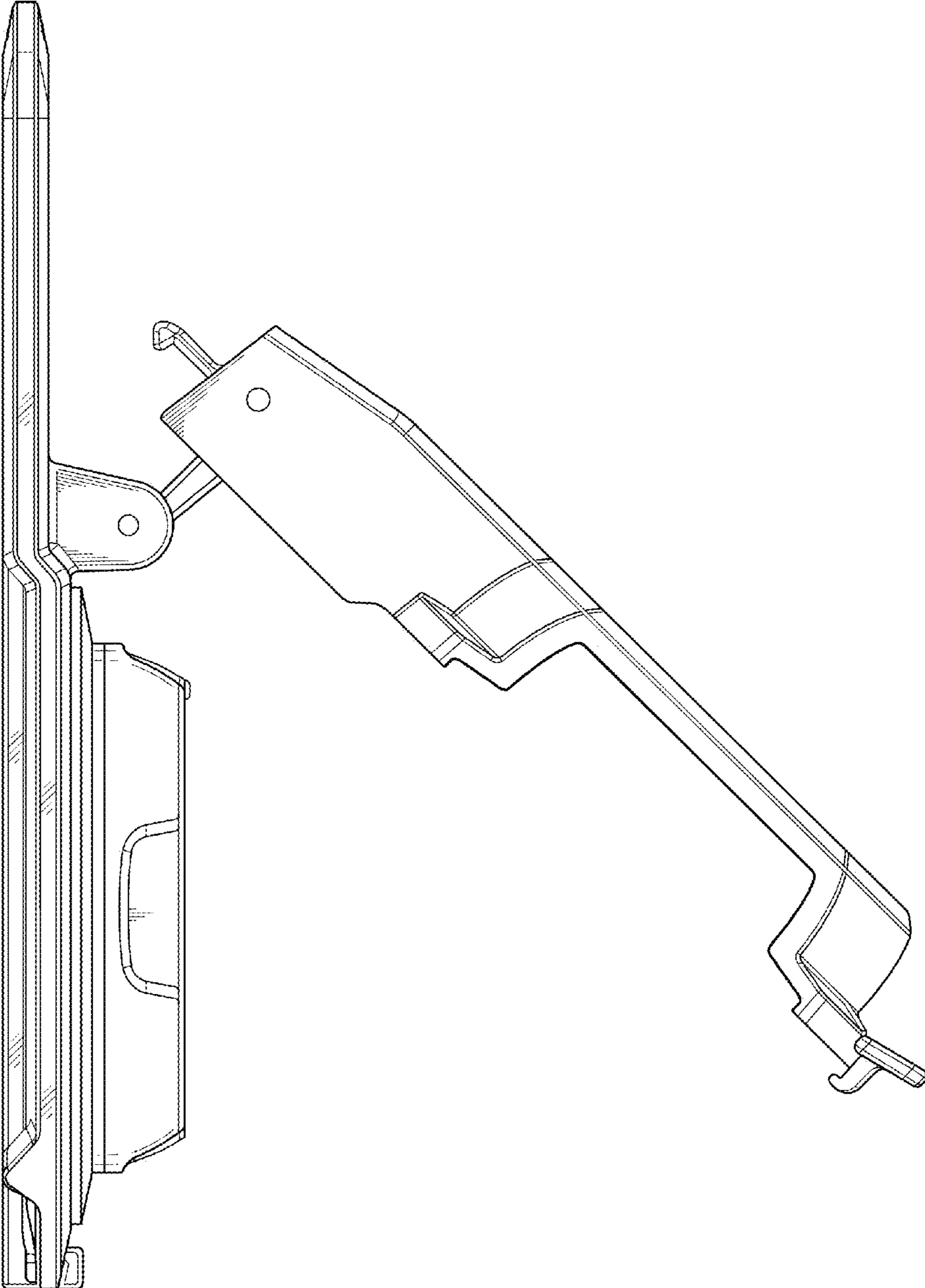


FIG. 12

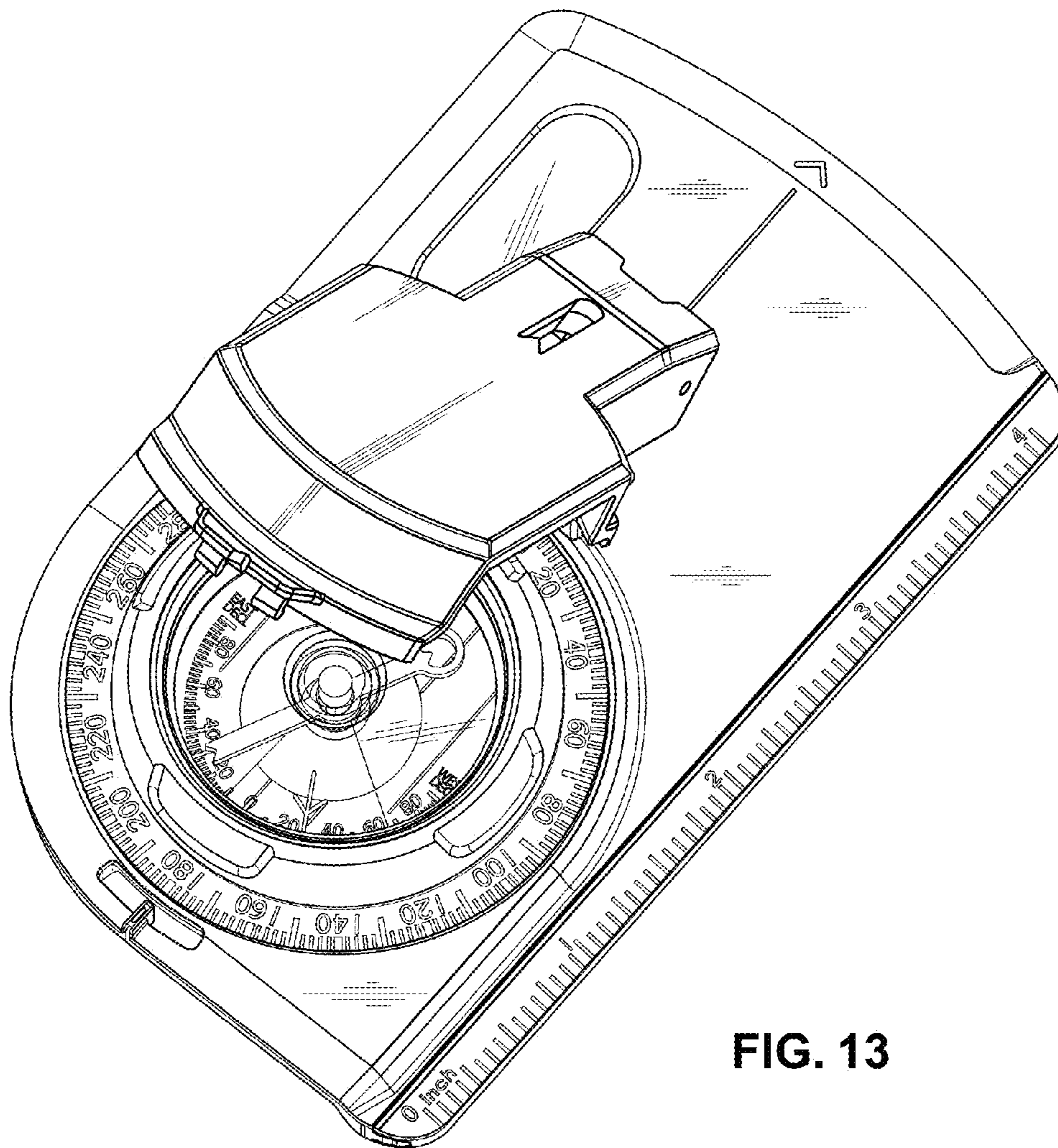


FIG. 13

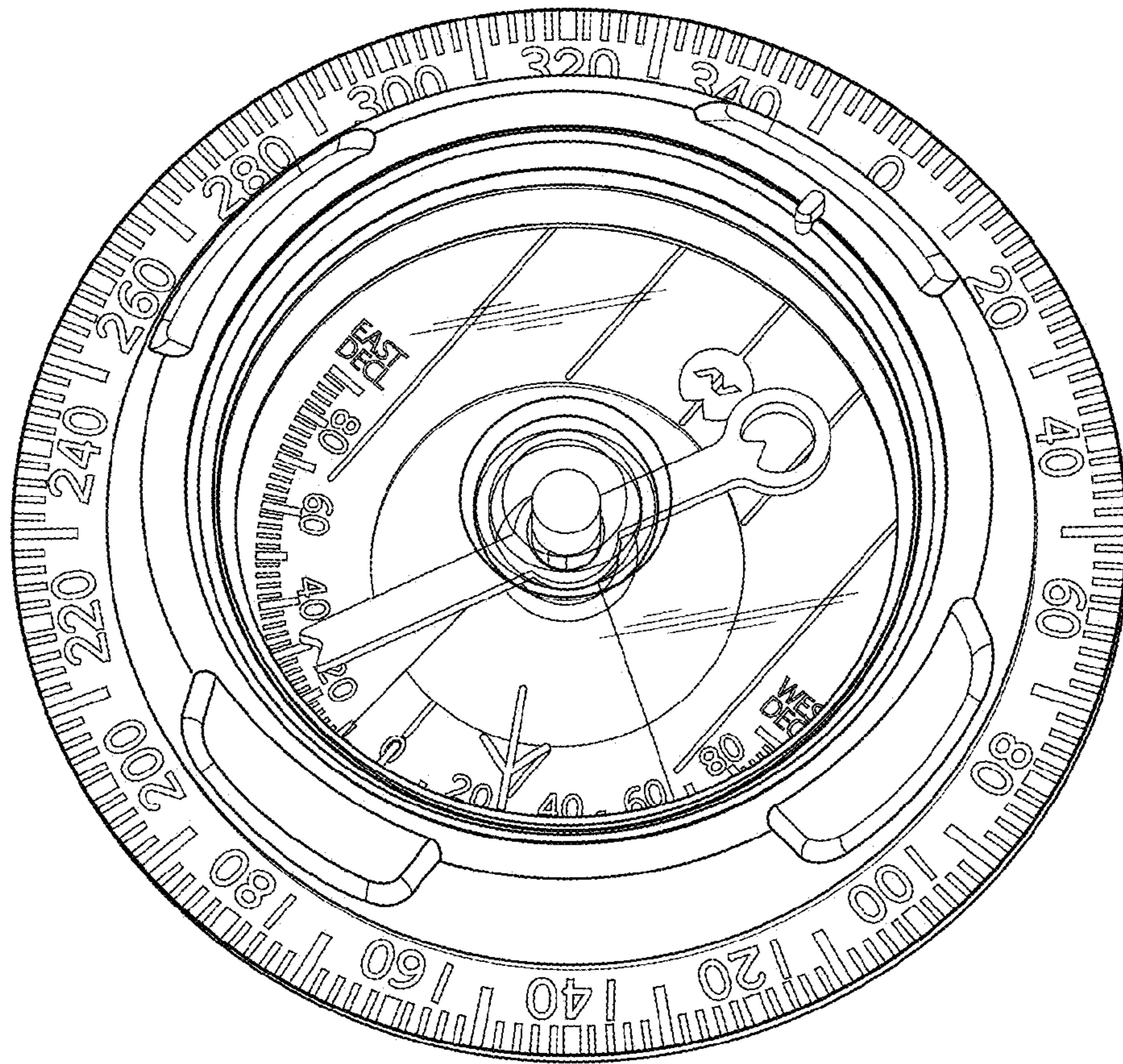


FIG. 14