



US00D687321S

(12) **United States Design Patent**
Pralus

(10) **Patent No.:** **US D687,321 S**

(45) **Date of Patent:** **** Aug. 6, 2013**

(54) **PACKAGING ASSEMBLY FOR CHOCOLATE**

(76) **Inventor:** **Francois Pralus, Roanne (FR)**

(**) **Term:** **14 Years**

(21) **Appl. No.:** **29/390,411**

(22) **Filed:** **Apr. 25, 2011**

(30) **Foreign Application Priority Data**

Oct. 25, 2010 (EM) 001772609

(51) **LOC (9) Cl.** **09-03**

(52) **U.S. Cl.**
USPC **D9/759; D9/414**

(58) **Field of Classification Search**
USPC D9/756-762, 721, 455, 425, 737,
D9/414, 423, 424, 430-432, 415, 418, 426,
D9/428, 429; D3/304; D24/224-227, 229,
D24/230; 211/71.01, 85.13, 74; 217/58;
206/563; 422/63, 64, 266, 297, 300
See application file for complete search history.

(56) **References Cited**

U.S. PATENT DOCUMENTS

D4,384 S *	10/1870	Fleisher	D9/759
D51,466 S *	11/1917	Schafer	D9/737
D60,632 S *	3/1922	Richards	D9/600
3,643,812 A *	2/1972	Mander et al.	211/74
3,807,954 A *	4/1974	McDonald	206/210
D292,876 S *	11/1987	Grunhut	D9/721
D317,864 S *	7/1991	Turk	D9/759
D333,931 S *	3/1993	Wein	D6/478
D336,613 S *	6/1993	Zutler	D9/423
D361,508 S *	8/1995	Schnack	D9/759

(Continued)

Primary Examiner — Mark Goodwin

(74) *Attorney, Agent, or Firm* — Heslin Rothenberg Farley & Mesiti P.C.

(57) **CLAIM**

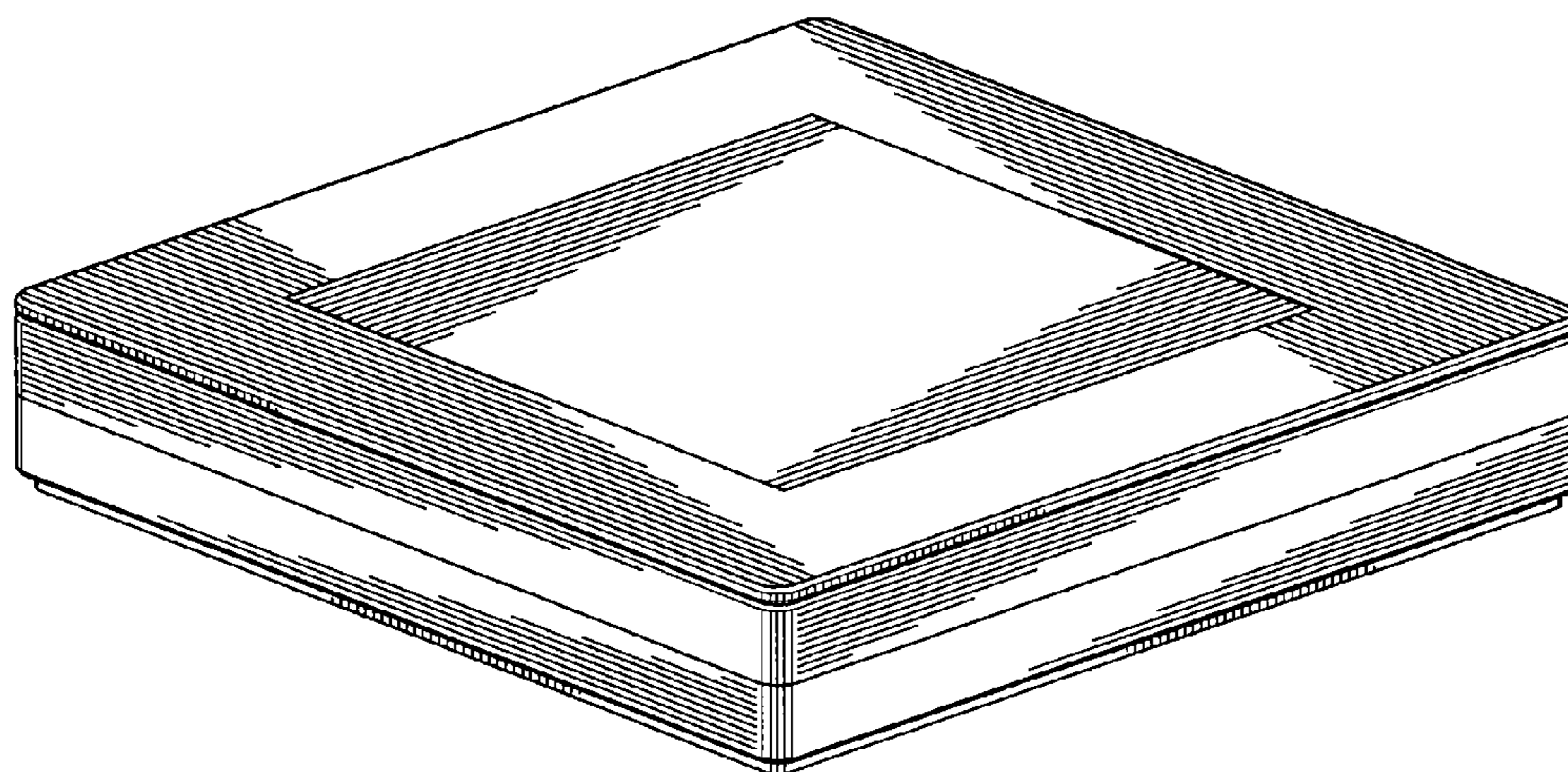
The ornamental design for a packaging assembly for chocolate, as shown and described.

DESCRIPTION

FIG. 1 is a top perspective view of a cover portion for a packaging assembly for chocolate showing my new design; FIG. 2 is a top view of the cover shown in FIG. 1; FIG. 3 is a side view of the cover shown in FIG. 1; FIG. 4 is a bottom view of the cover shown in FIG. 1; FIG. 5 is a top perspective view of a box portion for a packaging assembly for chocolate showing my new design; FIG. 6 is a top view of the box shown in FIG. 5; FIG. 7 is a side view of the box shown in FIG. 5; FIG. 8 is a bottom view of the box shown in FIG. 5; FIG. 9 is a perspective view of a packaging assembly for chocolate showing my new design assembled in use condition; FIG. 10 is a top view of the cover and the box shown in FIG. 9; FIG. 11 is a side view of the cover and the box shown in FIG. 9; FIG. 12 is a bottom view of the cover and the box shown in FIG. 9; FIG. 13 is a perspective view of an alternate embodiment of a packaging assembly for chocolate showing my new design in a stacked configuration; FIG. 14 is a top view of the alternative embodiment shown in FIG. 13; FIG. 15 is a side view of the alternative embodiment shown in FIG. 13; and, FIG. 16 is a bottom view of the alternative embodiment shown in FIG. 13.

The broken lines are shown for illustrative purposes only and form no part of the claimed design.

1 Claim, 10 Drawing Sheets



US D687,321 S

Page 2

U.S. PATENT DOCUMENTS

5,540,334	A *	7/1996	Haas et al.	206/563	D515,943	S *	2/2006	Hamblin et al.	D9/756
D380,961	S *	7/1997	Schnack	D9/759	D538,538	S *	3/2007	Espinosa	D3/313
5,765,690	A *	6/1998	Baxter	206/562	D567,672	S *	4/2008	Sheu	D9/758
5,817,510	A *	10/1998	Pandey et al.	435/305.3	7,562,787	B2 *	7/2009	Serrano	220/507
D411,308	S *	6/1999	Pandey et al.	D24/230	D624,661	S *	9/2010	Himmelsbach et al.	D24/230
D424,425	S *	5/2000	Ngai	D9/756	D628,305	S *	11/2010	Gorrec et al.	D24/229
6,296,120	B1 *	10/2001	Danko	206/564	D639,447	S *	6/2011	Karpiloff	D24/230
6,311,842	B1 *	11/2001	Minerich et al.	206/562	D653,767	S *	2/2012	Lovshe	D24/230
D492,194	S *	6/2004	Kim	D9/757	D673,864	S *	1/2013	Read et al.	D9/759
D515,941	S *	2/2006	Hamblin et al.	D9/756	2002/0108880	A1 *	8/2002	Krupa et al.	206/497
D515,942	S *	2/2006	Hamblin et al.	D9/756	2003/0163936	A1 *	9/2003	Floss et al.	40/107

* cited by examiner

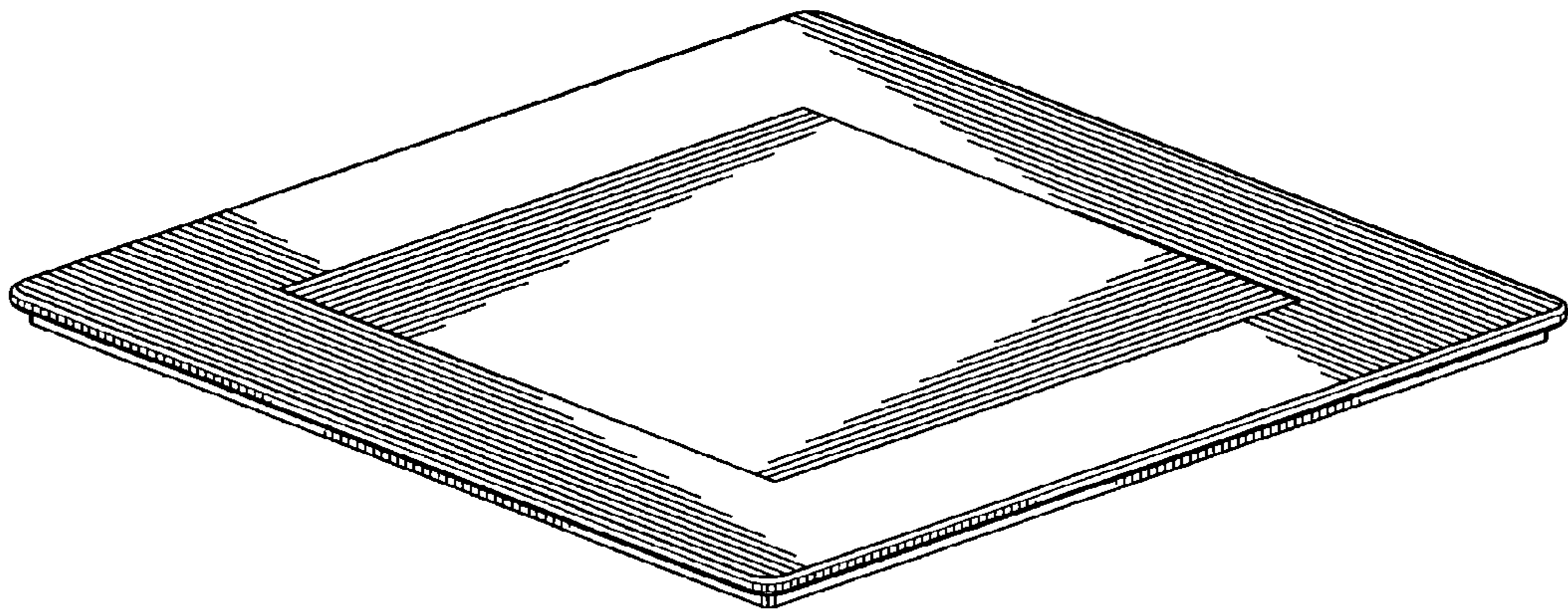


FIG. 1

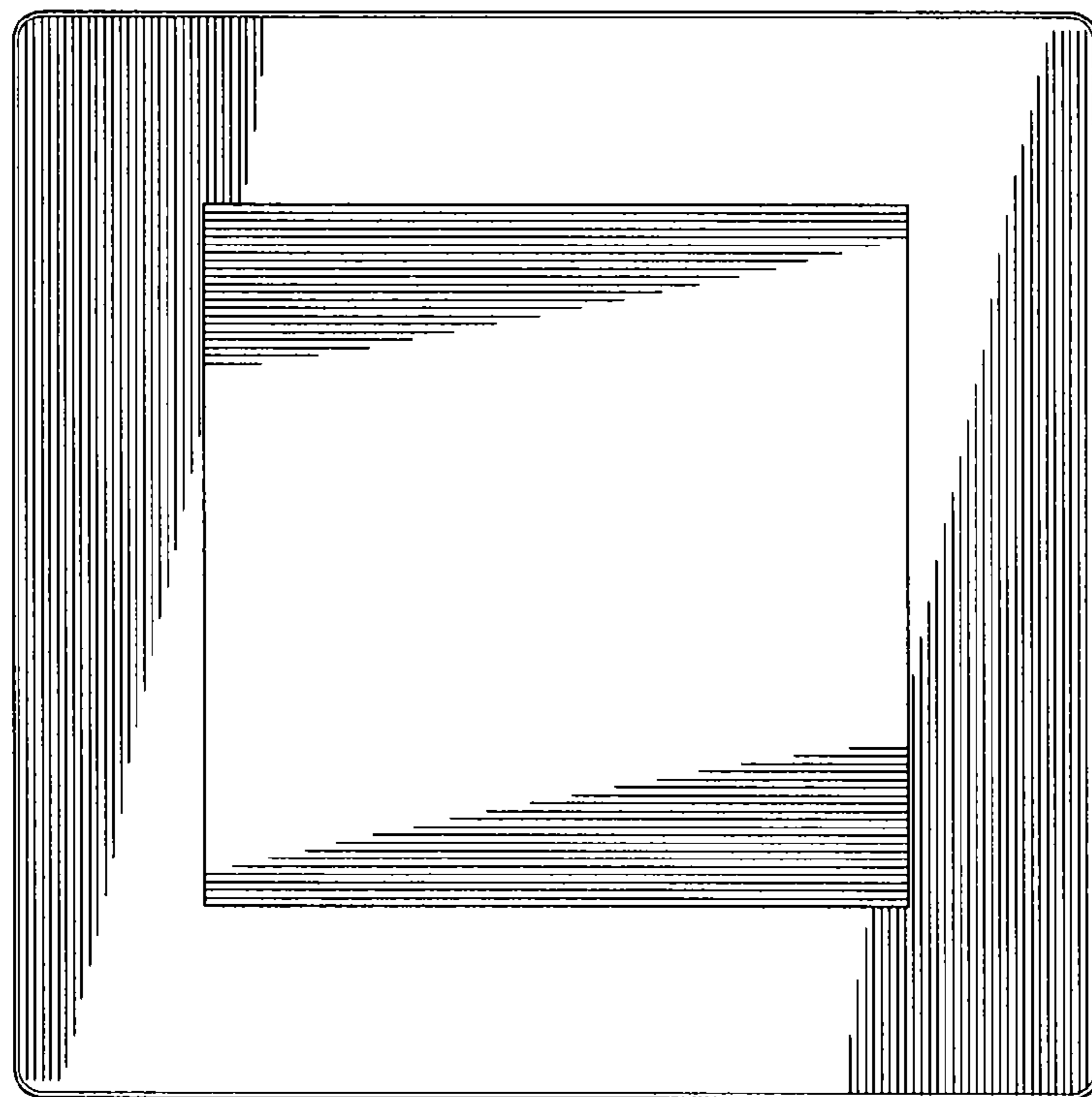


FIG. 2

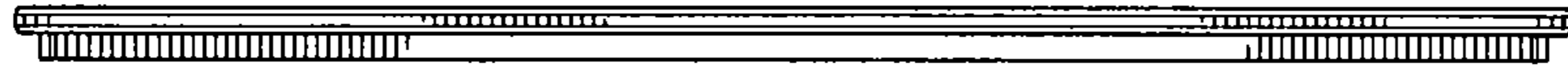


FIG. 3

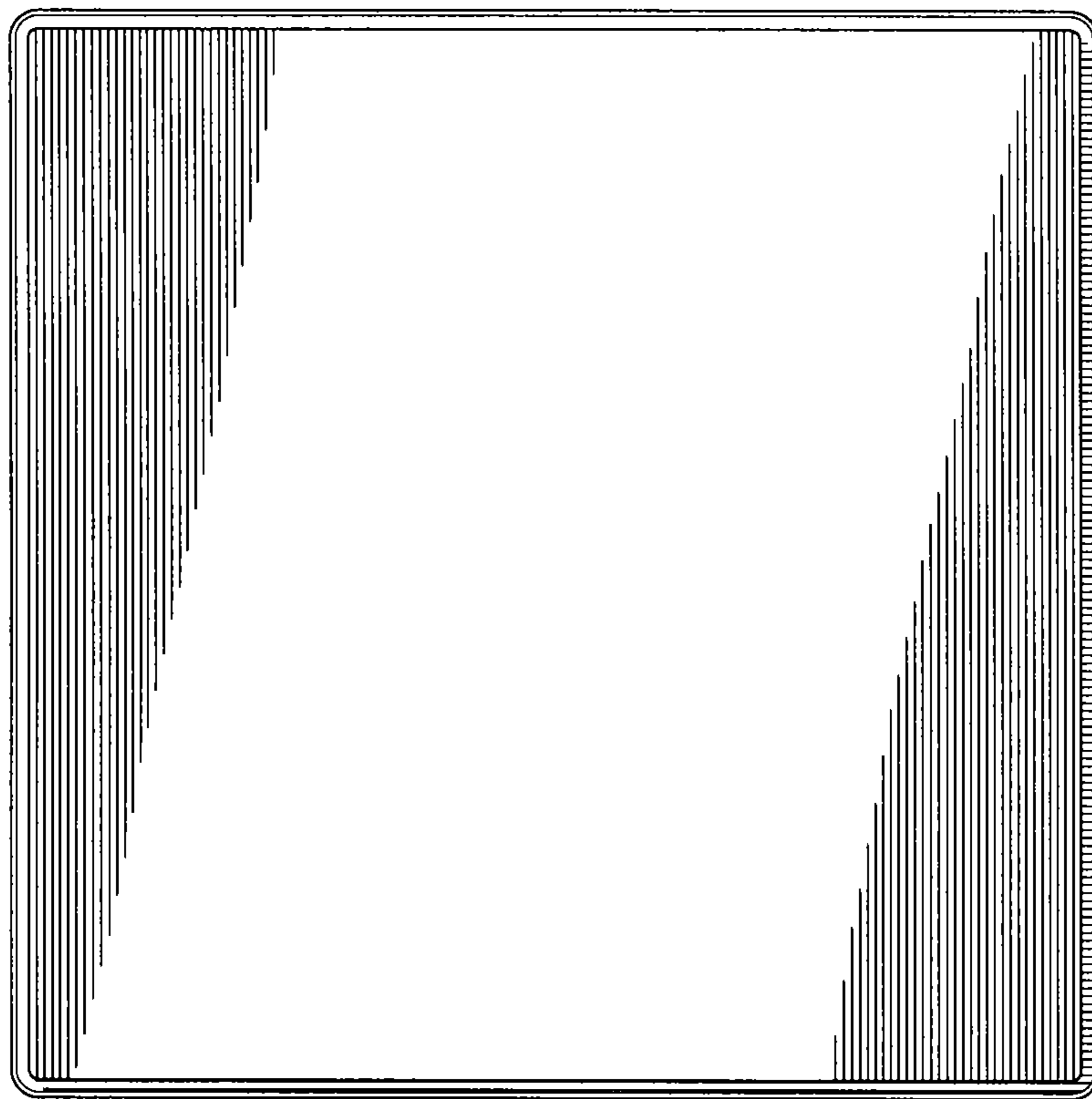


FIG. 4

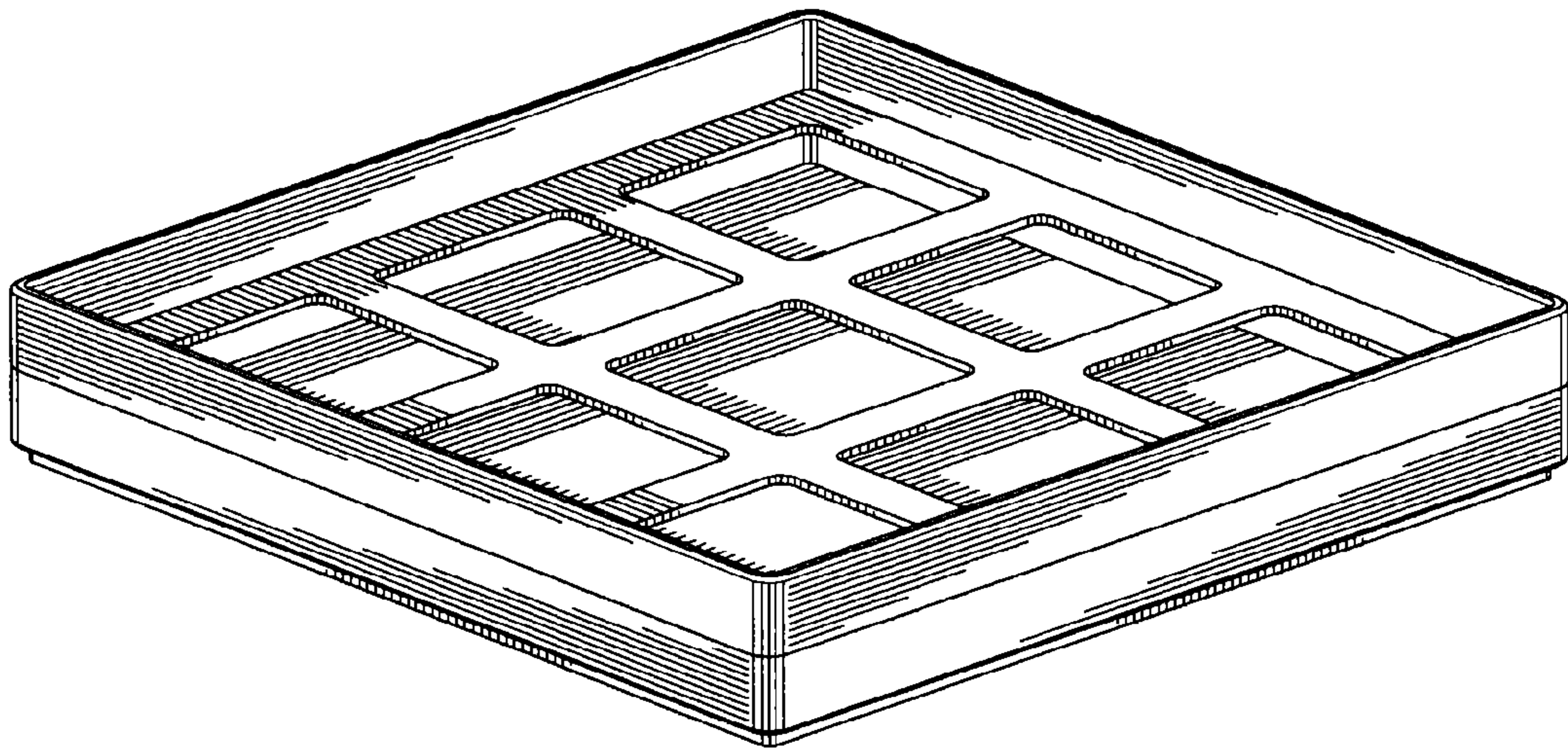


FIG. 5

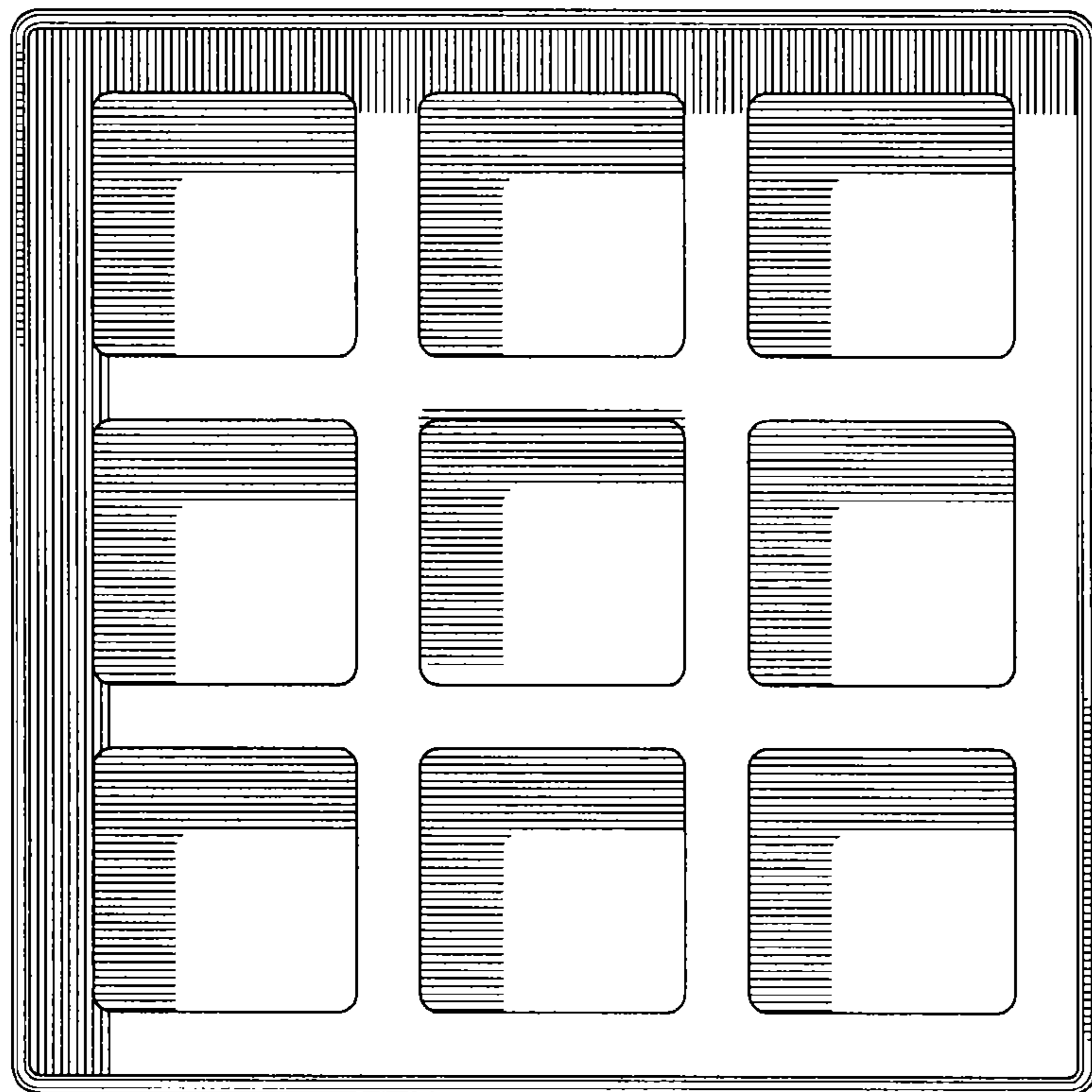


FIG. 6

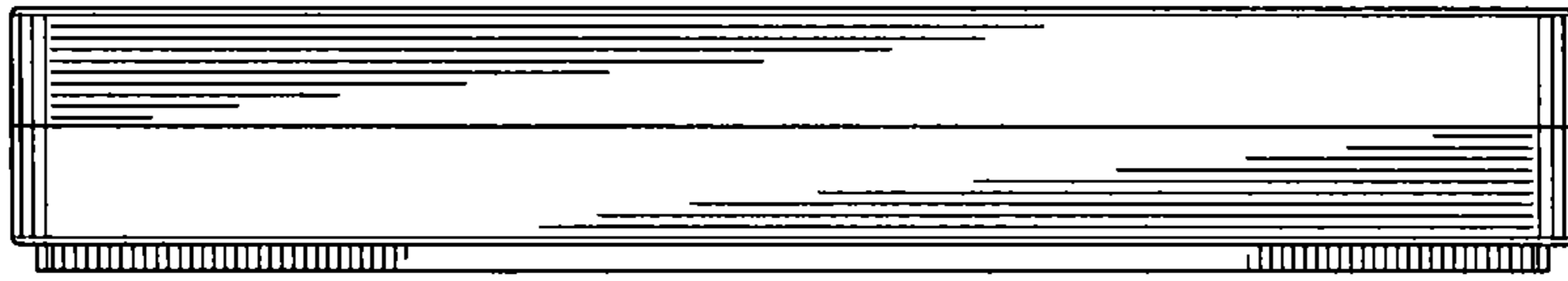


FIG. 7

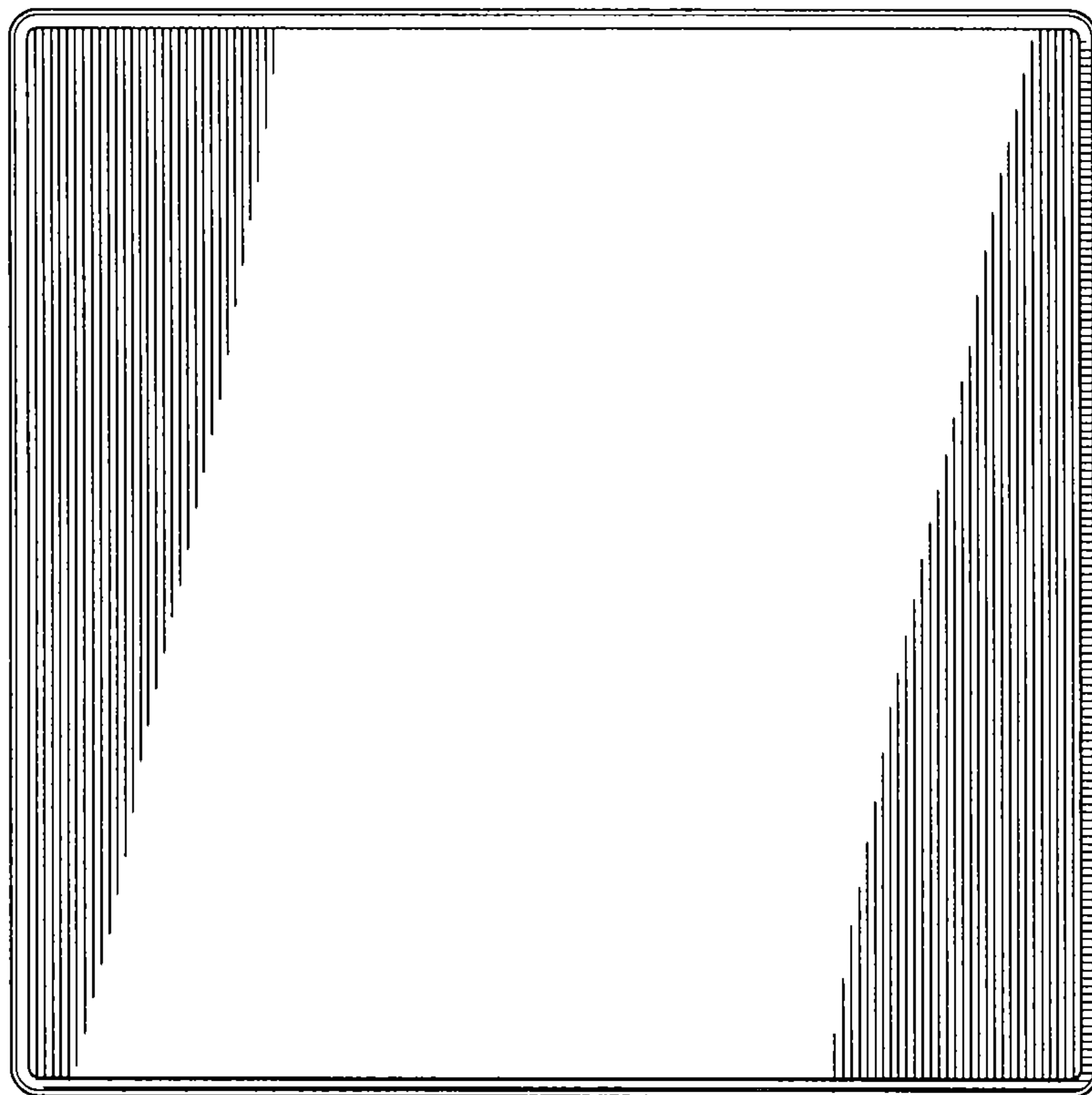


FIG. 8

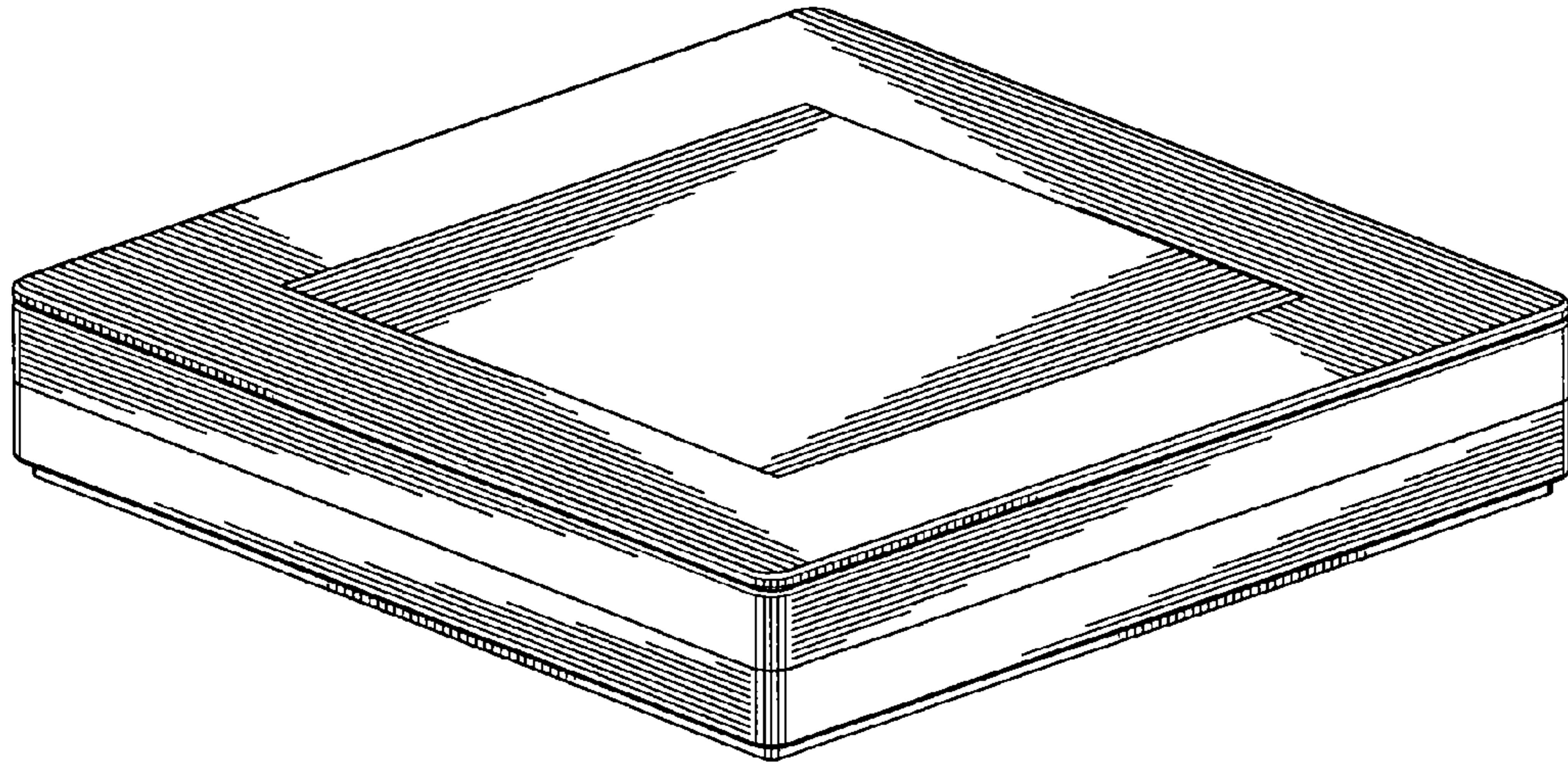


FIG. 9

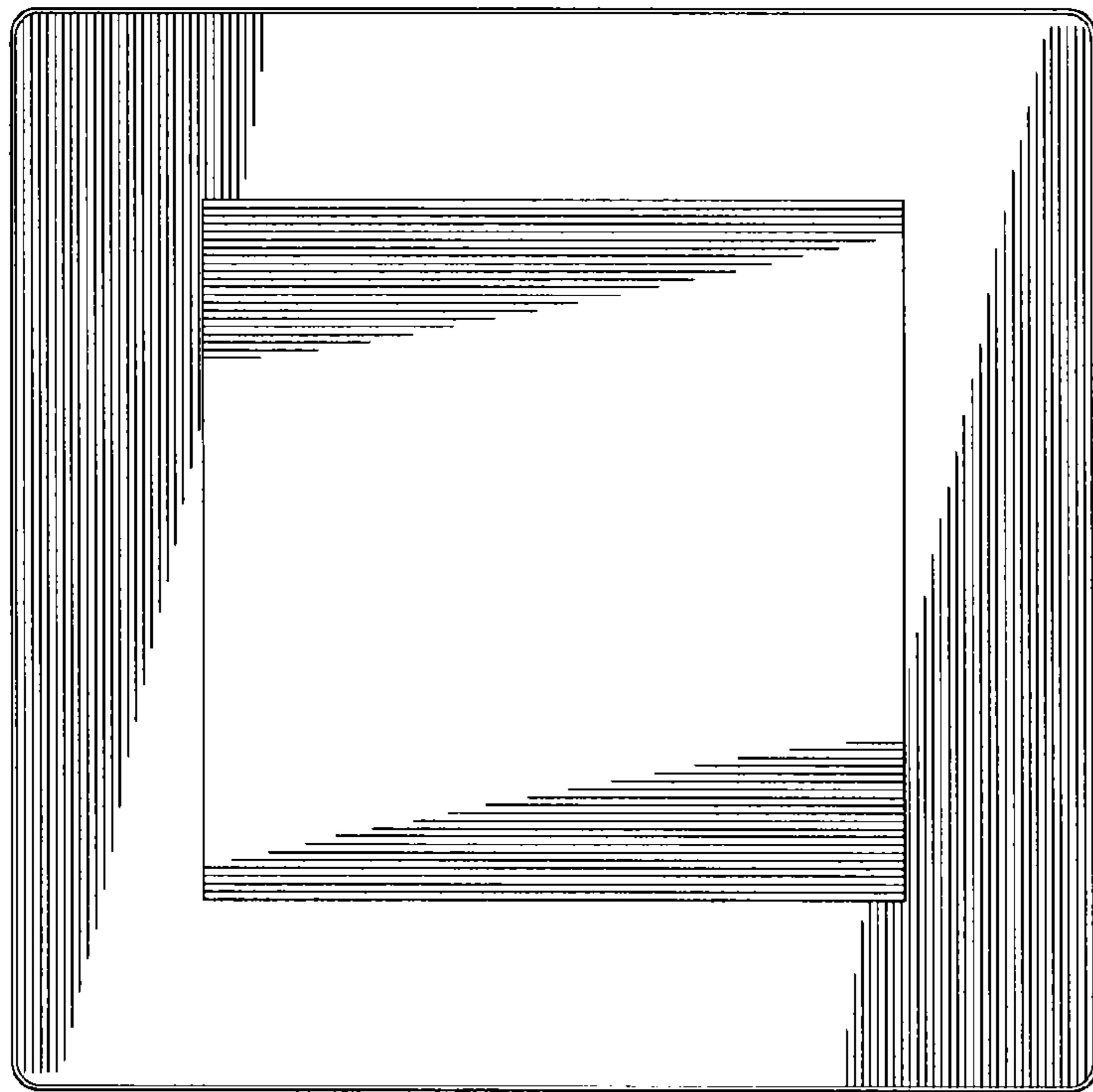


FIG. 10

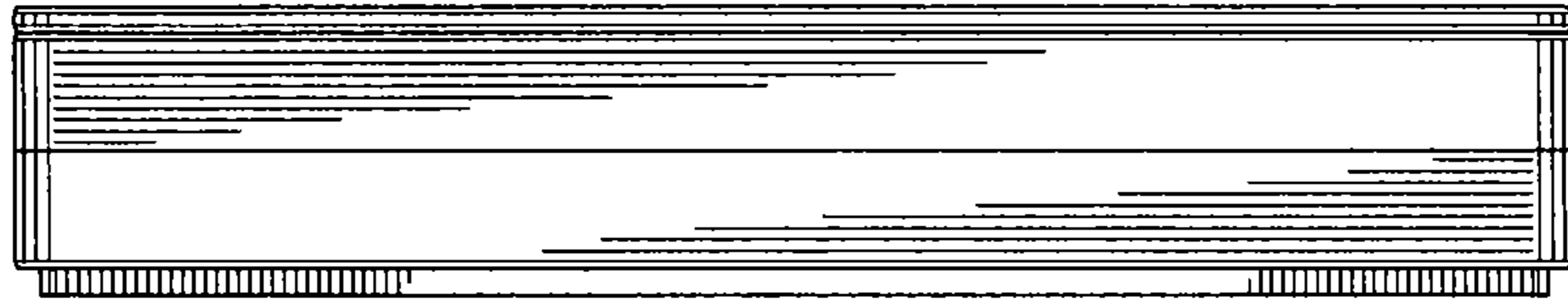


FIG. 11

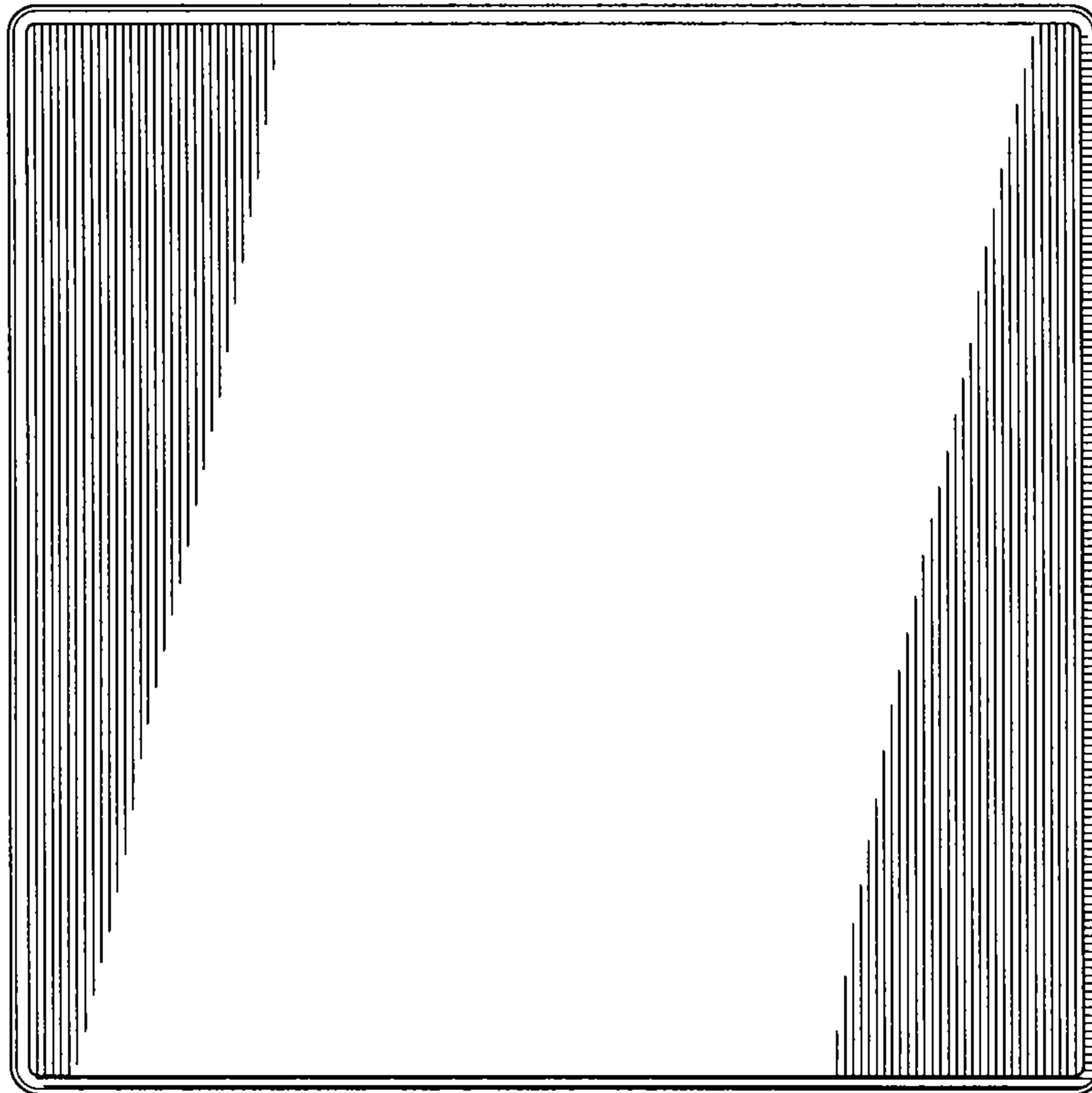


FIG. 12

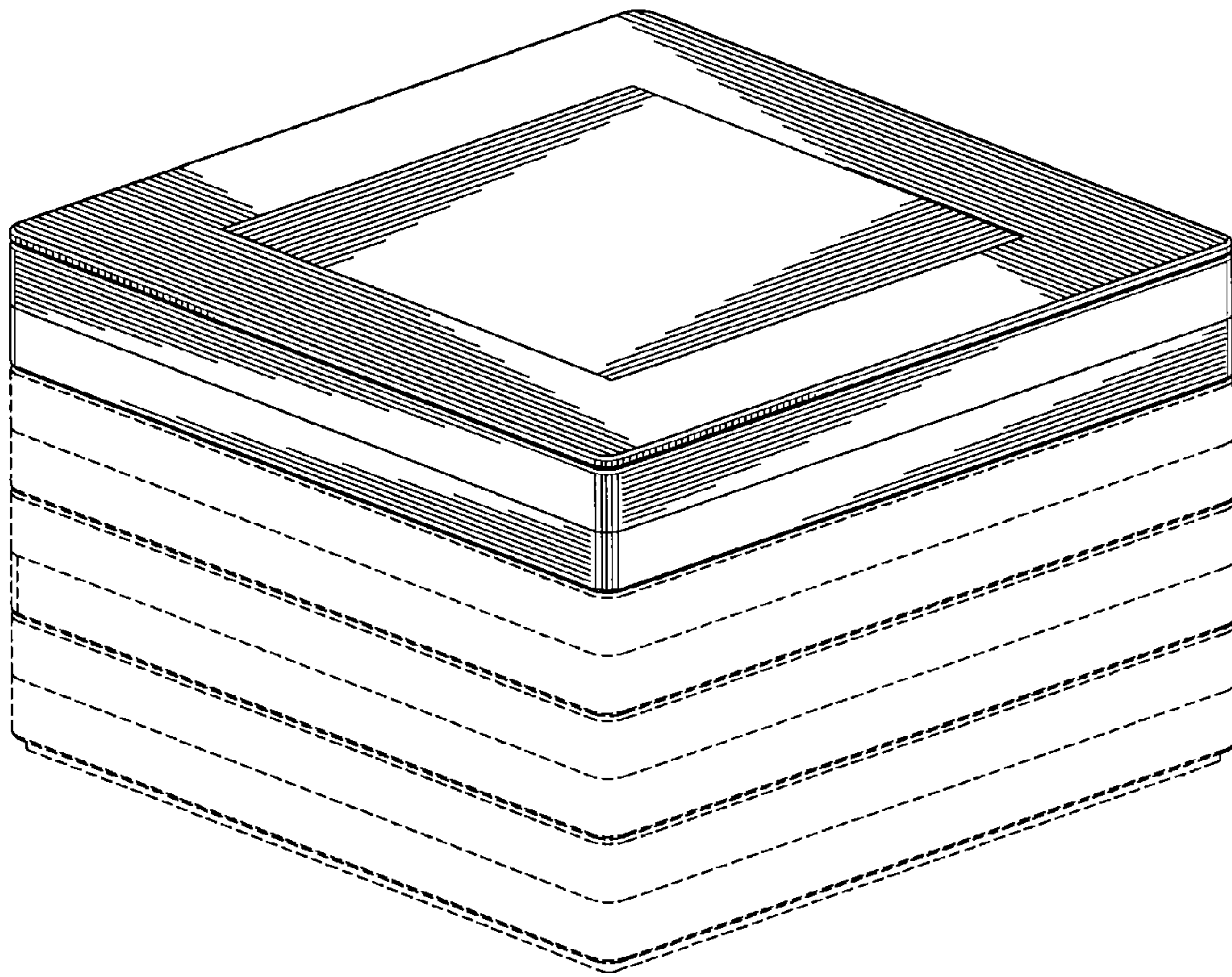


FIG. 13

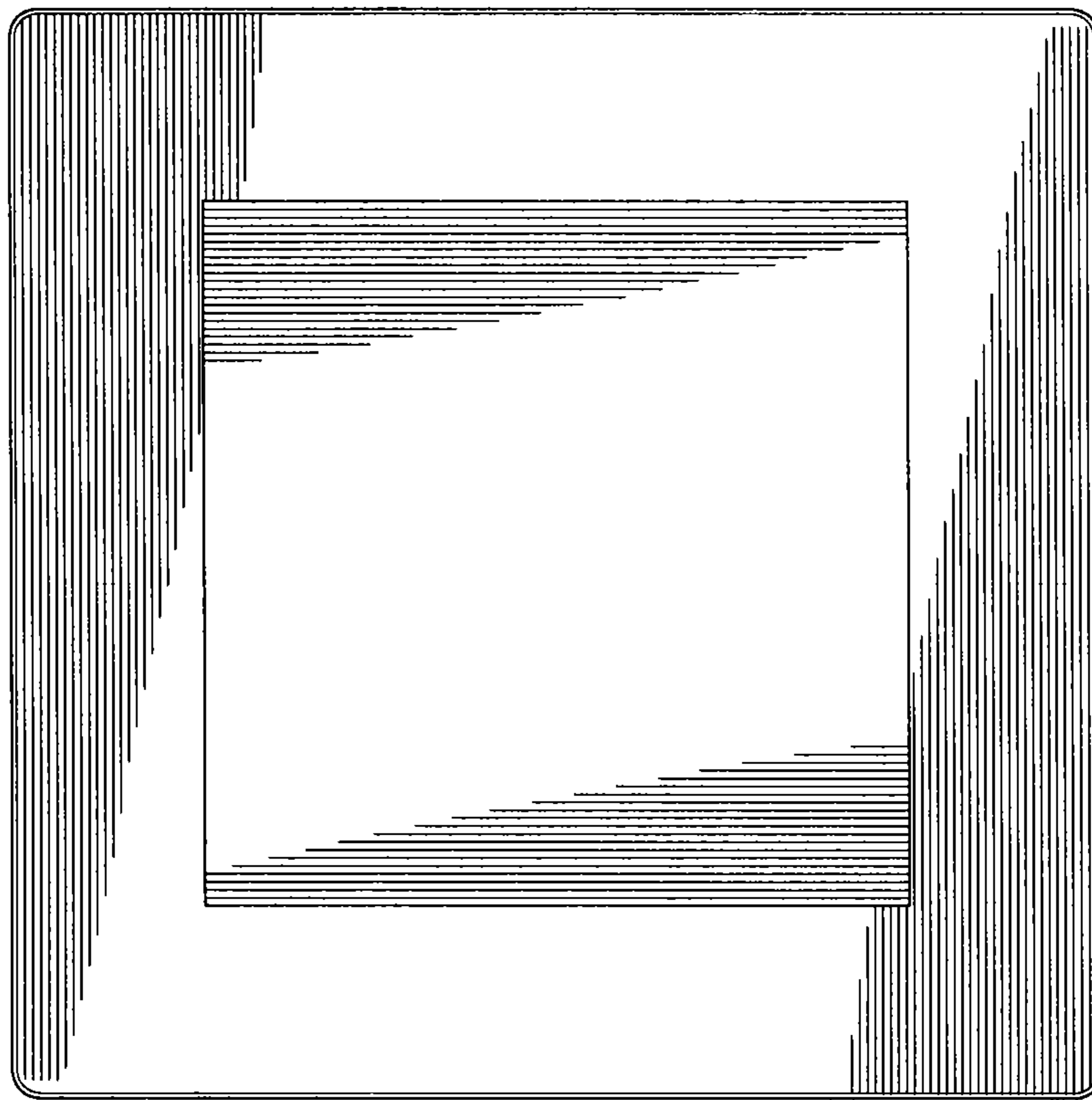


FIG. 14

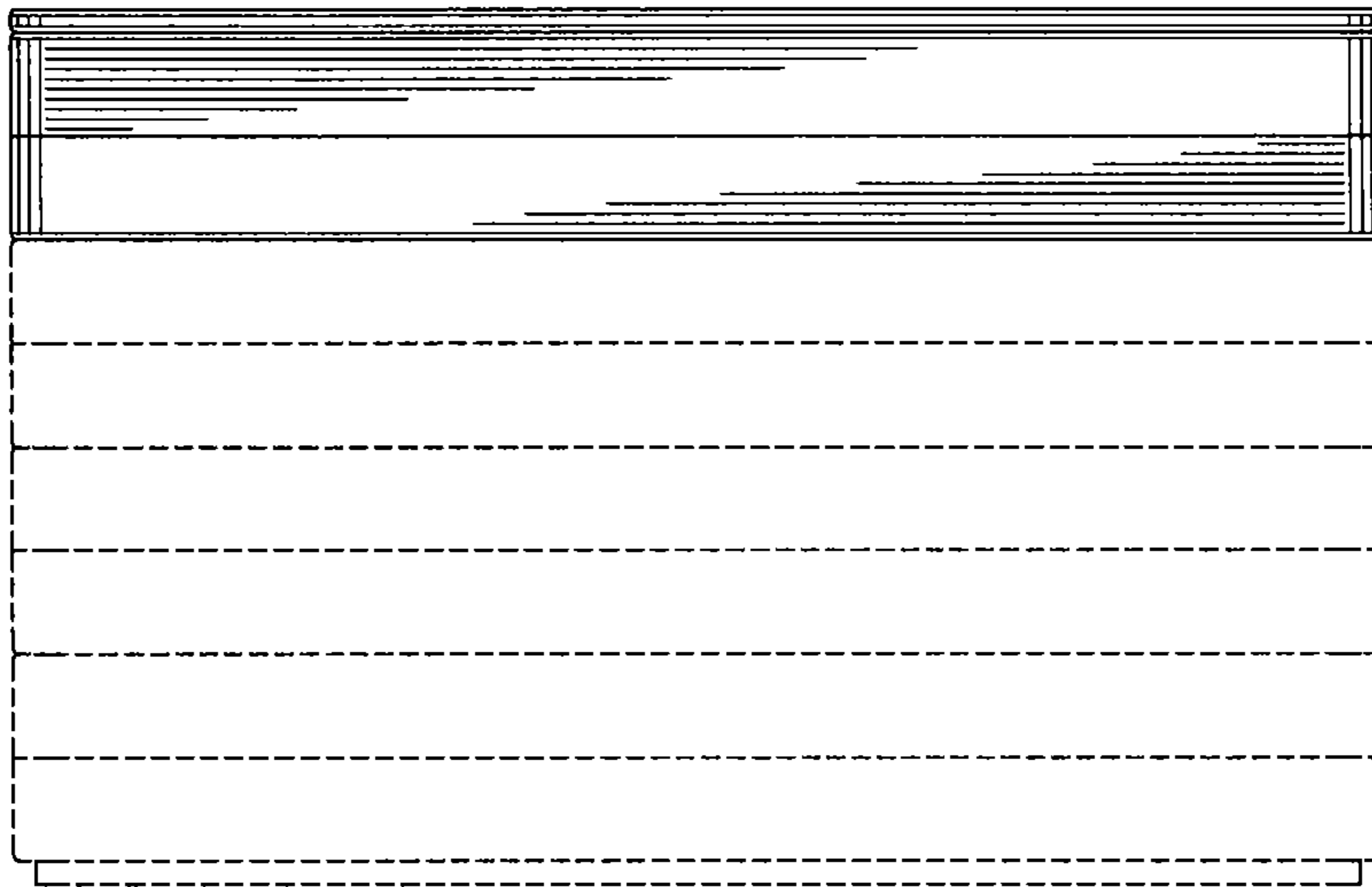


FIG. 15

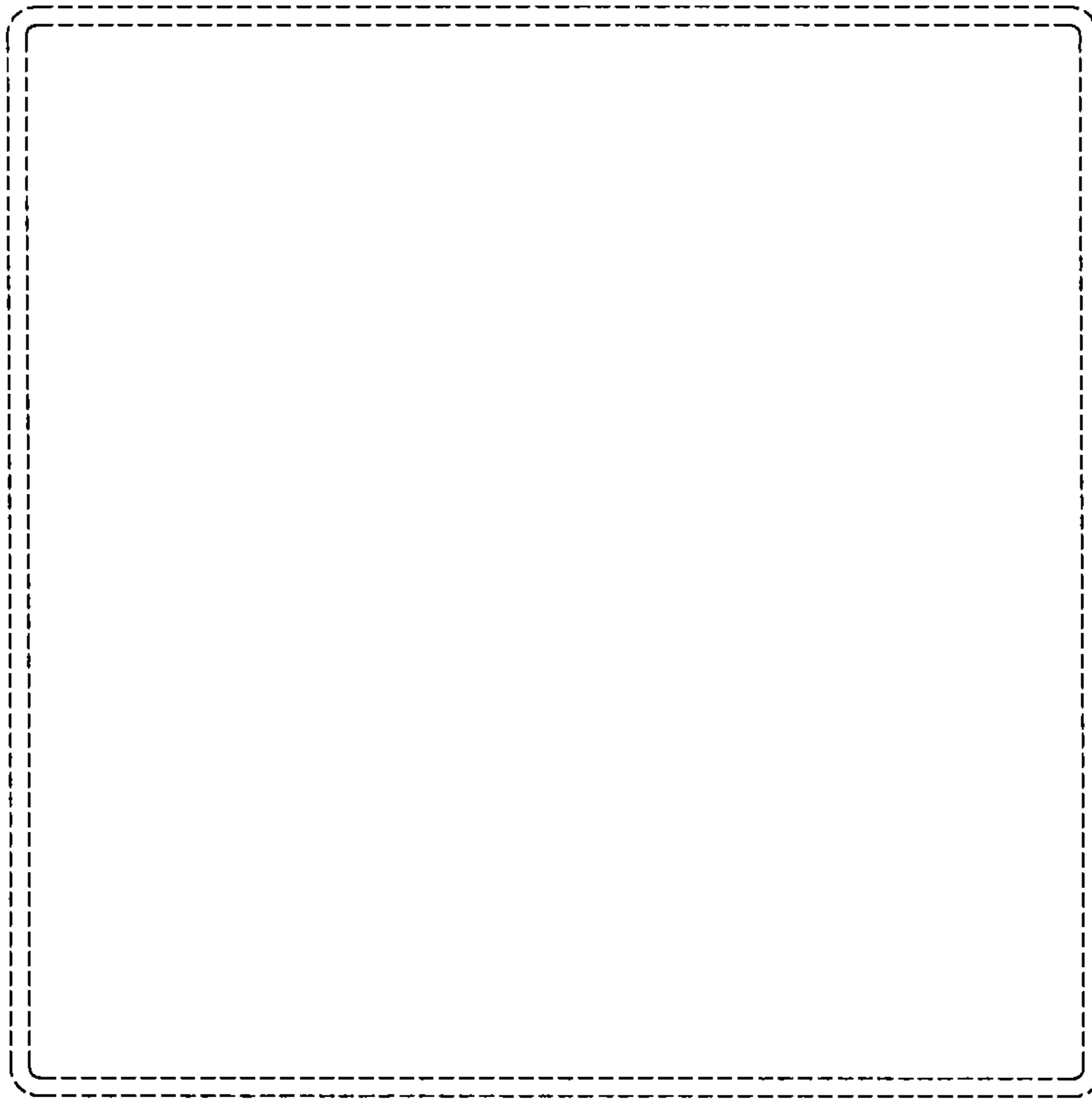


FIG. 16