



US00D687315S

(12) **United States Design Patent**
Limback et al.

(10) **Patent No.:** **US D687,315 S**
(45) **Date of Patent:** **** Aug. 6, 2013**

(54) **Z-SHAPED BLISTER CARD**
(75) Inventors: **Nancy Gail Limback**, Bridgewater, NJ
(US); **Donald Edward Luzynski**,
Bridgewater, NJ (US)

(73) Assignee: **Aventisub II Inc**, Greenville, DE (US)

(**) Term: **14 Years**

(21) Appl. No.: **29/428,733**

(22) Filed: **Aug. 2, 2012**

(51) **LOC (9) Cl.** **09-01**

(52) **U.S. Cl.**
USPC **D9/652; D9/732**

(58) **Field of Classification Search**
USPC D9/600, 652, 730–733, 414–415,
D9/420, 423–426; 206/457, 461–471, 495
See application file for complete search history.

(56) **References Cited**

U.S. PATENT DOCUMENTS

D48,216 S * 11/1915 Zweck D9/652
D117,605 S * 11/1939 Blunt D9/652

D234,294 S * 2/1975 Gorman D9/732
D313,182 S * 12/1990 Diepois D9/415
D319,577 S * 9/1991 Schwarz D9/652
D380,960 S * 7/1997 Blotsky D9/652
D545,690 S * 7/2007 Tsutsumi et al. D9/732
D554,530 S * 11/2007 Tsutsumi et al. D9/732

* cited by examiner

Primary Examiner — Sandra Morris

(74) *Attorney, Agent, or Firm* — Scully, Scott, Murphy &
Presser, P.C.

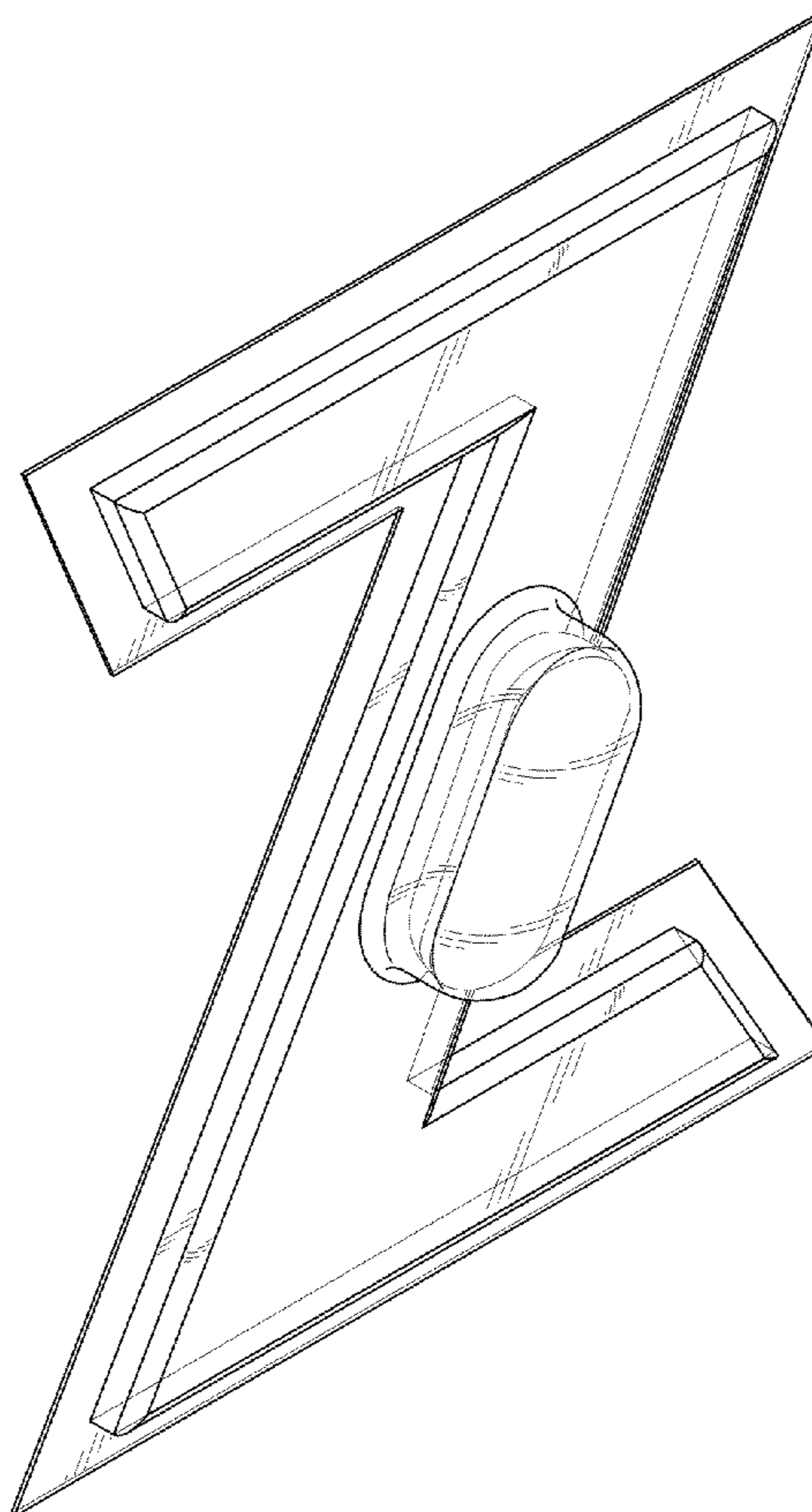
(57) **CLAIM**

The ornamental design for a z-shaped blister card, as shown.

DESCRIPTION

FIG. 1 is a perspective view of a z-shaped blister card showing
our new design;
FIG. 2 is a front elevation view thereof;
FIG. 3 is a rear elevation view thereof;
FIG. 4 is a side elevation view thereof;
FIG. 5 is an opposite side elevation view thereof;
FIG. 6 is a top view thereof; and,
FIG. 7 is a bottom view thereof.

1 Claim, 5 Drawing Sheets



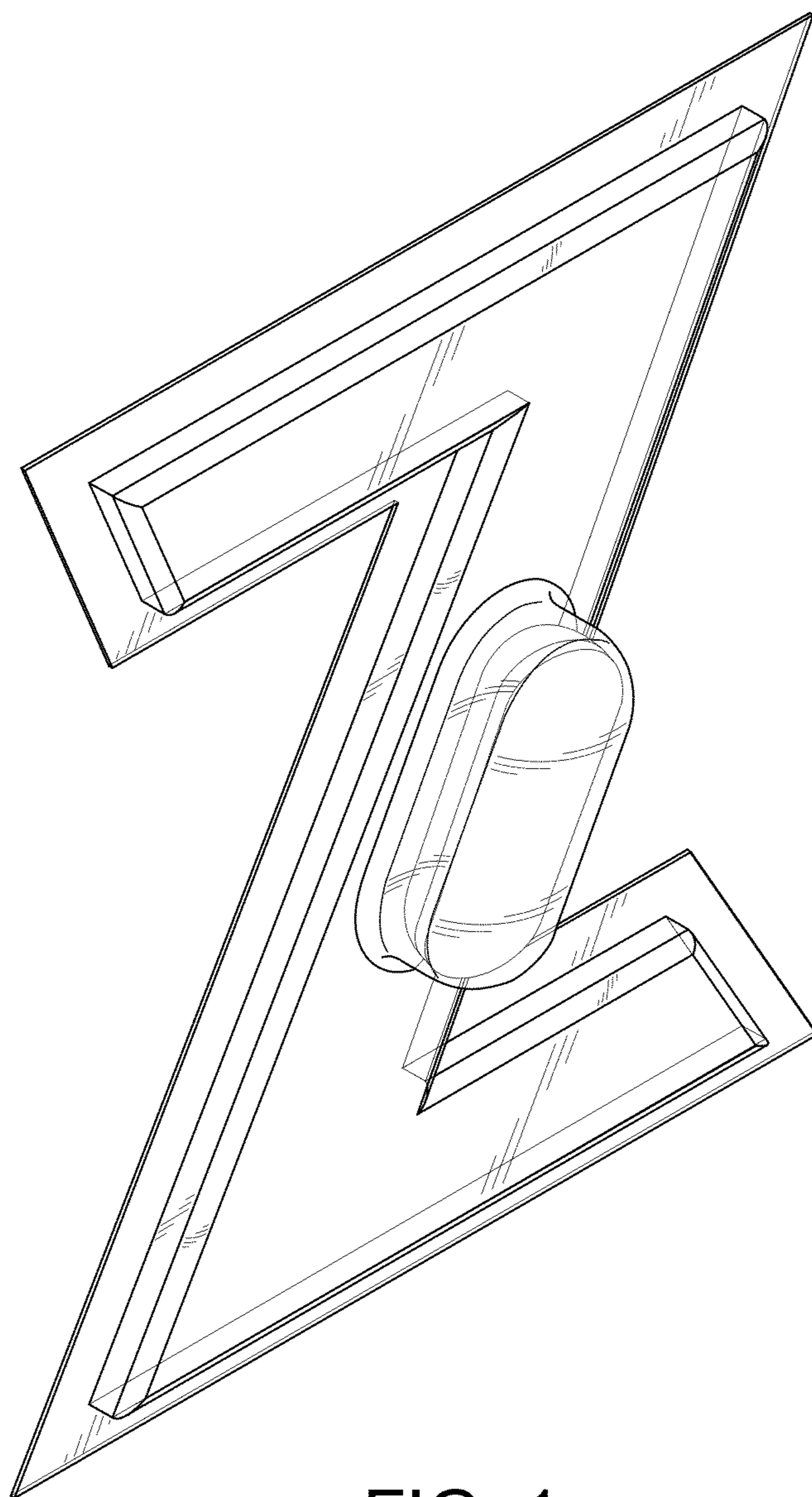


FIG. 1

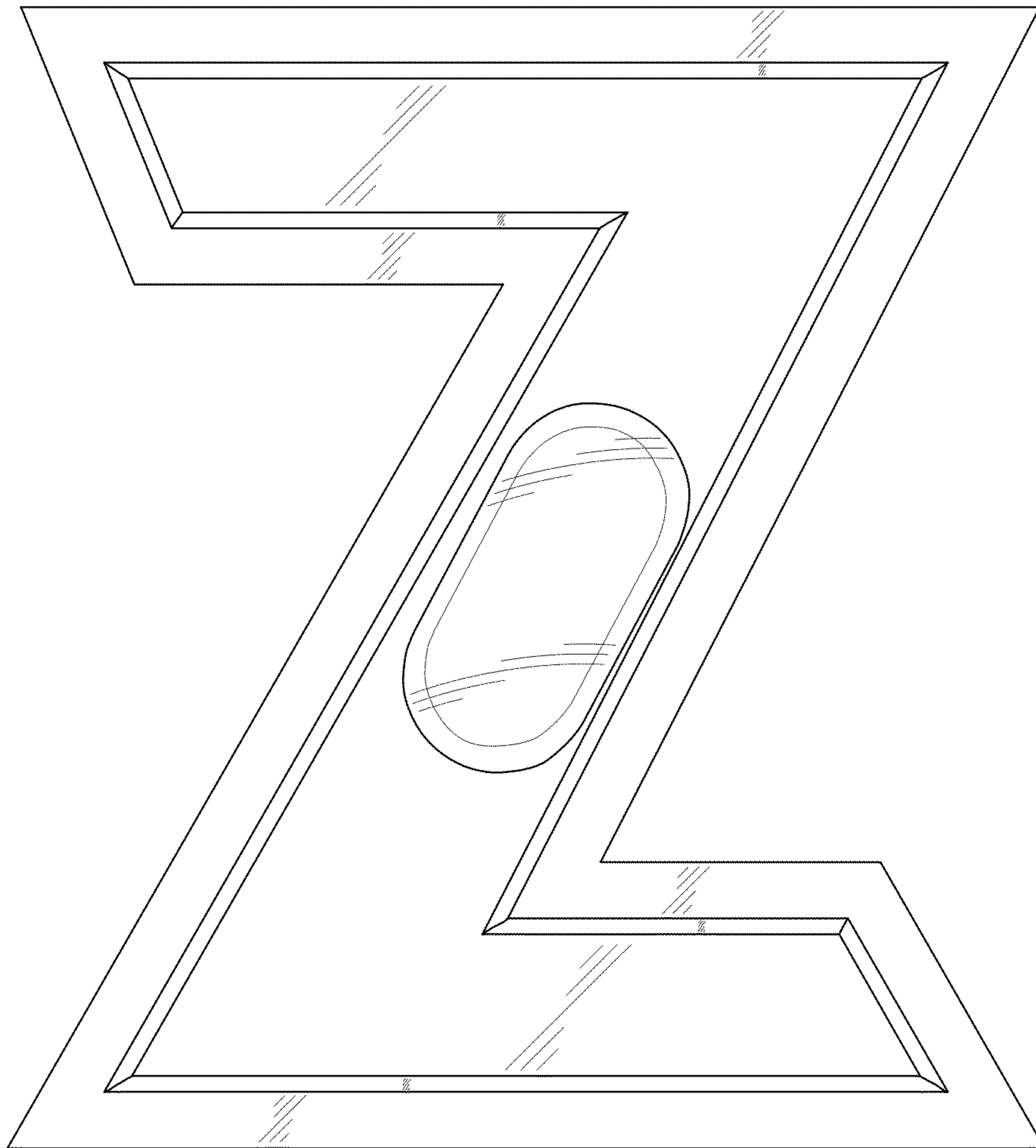


FIG. 2

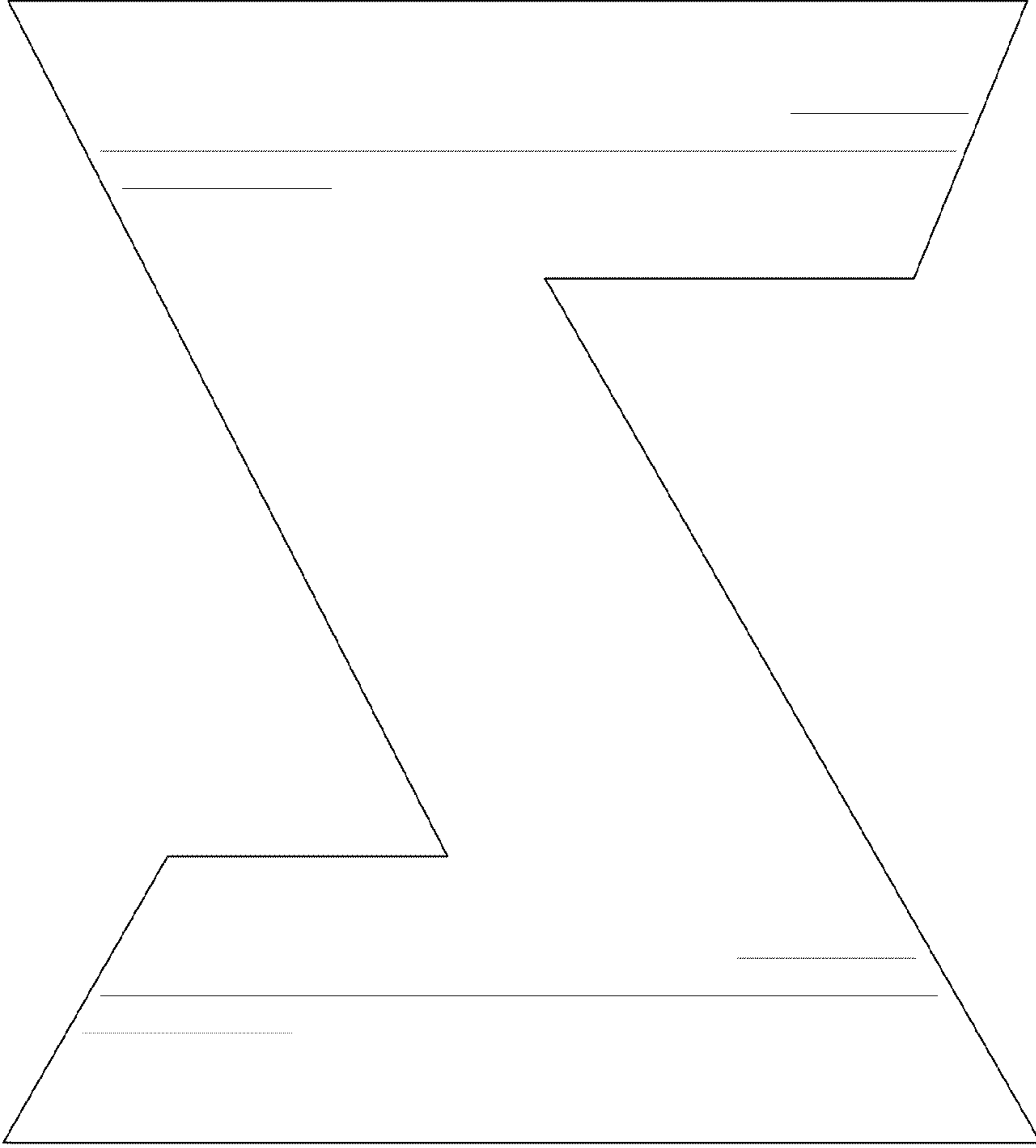


FIG. 3

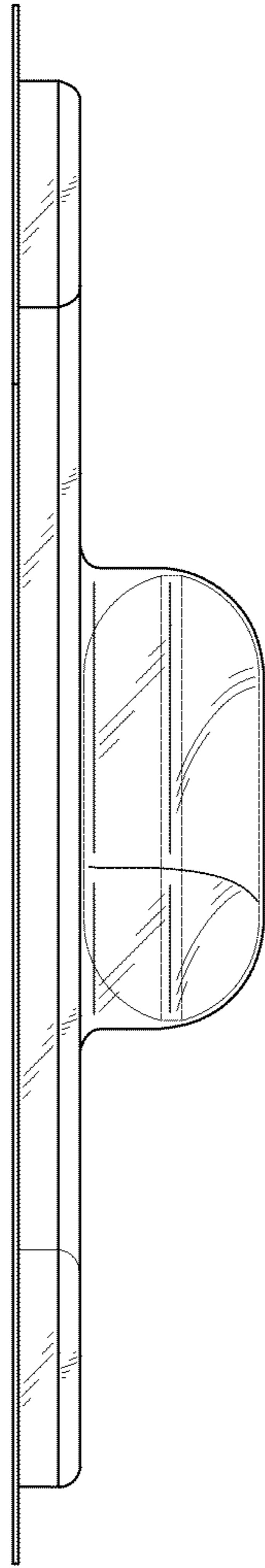


FIG. 4

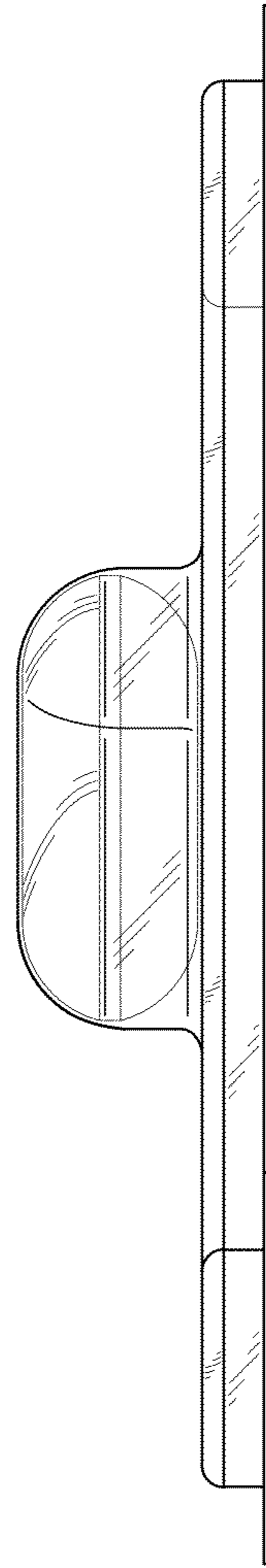


FIG. 5

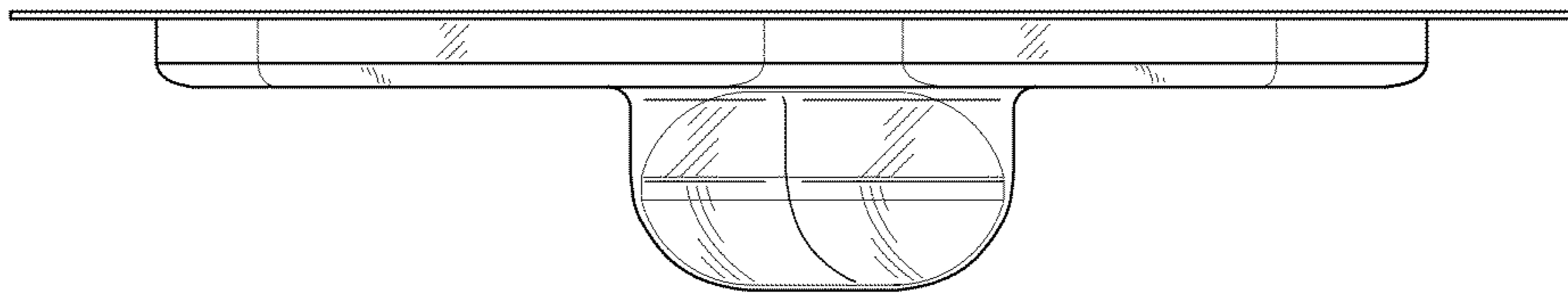


FIG. 6

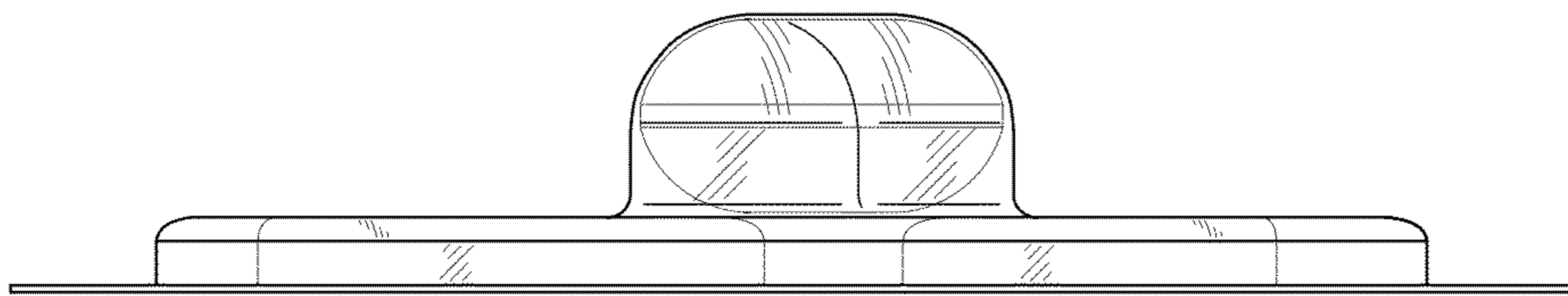


FIG. 7