



US00D687313S

(12) **United States Design Patent**
Limback

(10) **Patent No.:** **US D687,313 S**

(45) **Date of Patent:** **** Aug. 6, 2013**

- (54) **A-SHAPED BLISTER CARD**
- (75) Inventor: **Nancy Gail Limback**, Bridgewater, NJ (US)
- (73) Assignee: **Aventisub II Inc.**, Greenville, DE (US)
- (**) Term: **14 Years**
- (21) Appl. No.: **29/416,878**
- (22) Filed: **Mar. 28, 2012**
- (51) **LOC (9) Cl.** **09-01**
- (52) **U.S. Cl.**
USPC **D9/652; D9/732**
- (58) **Field of Classification Search**
USPC D9/600, 652, 730-733, 414-415,
D9/420, 423-426; 206/457, 461-471, 495
See application file for complete search history.

- D280,387 S 9/1985 Morgan
- D285,176 S 8/1986 Kodousek et al.
- D286,140 S 10/1986 Kodousek et al.
- 4,660,991 A 4/1987 Simon
- 4,805,377 A 2/1989 Carter
- 4,817,819 A 4/1989 Kelly
- 4,838,425 A 6/1989 O'Brien et al.
- D303,931 S 10/1989 Miller et al.
- 4,876,843 A 10/1989 O'Brien et al.
- D305,000 S 12/1989 Hernandez
- 4,884,693 A 12/1989 Brüttsch
- 4,890,763 A 1/1990 Curiel
- D305,870 S 2/1990 Perkins
- D306,825 S 3/1990 Siegel

(Continued)

OTHER PUBLICATIONS

U.S. Office Action dated Mar. 25, 2013 issued in U.S. Appl. No. 29/416,880.

(Continued)

Primary Examiner — Sandra Morris

(74) *Attorney, Agent, or Firm* — Scully, Scott, Murphy & Presser, P.C.

(56) **References Cited**

U.S. PATENT DOCUMENTS

- D117,605 S * 11/1939 Blunt D9/652
- 2,317,860 A 4/1943 Sorensen
- D190,530 S 6/1961 Bender
- 3,054,503 A 9/1962 Hartman, Jr. et al.
- 3,331,495 A 7/1967 Leckzik et al.
- 3,387,699 A 6/1968 Heller
- 3,429,426 A 2/1969 Wolf et al.
- 3,540,579 A 11/1970 Hellstrom
- D220,750 S 5/1971 Artz
- D220,752 S 5/1971 Artz
- 3,620,411 A 11/1971 Rump
- D234,294 S * 2/1975 Gorman D9/732
- D253,040 S 10/1979 Fournier et al.
- D253,167 S 10/1979 Fournier et al.
- D253,222 S 10/1979 Fournier et al.
- D253,515 S 11/1979 Meierhoefer
- D253,516 S 11/1979 Meierhoefer
- D253,751 S 12/1979 Meierhoefer
- D271,283 S 11/1983 Taylor
- 4,537,312 A 8/1985 Intini

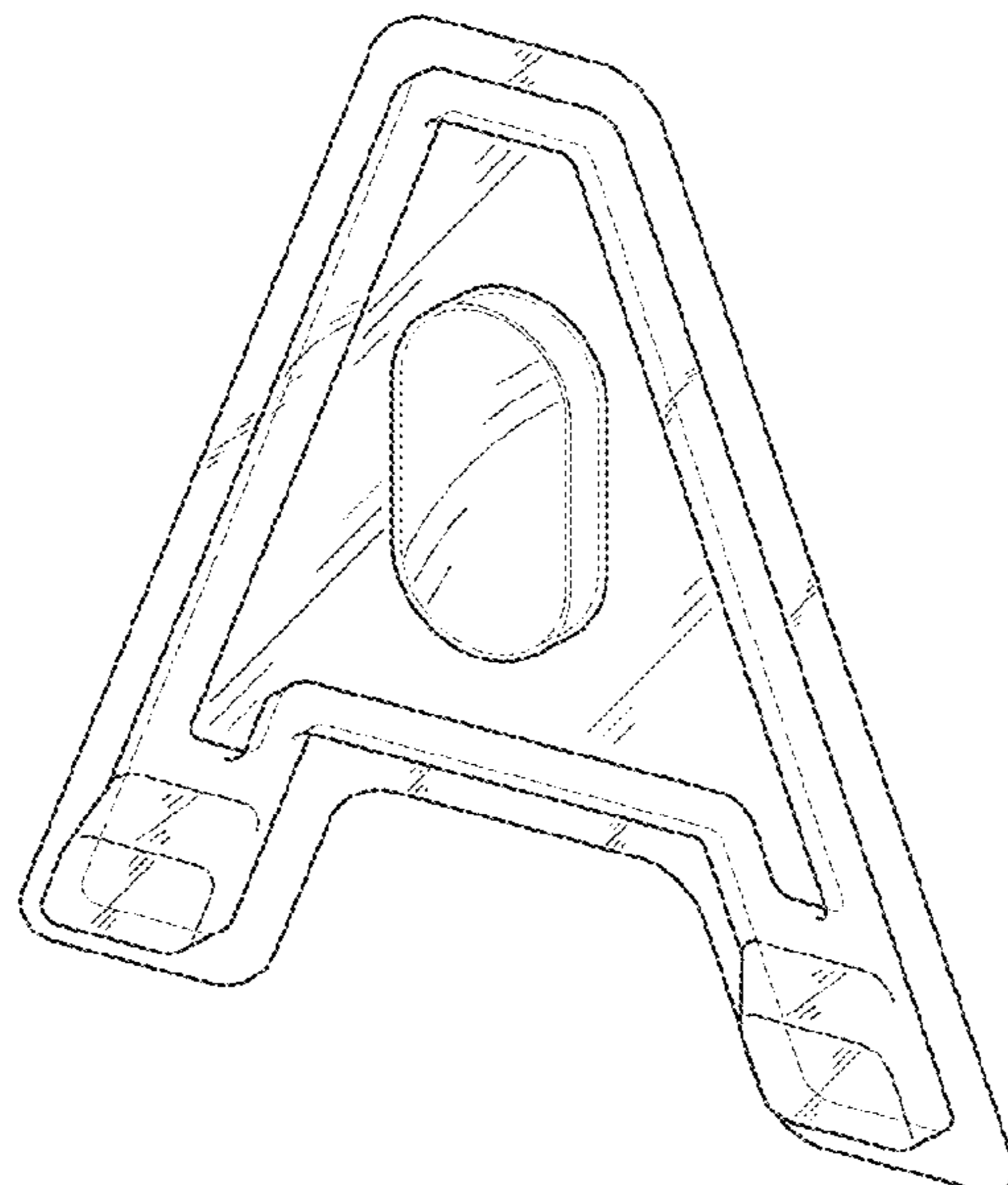
(57) **CLAIM**

The ornamental design for an A-shaped blister card, as shown.

DESCRIPTION

FIG. 1 is a perspective view of an A-shaped blister card showing my new design;
FIG. 2 is a front view thereof;
FIG. 3 is a rear view thereof;
FIG. 4 is a side view thereof;
FIG. 5 is an opposite side view thereof;
FIG. 6 is a top view thereof; and,
FIG. 7 is a bottom view thereof.

1 Claim, 5 Drawing Sheets



US D687,313 S

Page 2

U.S. PATENT DOCUMENTS					
4,905,866 A	3/1990	Bartell et al.	5,740,938 A	4/1998	Hofmann et al.
D307,554 S	5/1990	McAlister, Sr.	D394,003 S	5/1998	Tate
4,945,708 A	8/1990	Curiel	5,752,615 A	5/1998	Hofmann et al.
4,947,620 A	8/1990	Carter	5,756,577 A	5/1998	Gutiérrez-Villarreal
4,955,481 A	9/1990	Novinski et al.	5,758,774 A	6/1998	Leblong
D311,332 S	10/1990	Miller et al.	5,775,505 A	7/1998	Vasquez et al.
4,962,856 A	10/1990	Carter	5,785,180 A	7/1998	Dressel et al.
D313,182 S *	12/1990	Diepois D9/415	5,786,598 A	7/1998	Clark et al.
4,975,015 A	12/1990	Harding	5,791,478 A	8/1998	Kalvelage et al.
4,988,004 A	1/1991	Intini	5,794,781 A	8/1998	Roulin et al.
4,998,623 A	3/1991	Doull	D398,521 S	9/1998	Coe
5,014,851 A	5/1991	Wick	5,802,804 A	9/1998	Esposti et al.
5,033,251 A	7/1991	Rodriguez	5,819,940 A	10/1998	Roulin et al.
5,033,252 A	7/1991	Carter	5,833,071 A	11/1998	Ray
5,040,353 A	8/1991	Evans et al.	5,833,072 A	11/1998	Lambelet, Jr.
D319,577 S *	9/1991	Schwarz D9/652	D403,955 S	1/1999	Siegel et al.
5,046,618 A	9/1991	Wood	D404,644 S	1/1999	Meeker
5,050,739 A	9/1991	Hannan et al.	5,858,401 A	1/1999	Bhalani et al.
5,052,558 A	10/1991	Carter	D405,361 S	2/1999	Cameron et al.
D325,526 S	4/1992	Deguchi et al.	5,873,860 A	2/1999	Kahlert
5,109,984 A	5/1992	Romick	5,878,887 A	3/1999	Parker et al.
D327,425 S	6/1992	Hamada et al.	5,879,612 A	3/1999	Zeiter et al.
D327,426 S	6/1992	Karita et al.	D408,278 S	4/1999	Konop
5,129,527 A	7/1992	Lataix	5,904,249 A	5/1999	Roulin et al.
5,150,793 A	9/1992	Tannenbaum	D411,445 S	6/1999	Anderson
D331,011 S	11/1992	Karita et al.	5,911,319 A	6/1999	Porcelli et al.
D331,012 S	11/1992	Karita et al.	5,911,325 A	6/1999	Breitler
5,172,812 A	12/1992	Wharton et al.	5,927,500 A	7/1999	Godfrey et al.
5,203,455 A	4/1993	Hewelt et al.	5,944,191 A	8/1999	Ray et al.
D336,040 S	6/1993	Philippe	D414,106 S	9/1999	Anderson
5,244,091 A	9/1993	Tannenbaum	5,954,204 A	9/1999	Grabowski
5,251,757 A	10/1993	Relyea et al.	D415,416 S	10/1999	Anderson et al.
5,310,060 A	5/1994	Bitner et al.	D416,484 S *	11/1999	Voden D9/415
5,323,587 A	6/1994	Amaranti	D417,148 S	11/1999	Anderson et al.
5,323,907 A	6/1994	Kalvelage	5,975,304 A	11/1999	Cain et al.
5,344,018 A	9/1994	Severin	D419,439 S	1/2000	Markovsky et al.
D351,343 S	10/1994	Kellar et al.	6,010,784 A	1/2000	Peterson
5,358,118 A	10/1994	Thompson et al.	6,024,222 A	2/2000	Friberg et al.
D352,236 S	11/1994	Althaus	D421,385 S	3/2000	Meeker et al.
D352,237 S	11/1994	Reardon et al.	D421,899 S	3/2000	Eneroth et al.
5,360,116 A	11/1994	Schmiletzky	D421,900 S	3/2000	Eneroth et al.
5,363,968 A	11/1994	Soloman	6,036,016 A	3/2000	Arnold
D353,092 S	12/1994	Green	6,055,794 A	5/2000	Breitler
D354,911 S	1/1995	Weatherford et al.	D427,061 S	6/2000	Niksich
5,377,839 A	1/1995	Relyea et al.	6,082,544 A	7/2000	Romick
5,412,372 A	5/1995	Parkhurst et al.	D430,015 S	8/2000	Himbert et al.
5,415,321 A	5/1995	Gehlert et al.	6,109,000 A	8/2000	Conti
D359,678 S	6/1995	Weatherford et al.	D431,459 S	10/2000	Lee
D359,679 S	6/1995	Weatherford et al.	D431,863 S	10/2000	Richardson
5,437,371 A	8/1995	Lataix	6,135,755 A	10/2000	Zeiter et al.
5,442,892 A	8/1995	Burns, III et al.	6,138,830 A	10/2000	Muggli
5,450,710 A	9/1995	Jensen et al.	6,155,423 A	12/2000	Katzner et al.
5,457,895 A	10/1995	Thompson et al.	6,161,699 A	12/2000	Gartland
5,460,471 A	10/1995	Connor et al.	D438,104 S	2/2001	Hacker et al.
5,469,968 A	11/1995	Matthews et al.	D438,461 S	3/2001	Yamagishi
D366,829 S	2/1996	Chervenak et al.	D440,871 S	4/2001	Lo
5,489,025 A	2/1996	Romick	6,212,791 B1	4/2001	Thompson et al.
5,509,773 A	4/1996	Connor et al.	6,212,858 B1	4/2001	Breitler
5,522,506 A	6/1996	Roulin et al.	D441,284 S	5/2001	Saur et al.
5,529,188 A	6/1996	Coggswell	D444,056 S	6/2001	Lo
5,549,204 A	8/1996	Toren	6,244,442 B1	6/2001	Inoue et al.
D373,530 S	9/1996	Levy et al.	D444,379 S	7/2001	Assargren et al.
5,555,707 A	9/1996	Schwenger	6,269,671 B1	8/2001	Zeiter et al.
5,560,490 A	10/1996	Chawla	6,270,869 B1	8/2001	Zeiter et al.
D378,272 S	3/1997	Weatherford et al.	D449,779 S	10/2001	Otto
5,624,036 A	4/1997	Roulin et al.	D449,780 S	10/2001	Corella
5,630,347 A	5/1997	Elvio	D450,239 S	11/2001	Otto
D380,960 S *	7/1997	Blotsky D9/652	D451,014 S	11/2001	Otto
D382,474 S	8/1997	Malmborg	D451,015 S	11/2001	Otto
D384,283 S	9/1997	Davies et al.	D451,016 S	11/2001	Dittmar
D386,681 S	11/1997	Reil	6,311,743 B1	11/2001	Baroncini
D387,977 S	12/1997	Källgren	6,329,047 B1	12/2001	Beer et al.
5,695,063 A	12/1997	Roulin et al.	6,345,717 B1	2/2002	Flewitt
D391,156 S	2/1998	Stevens	6,349,831 B1	2/2002	Buss
D392,562 S	3/1998	Lo	D454,781 S	3/2002	Assargren et al.
D392,802 S	3/1998	Malmborg	6,357,495 B1	3/2002	Baroncini
D392,883 S	3/1998	Ferrin	D455,344 S	4/2002	Assargren et al.
5,722,563 A	3/1998	Hunts	D455,345 S	4/2002	Assargren et al.
			D455,953 S	4/2002	Assargren et al.

US D687,313 S

D455,954 S	4/2002	Dittmar	7,038,219 B2	5/2006	Clark et al.
6,401,926 B1	6/2002	Lo	7,055,296 B2	6/2006	Christ
6,409,020 B1	6/2002	Lo	7,063,211 B2	6/2006	Williams-Hartman
6,411,567 B1	6/2002	Niemiec et al.	7,067,084 B1	6/2006	Leroy et al.
6,430,984 B2	8/2002	Zeiter et al.	7,069,929 B2	7/2006	Young et al.
6,439,426 B1	8/2002	Baroncini	7,070,802 B1	7/2006	Bhalani et al.
6,497,083 B1	12/2002	Garwood et al.	7,080,644 B2	7/2006	Gumaste
D469,348 S	1/2003	Demus et al.	7,090,079 B2	8/2006	Ehrlund
6,502,374 B1	1/2003	Llorca Chulia	7,093,716 B2	8/2006	Intini
6,516,949 B2	2/2003	Fuller et al.	7,104,035 B2	9/2006	Hähnel
6,564,934 B1	5/2003	Dischler	7,121,065 B2	10/2006	Christ
D476,227 S	6/2003	Pratt	7,121,822 B2	10/2006	Heath
6,574,166 B2	6/2003	Niemiec	7,128,100 B2	10/2006	Monti
D477,158 S	7/2003	Calcerano et al.	D533,971 S	12/2006	Carter et al.
6,588,180 B2	7/2003	Heath et al.	D534,423 S	1/2007	Tanner
6,589,616 B2	7/2003	Muggli et al.	7,188,728 B2	3/2007	Williams-Hartman
6,589,642 B1	7/2003	Miller et al.	7,192,640 B2	3/2007	Holbert et al.
6,592,978 B1	7/2003	Miller et al.	7,207,440 B2	4/2007	Briscoe
6,598,370 B2	7/2003	Baroncini	D543,103 S	5/2007	Roche et al.
D478,810 S	8/2003	Wilson	D544,794 S	6/2007	White
6,601,876 B1	8/2003	Instance	D545,690 S *	7/2007	Tsutsumi et al. D9/732
D480,635 S	10/2003	Caroen	D546,182 S	7/2007	Hanji
6,648,575 B2	11/2003	Baroncini	D546,198 S	7/2007	Currie et al.
6,669,236 B1	12/2003	Höllwarth-Oberholz	7,243,798 B2	7/2007	Buss
6,673,406 B2	1/2004	Bekele	D548,110 S	8/2007	Pugh
6,675,972 B2	1/2004	Patterson	D548,615 S	8/2007	Ristic et al.
6,679,382 B1	1/2004	Kancsar et al.	D554,530 S *	11/2007	Tsutsumi et al. D9/732
6,699,566 B2	3/2004	Zeiter et al.	D556,602 S	12/2007	Clements et al.
6,705,467 B1	3/2004	Kancsar et al.	D556,603 S	12/2007	Barnes et al.
6,706,345 B1	3/2004	Yoon	D558,336 S	12/2007	Walters et al.
6,708,825 B2	3/2004	Filion et al.	D559,706 S	1/2008	Clements et al.
D489,002 S	4/2004	Meyer et al.	7,318,304 B2	1/2008	Hiddink et al.
6,757,637 B2	6/2004	Mertens et al.	D562,153 S	2/2008	Ruble et al.
6,758,367 B2	7/2004	Hunts	7,325,689 B2	2/2008	Buss
D495,134 S	8/2004	Geert-Jensen et al.	7,325,703 B2	2/2008	Gherdan et al.
6,793,077 B1	9/2004	Kancsar et al.	7,331,460 B2	2/2008	Barndt et al.
6,802,422 B2	10/2004	Kalvelage et al.	7,337,593 B2	3/2008	Blum et al.
6,805,259 B2	10/2004	Stevens et al.	7,337,906 B2	3/2008	Chang
6,805,528 B2	10/2004	Monti	7,377,394 B2	5/2008	Buss
6,827,808 B2	12/2004	Fenn	D570,171 S	6/2008	Benktzon et al.
6,839,304 B2	1/2005	Niemiec et al.	7,383,674 B2	6/2008	Van Eenoo
D501,790 S	2/2005	Feibelman	7,387,206 B2	6/2008	Grosskopf
6,848,580 B2	2/2005	Paliotta et al.	7,401,702 B2	7/2008	Hession
6,851,874 B2	2/2005	Gonzalez et al.	D574,704 S	8/2008	Senter
D504,811 S	5/2005	Haingaertuer	7,416,631 B2	8/2008	Pasternicki
D505,320 S	5/2005	Gattefosse et al.	7,419,056 B2	9/2008	Gattefosse et al.
D505,322 S	5/2005	Guthrie et al.	7,429,127 B2	9/2008	Walker et al.
6,889,690 B2	5/2005	Crowder et al.	D578,386 S	10/2008	Silvenis et al.
6,890,472 B2	5/2005	Heath	7,448,182 B2	11/2008	Pearson
6,896,139 B2	5/2005	Kancsar et al.	7,448,184 B2	11/2008	Clark et al.
D506,680 S	6/2005	Saelzer	7,451,761 B2	11/2008	Hicket et al.
6,902,645 B2	6/2005	Miller	D581,780 S	12/2008	Senter
D507,453 S	7/2005	Mills	D582,240 S	12/2008	Benktzon et al.
6,925,783 B1	8/2005	Pearson	7,464,818 B2	12/2008	Gherdan et al.
6,941,947 B2	9/2005	Young et al.	D585,545 S	1/2009	Carrio et al.
6,951,353 B2	10/2005	Kozlowski et al.	7,472,526 B2	1/2009	Pearson
D511,452 S	11/2005	Dibnah et al.	D585,638 S	2/2009	Skedelius
D511,977 S	11/2005	Saelzer	D585,735 S	2/2009	Vovan et al.
6,959,841 B2	11/2005	Vlodek	D588,471 S	3/2009	Flugel et al.
6,964,338 B2	11/2005	Kancsar et al.	D588,908 S	3/2009	Silvenis et al.
6,974,031 B2	12/2005	Kancsar et al.	D590,245 S	4/2009	Nanda
6,974,032 B2	12/2005	Intini	7,516,836 B2	4/2009	Trygar et al.
6,978,894 B2	12/2005	Mundt	7,523,594 B2	4/2009	Greenwald et al.
D513,589 S	1/2006	Grant	D592,947 S	5/2009	Neves et al.
D513,863 S	1/2006	Wahl et al.	D594,753 S	6/2009	Eadicicco et al.
D513,976 S	1/2006	Milan	7,540,383 B2	6/2009	Huffer et al.
6,988,618 B2	1/2006	DeJonge	7,552,824 B2	6/2009	Le et al.
D514,308 S	2/2006	Wahl et al.	D597,418 S	8/2009	Stojek
D514,309 S	2/2006	Wahl et al.	D597,830 S	8/2009	Andersen et al.
D514,436 S	2/2006	McGuinness	D598,737 S	8/2009	Neves et al.
D515,924 S	2/2006	Grant	D598,785 S	8/2009	Stojek
D515,925 S	2/2006	Wahl et al.	D601,012 S	9/2009	Ginsberg et al.
D515,926 S	2/2006	Wahl et al.	7,591,372 B2	9/2009	Gelardi et al.
6,997,320 B1	2/2006	Kancsar et al.	D601,884 S	10/2009	Andre et al.
7,000,768 B2	2/2006	Morita et al.	7,607,539 B2	10/2009	Freeze
D517,410 S	3/2006	Grant	7,617,935 B2	11/2009	Reilley et al.
D518,721 S	4/2006	Wahl et al.	7,623,040 B1	11/2009	Cote
7,025,207 B2	4/2006	Breu et al.	D606,856 S	12/2009	Ginsberg et al.
D520,357 S	5/2006	Terrasi	7,637,079 B2	12/2009	Klingel et al.

US D687,313 S

Page 4

7,637,375 B2	12/2009	Sattel et al.	7,828,149 B2	11/2010	Kalvelage et al.
7,661,531 B2	2/2010	Intini	7,828,150 B2	11/2010	Taylor et al.
7,665,610 B2	2/2010	Williams-Hartman	7,854,325 B2	12/2010	Bentele
7,674,532 B2	3/2010	Einhorn et al.	7,866,475 B2	1/2011	Doskoczynski et al.
7,685,798 B2	3/2010	Marzocchi	D632,955 S	2/2011	Smith et al.
D614,045 S	4/2010	Gaudenzi et al.	7,891,492 B2	2/2011	Wenninger et al.
7,690,511 B2	4/2010	Arnold et al.	D634,616 S	3/2011	Hansen et al.
7,699,173 B2	4/2010	Hession	D635,468 S	4/2011	Buitrago
7,704,583 B2	4/2010	Heath	D635,469 S	4/2011	Buitrago
7,721,880 B2	5/2010	Pearce et al.	7,919,171 B2	4/2011	Young
7,726,485 B2	6/2010	Brollier	7,926,660 B2	4/2011	Jones et al.
7,726,486 B2	6/2010	Jones	D637,391 S	5/2011	Stevens et al.
7,735,650 B2	6/2010	Zumbiel	7,934,355 B2	5/2011	Strub et al.
D620,359 S	7/2010	Ginsberg et al.	7,937,829 B2	5/2011	Petersen et al.
D620,375 S	7/2010	Sadler et al.	7,939,150 B2	5/2011	Altman et al.
7,748,535 B2	7/2010	Grosskopf	7,950,390 B2	5/2011	Gumaste
7,756,248 B2	7/2010	Beckers et al.	7,959,004 B2	6/2011	Tsao
7,758,936 B2	7/2010	Spallek et al.	7,959,005 B2	6/2011	Berg et al.
D620,812 S	8/2010	Gaudenzi et al.	7,963,089 B2	6/2011	Nelson et al.
7,784,250 B2	8/2010	Grosskopf	D641,616 S	7/2011	Prevost
D624,399 S	9/2010	Hansen et al.	7,977,378 B1	7/2011	Villalobos
D624,402 S	9/2010	Hansen et al.	7,988,995 B1	8/2011	Bhalani et al.
D624,403 S	9/2010	Hansen et al.			
7,793,784 B2	9/2010	Nivala			
7,798,328 B2	9/2010	Hession			
7,798,329 B2	9/2010	Gelardi			
7,799,340 B2	9/2010	Bhalani et al.			
D624,815 S	10/2010	Hansen et al.			
7,810,495 B2	10/2010	Gumaste			
D627,220 S	11/2010	LeMaster et al.			
D627,239 S	11/2010	Bontorno et al.			
7,828,147 B2	11/2010	Caracciolo et al.			

OTHER PUBLICATIONS

U.S. Office Action dated Mar. 25, 2013 issued in U.S. Appl. No. 29/416,882.

U.S. Office Action dated Apr. 1, 2013 issued in U.S. Appl. No. 29/429,017.

* cited by examiner

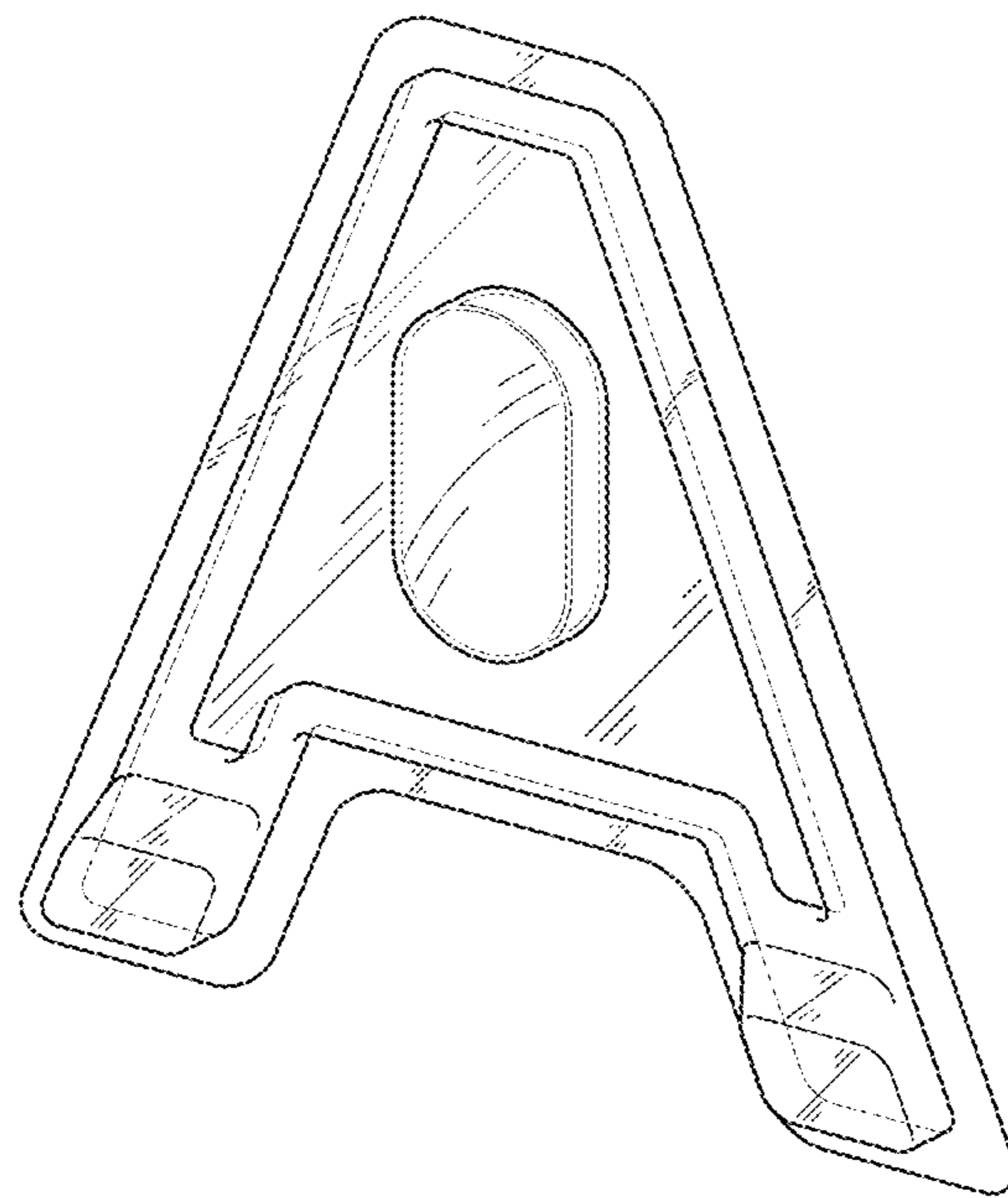


FIG. 1

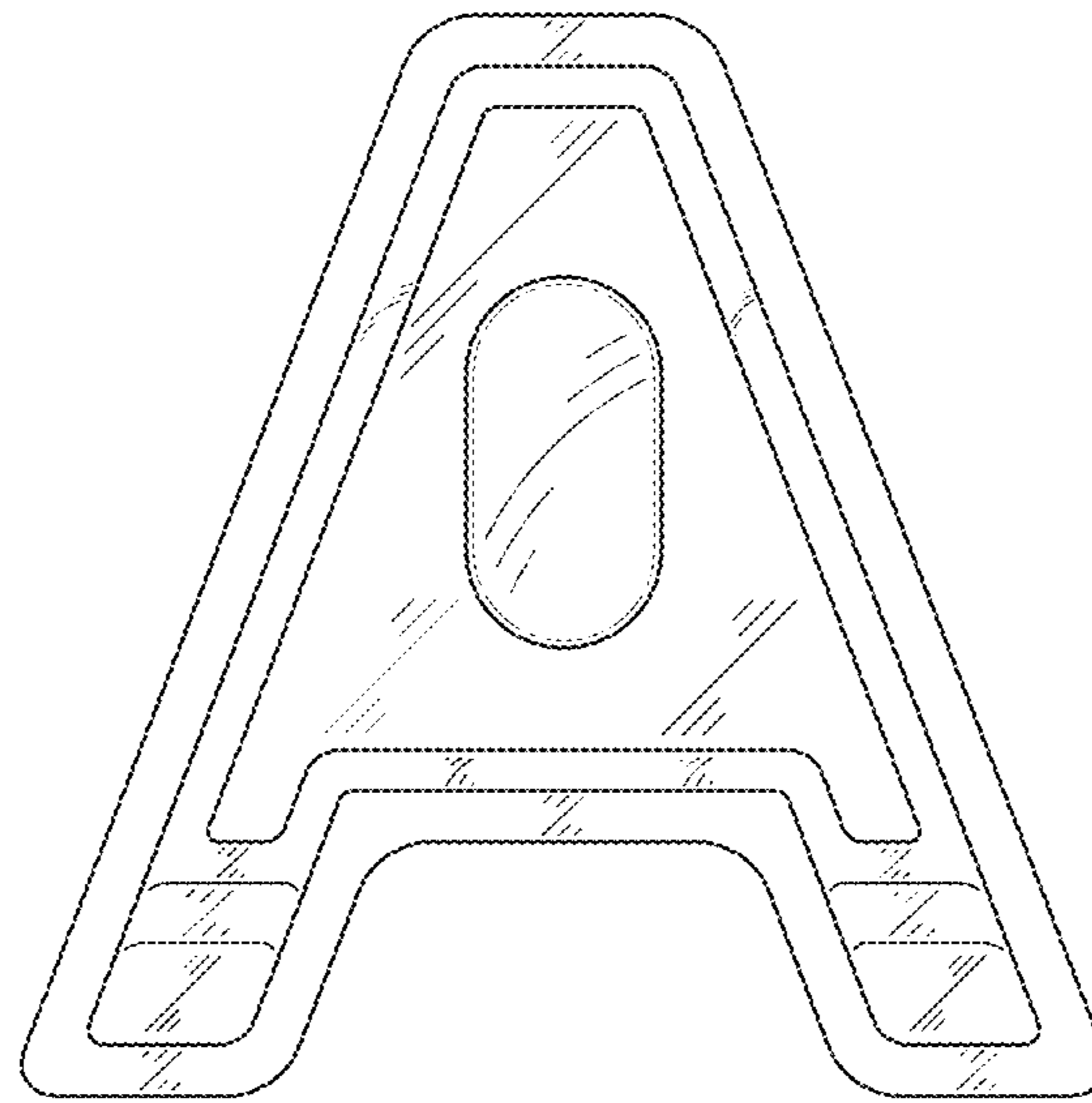


FIG. 2

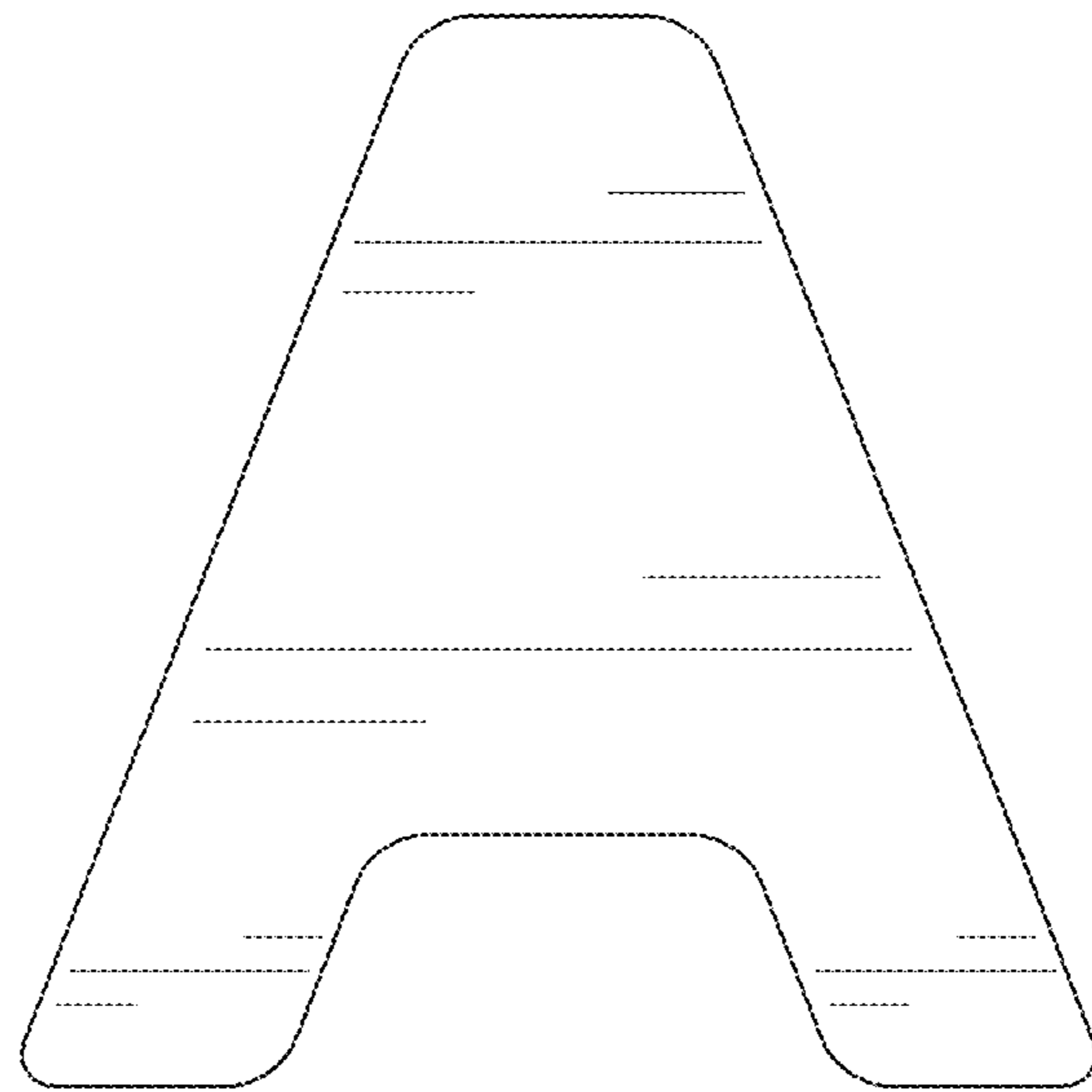


FIG. 3

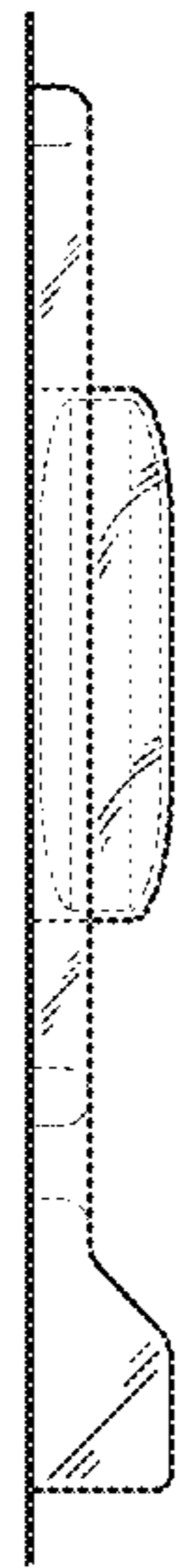


FIG. 4



FIG. 5

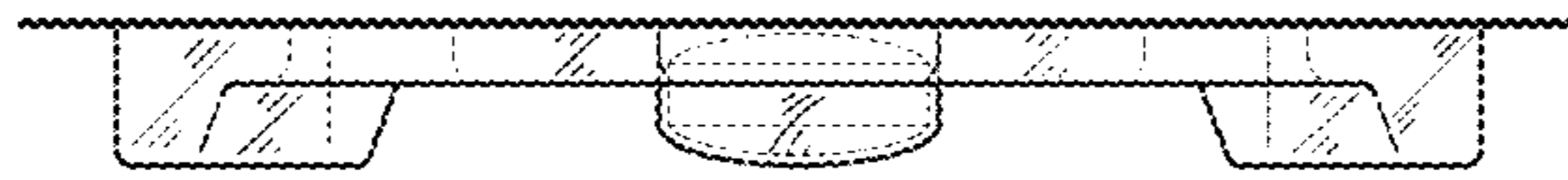


FIG. 6

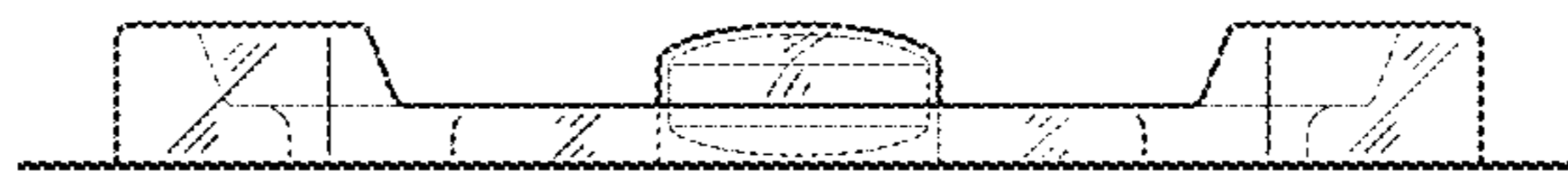


FIG. 7