



US00D687306S

(12) **United States Design Patent**  
**Fleischhacker et al.**

(10) **Patent No.:** **US D687,306 S**  
(45) **Date of Patent:** **\*\* Aug. 6, 2013**

(54) **PLASTIC CONTAINER**  
(75) Inventors: **Kyle Fleischhacker**, Brownstown, MI (US); **James J. Miller**, Barberton, OH (US); **Marc A. Pedmo**, Litchfield, OH (US)

(73) Assignee: **Plastipak Packaging, Inc.**, Plymouth, MI (US)

(\*\*) Term: **14 Years**

(21) Appl. No.: **29/427,782**

(22) Filed: **Jul. 23, 2012**

(51) **LOC (9) Cl.** ..... **09-01**

(52) **U.S. Cl.**  
USPC ..... **D9/531**

(58) **Field of Classification Search**  
USPC ..... D9/500, 502, 503, 516, 517, 519, D9/523, 528, 530, 531, 532, 549, 550, 558, D9/569, 719; 215/40, 43-49, 381-385, 398, 215/396; 222/488, 489, 544, 566-568, 570; 220/592.16, 592.17, 592.18, 752, 760, 769, 220/767, 768; D7/312, 313, 300, 319, 321  
See application file for complete search history.

(56) **References Cited**

**U.S. PATENT DOCUMENTS**

1,791,787 A \* 2/1931 Barroll ..... 215/43  
D99,492 S \* 4/1936 Keightley ..... D9/531

2,307,390 A \* 1/1943 Chew ..... 215/398  
D162,147 S \* 2/1951 Fuerst ..... D9/536  
3,086,671 A \* 4/1963 Zaleski ..... 215/42  
3,397,724 A \* 8/1968 Bolen et al. .... 215/371  
D295,372 S \* 4/1988 Klette et al. .... D9/500  
D314,142 S \* 1/1991 Briggs ..... D9/550  
D626,851 S \* 11/2010 El Aquah ..... D9/553

\* cited by examiner

*Primary Examiner* — Derrick Holland

*Assistant Examiner* — Lauren Calve

(74) *Attorney, Agent, or Firm* — Mario A. Tabone

(57) **CLAIM**

The ornamental design for a plastic container, as shown and described.

**DESCRIPTION**

FIG. 1 is a top-front-right perspective view of a plastic container showing the claimed design.

FIG. 2 is a front elevational view thereof;

FIG. 3 is a rear elevational view thereof;

FIG. 4 is a left elevational view thereof;

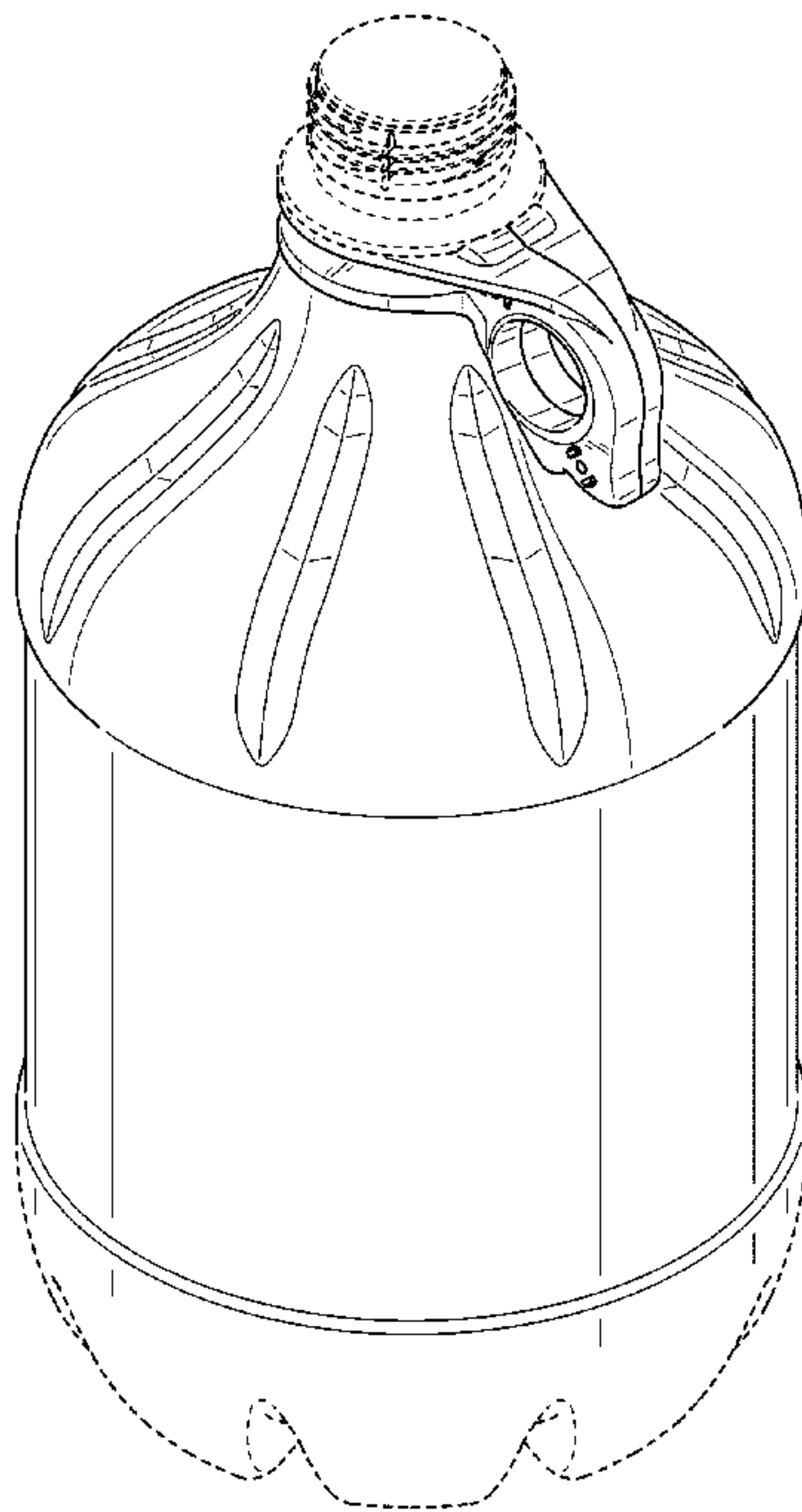
FIG. 5 is a right elevational view thereof;

FIG. 6 is a top plan view thereof; and,

FIG. 7 is a bottom plan view thereof.

The broken line showing of a plastic container represents unclaimed subject matter and forms no part of the claimed design.

**1 Claim, 7 Drawing Sheets**



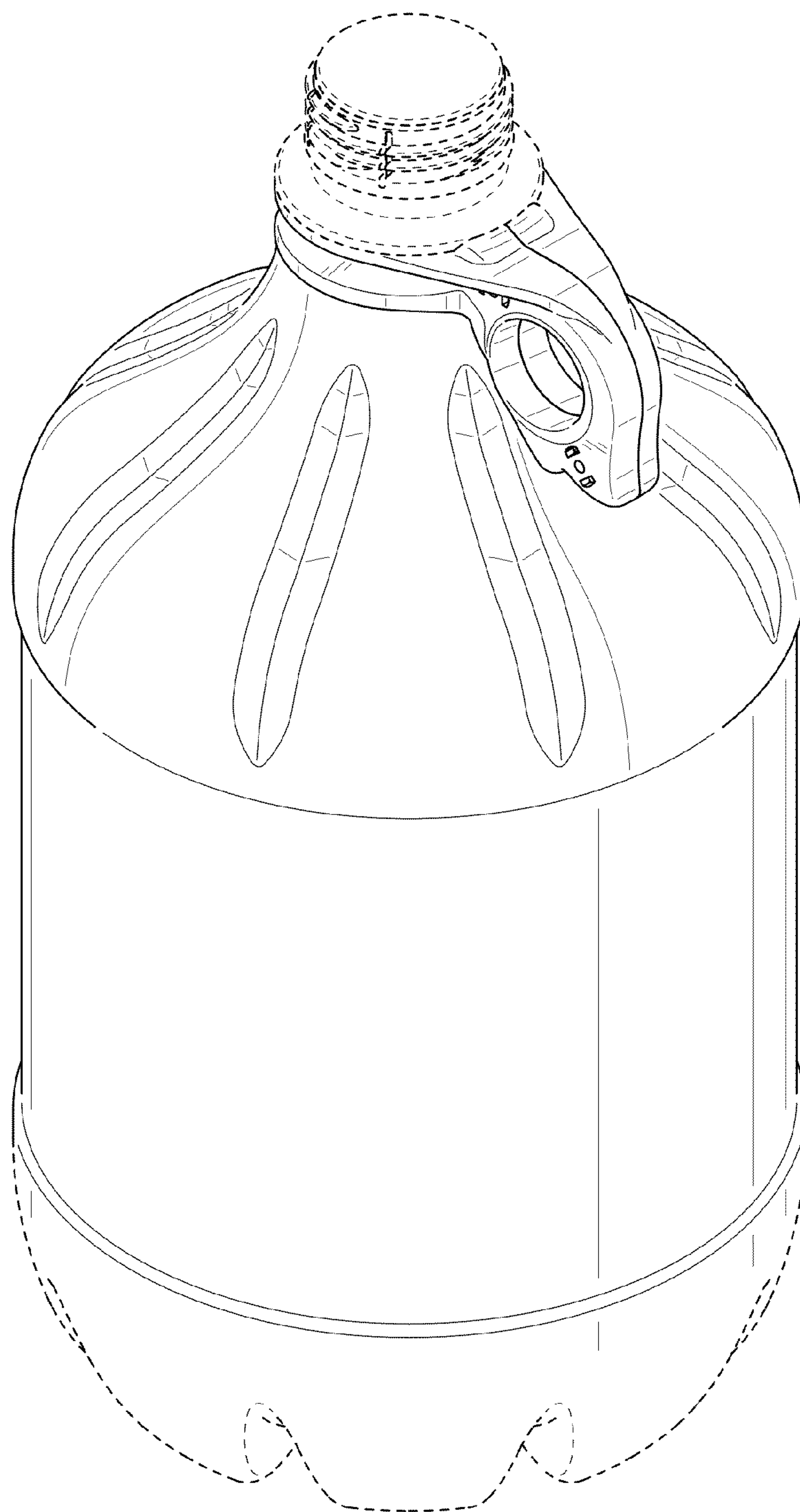


FIG. 1

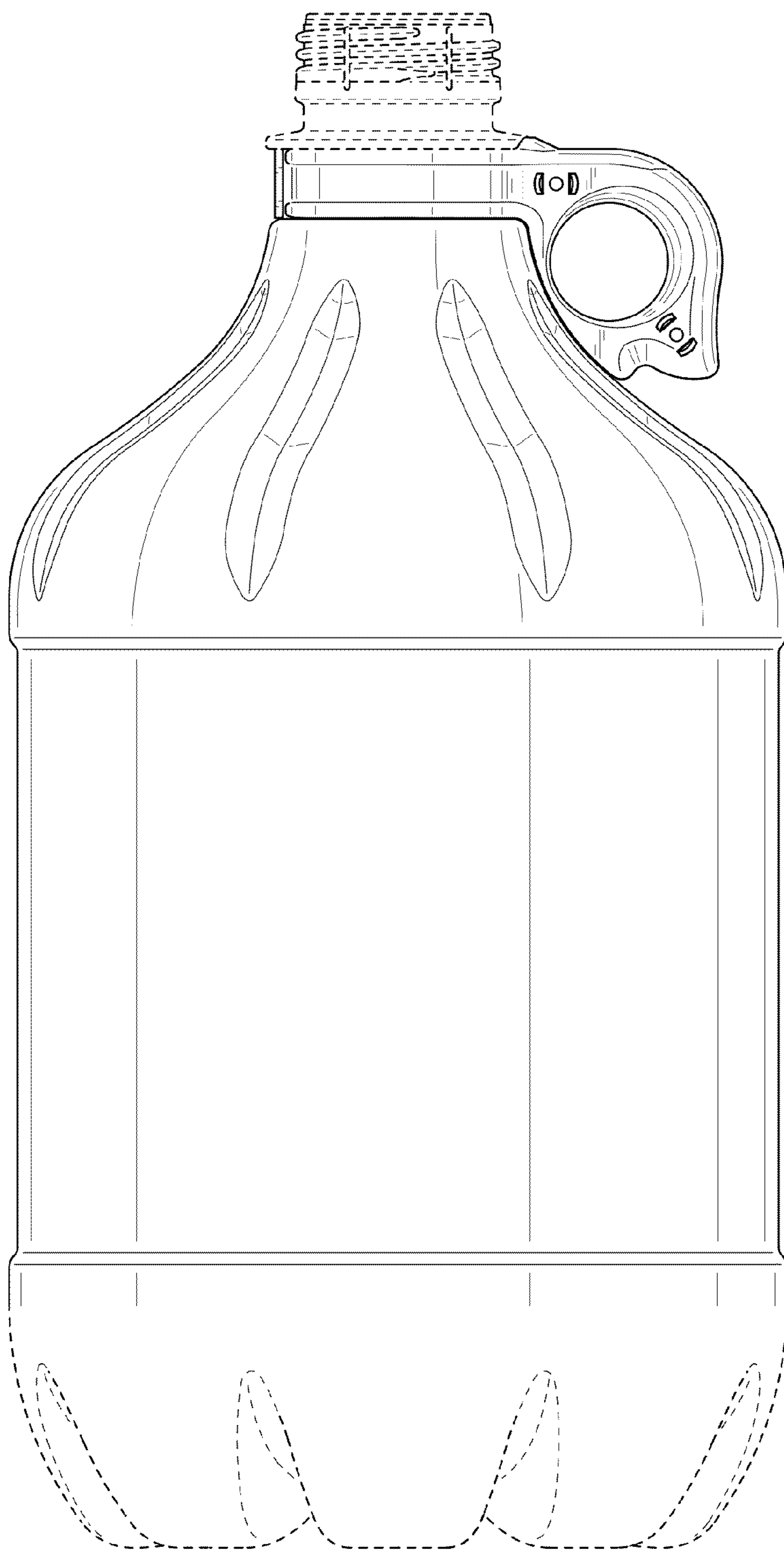


FIG. 2

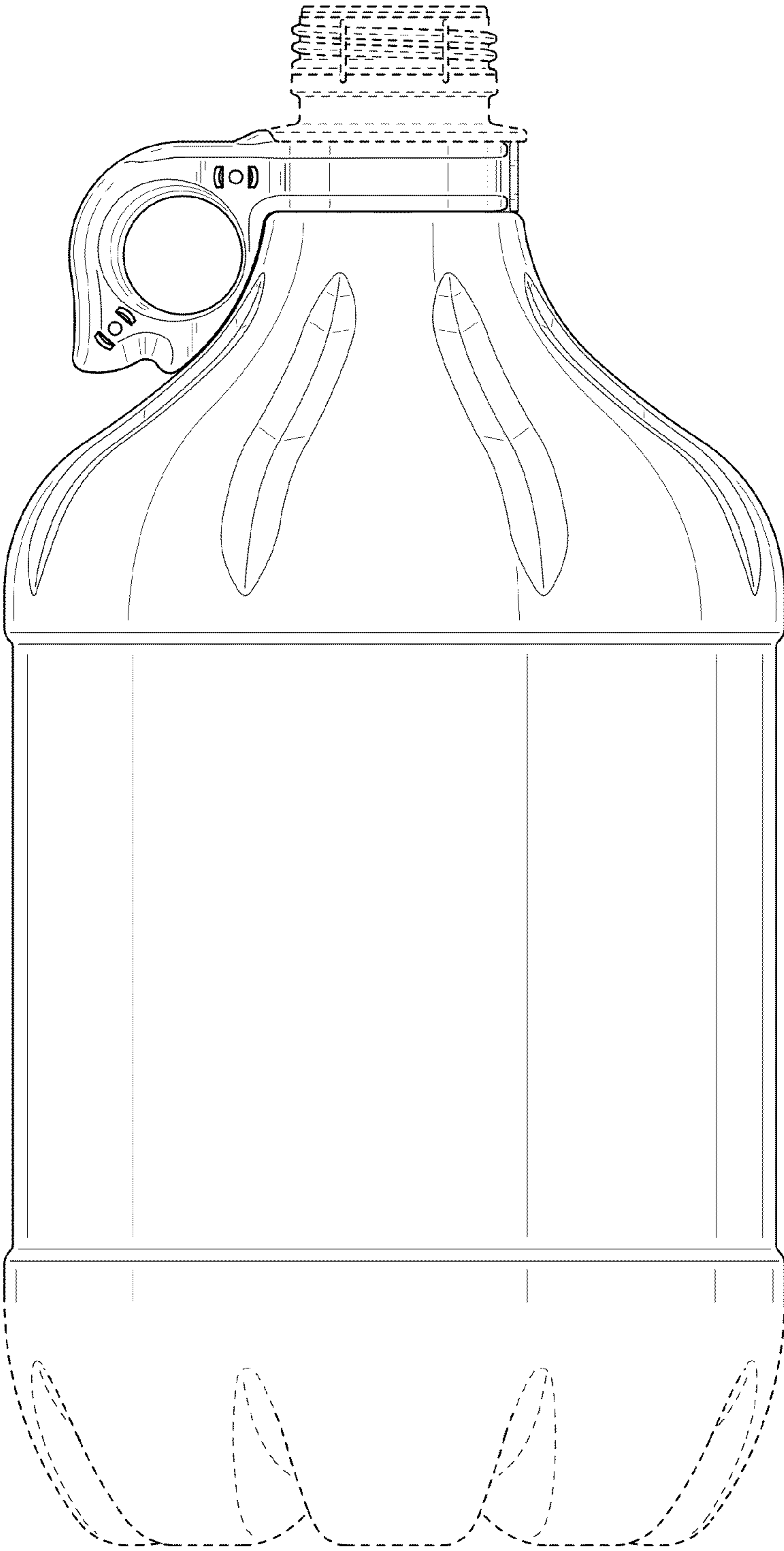


FIG. 3

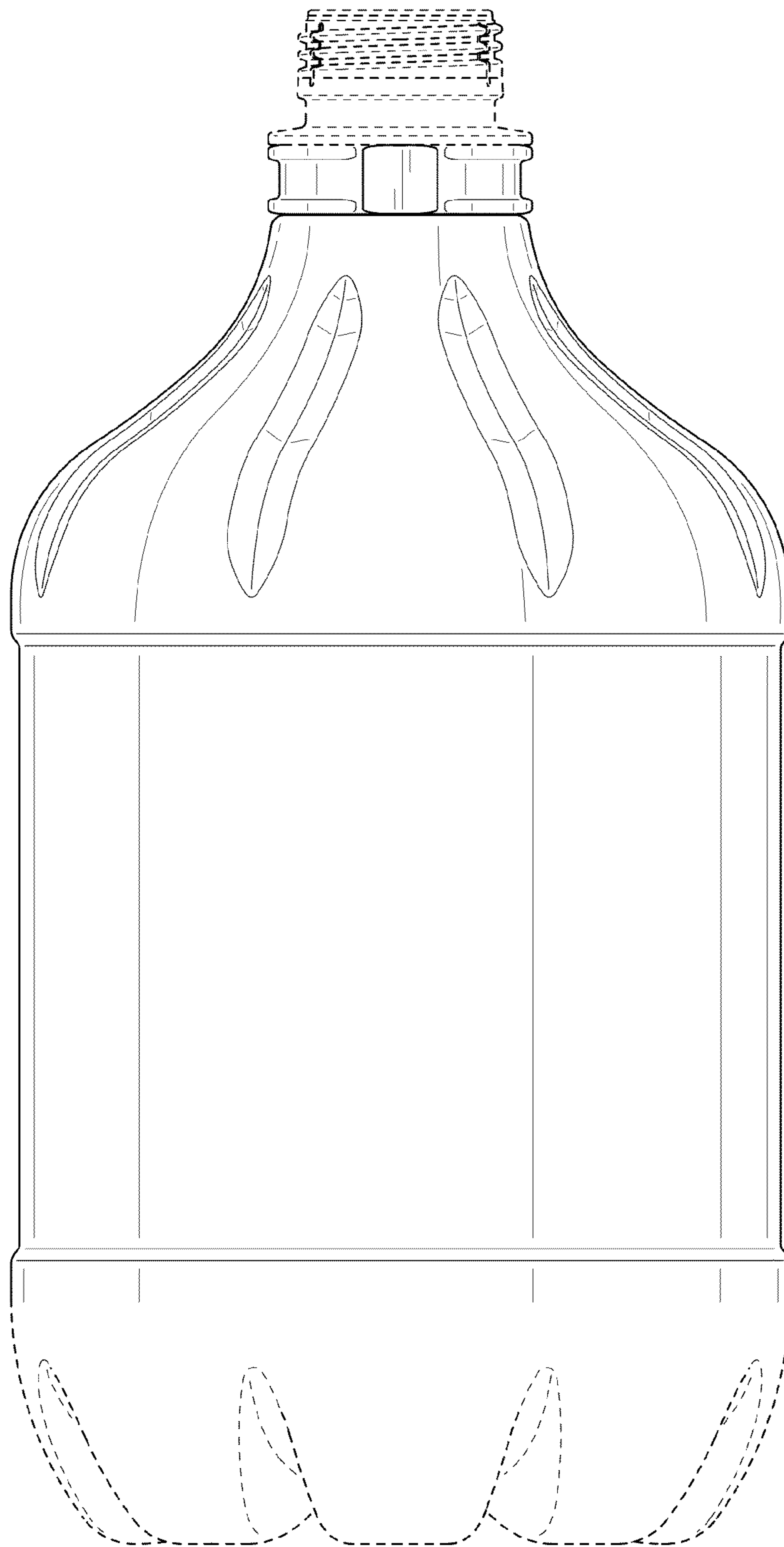


FIG. 4



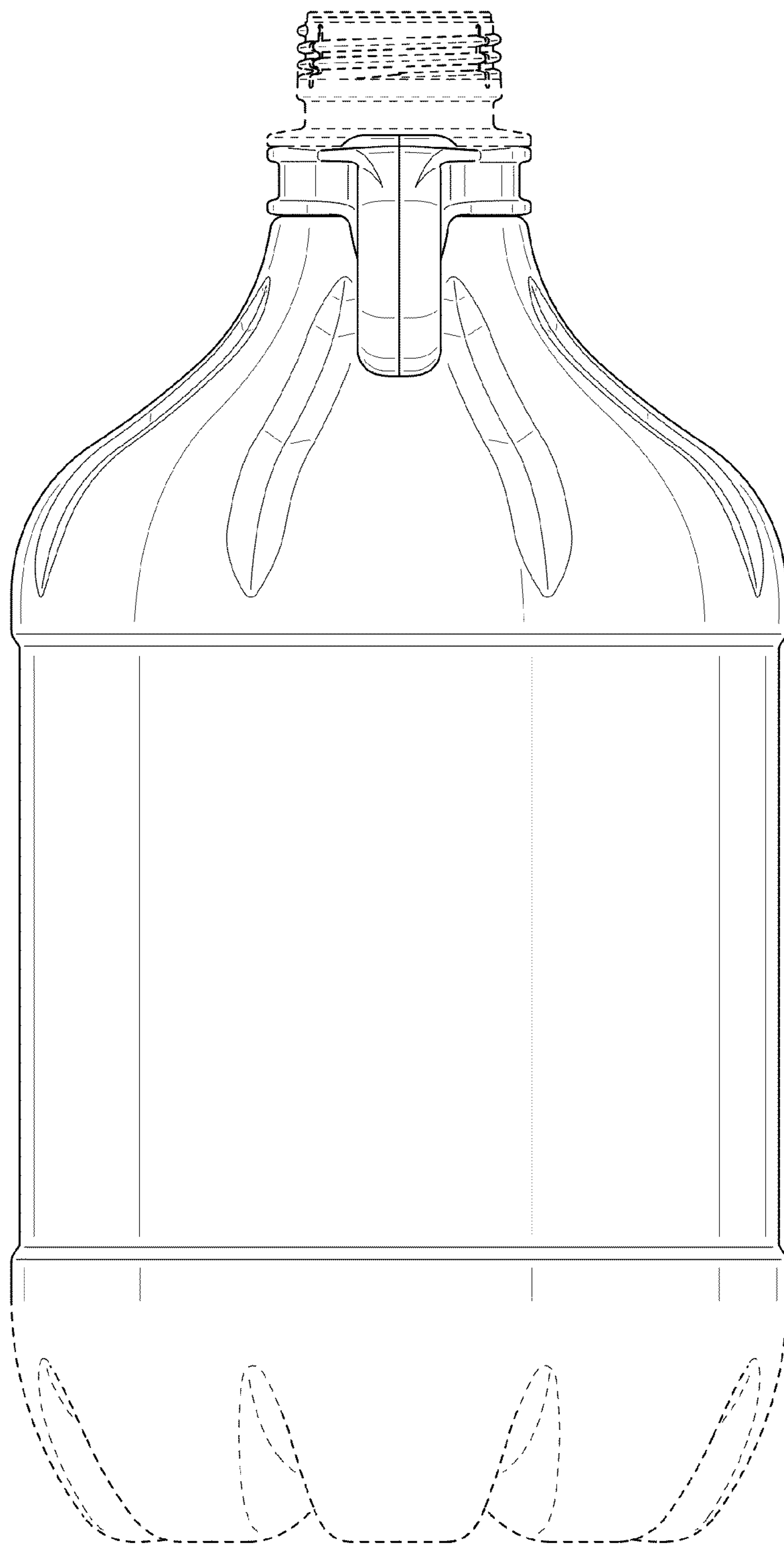


FIG. 5

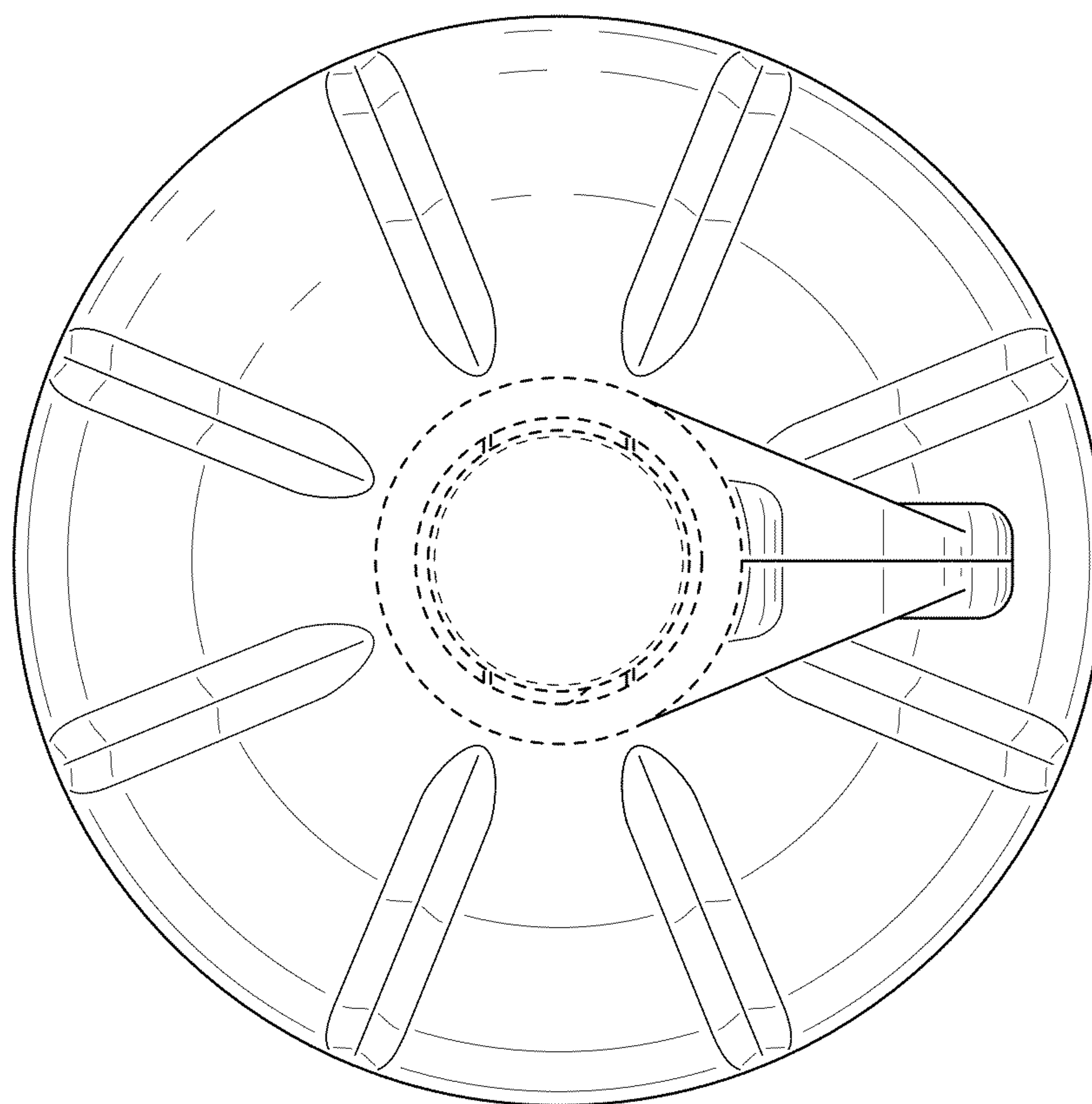


FIG. 6

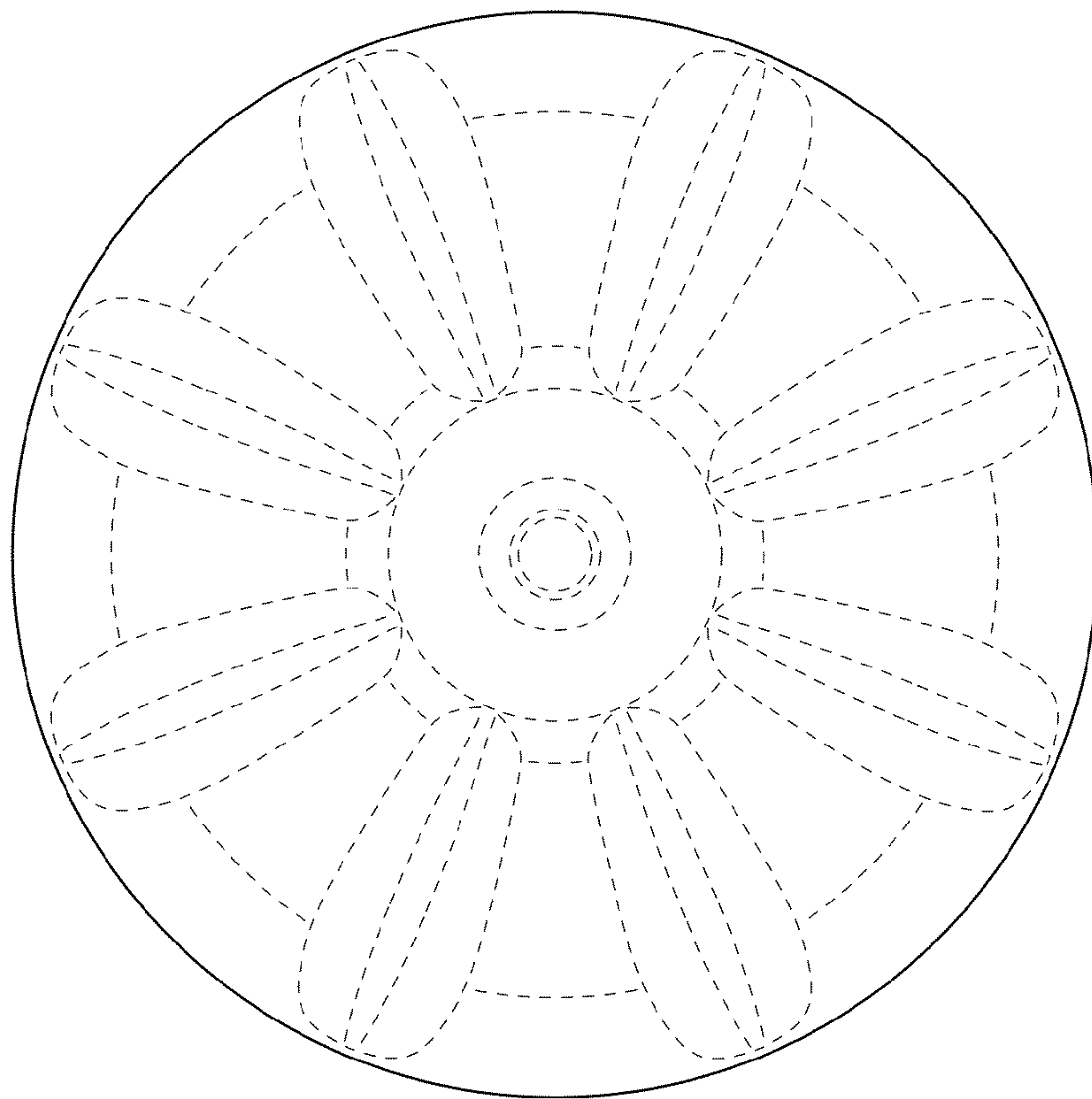


FIG. 7