



US00D687305S

(12) **United States Design Patent**
Juna

(10) **Patent No.:** **US D687,305 S**
(45) **Date of Patent:** **** Aug. 6, 2013**

(54) **BOTTLE**

(71) Applicant: **TricorBraun Inc.**, St. Louis, MO (US)

(72) Inventor: **Samantha Juna**, Carol Stream, IL (US)

(73) Assignee: **TricorBraun Inc.**, St. Louis, MO (US)

(**) Term: **14 Years**

(21) Appl. No.: **29/433,143**

(22) Filed: **Sep. 26, 2012**

(51) **LOC (9) Cl.** **09-01**

(52) **U.S. Cl.**
USPC **D9/528**

(58) **Field of Classification Search**
USPC D9/516, 523, 528, 531, 541, 543,
D9/559, 560, 563; 215/381-385; 220/660,
220/669, 675
See application file for complete search history.

(56) **References Cited**

U.S. PATENT DOCUMENTS

D305,730 S *	1/1990	Cramer	D9/528
D323,456 S *	1/1992	Gonda	D9/527
D358,098 S *	5/1995	Carre et al.	D9/529
D359,906 S *	7/1995	Carre et al.	D9/528
D531,908 S *	11/2006	Mayers	D9/531

D559,692 S *	1/2008	Floyd et al.	D9/531
D576,045 S *	9/2008	LeVasseur et al.	D9/531
D609,578 S *	2/2010	Mayers et al.	D9/629
D613,608 S *	4/2010	Floyd et al.	D9/528
D657,681 S *	4/2012	Manderfield et al.	D9/528
D666,499 S *	9/2012	Fuller et al.	D9/528

* cited by examiner

Primary Examiner — Keli L Hill

(74) *Attorney, Agent, or Firm* — Husch Blackwell LLP

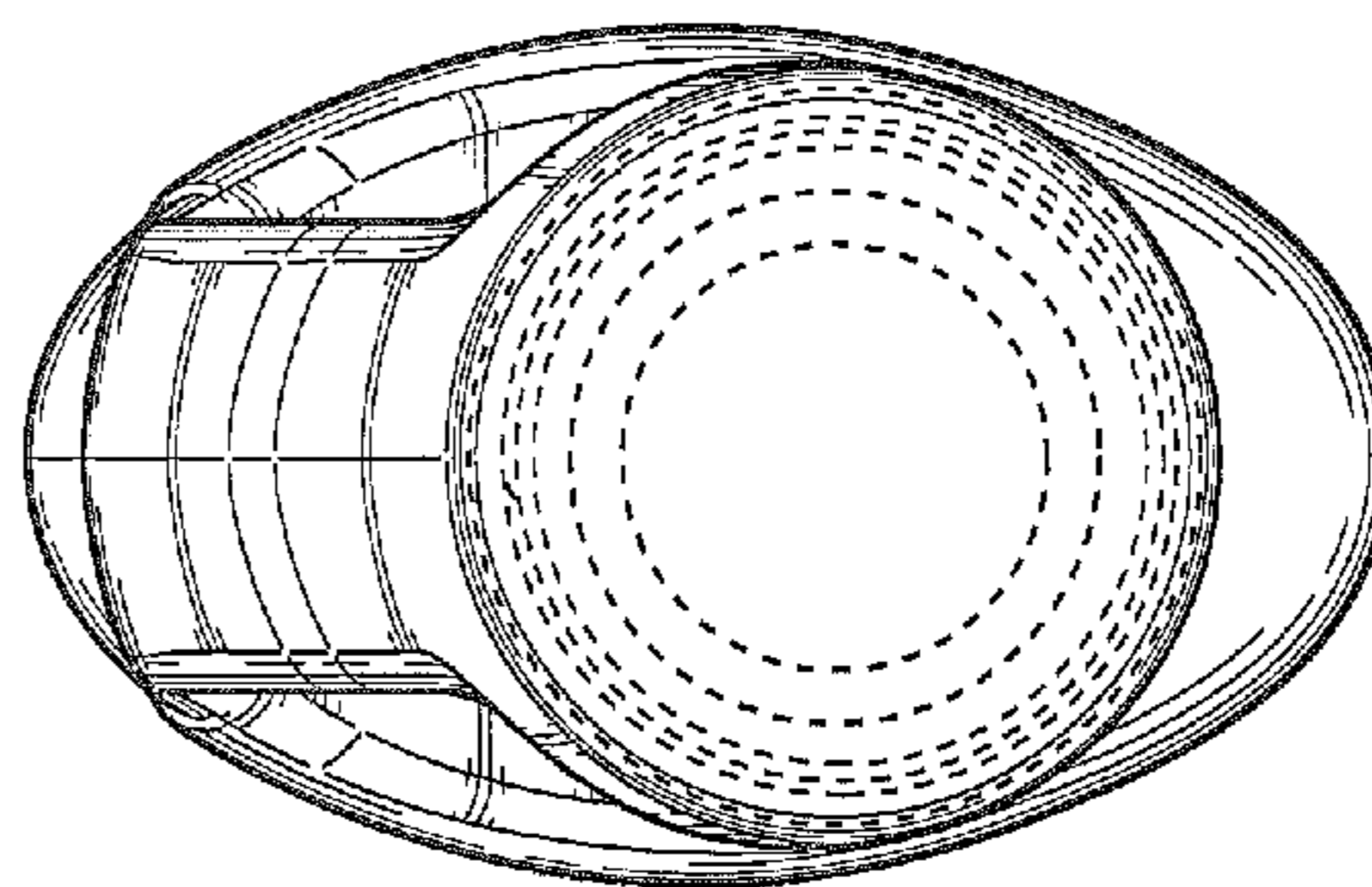
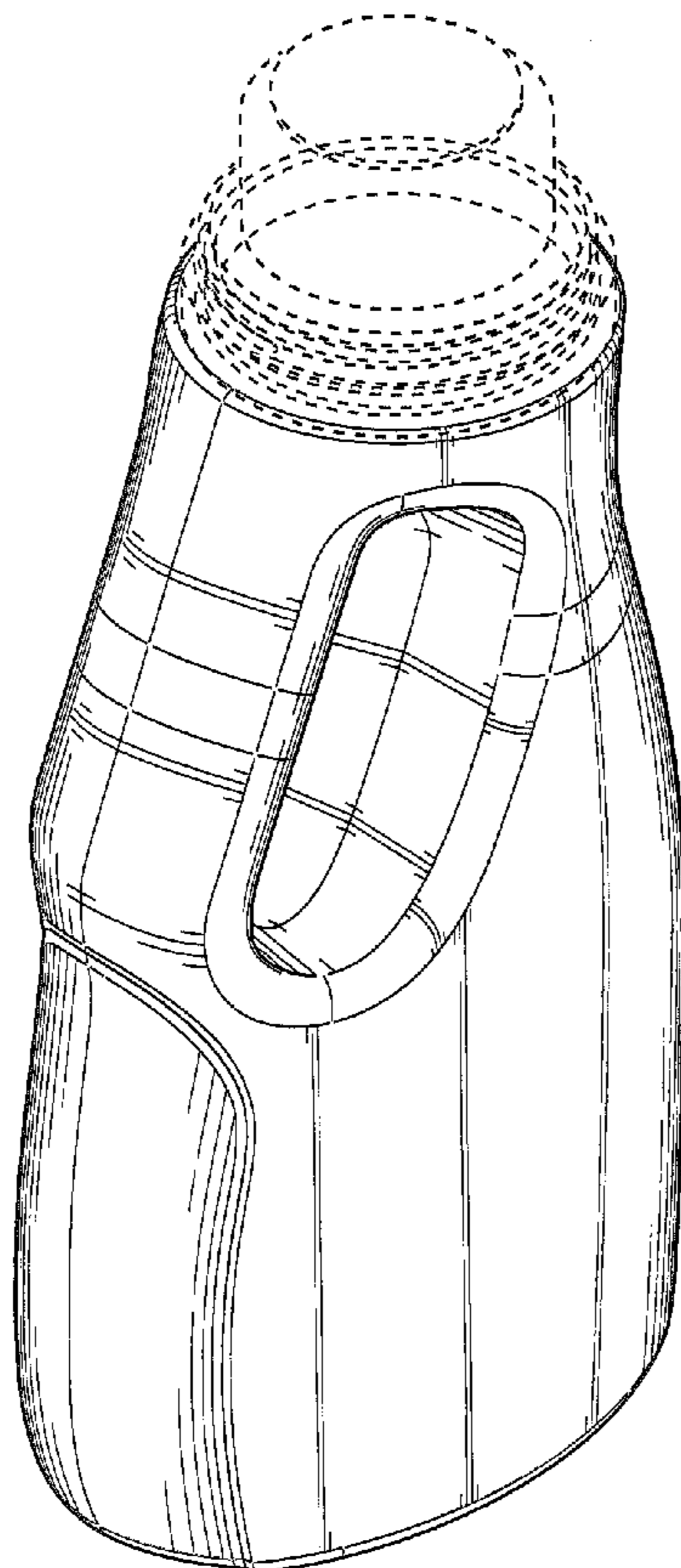
(57) **CLAIM**

I claim the ornamental design for a bottle, as shown and described.

DESCRIPTION

FIG. 1 is a perspective view of a bottle showing the new design;
FIG. 2 is a front view thereof, with the rear view of the design being a mirror image of the front;
FIG. 3 is a left side view thereof;
FIG. 4 is a right side view thereof;
FIG. 5 is a top view thereof; and,
FIG. 6 is a bottom view thereof.
The broken lines shown are included for the purpose of illustrating the unclaimed portions of the Container and form no part of the claim.

1 Claim, 5 Drawing Sheets



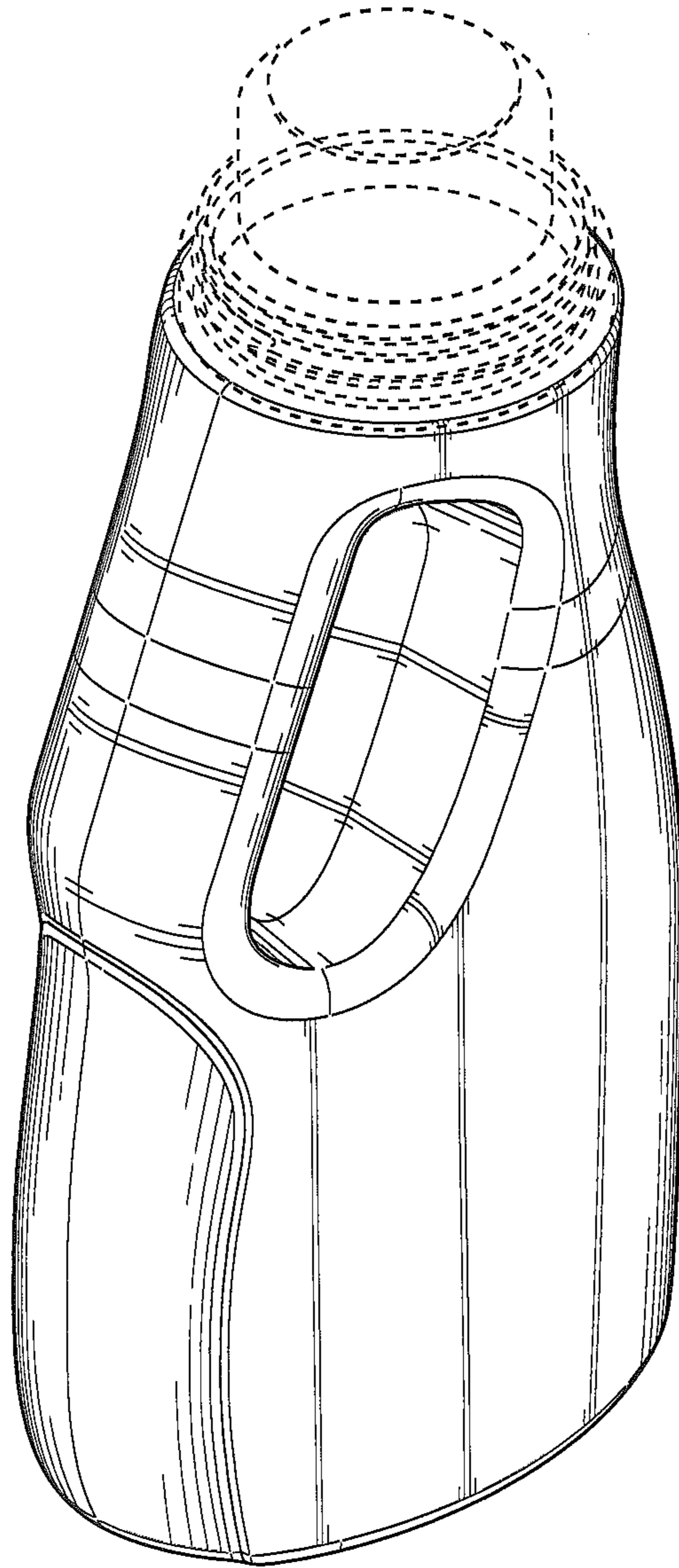


FIG. 1

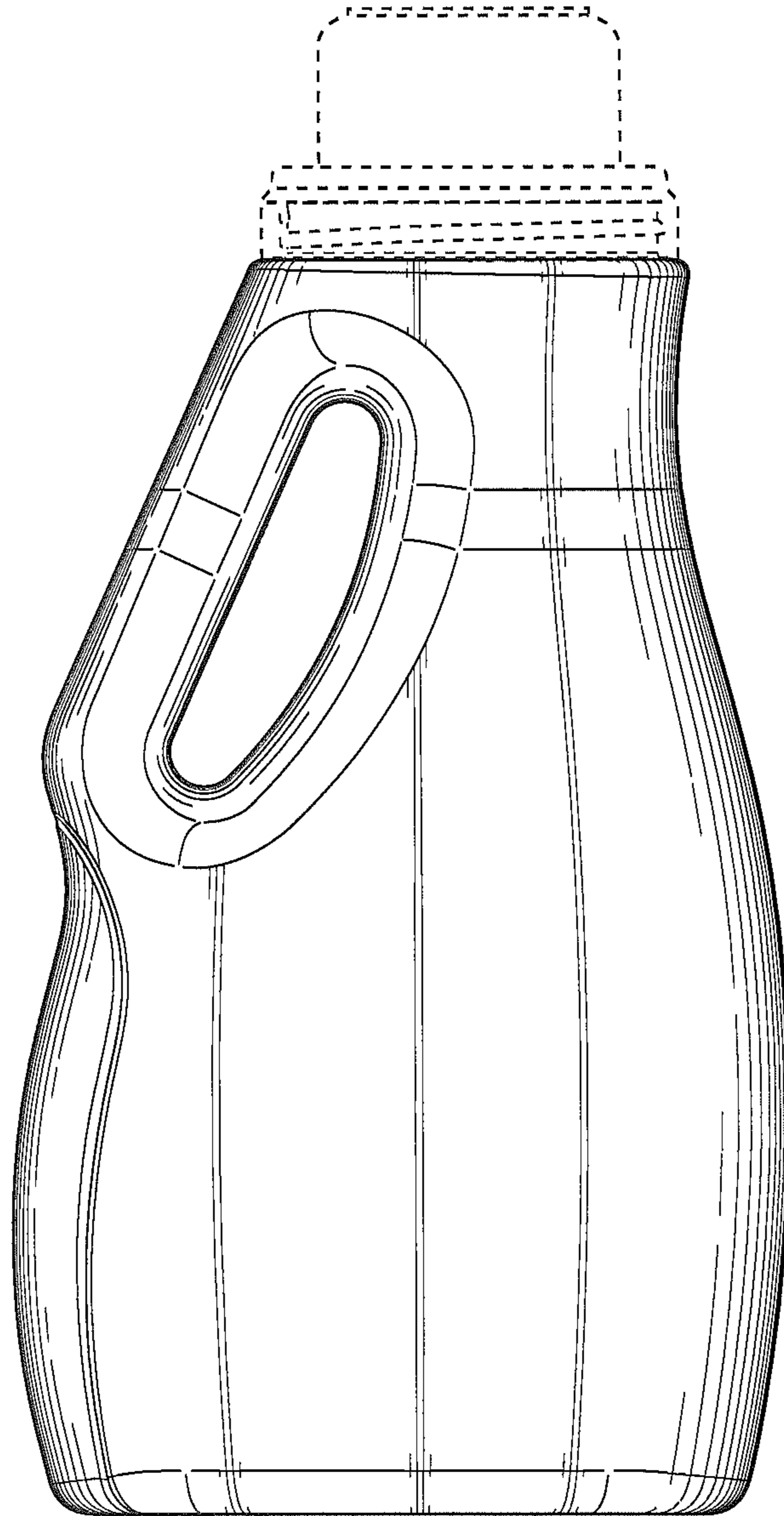


FIG. 2

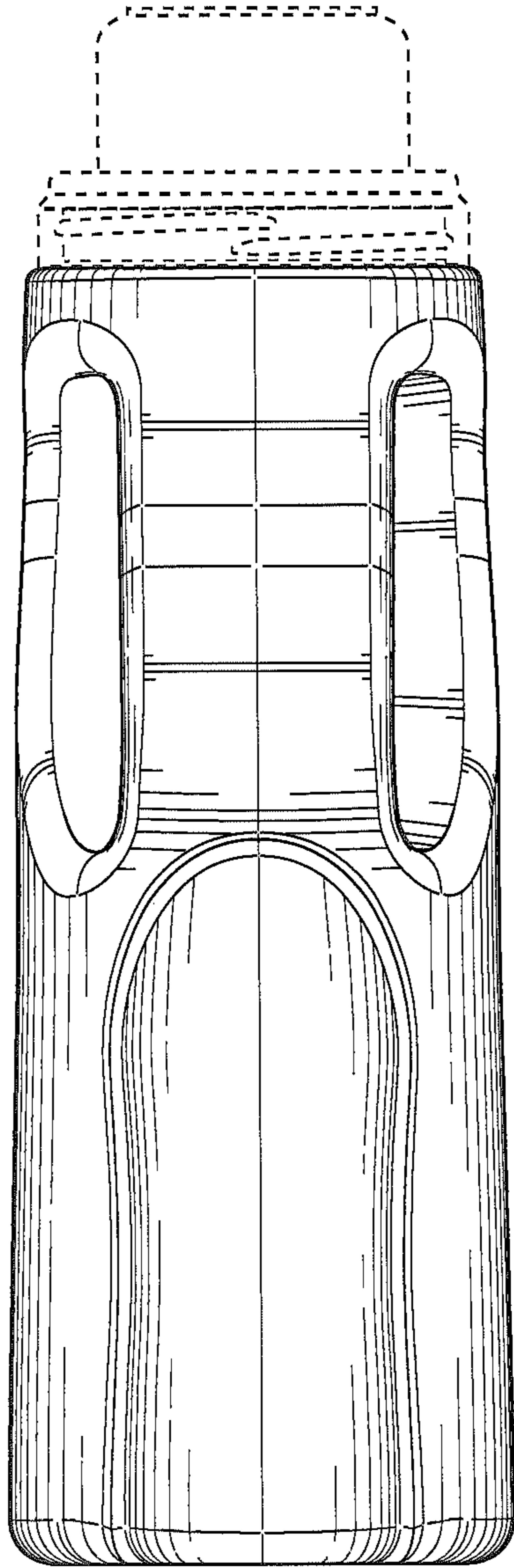


FIG. 3

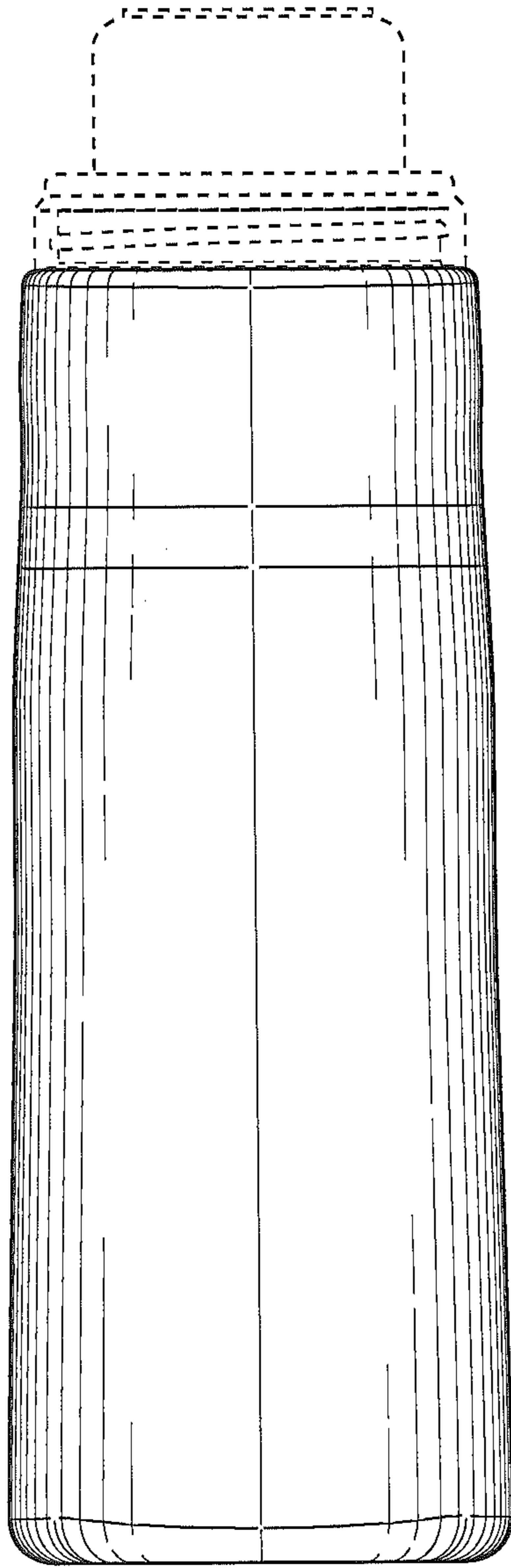


FIG. 4

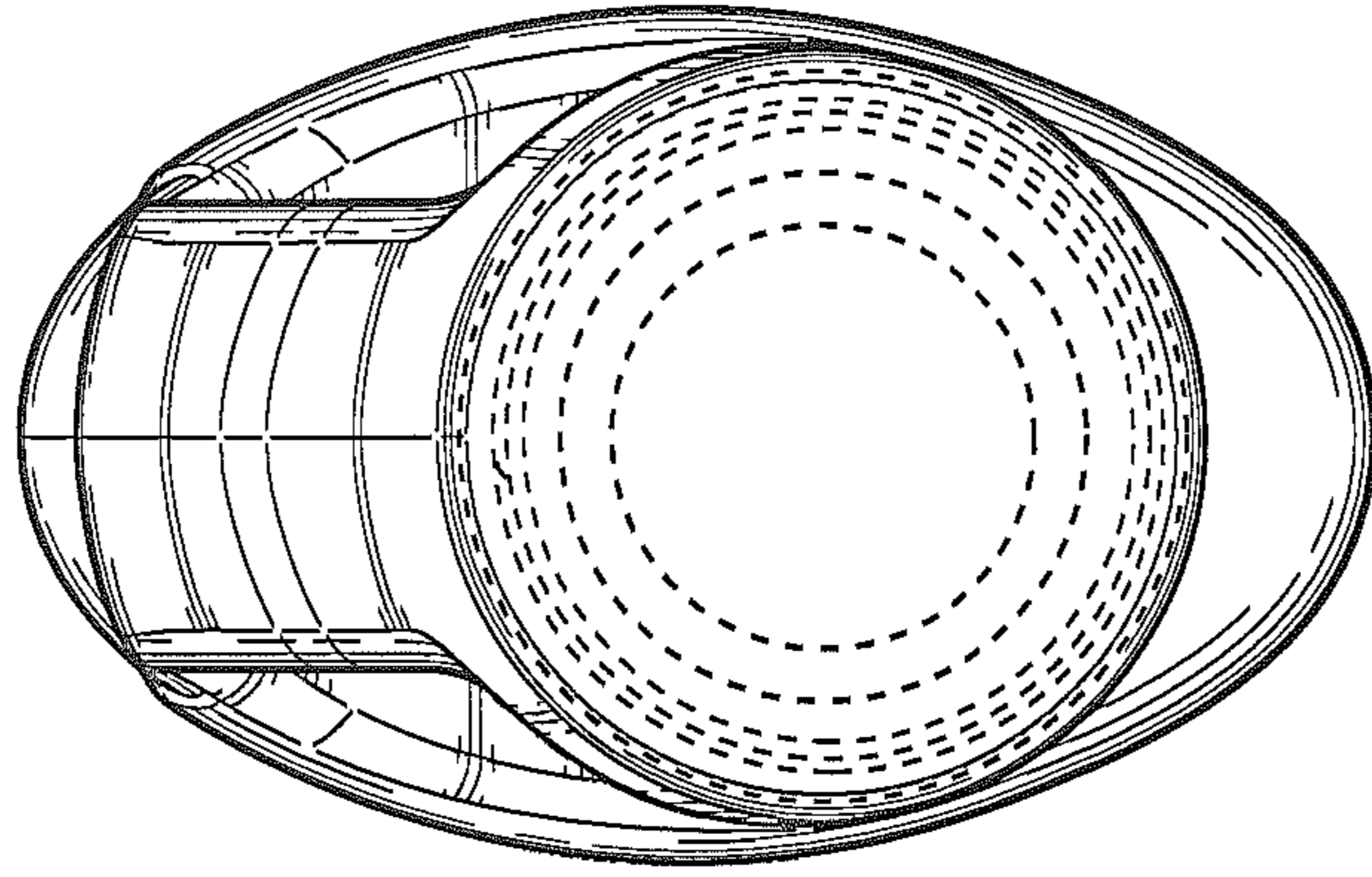


FIG. 5

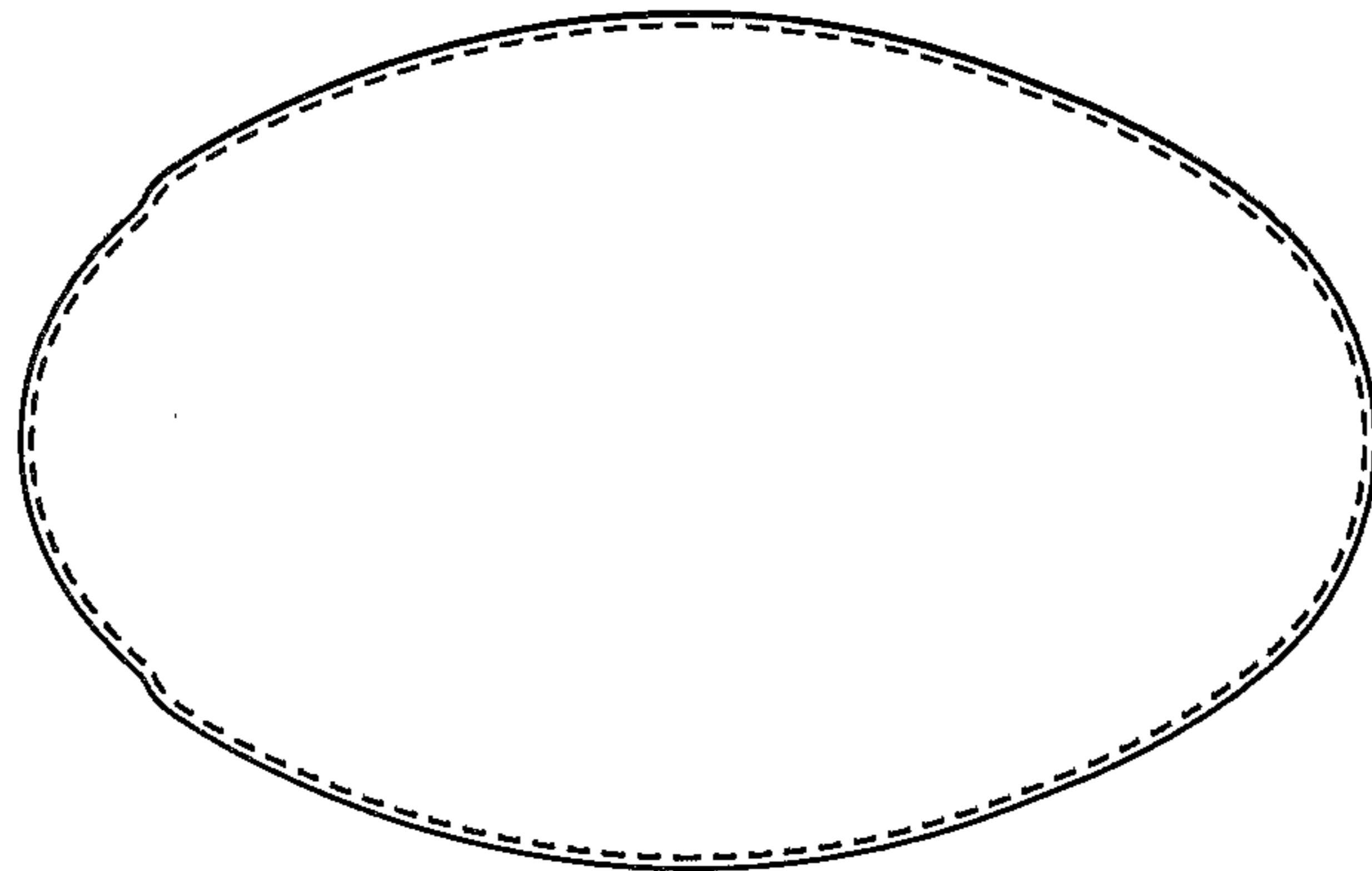


FIG. 6