



US00D687304S

(12) **United States Design Patent**
Tanner

(10) **Patent No.:** **US D687,304 S**
(45) **Date of Patent:** **** Aug. 6, 2013**

(54) **CANISTER**

(75) Inventor: **Rolf Tanner**, Löhningen (CH)

(73) Assignee: **TPP Techno Plastic Products AG** (CH)

(**) Term: **14 Years**

(21) Appl. No.: **29/427,992**

(22) Filed: **Jul. 24, 2012**

(51) **LOC (9) Cl.** **09-01**

(52) **U.S. Cl.**
USPC **D9/521**; D9/767; D24/121

(58) **Field of Classification Search**
USPC D9/434, 435, 452-454, 516, 521,
D9/529, 549, 551, 723-729, 733, 763-783;
215/381-385; 220/660, 669, 675; D7/591,
D7/601, 602; D24/121
See application file for complete search history.

(56) **References Cited**

U.S. PATENT DOCUMENTS

3,485,416 A * 12/1969 Fohrman 222/142.1
D286,505 S * 11/1986 Okada D3/20
D299,488 S * 1/1989 Okada D9/680

D317,722 S * 6/1991 Todd D9/447
D375,256 S * 11/1996 Chadfield D9/724
D395,239 S * 6/1998 Davis D9/778
D448,996 S * 10/2001 Nixon, III D9/503
D452,119 S * 12/2001 Zeller et al. D7/591
D455,962 S * 4/2002 Nixon, III D9/503
D539,417 S * 3/2007 Cimino D24/108
D607,731 S * 1/2010 Soliman D9/521
D636,678 S * 4/2011 Baird et al. D9/500
D637,492 S * 5/2011 Baird et al. D9/500
D674,291 S * 1/2013 Py et al. D9/738

* cited by examiner

Primary Examiner — Keli L Hill

(74) *Attorney, Agent, or Firm* — Banner & Witcoff, Ltd.

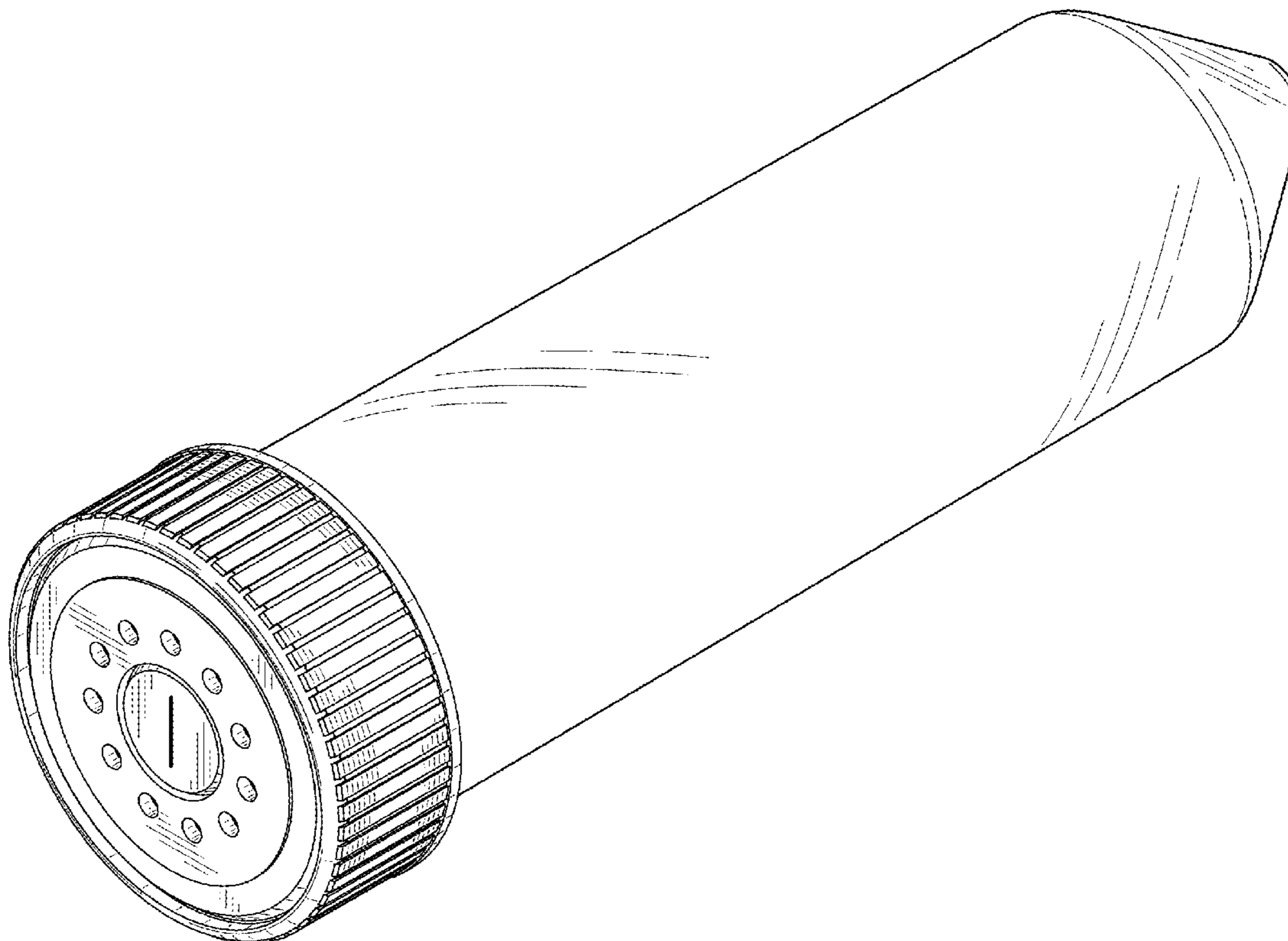
(57) **CLAIM**

The ornamental design for a canister, as shown and described.

DESCRIPTION

FIG. 1 is a front perspective view of a canister showing my new design;
FIG. 2 is a top view thereof, the bottom, left and right side views being identical thereto;
FIG. 3 is a front view thereof; and,
FIG. 4 is a rear view thereof.

1 Claim, 3 Drawing Sheets



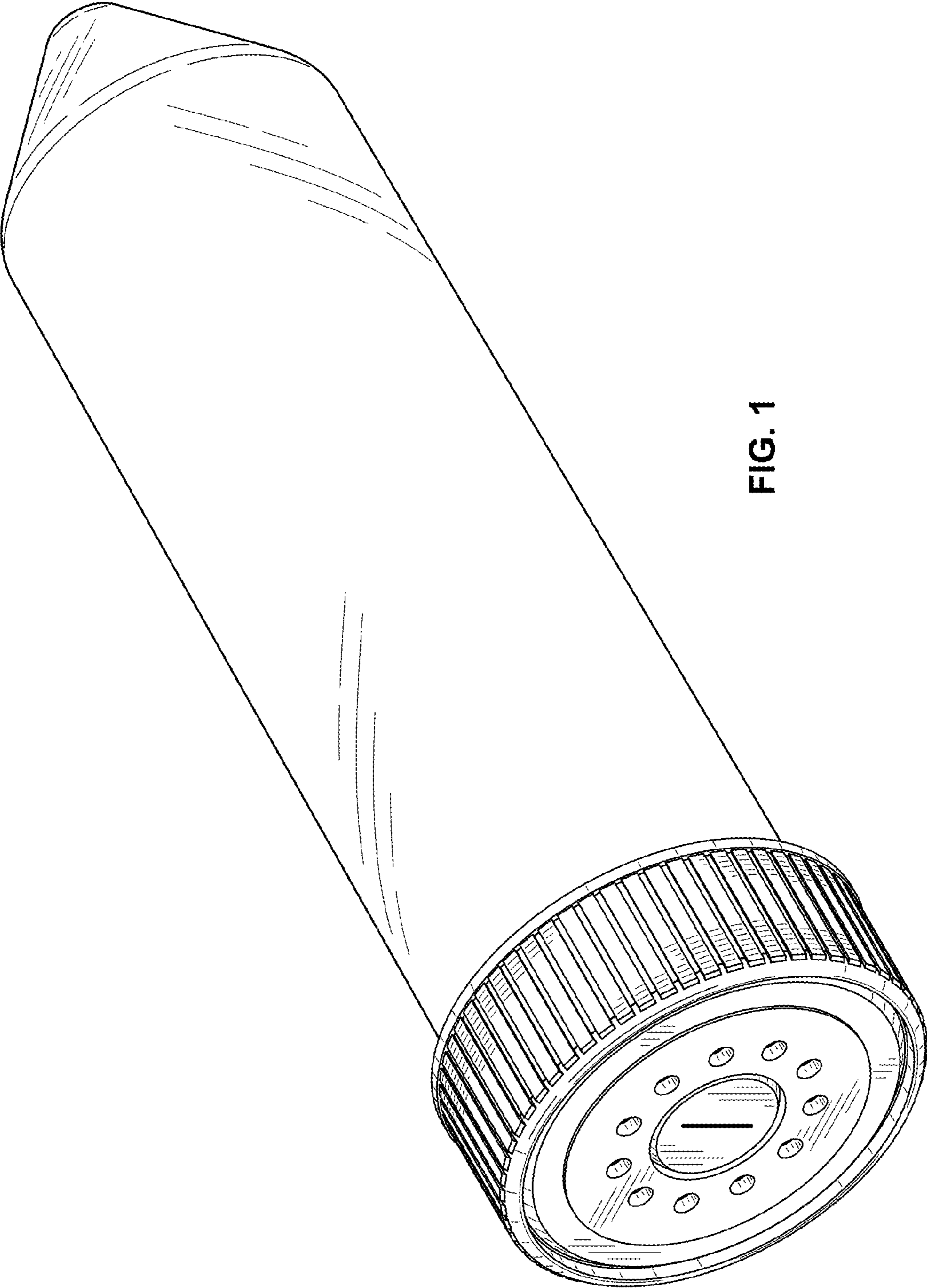


FIG. 1

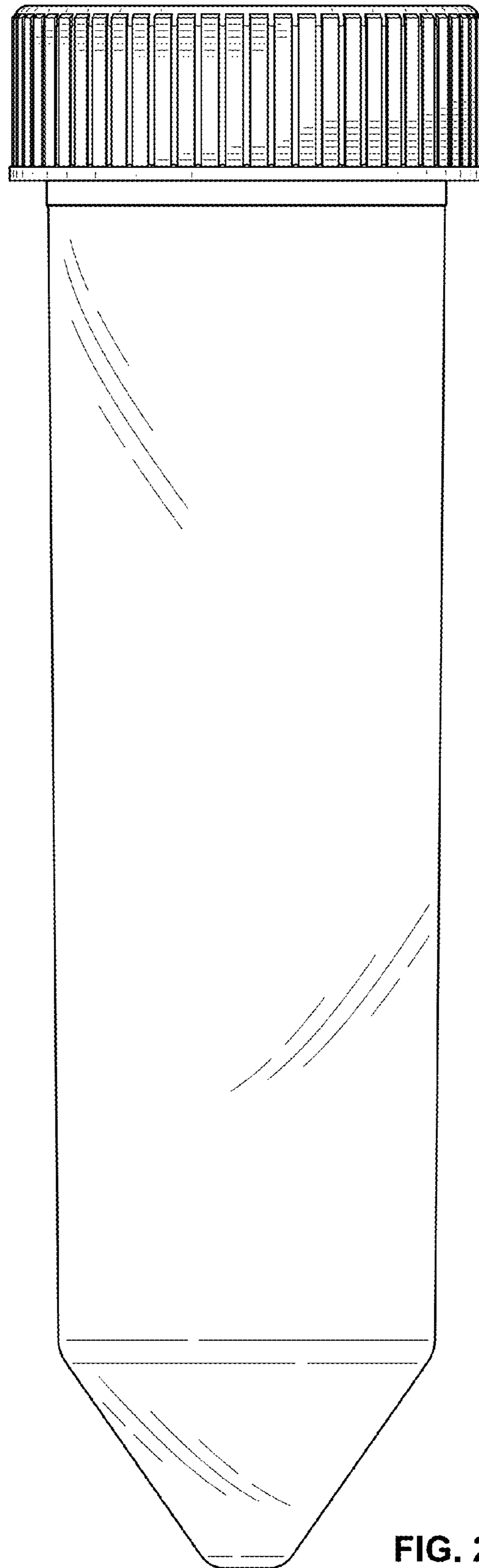


FIG. 2

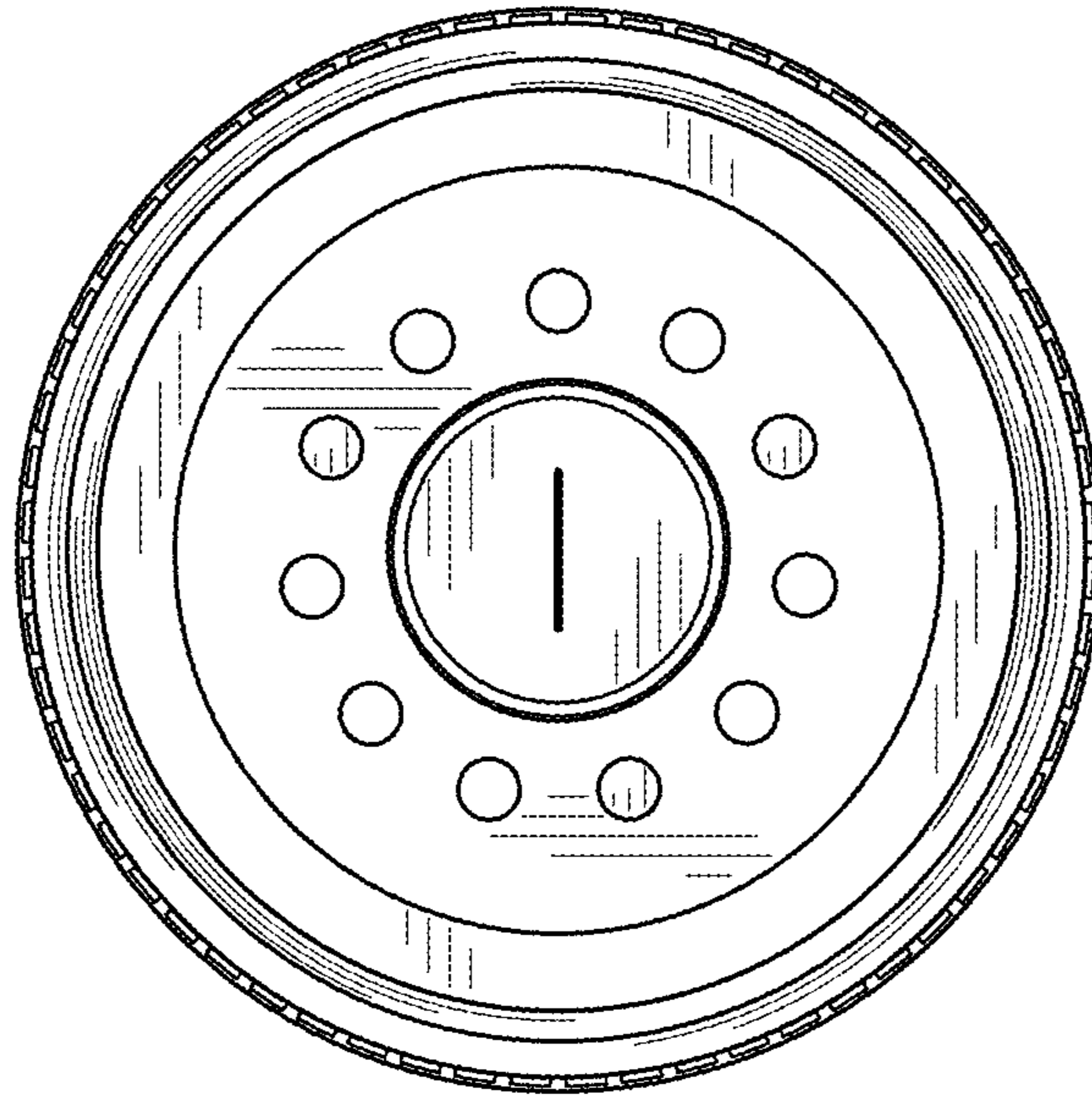


FIG. 3

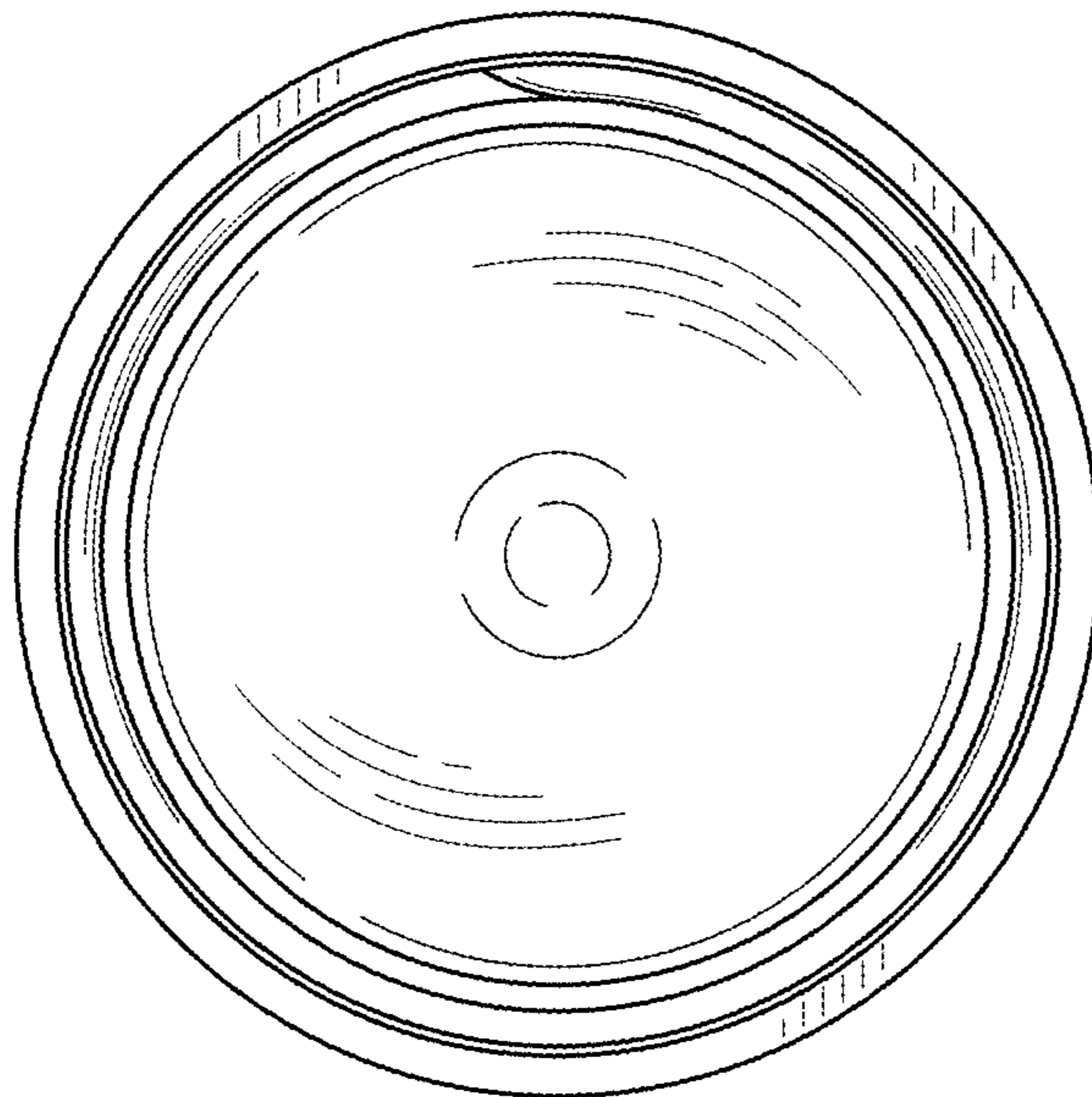


FIG. 4