



US00D687301S

(12) **United States Design Patent**
Topinka et al.

(10) **Patent No.:** **US D687,301 S**
(45) **Date of Patent:** **** Aug. 6, 2013**

(54) **BOTTLE**

(75) Inventors: **Matthew A. Topinka**, Collierville, TN (US); **Michael P. Tune**, Arlington, TN (US); **John Bischoff**, Austintown, OH (US); **Christopher S. Vowells**, Chatham, NJ (US)

(73) Assignee: **MSD Consumer Care, Inc.**, Memphis, TN (US)

(**) Term: **14 Years**

(21) Appl. No.: **29/403,792**

(22) Filed: **Oct. 11, 2011**

(51) **LOC (9) Cl.** **09-01**

(52) **U.S. Cl.**
USPC **D9/500; D9/772**

(58) **Field of Classification Search**
USPC D9/500, 502–505, 516, 529–530, D9/537–540, 549, 558, 575, 682, 686, 688–691, D9/772–773, 776; D7/509–511, 523; 215/379, 215/381–382; 220/660, 669–673, 675
See application file for complete search history.

(56) **References Cited**

U.S. PATENT DOCUMENTS

D202,003 S * 8/1965 Douglas D9/772
D313,075 S * 12/1990 Mariol D24/197

D489,988 S * 5/2004 Ogata et al. D9/773
D535,563 S * 1/2007 Martin D9/500
D556,038 S * 11/2007 Chupak D9/500
D628,906 S * 12/2010 Fedusa et al. D9/776

* cited by examiner

Primary Examiner — Ian Simmons

Assistant Examiner — Dana L Meyrow

(74) *Attorney, Agent, or Firm* — Dianne Pecoraro; Matthew J. Golden; Catherine D. Fitch

(57) **CLAIM**

The ornamental design for a bottle, as shown and described.

DESCRIPTION

A portion of the disclosure of this patent document contains material which is protected by copyright. The copyright owner has no objection the facsimile reproduction by anyone of the patent document or the patent disclosure, as it appears in the Patent and Trademark Office patent file or records, but reserves all other copyright rights whatsoever.

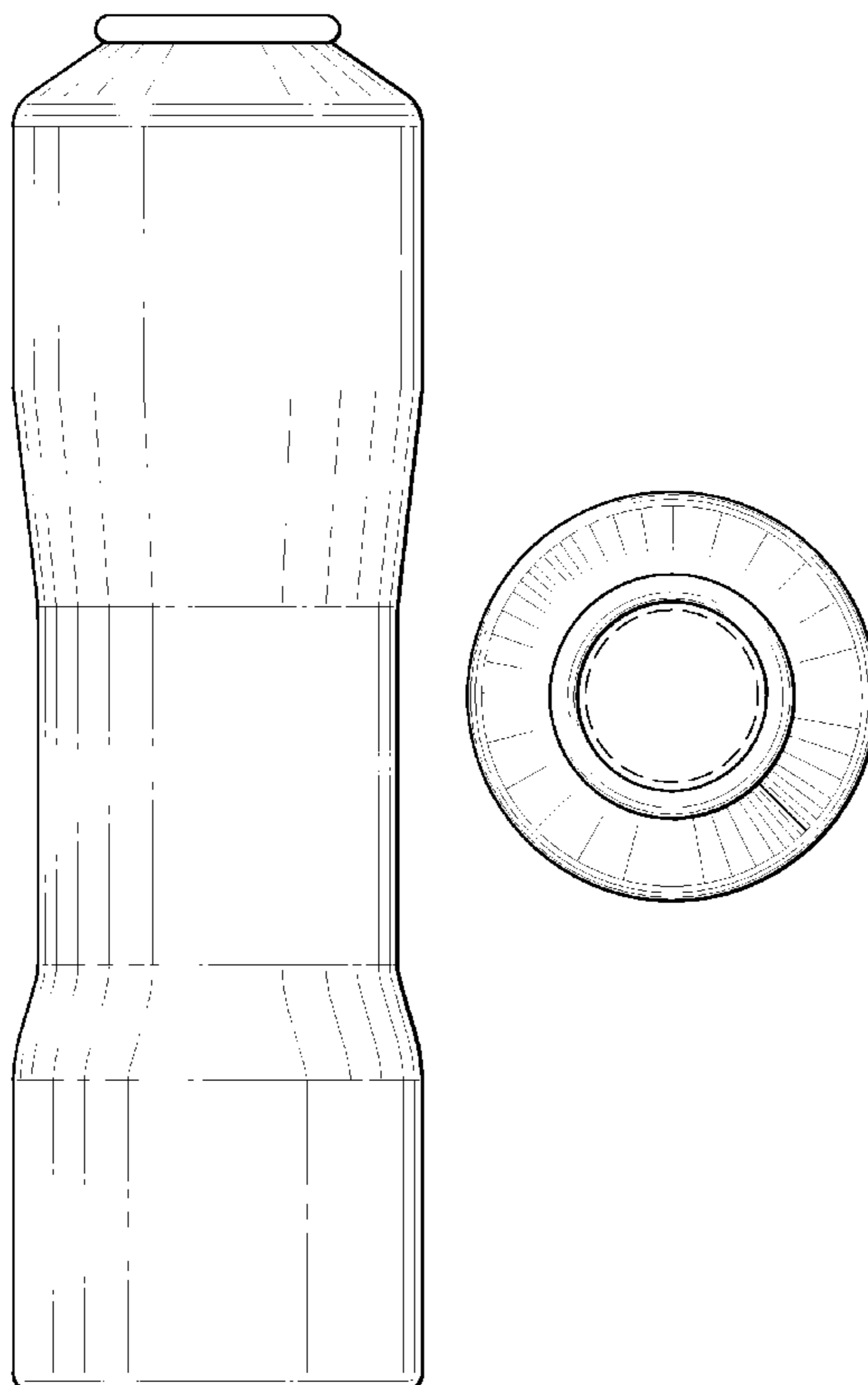
FIG. 1 is a perspective view of a bottle showing our new design.

FIG. 2 is an elevation view of the front of the bottle of FIG. 1. FIG. 3 is a plan view of the top of the bottle shown in FIG. 1; and,

FIG. 4 is a plan view of a bottom of the bottle shown in FIG. 1.

The broken lines are included in the drawings only for illustration, and are not part of the design for which design patent protection is sought.

1 Claim, 3 Drawing Sheets



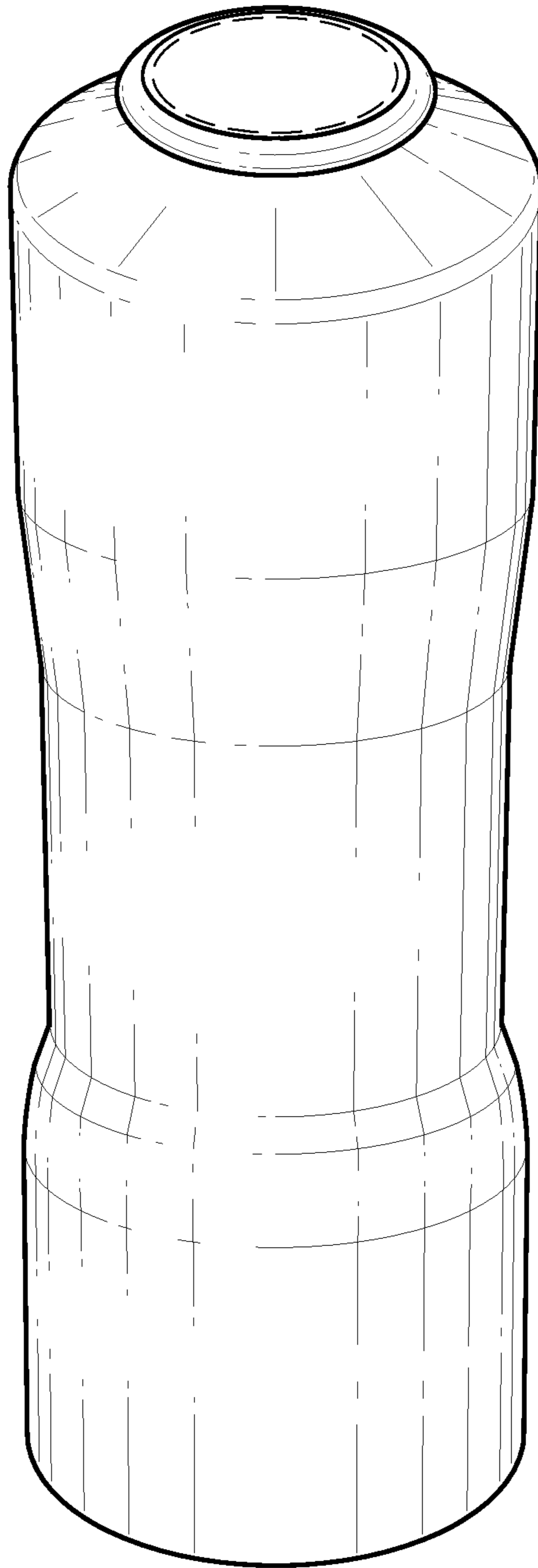


FIG. 1

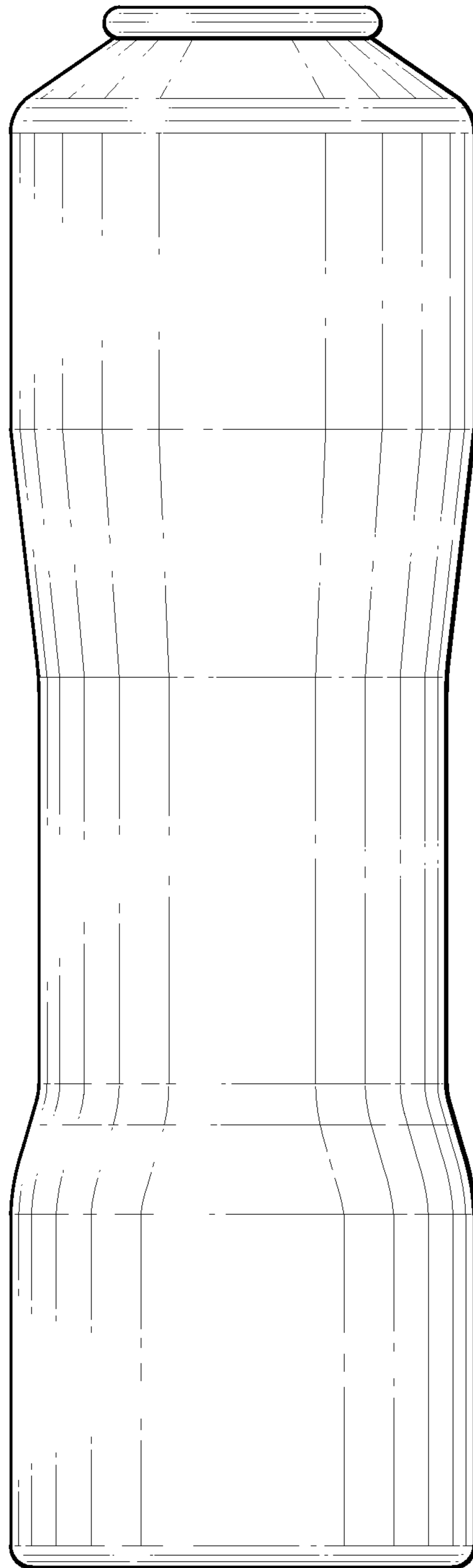


FIG. 2

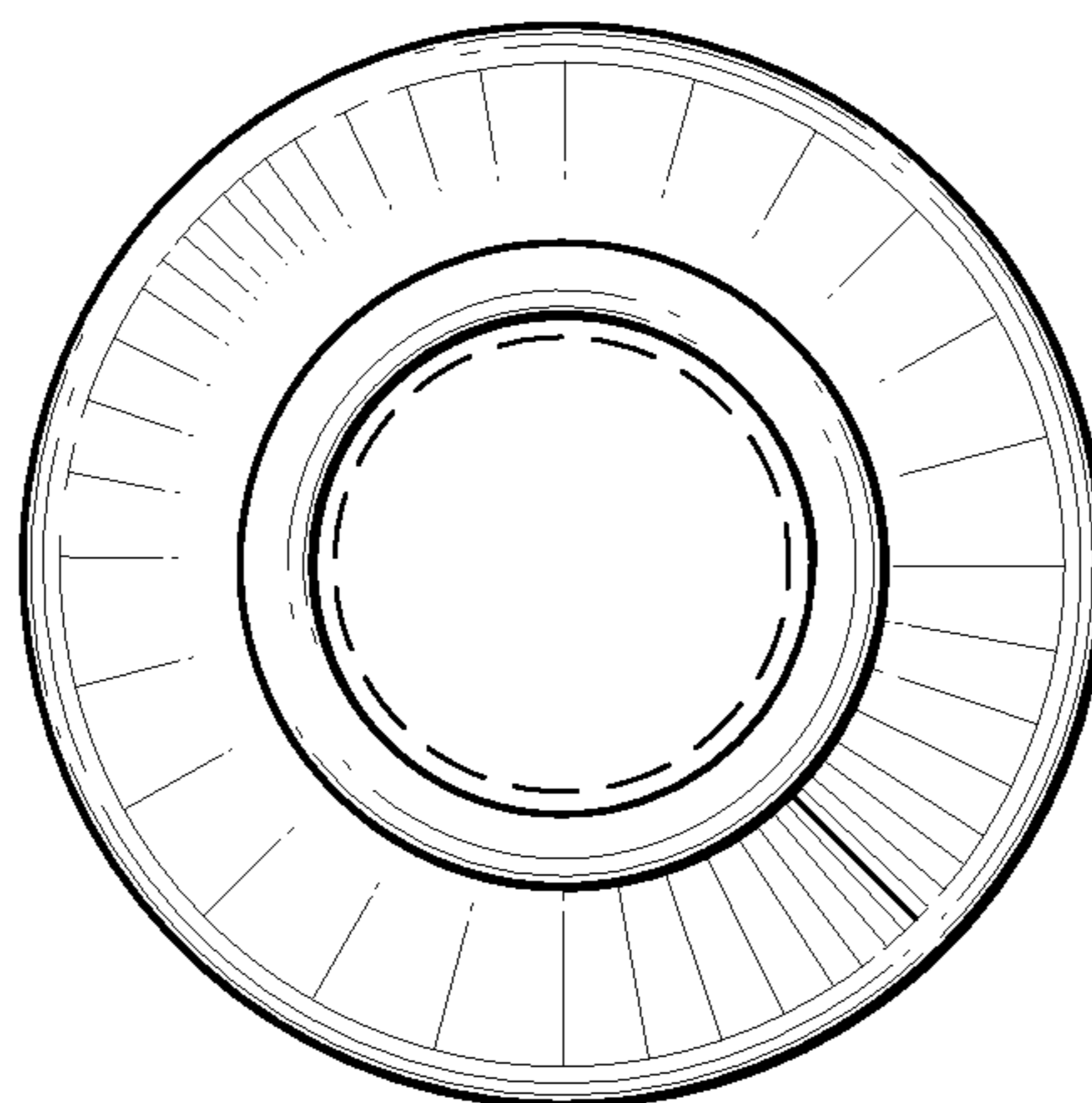


FIG. 3

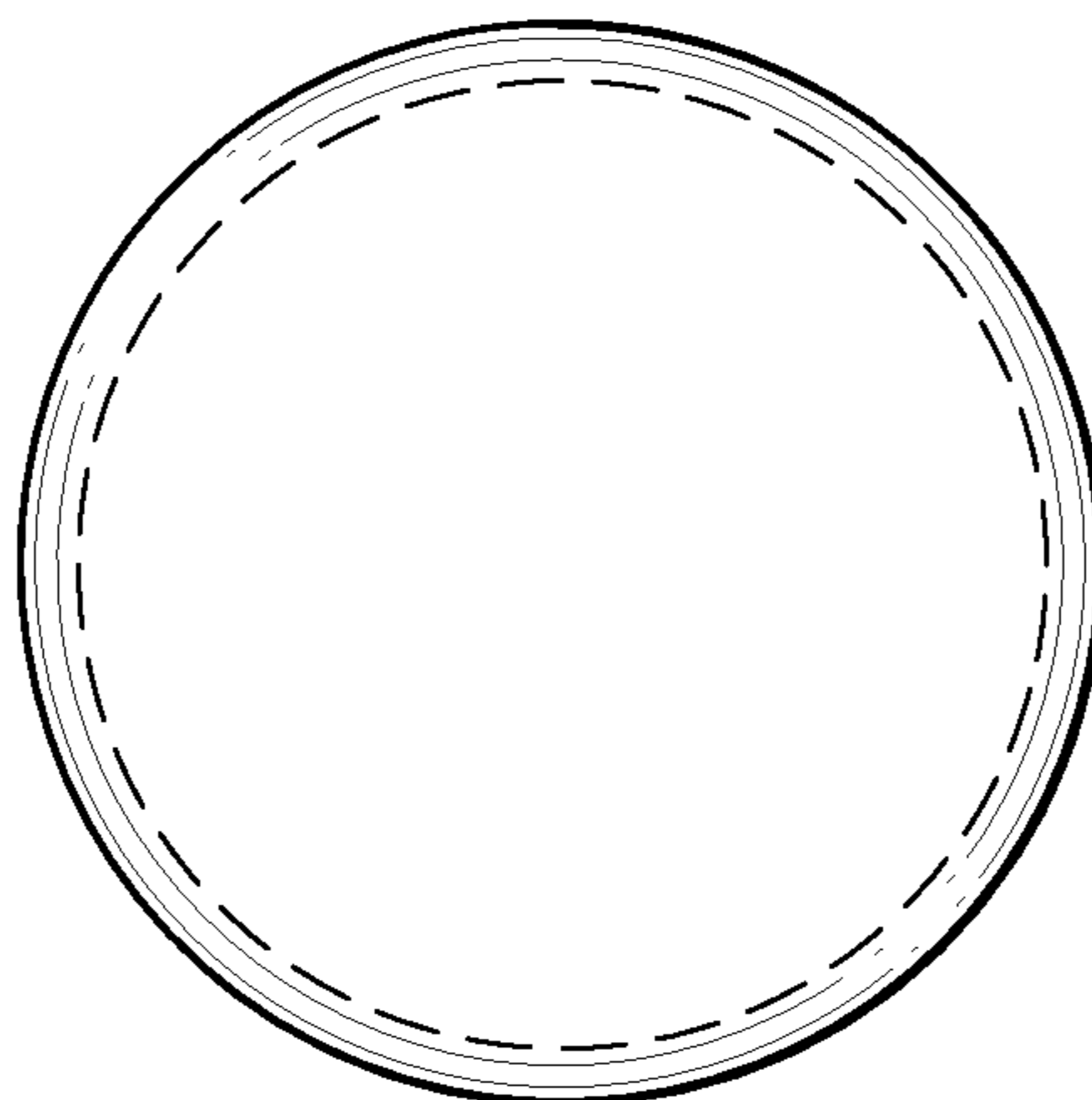


FIG. 4