



US00D687300S

(12) **United States Design Patent**  
**Jones et al.**

(10) **Patent No.:** **US D687,300 S**

(45) **Date of Patent:** **\*\* Aug. 6, 2013**

(54) **TRAY ASSEMBLY FOR A DISPENSING CONTAINER**

(75) Inventors: **Wesley Steven Jones**, Lexington, NC (US); **Jerry Wayne Pipes**, Clemmons, NC (US); **Pankaj Patel**, Clemmons, NC (US); **Jonathan David Corwin**, Winston-Salem, NC (US); **Melissa Ann Clark**, Mocksville, NC (US); **Rick Grainger**, Winston-Salem, NC (US); **Jean-Pierre Giraud**, Auburn, AL (US); **Michel Zbirka**, Jouy-sur-Morin (FR); **Herve Pichot**, Chenneviere sur Marne (FR)

(73) Assignee: **R.J. Reynolds Tobacco Company**, Winston-Salem, NC (US)

(\*\*) Term: **14 Years**

(21) Appl. No.: **29/429,241**

(22) Filed: **Aug. 8, 2012**

**Related U.S. Application Data**

(62) Division of application No. 29/386,792, filed on Mar. 4, 2011, now Pat. No. Des. 667,301.

(51) **LOC (9) Cl.** ..... **09-07**

(52) **U.S. Cl.**  
USPC ..... **D9/456**

(58) **Field of Classification Search**  
USPC ..... D9/456, 455, 434; D3/328, 319, D3/313, 295, 294, 273, 203.8, 203.6, 203.1, D3/201; D25/141, 125, 123, 115, 114, 113; 428/152, 150, 141; 410/154; 206/711, 710  
See application file for complete search history.

(56) **References Cited**

U.S. PATENT DOCUMENTS

|             |         |                |
|-------------|---------|----------------|
| 194,197 A   | 8/1877  | Villaret       |
| 2,090,530 A | 8/1937  | Gary et al.    |
| D134,249 S  | 9/1942  | Button         |
| 3,696,917 A | 10/1972 | Levi           |
| 3,782,584 A | 1/1974  | Swenson et al. |

(Continued)

FOREIGN PATENT DOCUMENTS

|    |          |         |
|----|----------|---------|
| CH | 180218 A | 10/1935 |
| GB | 686 870  | 2/1953  |

(Continued)

*Primary Examiner* — Susan Bennett Hattan  
(74) *Attorney, Agent, or Firm* — Womble Carlyle Sandridge & Rice, LLP

(57) **CLAIM**

The ornamental design for a tray assembly for a dispensing container, as shown and described.

**DESCRIPTION**

FIG. 1 is a top, front perspective view of the new design for a tray assembly for a dispensing container, the tray assembly having a sloped central divider and a transparent cover portion;

FIG. 2 is a top, rear perspective view thereof;

FIG. 3 is a top plan view thereof;

FIG. 4 is an exploded front view thereof;

FIG. 5 is an exploded rear view thereof;

FIG. 6 is a top, front perspective view of the new design for a tray assembly for a dispensing container, the tray assembly having a notched central divider and a transparent cover portion;

FIG. 7 is a top, rear perspective view thereof;

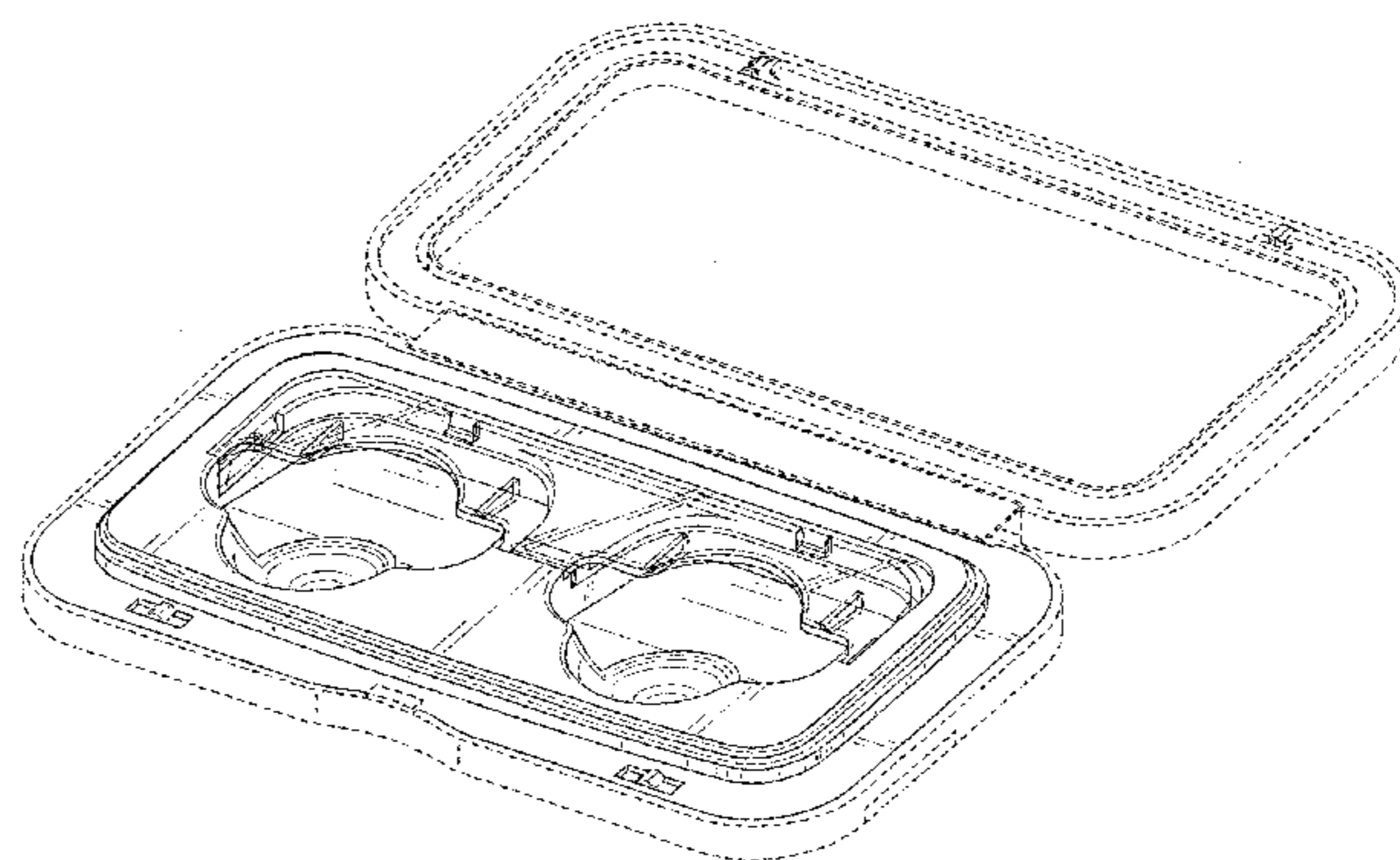
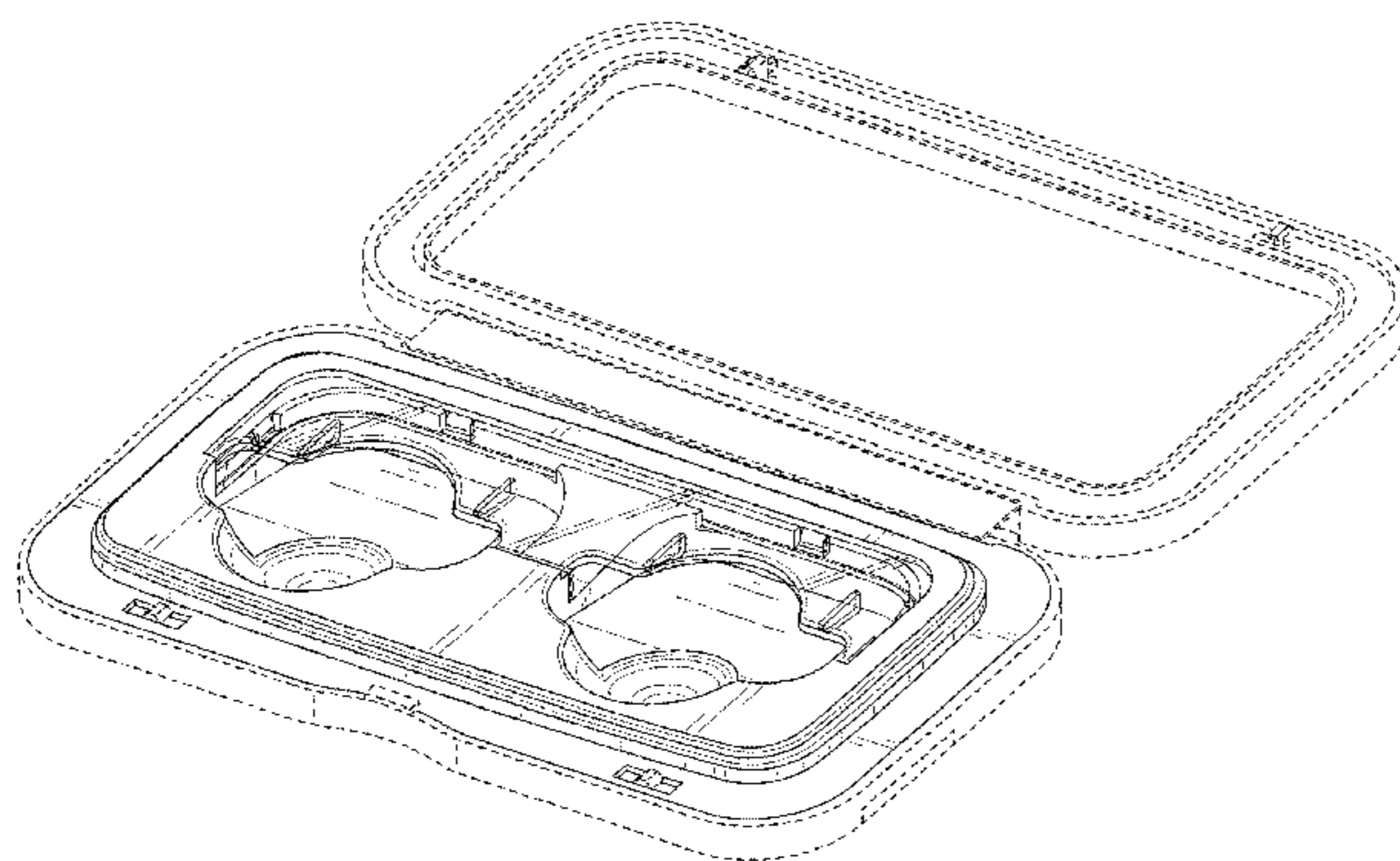
FIG. 8 is a top plan view thereof;

FIG. 9 is an exploded front view thereof; and,

FIG. 10 is an exploded rear view thereof.

The broken lines shown herein depict environmental subject matter only and form no part of the claimed design.

**1 Claim, 10 Drawing Sheets**



# US D687,300 S

## U.S. PATENT DOCUMENTS

|           |     |         |                     |        |
|-----------|-----|---------|---------------------|--------|
| 3,895,737 | A   | 7/1975  | Phillips            |        |
| 4,007,828 | A   | 2/1977  | Mayled              |        |
| 4,057,145 | A   | 11/1977 | Wray et al.         |        |
| 4,154,365 | A   | 5/1979  | Lorca               |        |
| D254,296  | S   | 2/1980  | Doneaux             |        |
| 4,284,204 | A   | 8/1981  | Cary, Jr.           |        |
| 4,437,579 | A   | 3/1984  | Obland              |        |
| 4,561,544 | A   | 12/1985 | Reeve               |        |
| 4,572,376 | A   | 2/1986  | Wrennall            |        |
| 4,611,727 | A   | 9/1986  | Graff               |        |
| 4,705,165 | A   | 11/1987 | Thieke              |        |
| D307,555  | S   | 5/1990  | Haenni et al.       |        |
| 5,108,006 | A   | 4/1992  | Tieke et al.        |        |
| 5,174,471 | A   | 12/1992 | Kozlowski et al.    |        |
| 5,275,291 | A   | 1/1994  | Sledge              |        |
| D382,200  | S   | 8/1997  | Brondyke et al.     |        |
| 5,657,901 | A   | 8/1997  | Farside             |        |
| 5,729,955 | A   | 3/1998  | Yamada              |        |
| D393,591  | S   | 4/1998  | Baryshyan           |        |
| 5,782,359 | A   | 7/1998  | McAllister et al.   |        |
| 5,816,441 | A   | 10/1998 | Farside             |        |
| 5,897,025 | A   | 4/1999  | Flewitt et al.      |        |
| 5,909,822 | A   | 6/1999  | George et al.       |        |
| 5,915,560 | A   | 6/1999  | George et al.       |        |
| 6,131,765 | A   | 10/2000 | Barry et al.        |        |
| 6,155,454 | A   | 12/2000 | George et al.       |        |
| D444,058  | S   | 6/2001  | Hampshire et al.    |        |
| 6,267,265 | B1  | 7/2001  | Issa                |        |
| 6,460,693 | B1  | 10/2002 | Harrold             |        |
| 6,527,138 | B2  | 3/2003  | Pawlo et al.        |        |
| 6,758,338 | B2  | 7/2004  | Lien                |        |
| D495,545  | S   | 9/2004  | Niehues             |        |
| 6,863,175 | B2  | 3/2005  | Gelardi             |        |
| 6,913,149 | B2  | 7/2005  | Gelardi et al.      |        |
| 6,976,576 | B2  | 12/2005 | Intini              |        |
| D531,499  | S   | 11/2006 | Zaidman             |        |
| 7,159,720 | B2  | 1/2007  | Pearson             |        |
| 7,216,776 | B2  | 5/2007  | Gelardi             |        |
| 7,288,745 | B2  | 10/2007 | Colonna             |        |
| 7,353,969 | B2  | 4/2008  | McHutchinson        |        |
| D572,588  | S   | 7/2008  | Osborn et al.       |        |
| D589,798  | S   | 4/2009  | Liipola             |        |
| D595,056  | S   | 6/2009  | Pettersson          |        |
| 7,565,969 | B2  | 7/2009  | He                  |        |
| 7,588,149 | B2  | 9/2009  | Gelardi             |        |
| D608,593  | S   | 1/2010  | Follansbee et al.   |        |
| 7,712,630 | B2  | 5/2010  | He                  |        |
| D631,353  | S * | 1/2011  | Gelardi et al. .... | D9/456 |
| D631,354  | S * | 1/2011  | Gelardi et al. .... | D9/456 |
| D631,747  | S * | 2/2011  | Gelardi et al. .... | D9/456 |
| D633,388  | S * | 3/2011  | Andre et al. ....   | D9/456 |

|              |      |         |                     |        |
|--------------|------|---------|---------------------|--------|
| D638,297     | S *  | 5/2011  | Gelardi et al. .... | D9/456 |
| D639,162     | S *  | 6/2011  | Gelardi et al. .... | D9/456 |
| D639,163     | S *  | 6/2011  | Gelardi et al. .... | D9/456 |
| D655,165     | S *  | 3/2012  | Jensen et al. ....  | D9/456 |
| D658,377     | S *  | 5/2012  | Corwin et al. ....  | D3/302 |
| D667,301     | S *  | 9/2012  | Jones et al. ....   | D9/456 |
| D667,302     | S *  | 9/2012  | Jones et al. ....   | D9/456 |
| D667,303     | S *  | 9/2012  | Jones et al. ....   | D9/456 |
| D667,304     | S *  | 9/2012  | Jones et al. ....   | D9/456 |
| D675,516     | S *  | 2/2013  | Horton et al. ....  | D9/424 |
| D676,321     | S *  | 2/2013  | Jones et al. ....   | D9/456 |
| D677,163     | S *  | 3/2013  | Jones et al. ....   | D9/456 |
| D677,164     | S *  | 3/2013  | Jones et al. ....   | D9/456 |
| D678,067     | S *  | 3/2013  | Jones et al. ....   | D9/456 |
| 8,397,945    | B2 * | 3/2013  | Gelardi et al. .... | 221/45 |
| 2002/0096517 | A1   | 7/2002  | Gelardi             |        |
| 2002/0175195 | A1   | 11/2002 | Cole                |        |
| 2004/0217024 | A1   | 11/2004 | Arnarp et al.       |        |
| 2005/0173272 | A1   | 8/2005  | Lemmons, IV         |        |
| 2006/0060480 | A1   | 3/2006  | Budd                |        |
| 2006/0118589 | A1   | 6/2006  | Arnarp et al.       |        |
| 2006/0124658 | A1   | 6/2006  | Coe et al.          |        |
| 2006/0243611 | A1   | 11/2006 | Wu                  |        |
| 2007/0068960 | A1   | 3/2007  | Valentine et al.    |        |
| 2007/0163911 | A1   | 7/2007  | Gelardi             |        |
| 2007/0277299 | A1   | 12/2007 | Kroon               |        |
| 2008/0029110 | A1   | 2/2008  | Dube et al.         |        |
| 2008/0029116 | A1   | 2/2008  | Robinson et al.     |        |
| 2008/0035643 | A1   | 2/2008  | Hoffman             |        |
| 2009/0223989 | A1   | 9/2009  | Gelardi             |        |
| 2009/0266837 | A1   | 10/2009 | Gelardi et al.      |        |
| 2010/0018882 | A1   | 1/2010  | St. Charles         |        |
| 2010/0018883 | A1   | 1/2010  | Patel               |        |
| 2010/0084424 | A1   | 4/2010  | Gelardi             |        |
| 2010/0133140 | A1   | 6/2010  | Bailey et al.       |        |
| 2010/0264157 | A1   | 10/2010 | Bailey et al.       |        |
| 2011/0073610 | A1   | 3/2011  | Giraud et al.       |        |

## FOREIGN PATENT DOCUMENTS

|    |                   |        |
|----|-------------------|--------|
| GB | 2 042 476         | 9/1980 |
| WO | WO 99/48391 A     | 9/1999 |
| WO | WO 2004/035404 A1 | 4/2004 |
| WO | WO 2005/016036 A1 | 2/2005 |
| WO | WO 2005/030606 A1 | 4/2005 |
| WO | WO 2005/035390 A1 | 4/2005 |
| WO | WO 2007/017761 A2 | 2/2007 |
| WO | WO 2007/067953 A2 | 6/2007 |
| WO | WO 2007/070867 A2 | 6/2007 |
| WO | WO 2008/070032 A2 | 6/2008 |

\* cited by examiner

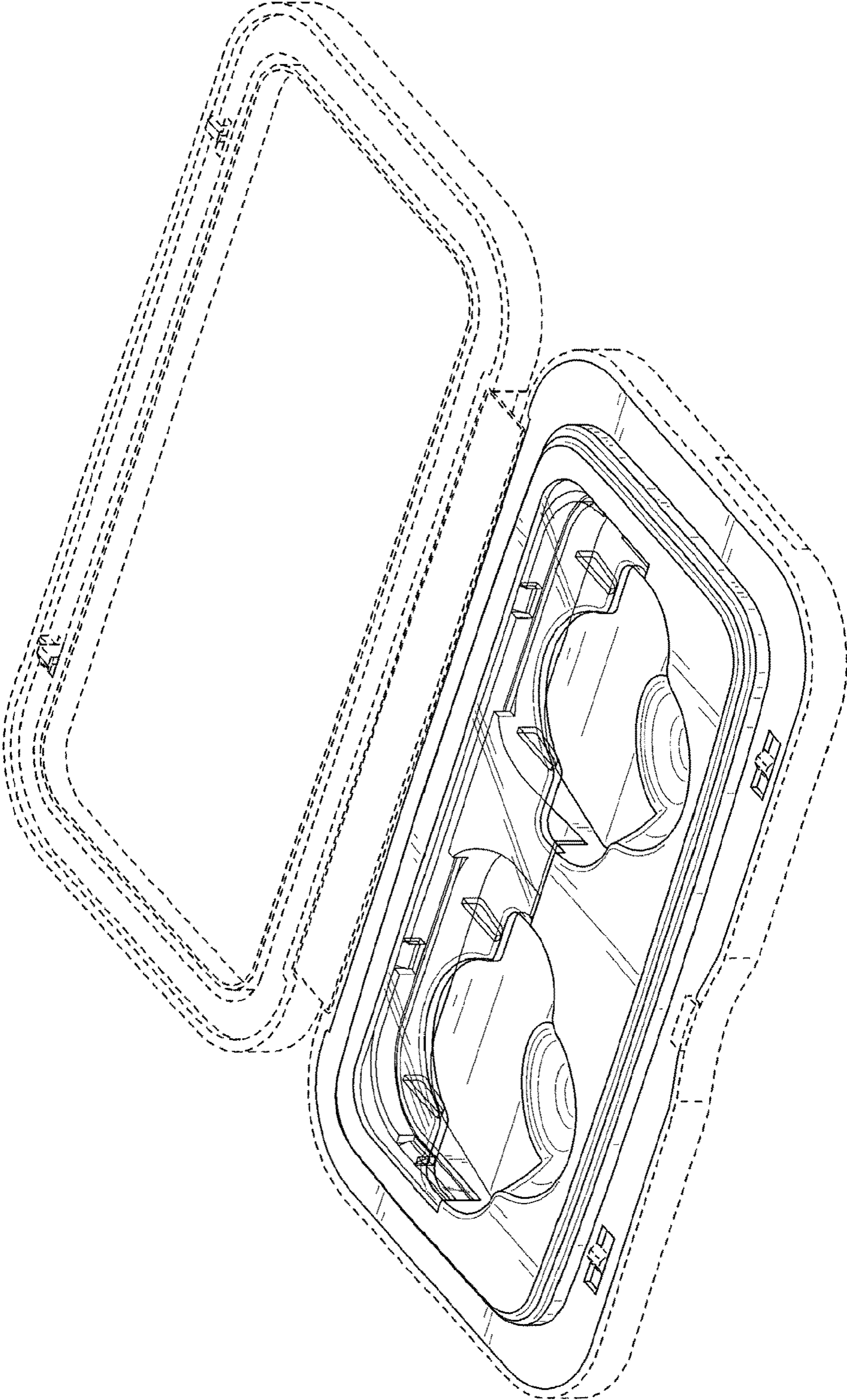


Fig. 1

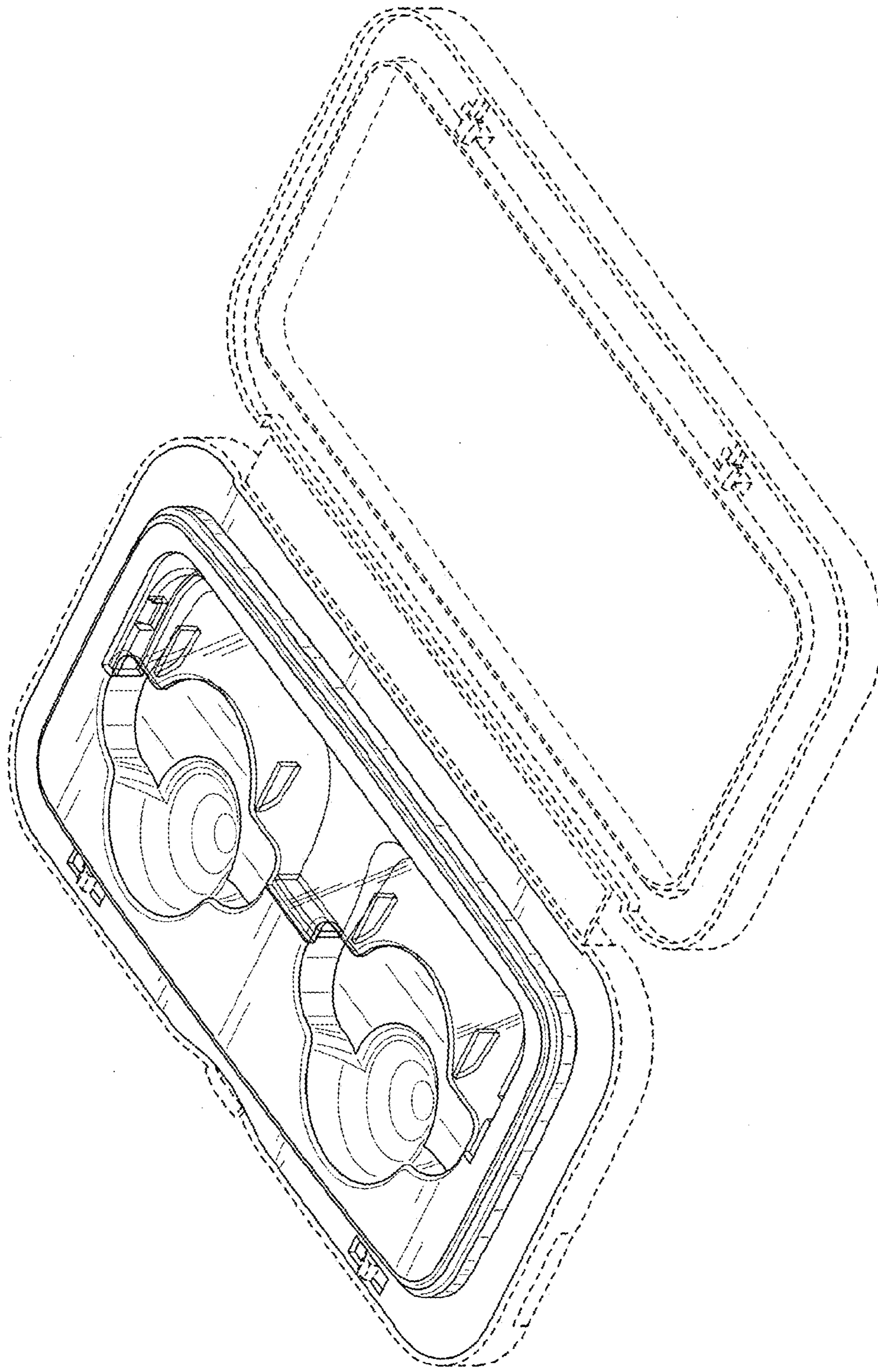


Fig. 2

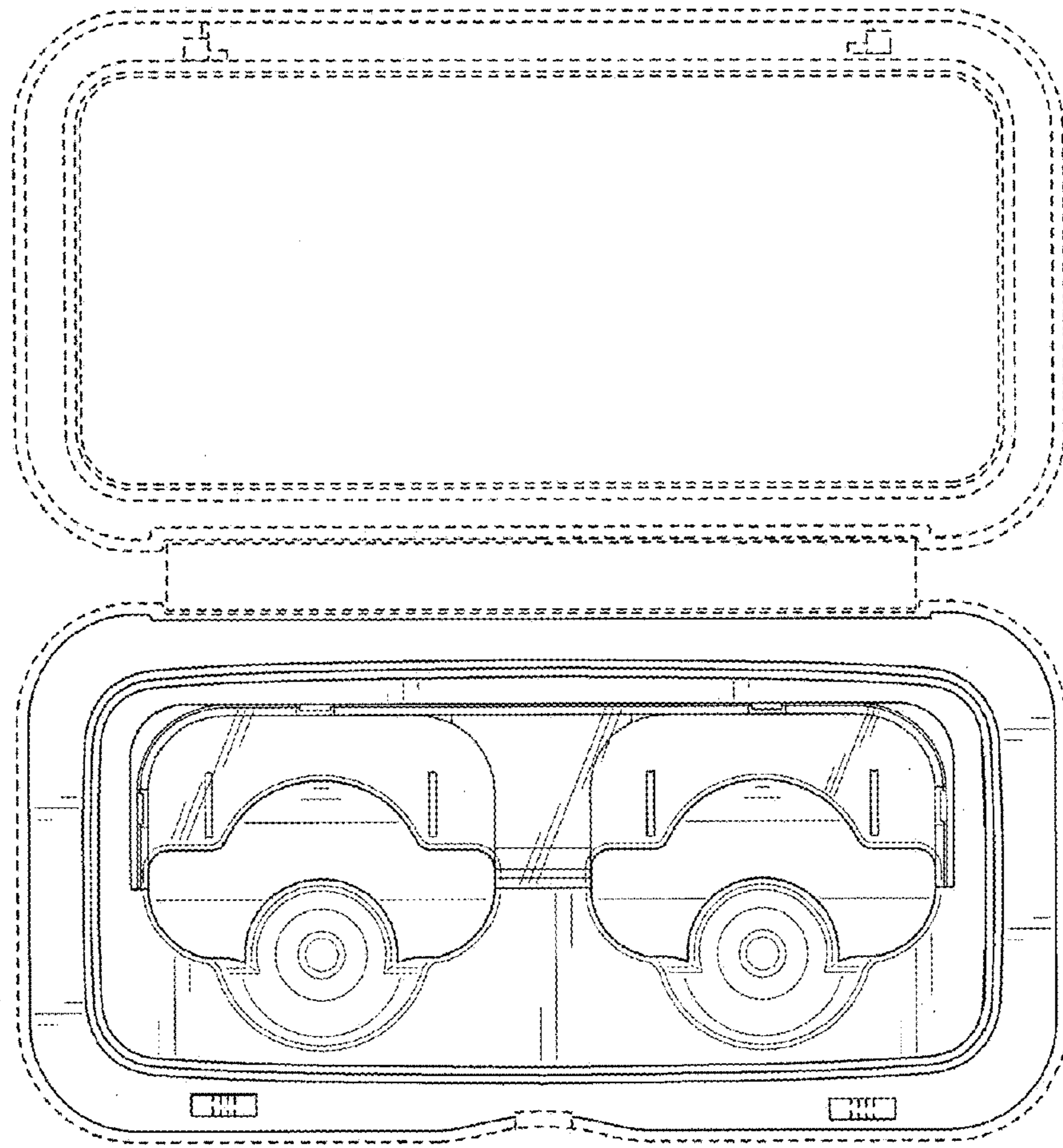


Fig. 3

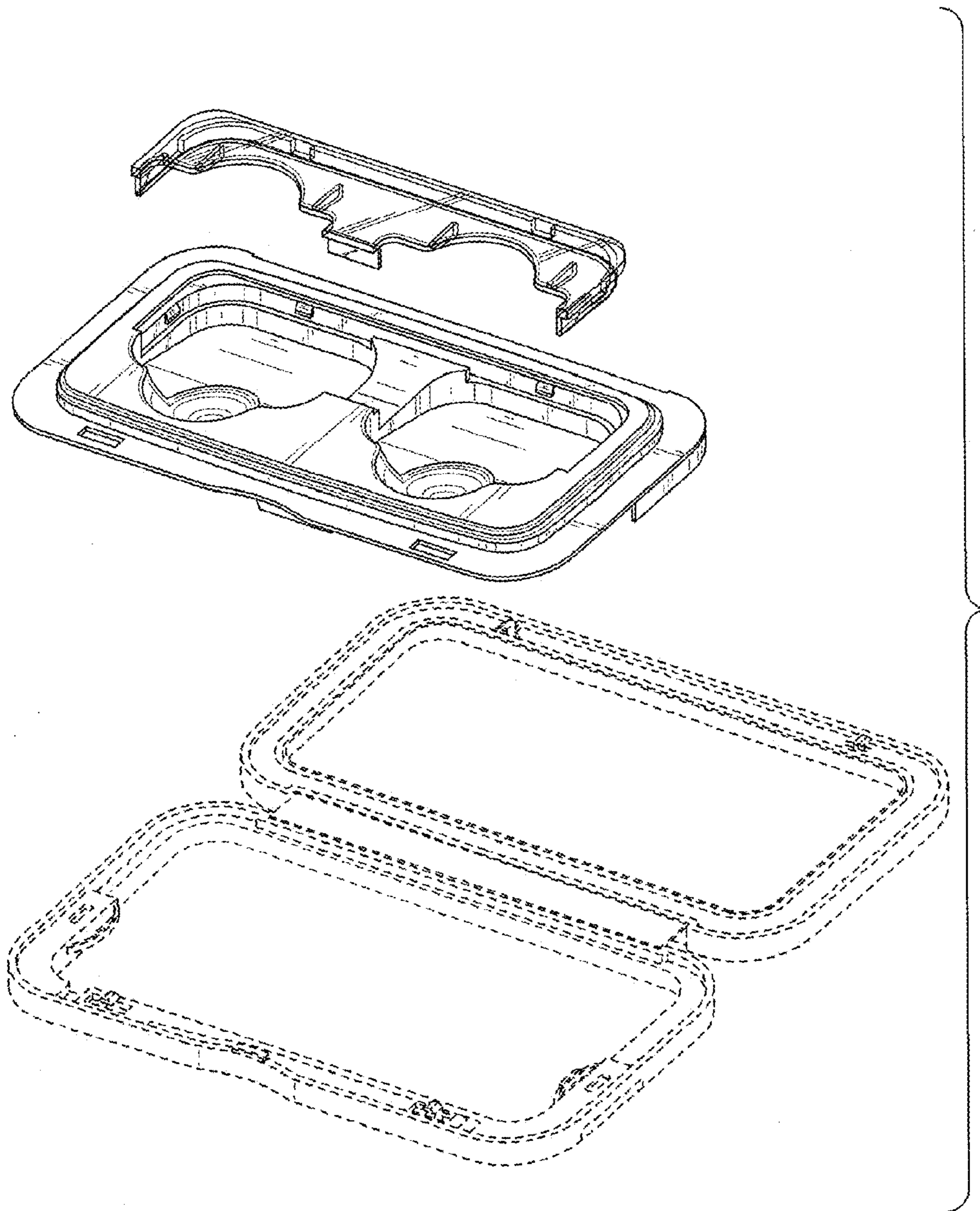


Fig. 4

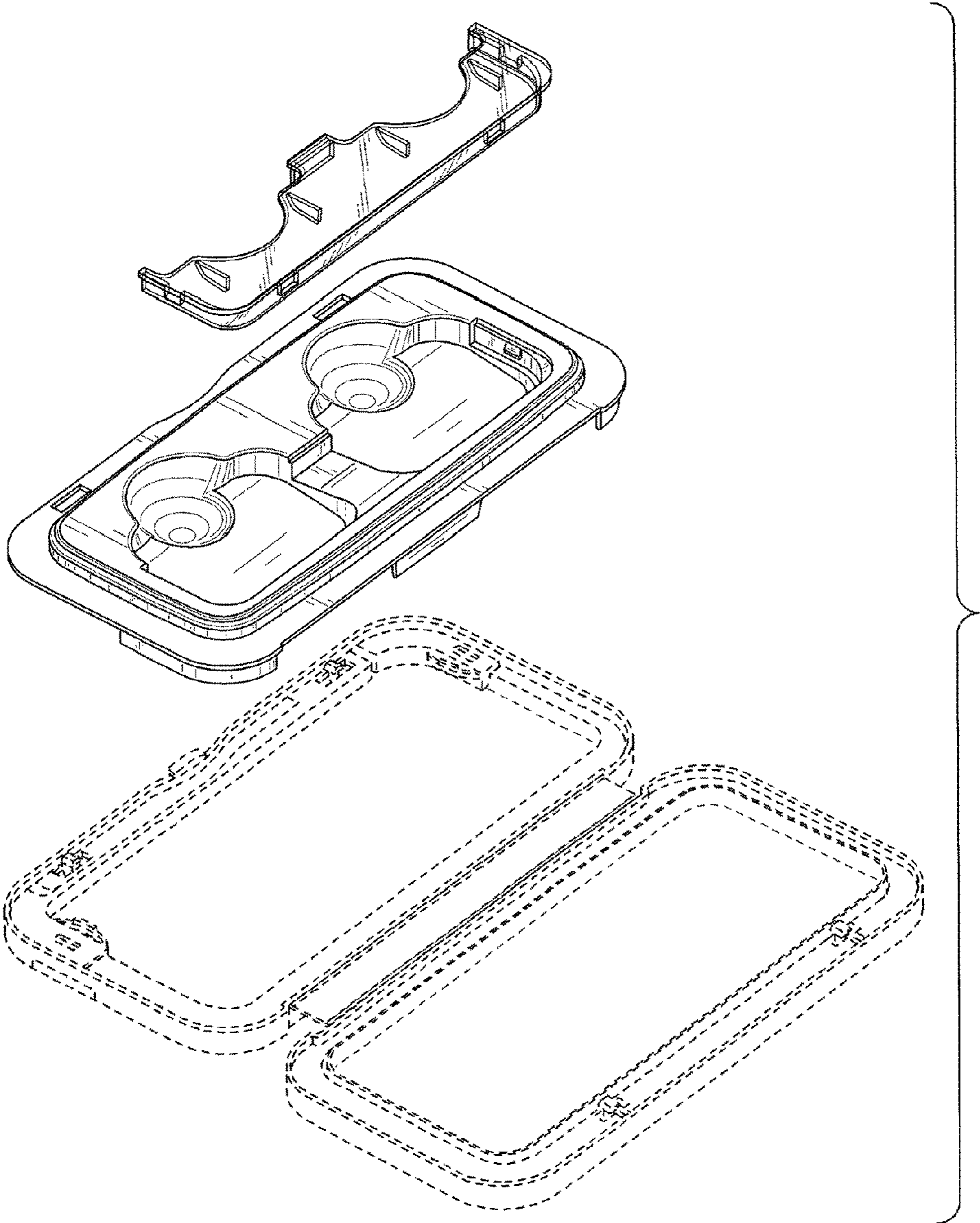


Fig. 5

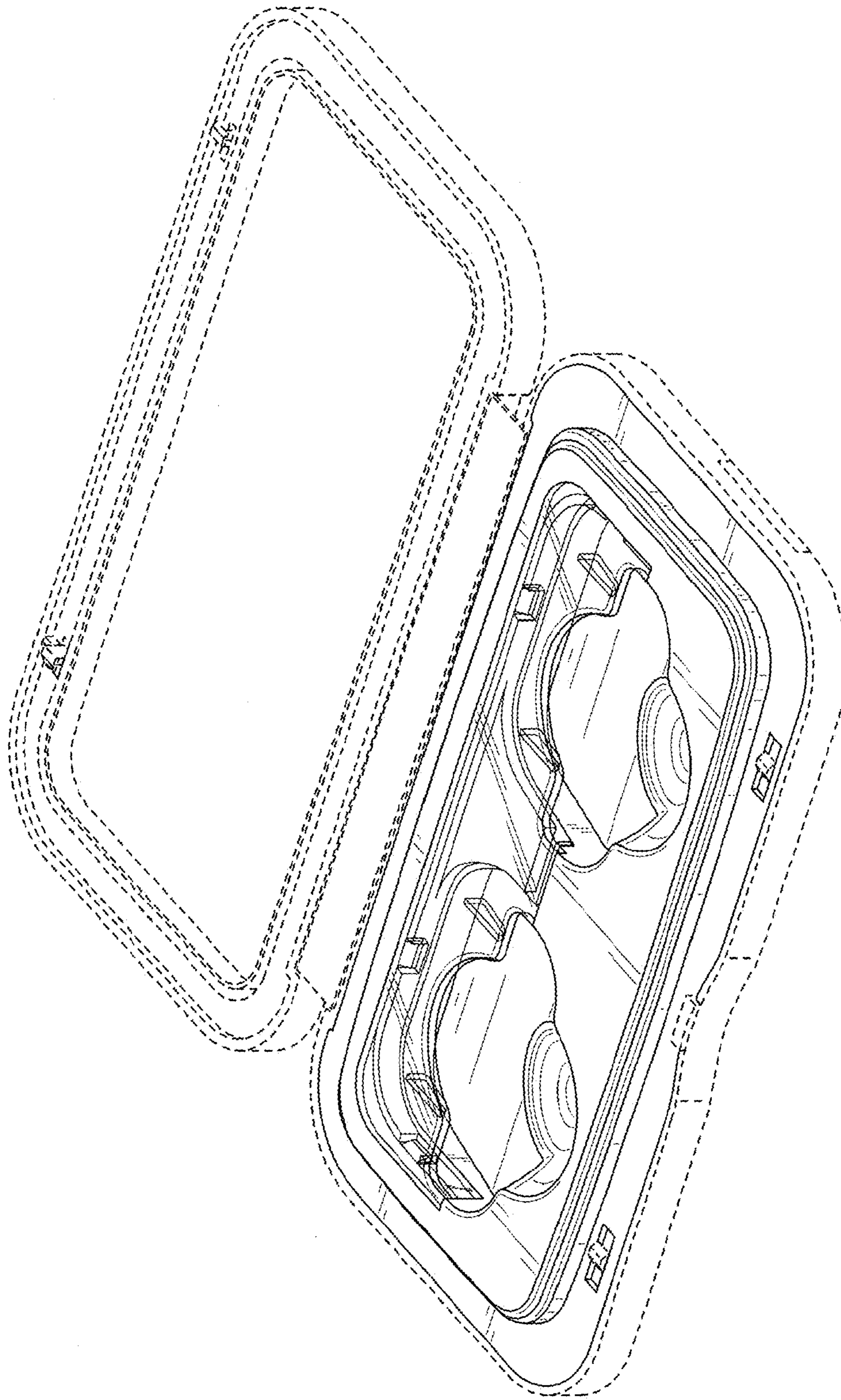


Fig. 6



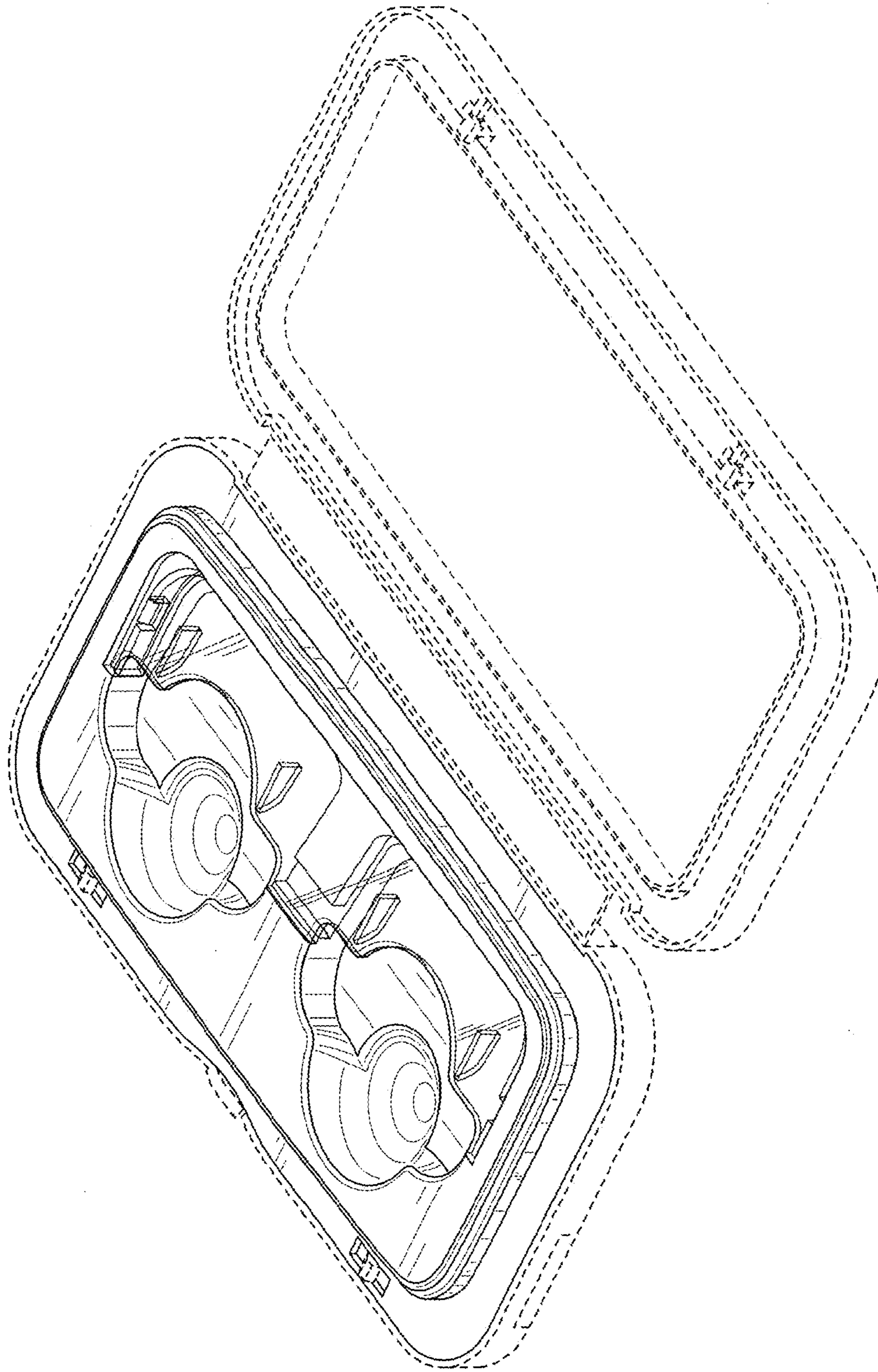


Fig. 7

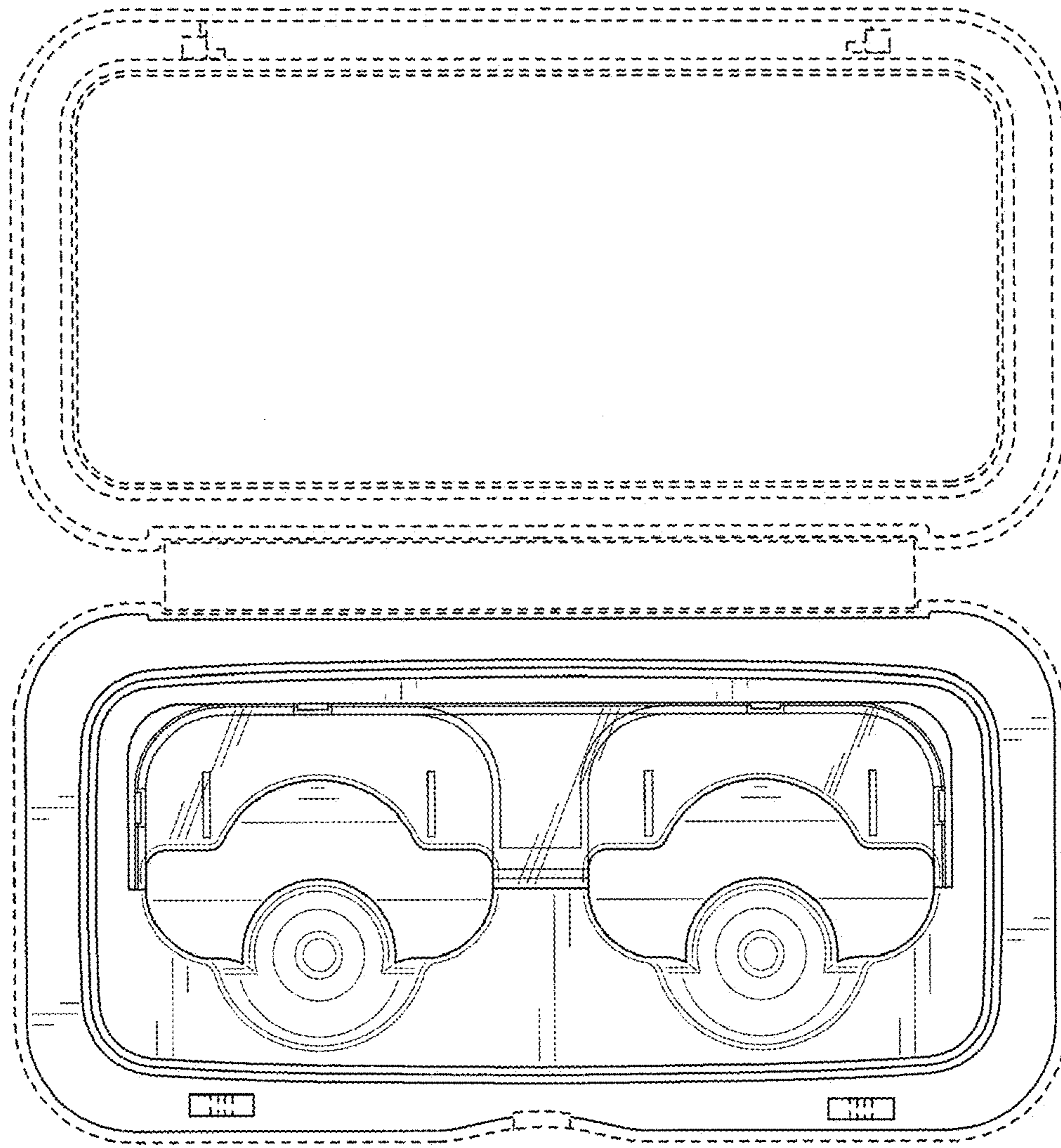


Fig. 8

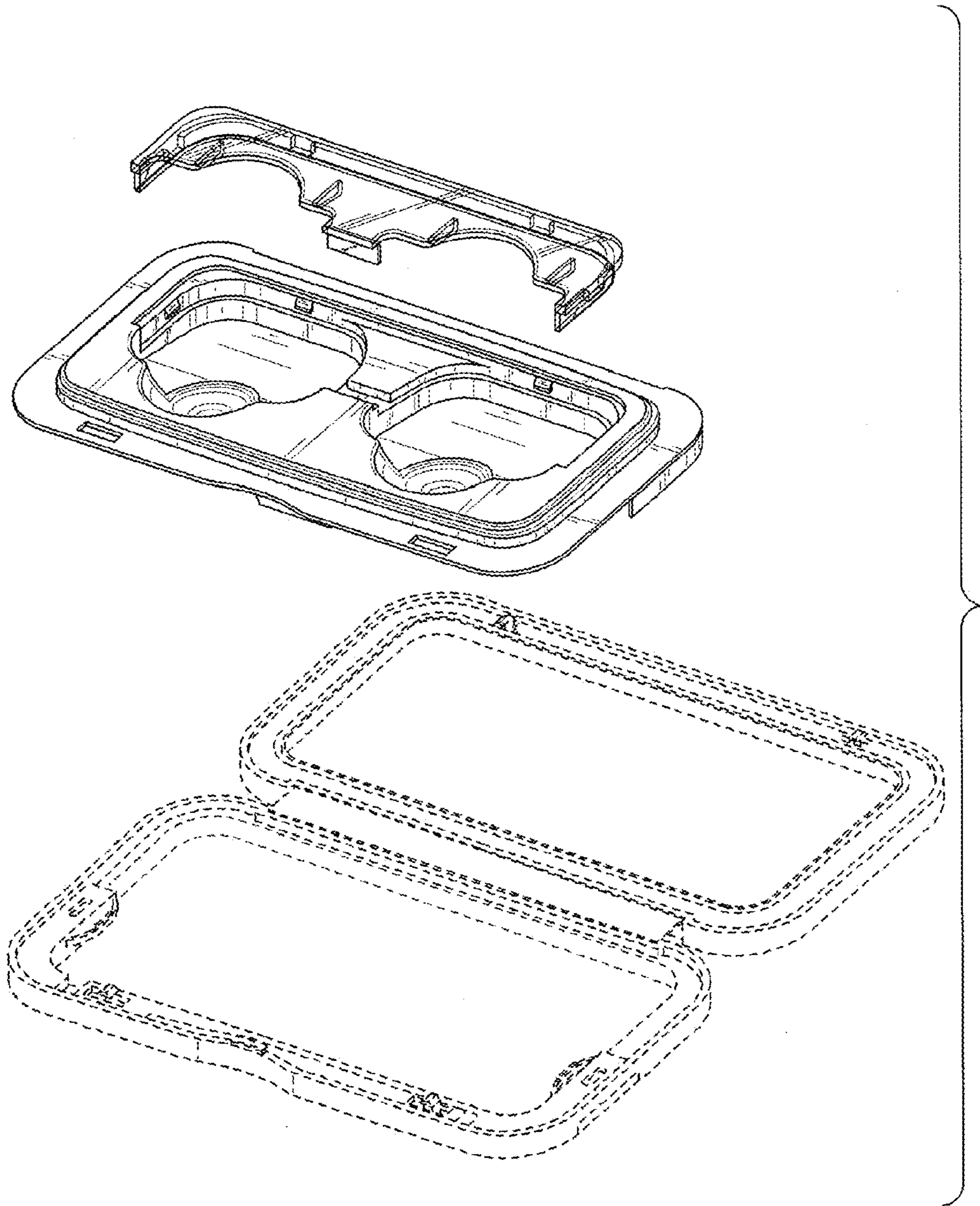


Fig. 9

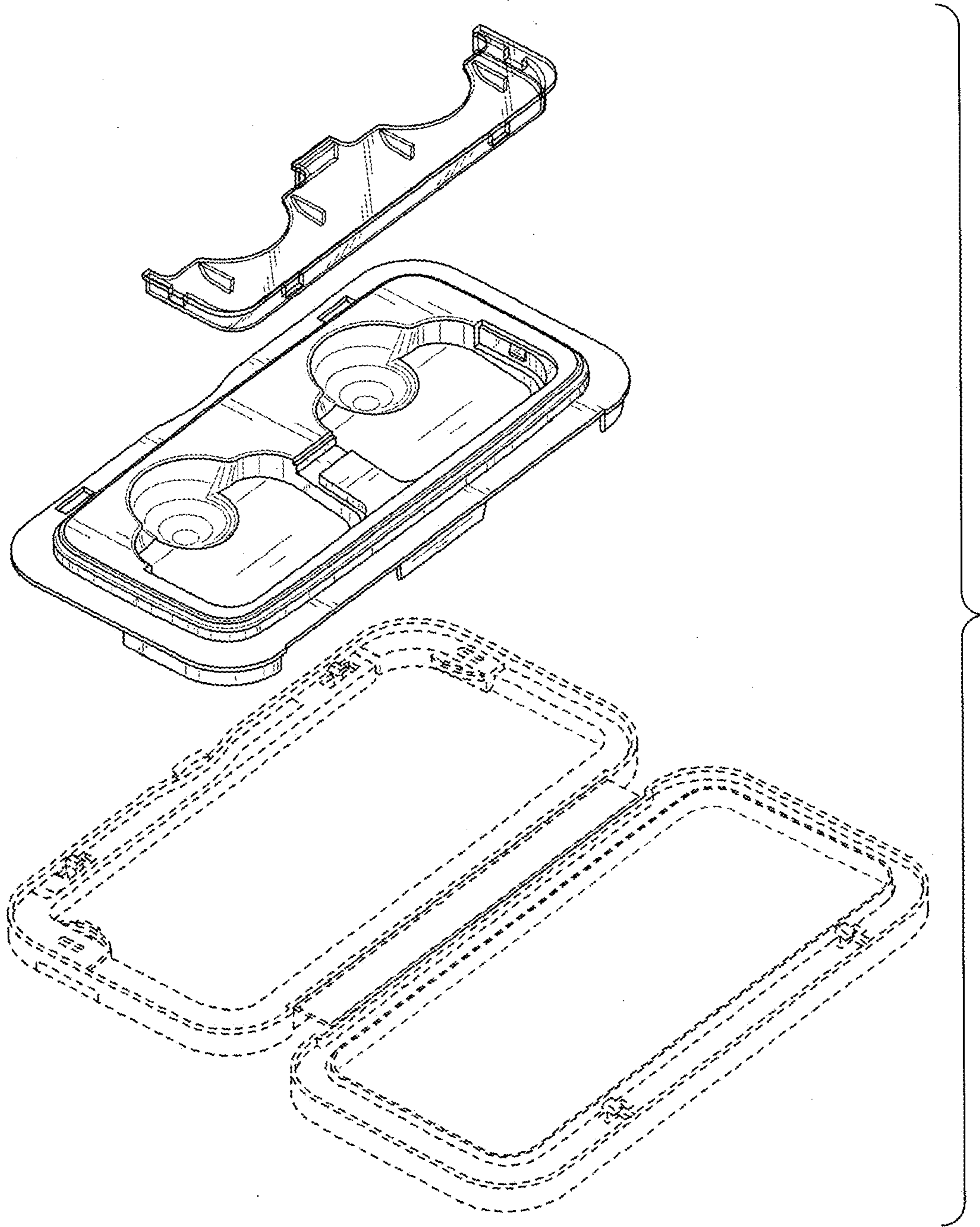


Fig. 10