



US00D687295S

(12) **United States Design Patent**
Park

(10) **Patent No.:** **US D687,295 S**

(45) **Date of Patent:** **** Aug. 6, 2013**

(54) **PACKAGING BOX FOR MOBILE PHONE**

(71) Applicant: **LG Electronics Inc.**, Seoul (KR)

(72) Inventor: **Jungwook Park**, Seoul (KR)

(73) Assignee: **LG Electronics Inc.**, Seoul (KR)

(**) Term: **14 Years**

(21) Appl. No.: **29/434,021**

(22) Filed: **Oct. 9, 2012**

(30) **Foreign Application Priority Data**

May 7, 2012 (KR) 30-2012-0022065

(51) **LOC (9) Cl.** **09-03**

(52) **U.S. Cl.**
USPC **D9/420; D9/432**

(58) **Field of Classification Search**
USPC D9/414, 416, 418, 420-424, 430-433,
D9/455-456; D3/272, 273, 302; 206/267,
206/269, 270, 273, 299, 737, 740, 822; 229/100,
229/101, 101.3, 106, 108-122
See application file for complete search history.

(56) **References Cited**

U.S. PATENT DOCUMENTS

429,960	A *	6/1890	Riedell	229/117.12
2,389,580	A *	11/1945	Skell	229/122.23
4,201,330	A *	5/1980	Gilbert	229/117.16
4,341,339	A *	7/1982	Zore	229/148
D345,101	S *	3/1994	Abrams	D9/423
5,385,293	A *	1/1995	Hirota et al.	229/122
5,909,840	A *	6/1999	Schultheiss	229/120.17
D433,630	S *	11/2000	Lubineau-Bigot et al.	D9/416
D552,987	S *	10/2007	Magnusson	D9/432
D580,754	S *	11/2008	An	D9/433
D591,592	S *	5/2009	An	D9/433

D594,743	S *	6/2009	Lukka	D9/433
D597,835	S *	8/2009	Kwon et al.	D9/432
D606,859	S *	12/2009	Stewart	D9/432
D668,949	S *	10/2012	Hipperson et al.	D9/423

* cited by examiner

Primary Examiner — Susan Bennett Hattan

Assistant Examiner — Vy Koenig

(74) *Attorney, Agent, or Firm* — Morgan, Lewis & Bockius LLP

(57) **CLAIM**

The ornamental design for a packaging box for mobile phone, as shown and described.

DESCRIPTION

FIG. 1 is a perspective view of a packaging box for mobile phone showing my new design;
 FIG. 2 is a front view thereof;
 FIG. 3 is a rear view thereof;
 FIG. 4 is a left side view thereof where the right side view is a mirror image;
 FIG. 5 is a top plan view thereof;
 FIG. 6 is a bottom plan view thereof;
 FIG. 7 is a bottom perspective view showing the state in which the outer cover has been closing;
 FIG. 8 is a perspective view thereof showing the state in which the inner cover of the packaging box for mobile phone has been open;
 FIG. 9 is a front view of FIG. 8;
 FIG. 10 is a rear view of FIG. 8;
 FIG. 11 is a left side view of FIG. 8;
 FIG. 12 is a right side view of FIG. 8;
 FIG. 13 is a top plan view of FIG. 8; and,
 FIG. 14 is a bottom plan view of FIG. 8.

1 Claim, 9 Drawing Sheets

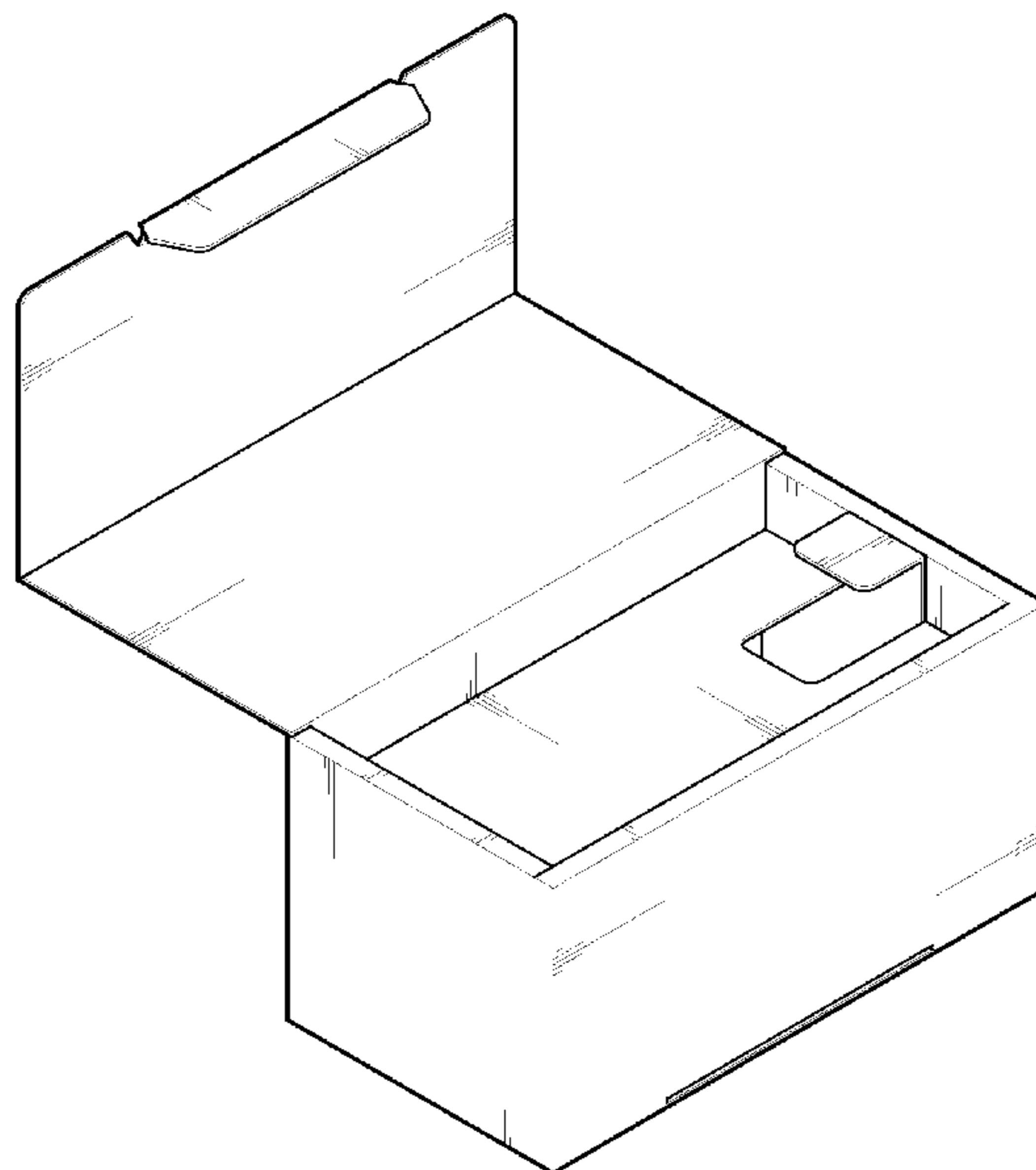


FIG. 1

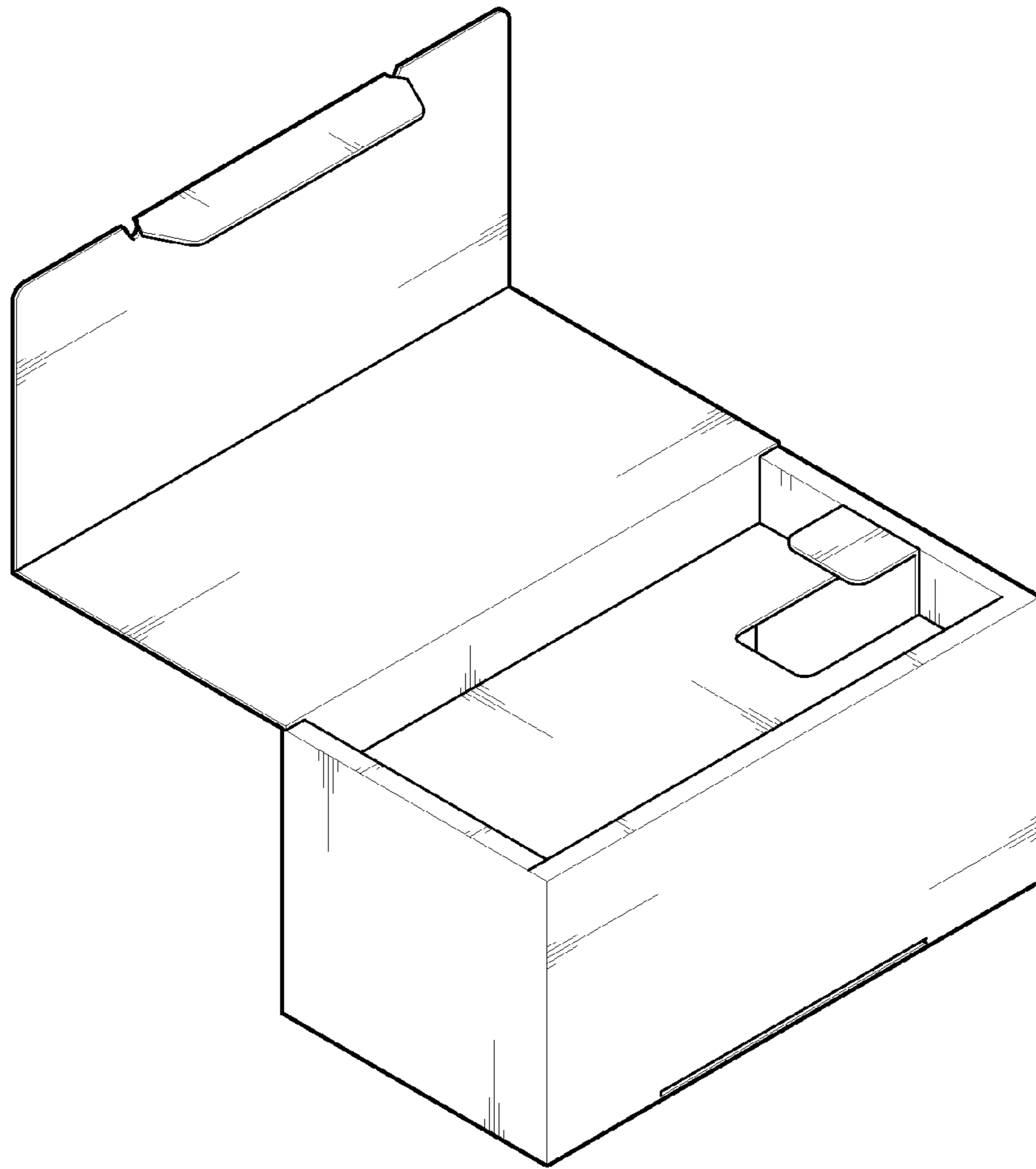


FIG. 2

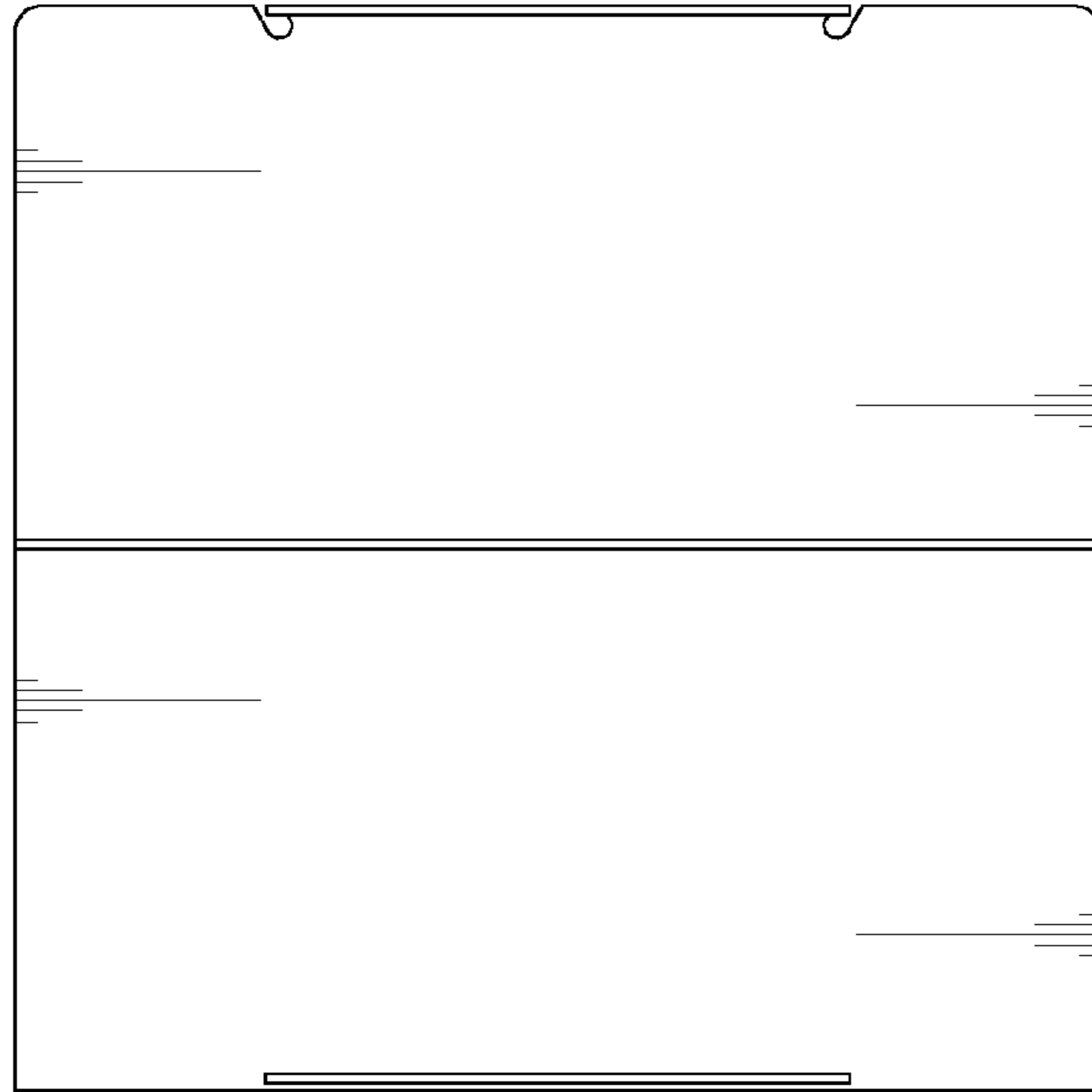


FIG. 3

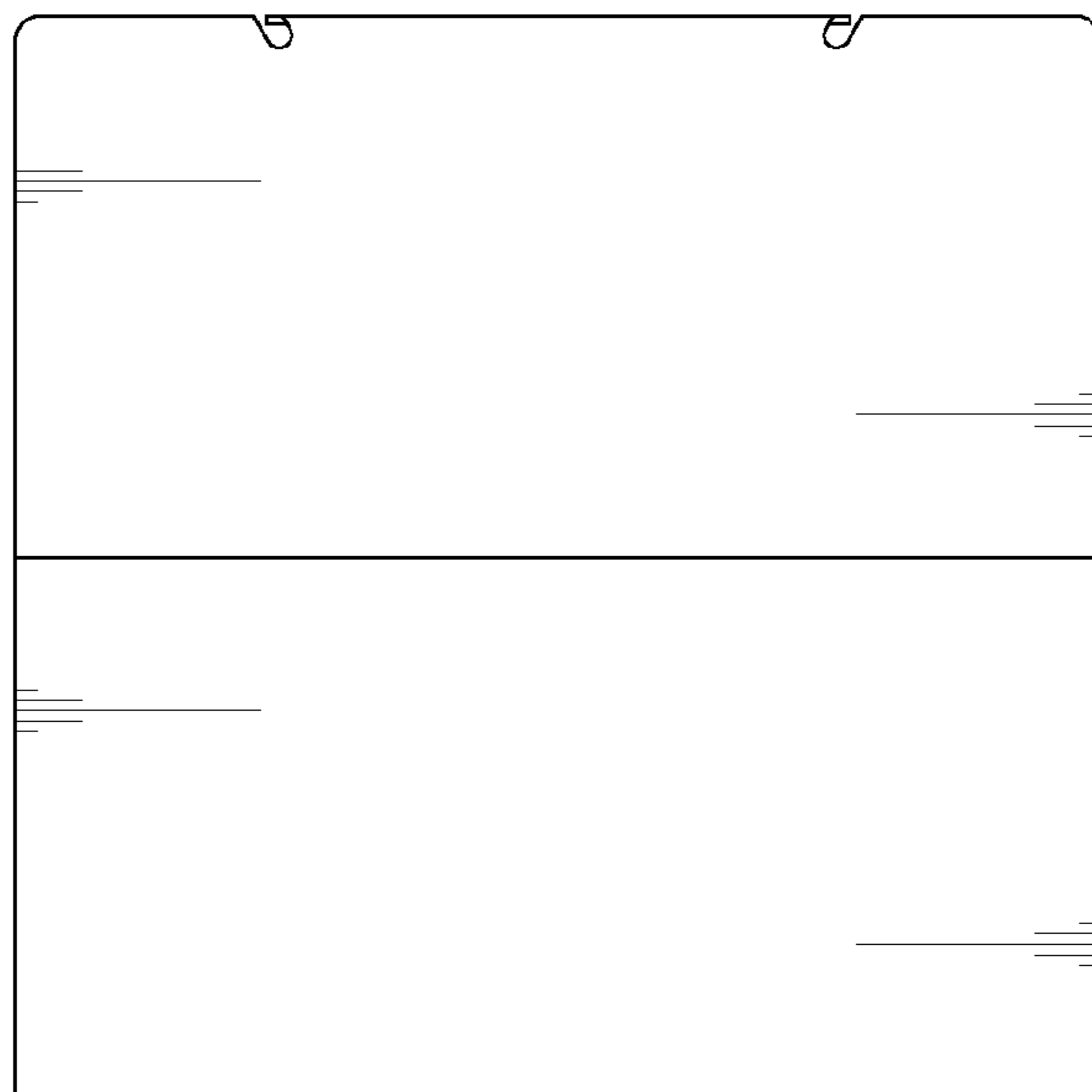


FIG. 4

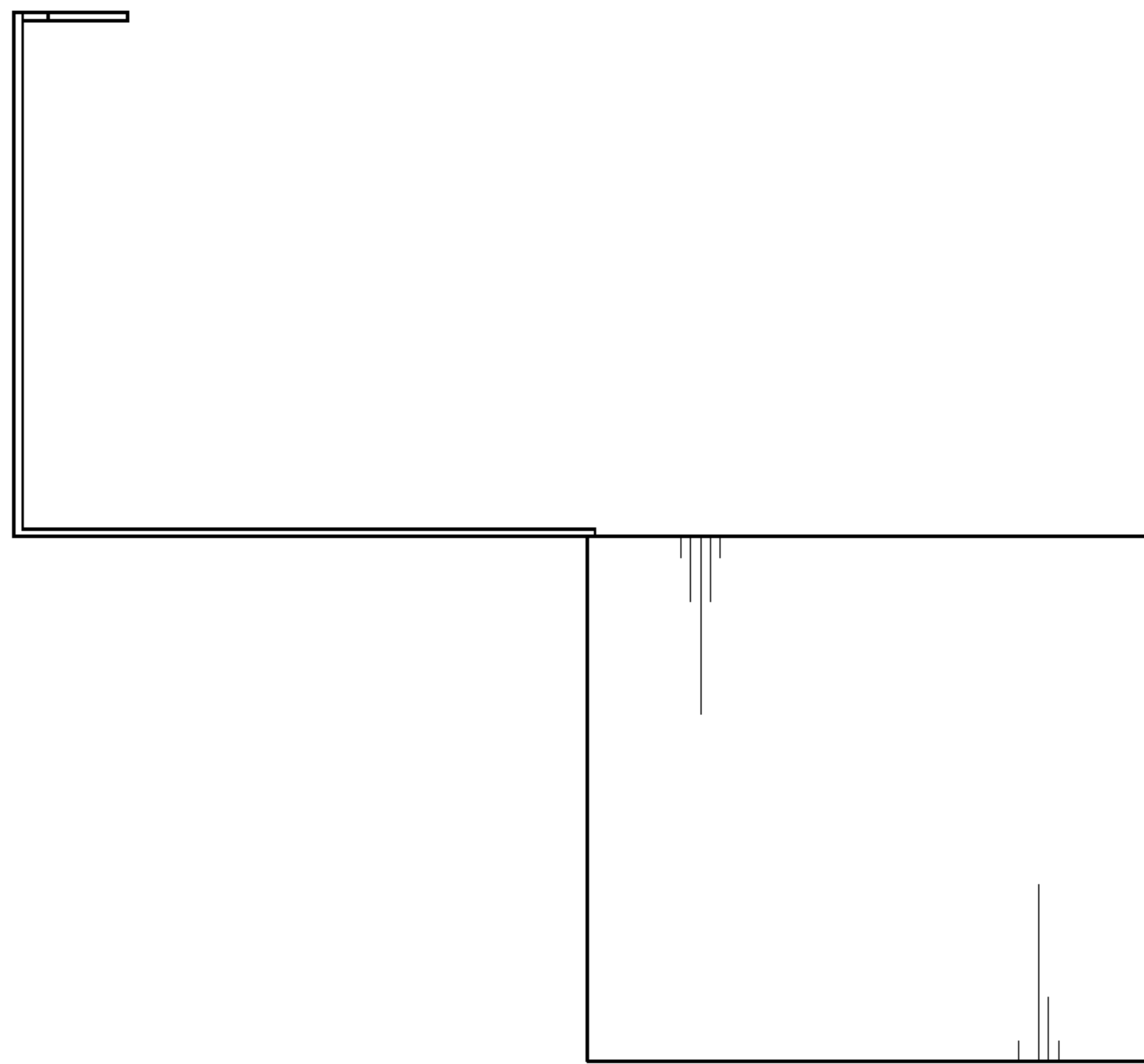


FIG. 5

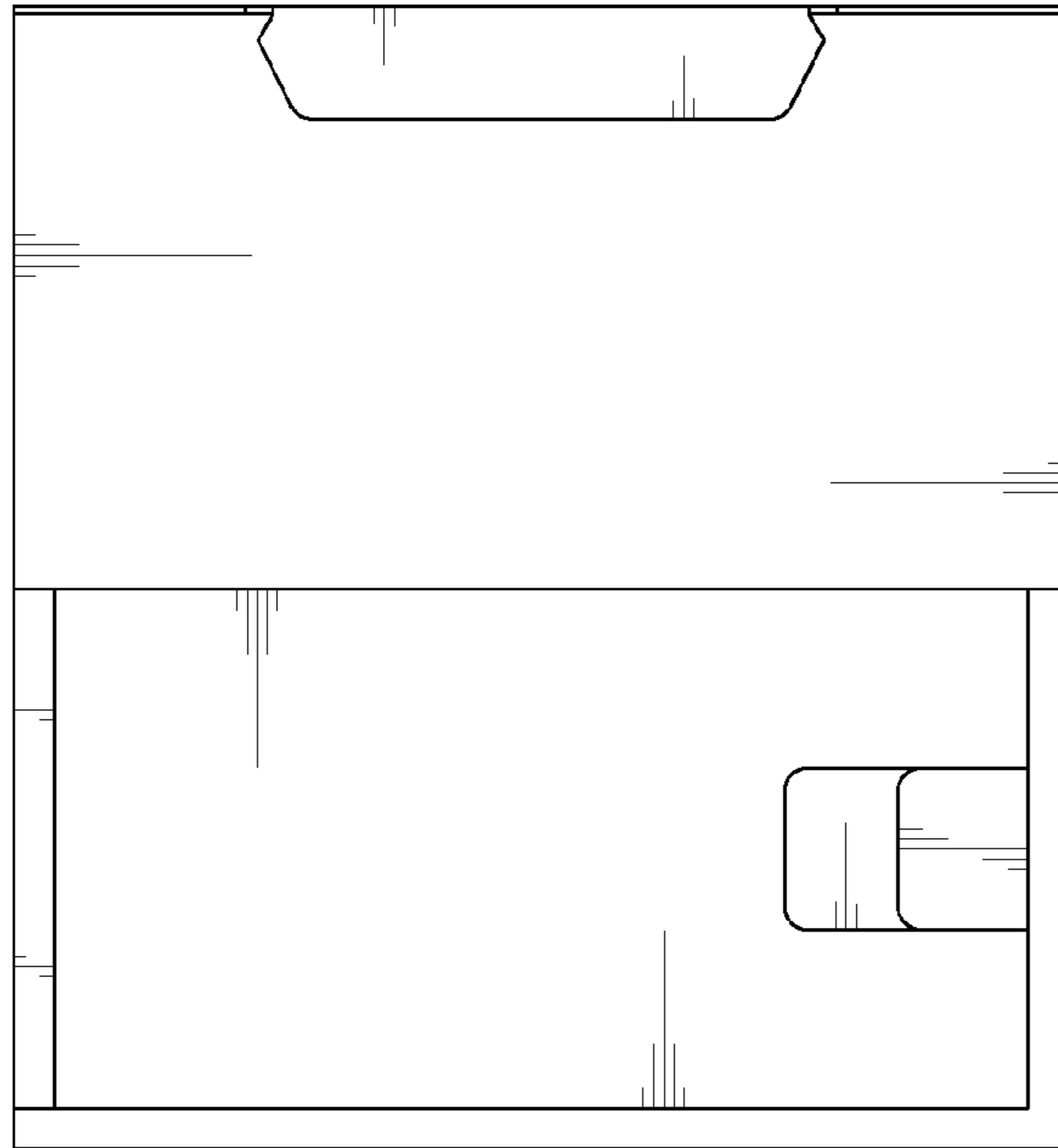


FIG. 6

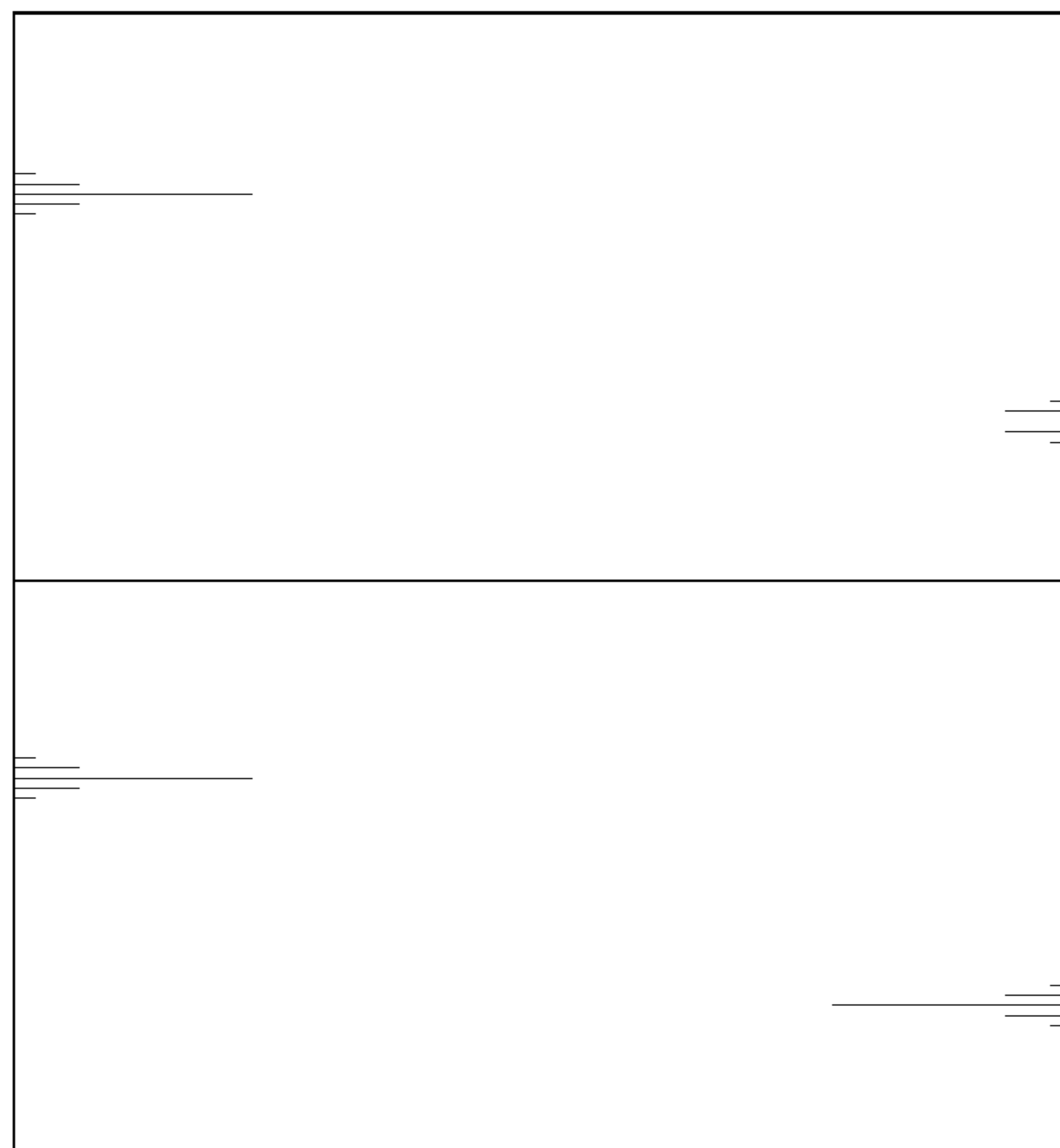


FIG. 7

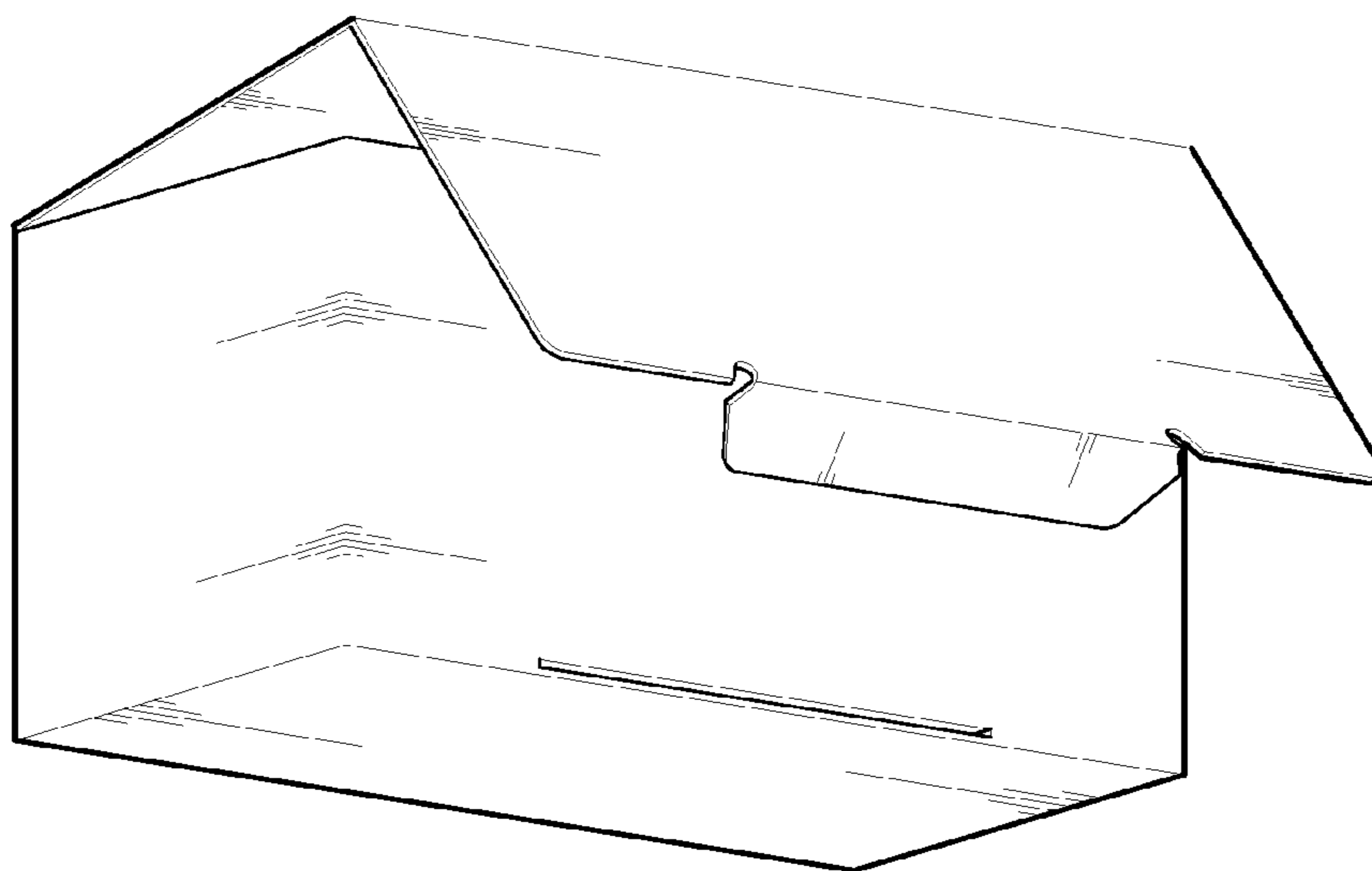


FIG. 8

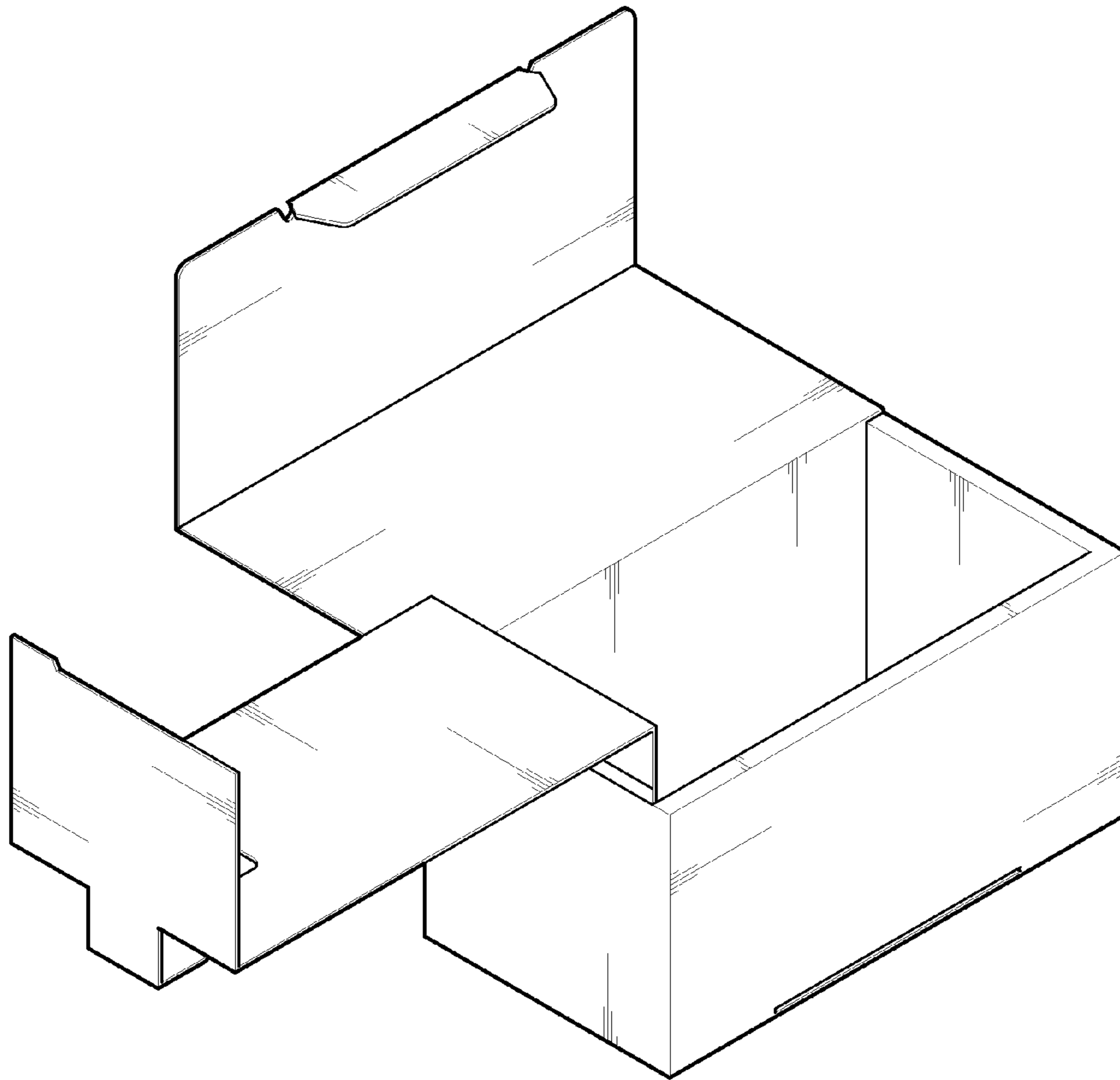


FIG. 9

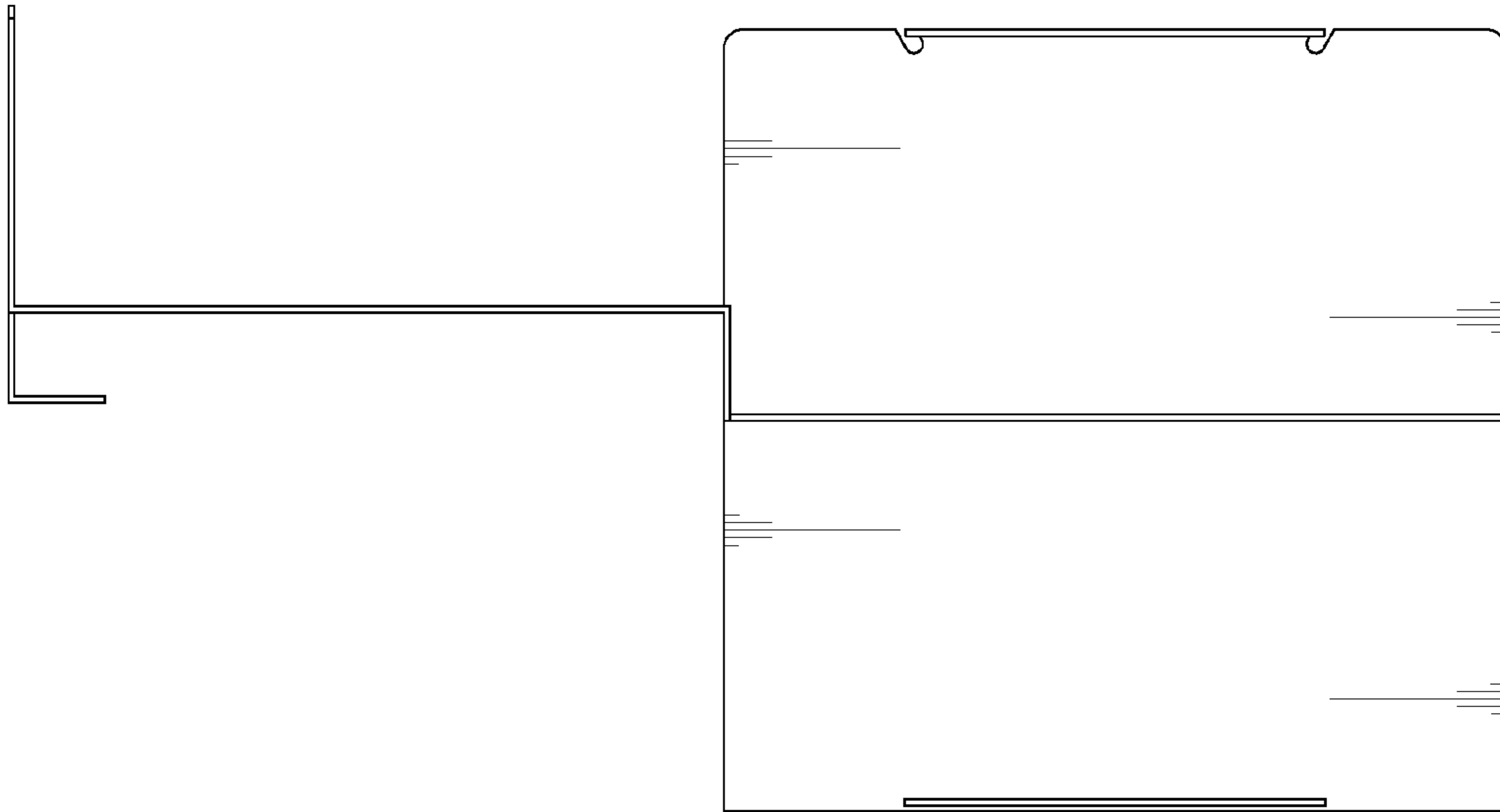


FIG. 10

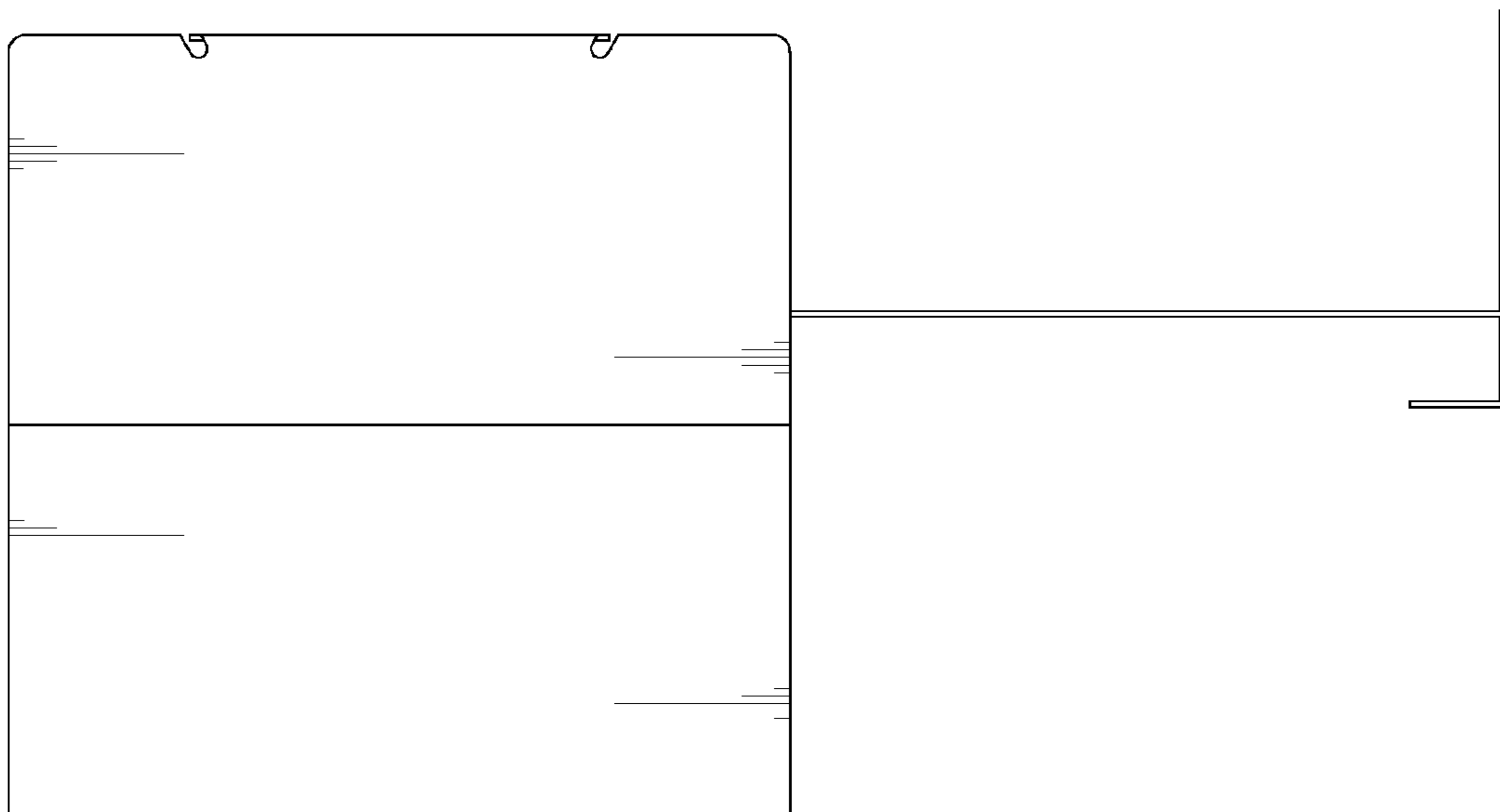


FIG. 11



FIG. 12

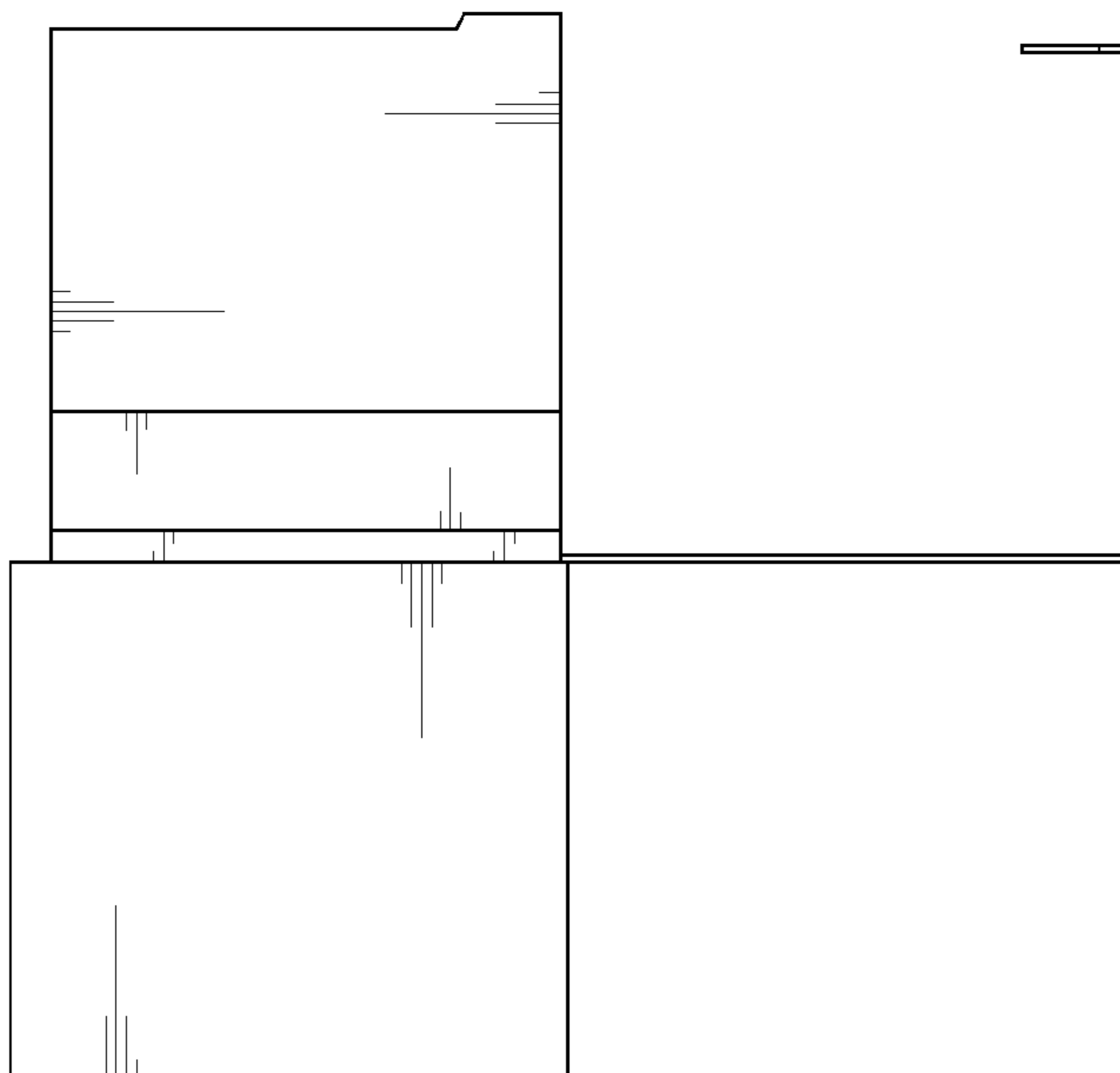


FIG. 13

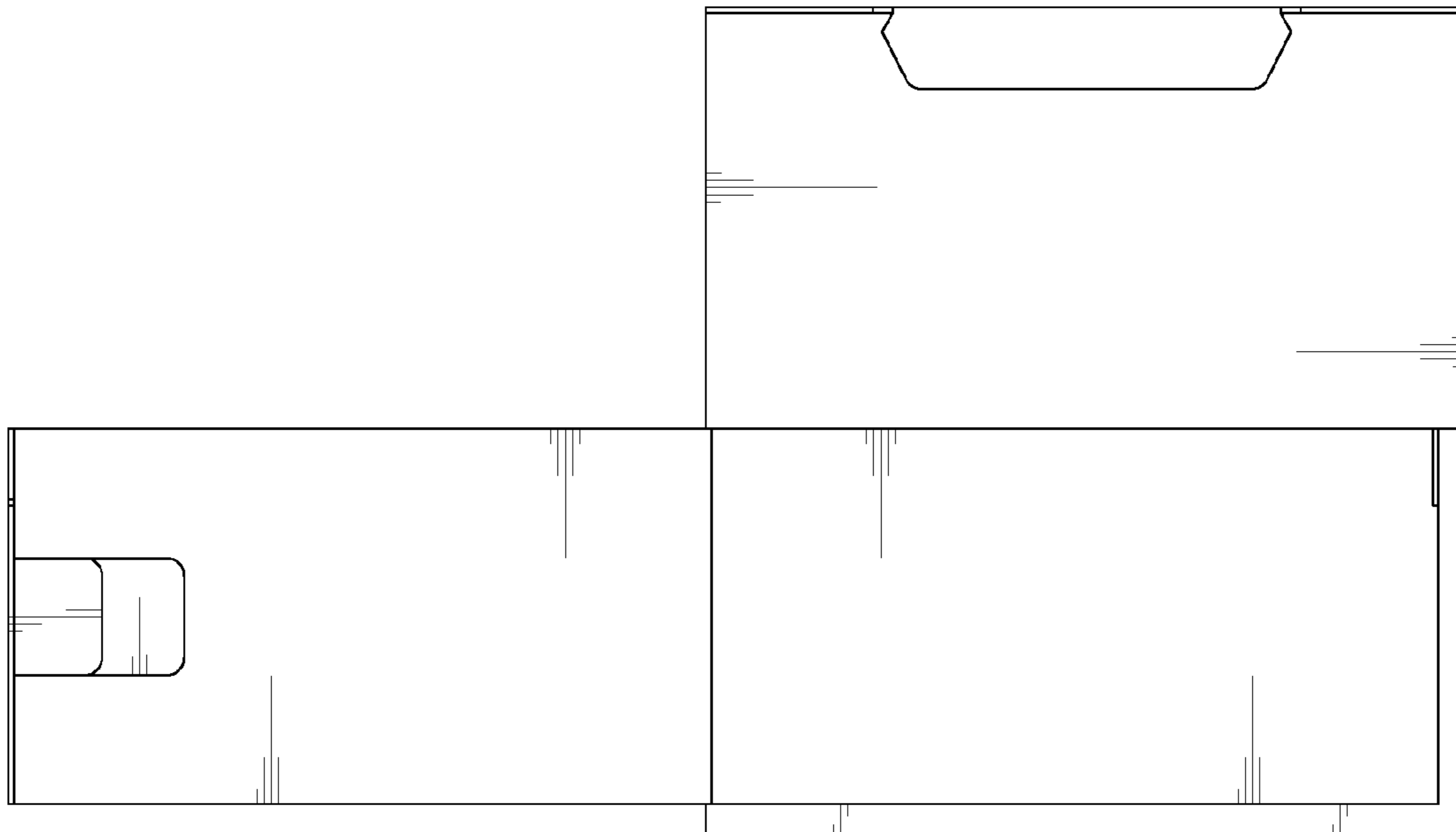


FIG. 14

