



US00D687290S

(12) **United States Design Patent**
Paik et al.

(10) **Patent No.:** **US D687,290 S**

(45) **Date of Patent:** **** Aug. 6, 2013**

(54) **HOOK**

(76) Inventors: **Jisook Paik**, Seoul (KR); **Nan Hee Paik**, Seoul (KR); **Ji Hye Paik**, Seoul (KR); **Ji Won Son**, Seoul (KR)

(**) Term: **14 Years**

(21) Appl. No.: **29/425,772**

(22) Filed: **Jun. 27, 2012**

(30) **Foreign Application Priority Data**

May 31, 2012 (KR) 30-2012-0026850

(51) **LOC (9) Cl.** **08-05**

(52) **U.S. Cl.**
USPC **D8/367**

(58) **Field of Classification Search**
USPC .. D8/356, 367, 354, 349, 394, 373; D24/128;
D25/99; 24/455; 248/62, 63, 65, 74.1, 74.2,
248/75, 313, 316.1, 229.26; D11/218
See application file for complete search history.

(56) **References Cited**

U.S. PATENT DOCUMENTS

D5,634 S * 3/1872 Wunder D8/363
D439,143 S * 3/2001 Goodman et al. D8/372
D474,396 S * 5/2003 Tisbo et al. D8/356

D564,243 S * 3/2008 Zhang D6/323
D614,020 S * 4/2010 Biagi et al. D8/367
D629,674 S * 12/2010 Goodman et al. D8/367
D629,675 S * 12/2010 Goodman et al. D8/367
D648,209 S * 11/2011 Goodman et al. D8/367
D664,424 S * 7/2012 Cittadino et al. D8/367
D676,736 S * 2/2013 Goldberg D8/367

* cited by examiner

Primary Examiner — Cynthia Underwood

(74) *Attorney, Agent, or Firm* — Novick, Kim & Lee, PLLC;
Jae Youn Kim

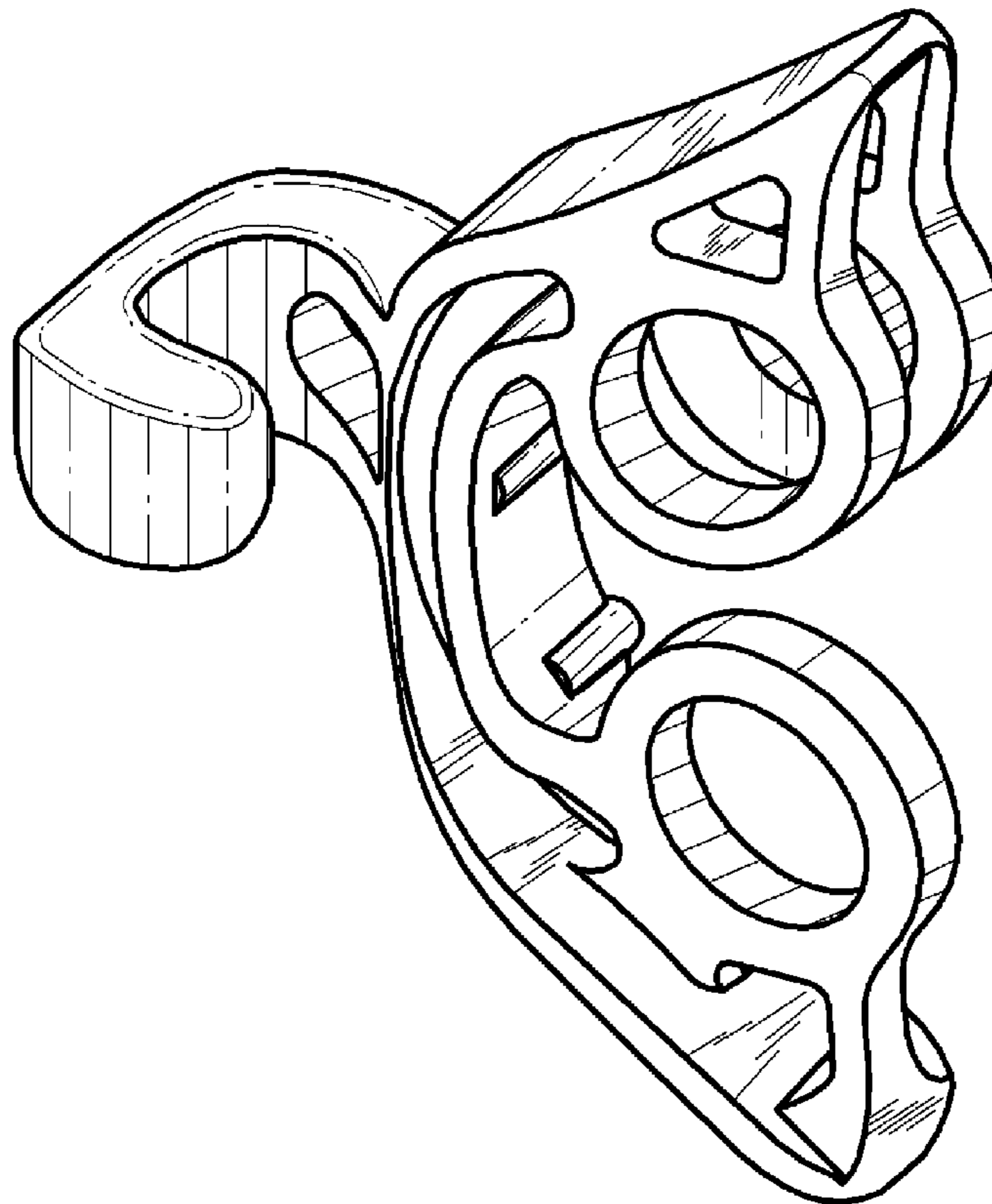
(57) **CLAIM**

We claim, the ornamental design for a hook, as shown and described.

DESCRIPTION

FIG. 1 is a perspective view of a hook, showing my new design;
FIG. 2 is a front elevational view thereof;
FIG. 3 is a rear elevational view thereof;
FIG. 4 is a left side elevational view thereof;
FIG. 5 is a right side elevational view thereof;
FIG. 6 is a top plan view thereof;
FIG. 7 is a bottom plan view thereof; and,
FIG. 8 is a sectional view thereof taken along line 8-8 in FIG. 2.

1 Claim, 6 Drawing Sheets



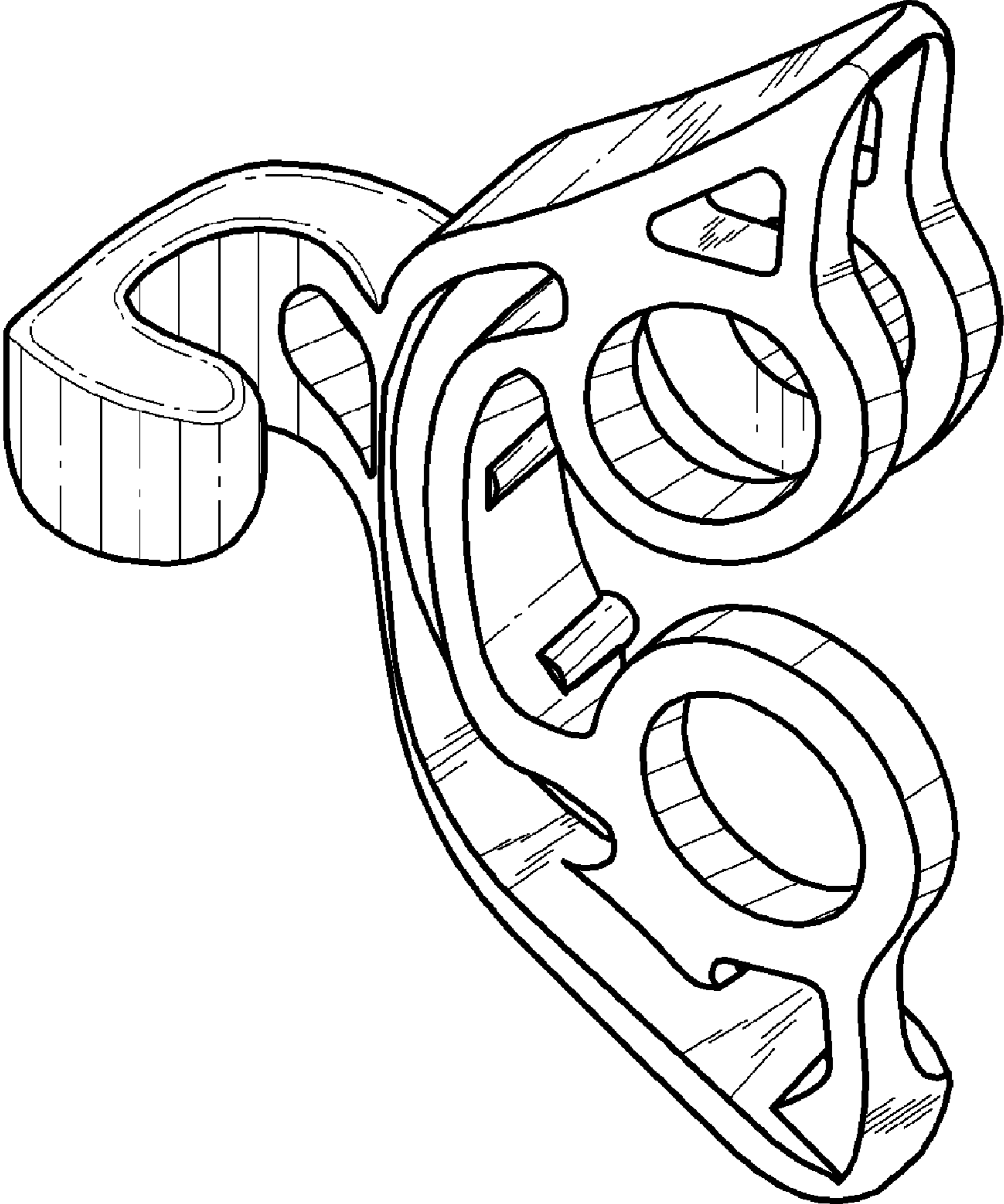


FIG.1

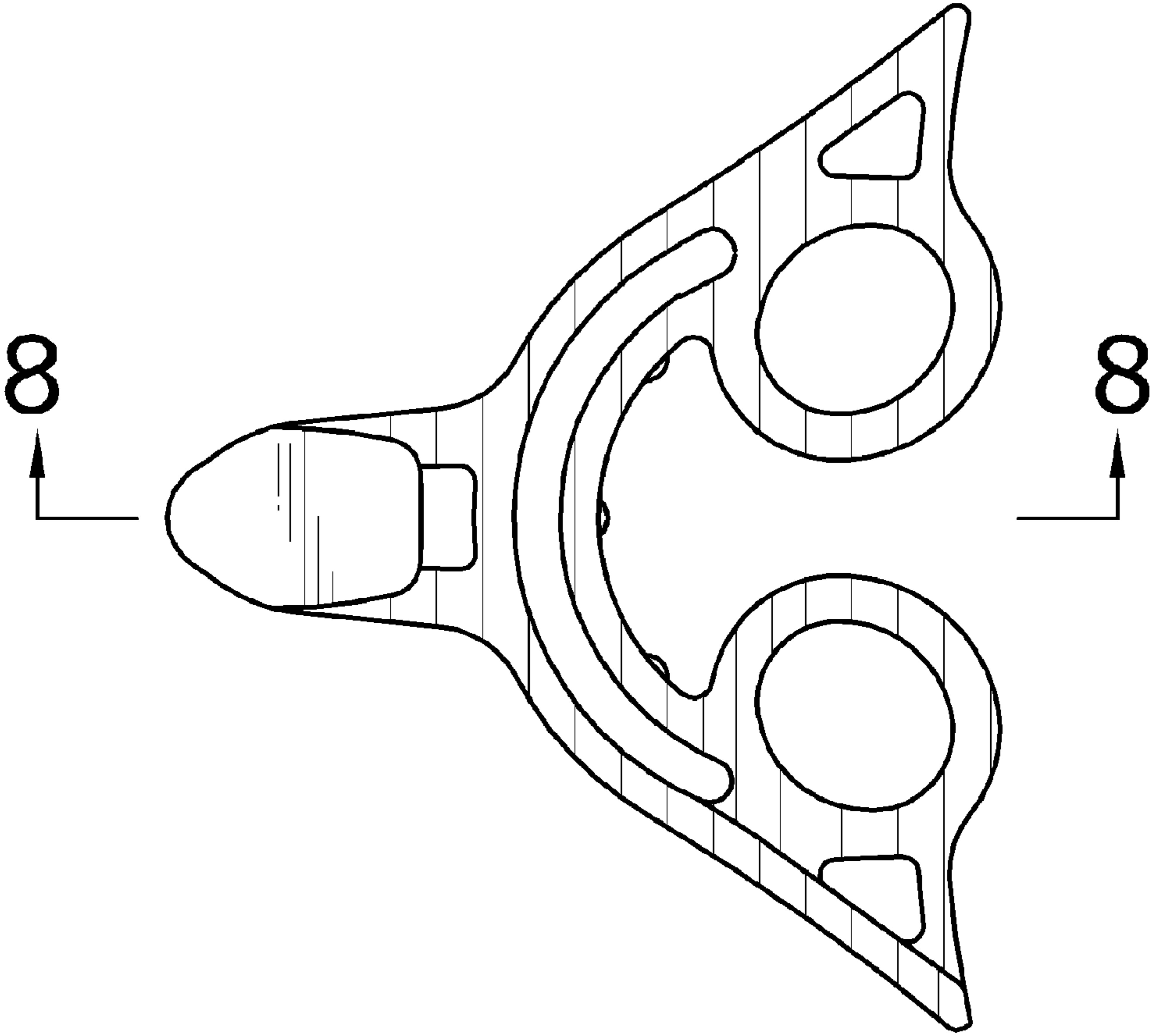


FIG.2

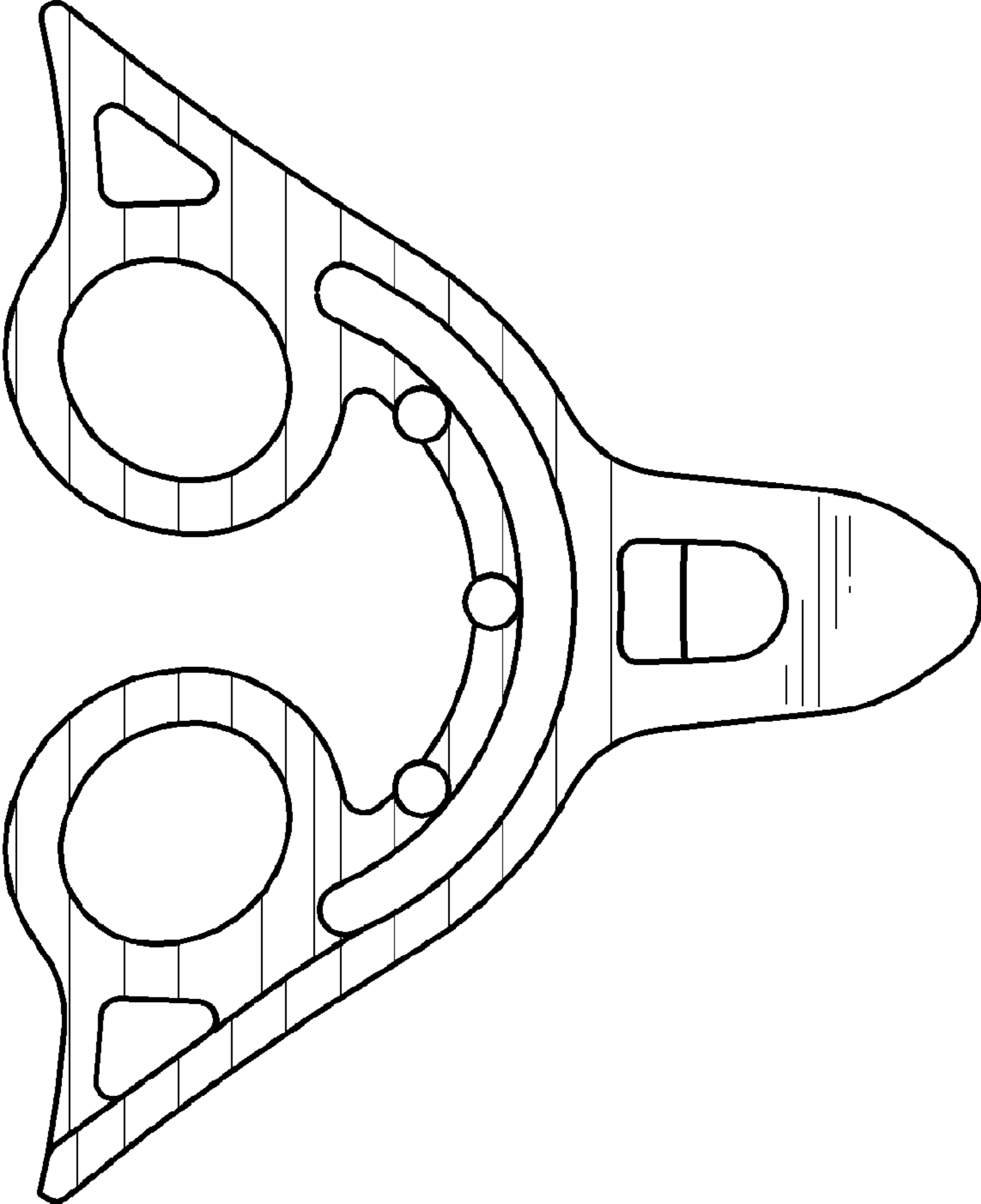


FIG.3

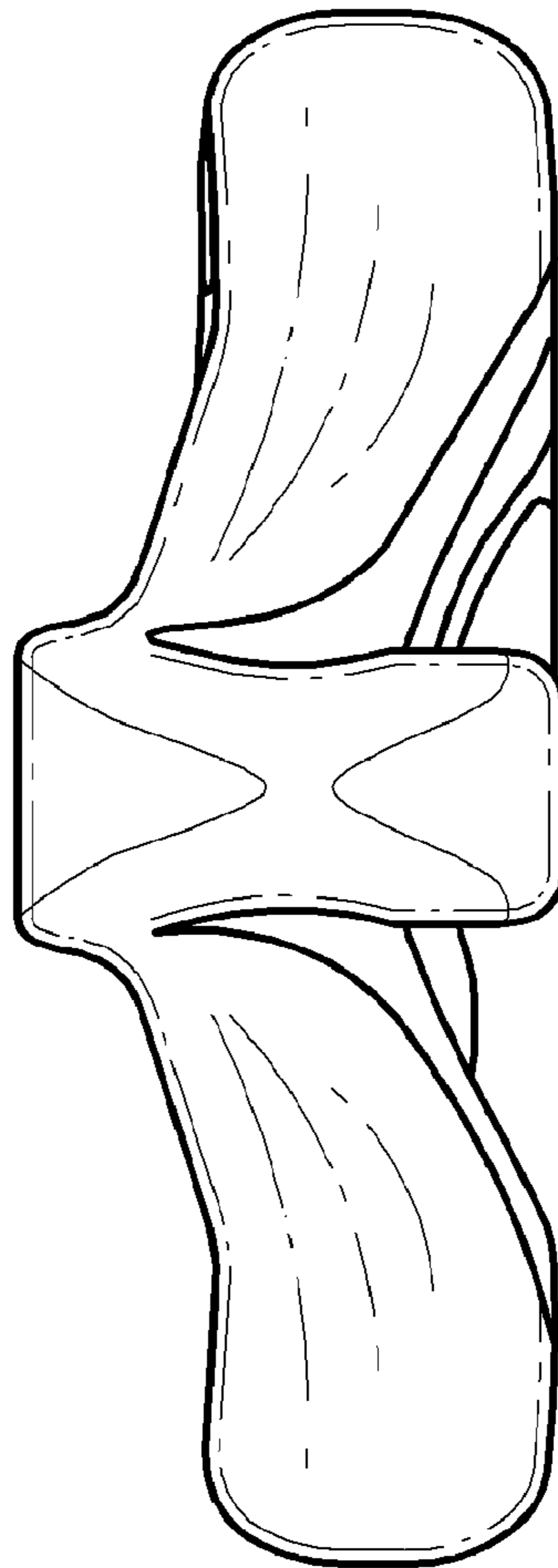


FIG.4

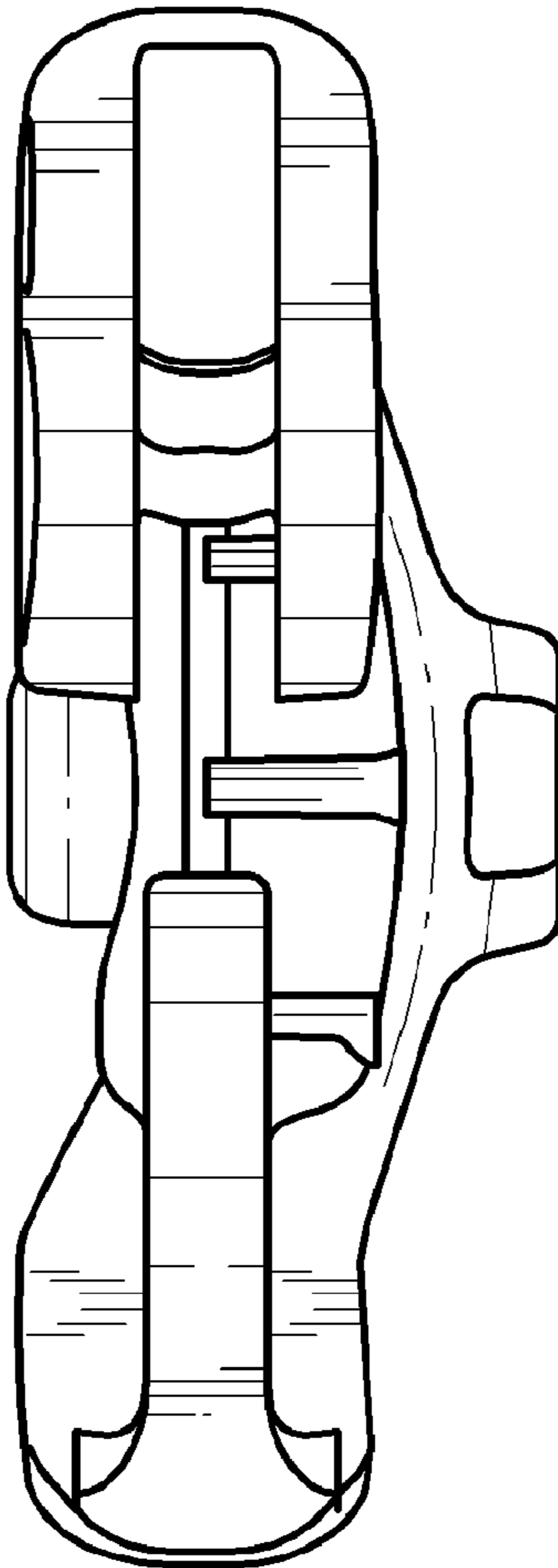


FIG.5

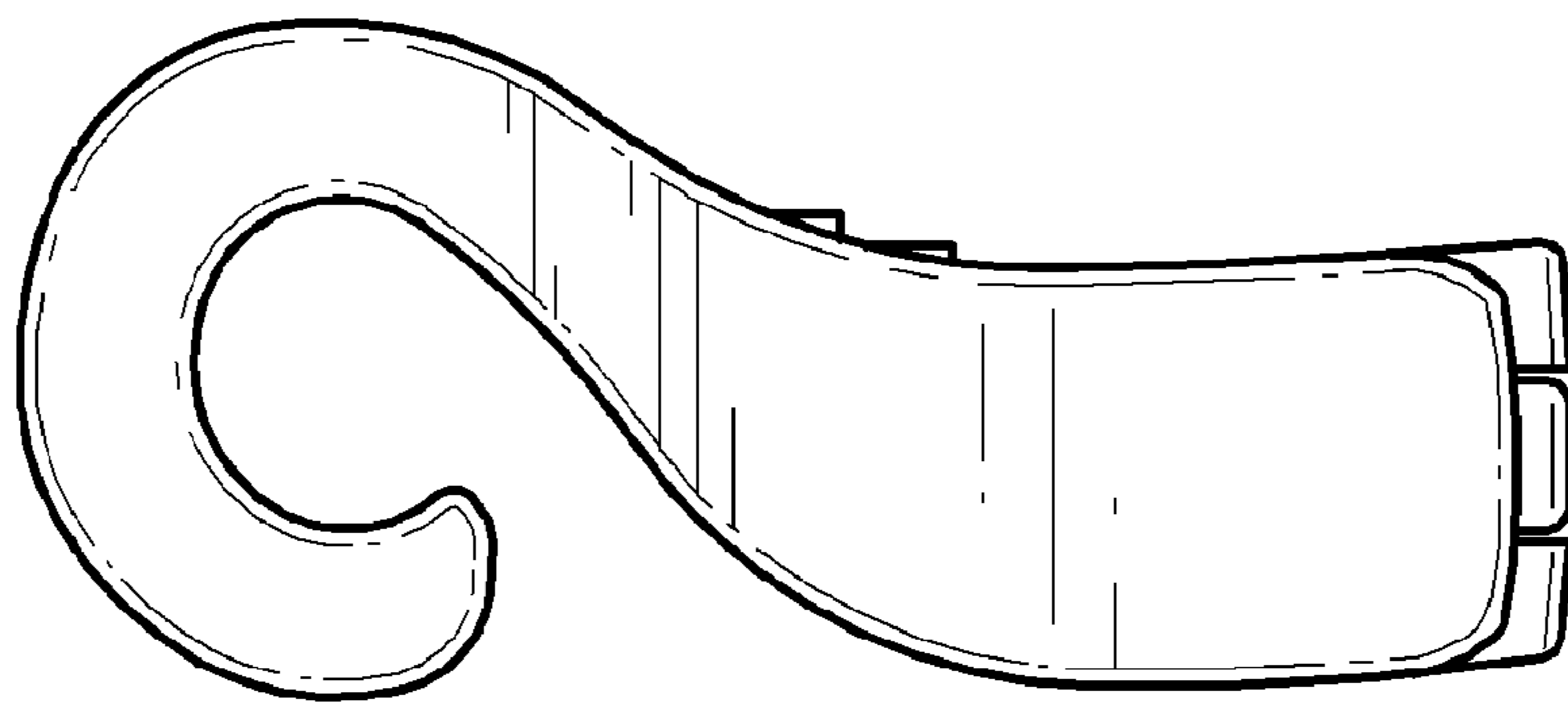


FIG.6

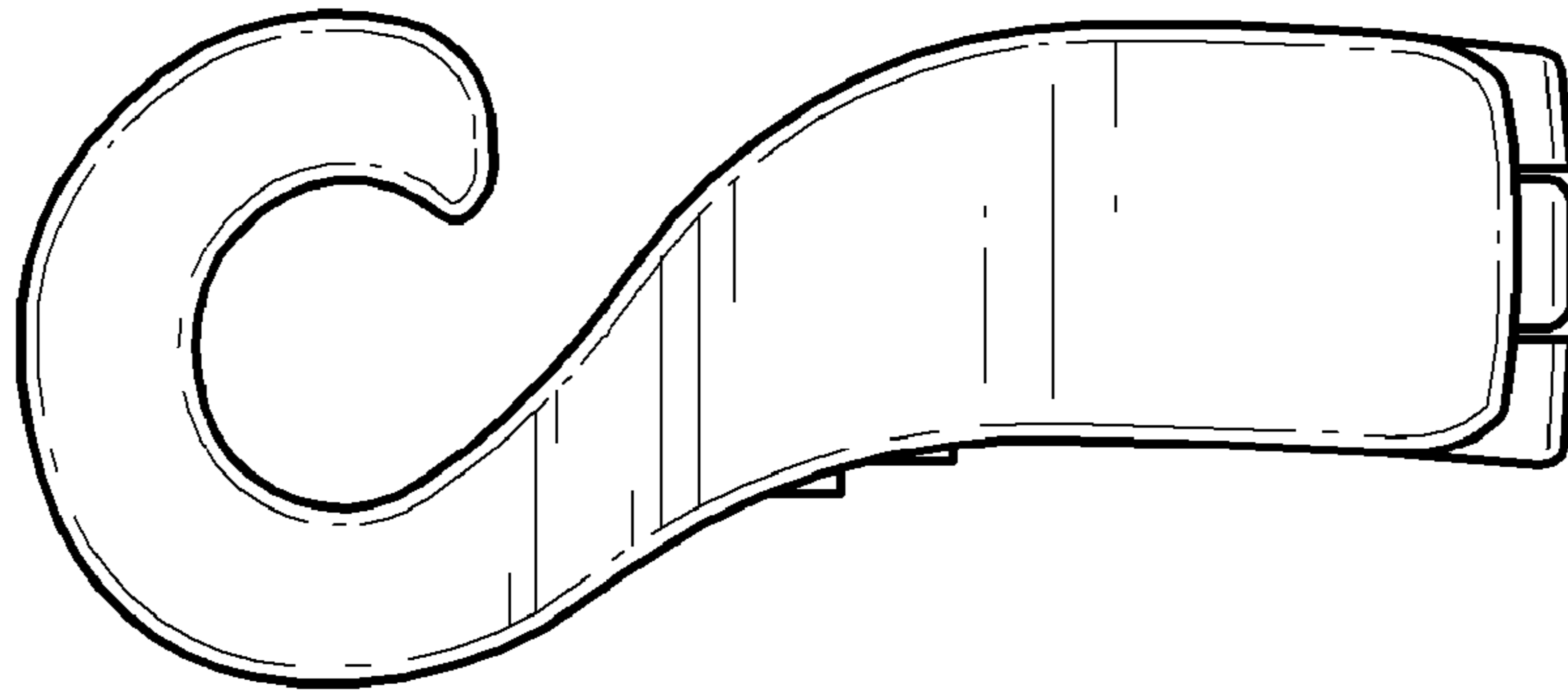


FIG. 7

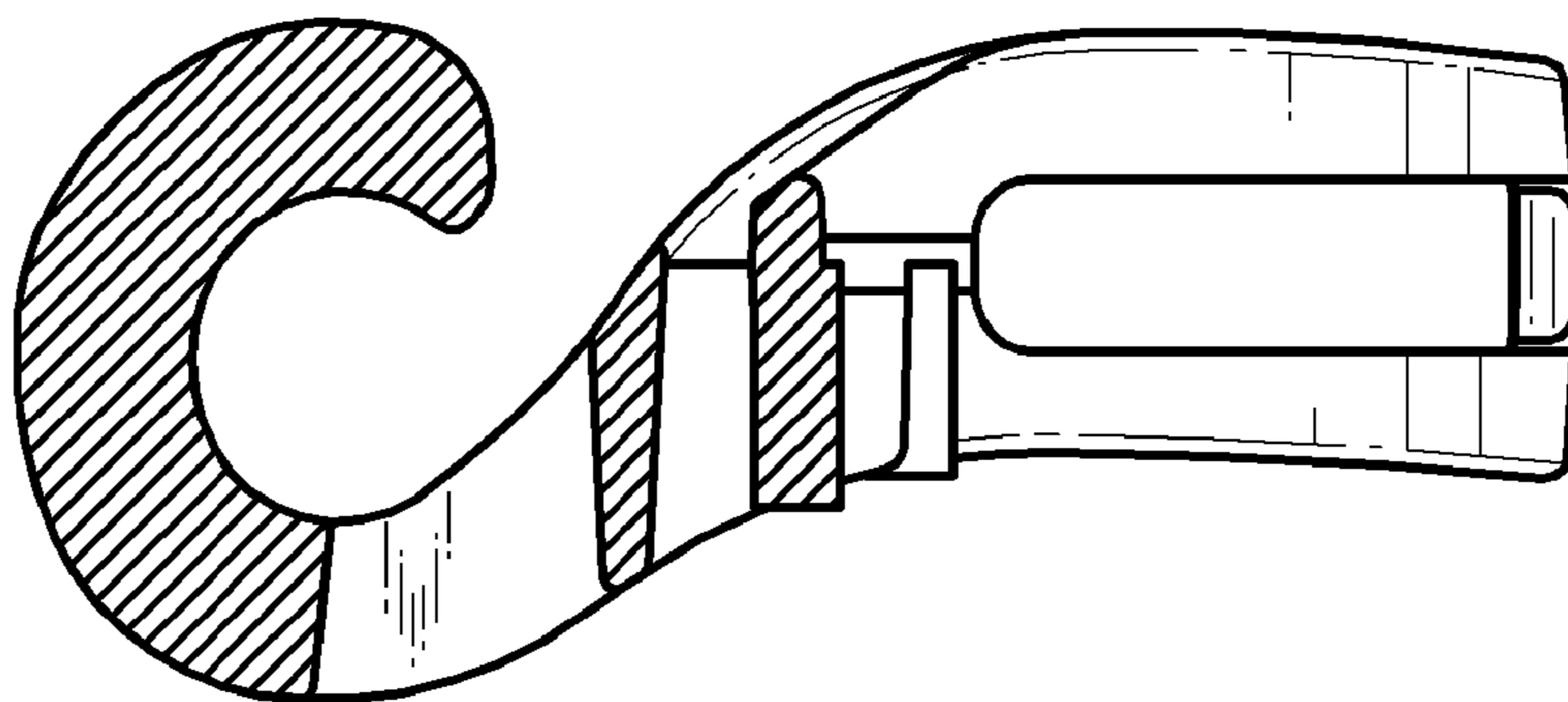


FIG. 8