



US00D687289S

(12) **United States Design Patent**
Griffith

(10) **Patent No.:** **US D687,289 S**

(45) **Date of Patent:** **** Aug. 6, 2013**

(54) **SADDLE ROPE HOLDER**

(71) Applicant: **Jason Griffith**, Portales, NM (US)

(72) Inventor: **Jason Griffith**, Portales, NM (US)

(**) Term: **14 Years**

(21) Appl. No.: **29/435,054**

(22) Filed: **Oct. 18, 2012**

(51) **LOC (9) Cl.** **08-05**

(52) **U.S. Cl.**
USPC **D8/356**

(58) **Field of Classification Search**
USPC D8/356, 367, 354, 349, 394; D24/128;
D25/99; 24/455; 248/62, 63, 65, 74.1, 74.2,
248/75, 313, 316.1, 229.26
See application file for complete search history.

(56) **References Cited**

U.S. PATENT DOCUMENTS

D52,490 S	9/1918	Phillips	
D154,992 S	8/1949	Crain	
D219,704 S	1/1971	Theodore, Jr.	
D255,502 S	6/1980	Anderson	
5,075,932 A	12/1991	Hunt	
D330,505 S	10/1992	Doyle	
D342,012 S	12/1993	Doyle	
6,345,418 B1 *	2/2002	Bertrand et al.	24/16 R
D459,557 S	6/2002	Rea	
D460,344 S	7/2002	Smith	
6,499,199 B2 *	12/2002	Frazier	24/306
D500,950 S *	1/2005	Kelleghan	D8/356

D561,007 S	2/2008	Kaesler	
D573,415 S *	7/2008	Van Slycke et al.	D7/622
D573,875 S	7/2008	Anderson	
D637,892 S *	5/2011	Barrese	D8/367
D645,336 S *	9/2011	Drazin	D8/367
D659,516 S	5/2012	Schoen	
D668,940 S *	10/2012	Taurins	D8/370
D677,559 S *	3/2013	Taurins	D8/367
2011/0219534 A1 *	9/2011	Hu et al.	4/610

* cited by examiner

Primary Examiner — Cynthia Underwood

(74) *Attorney, Agent, or Firm* — QuickPatents; Kevin Prince

(57) **CLAIM**

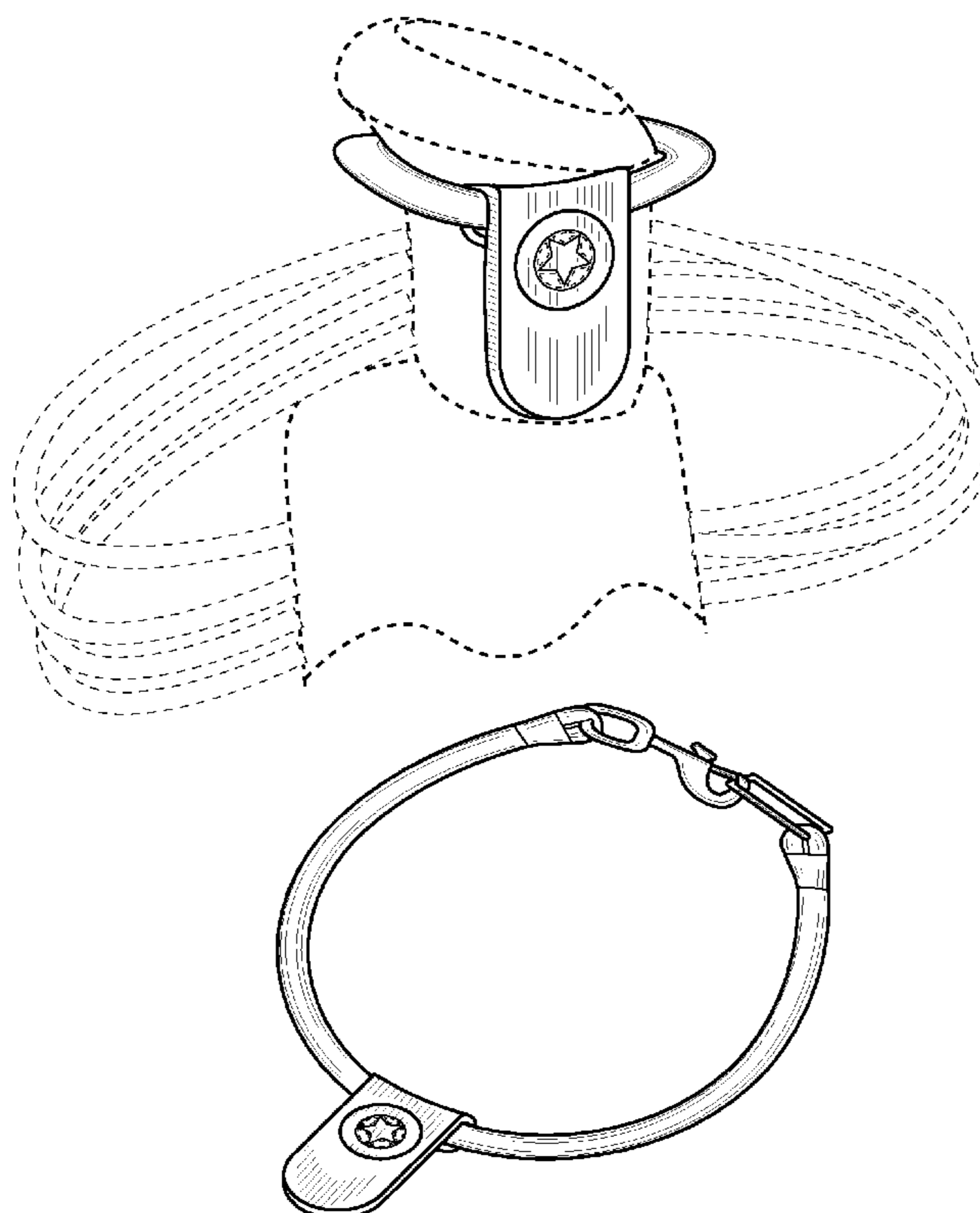
I claim the ornamental design for a saddle rope holder, as shown and described.

DESCRIPTION

FIG. 1 is a perspective view of a saddle rope holder, showing my new design shown in a position of use;
FIG. 2 is a perspective view shown in a flat configuration;
FIG. 3 is a front elevational view thereof;
FIG. 4 is a rear elevational view thereof;
FIG. 5 is a left-side elevational view thereof;
FIG. 6 is a right-side elevational view thereof;
FIG. 7 is a top plan view thereof; and,
FIG. 8 is a bottom plan view thereof.

The broken lines showing a saddle and rope in FIG. 1 depict environmental matter and form no part of the claimed design. The boundary lines next to the star represent the boundary of the claim.

1 Claim, 3 Drawing Sheets



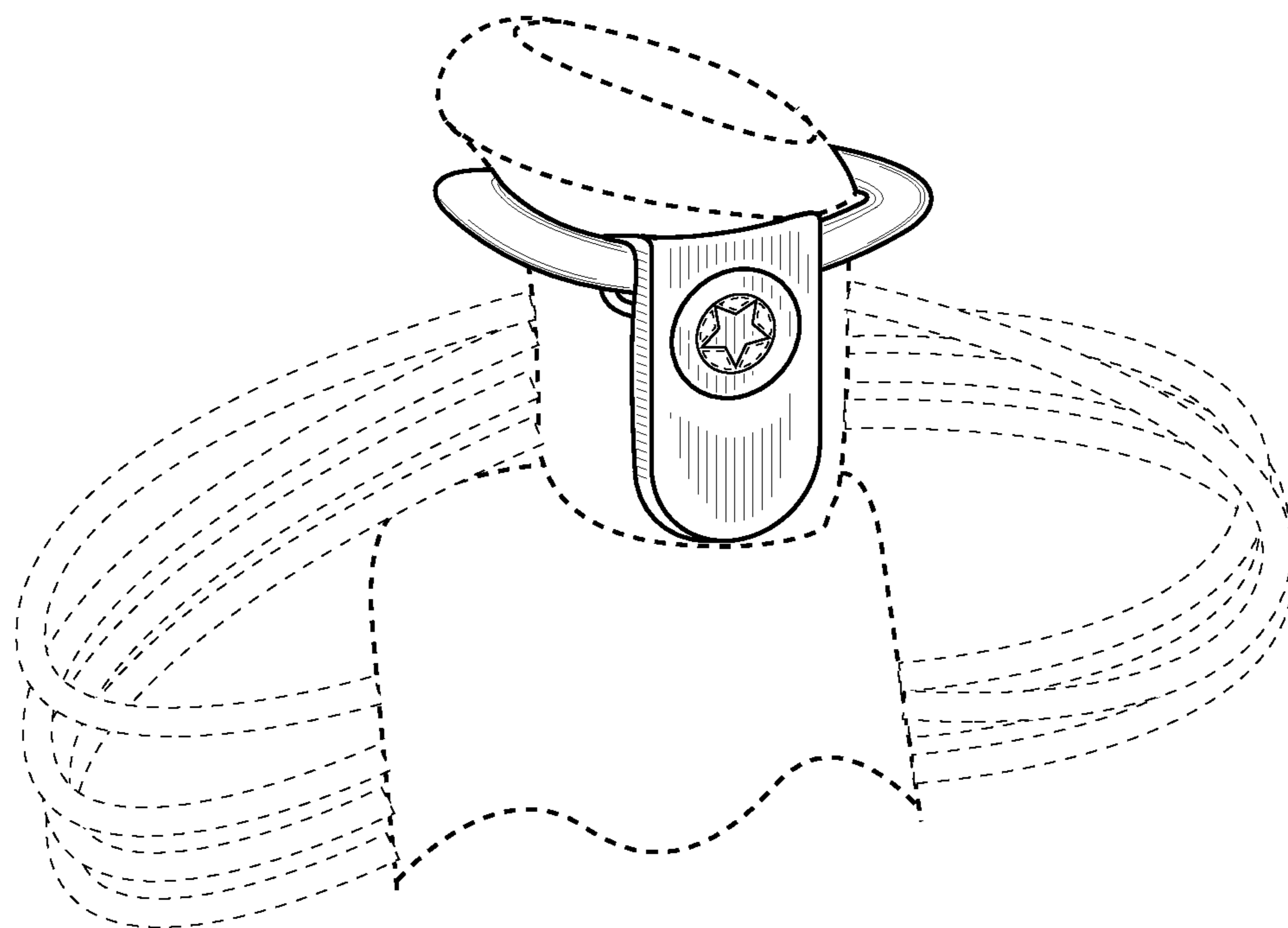


FIG. 1

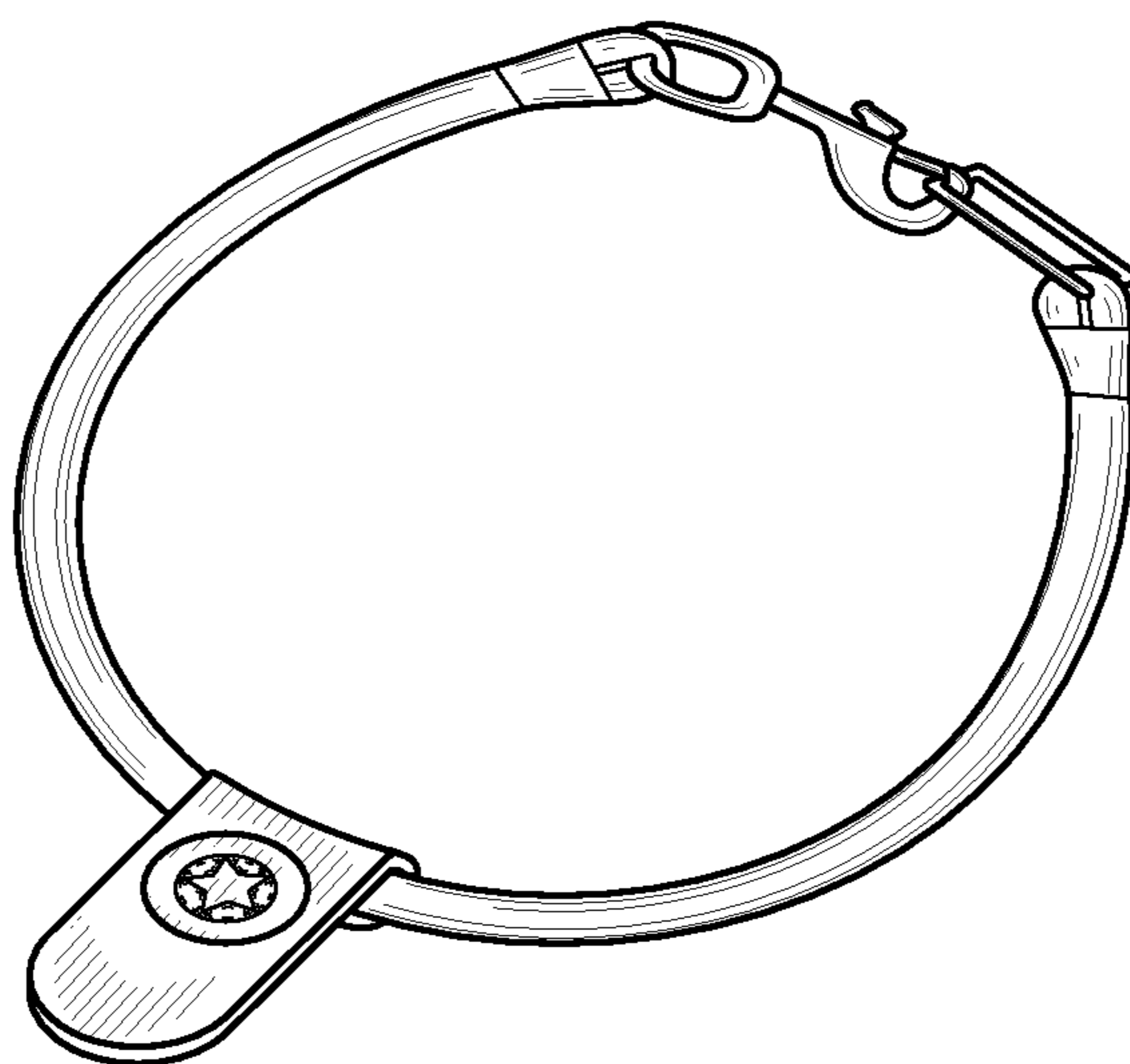


FIG. 2

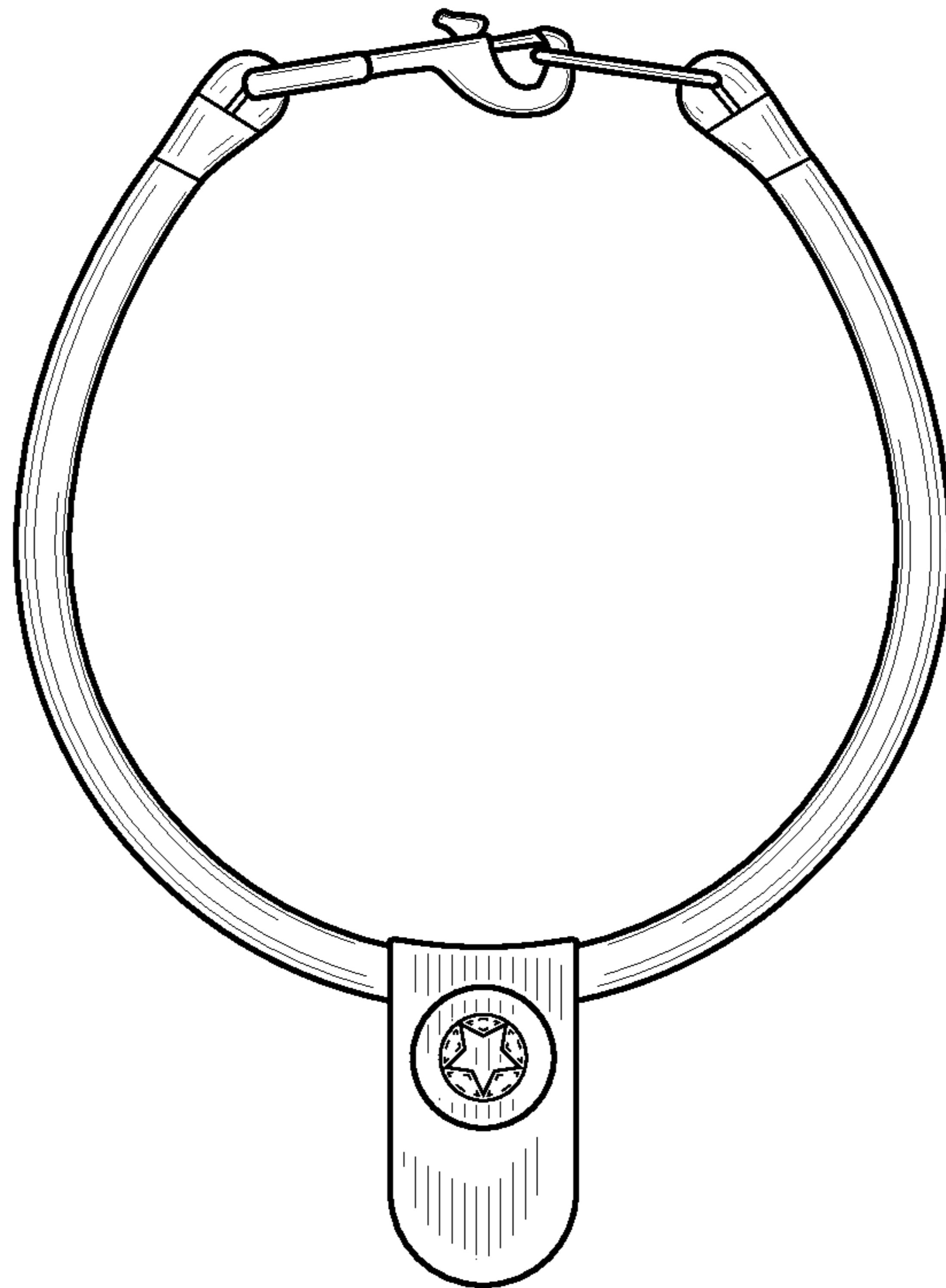


FIG. 3

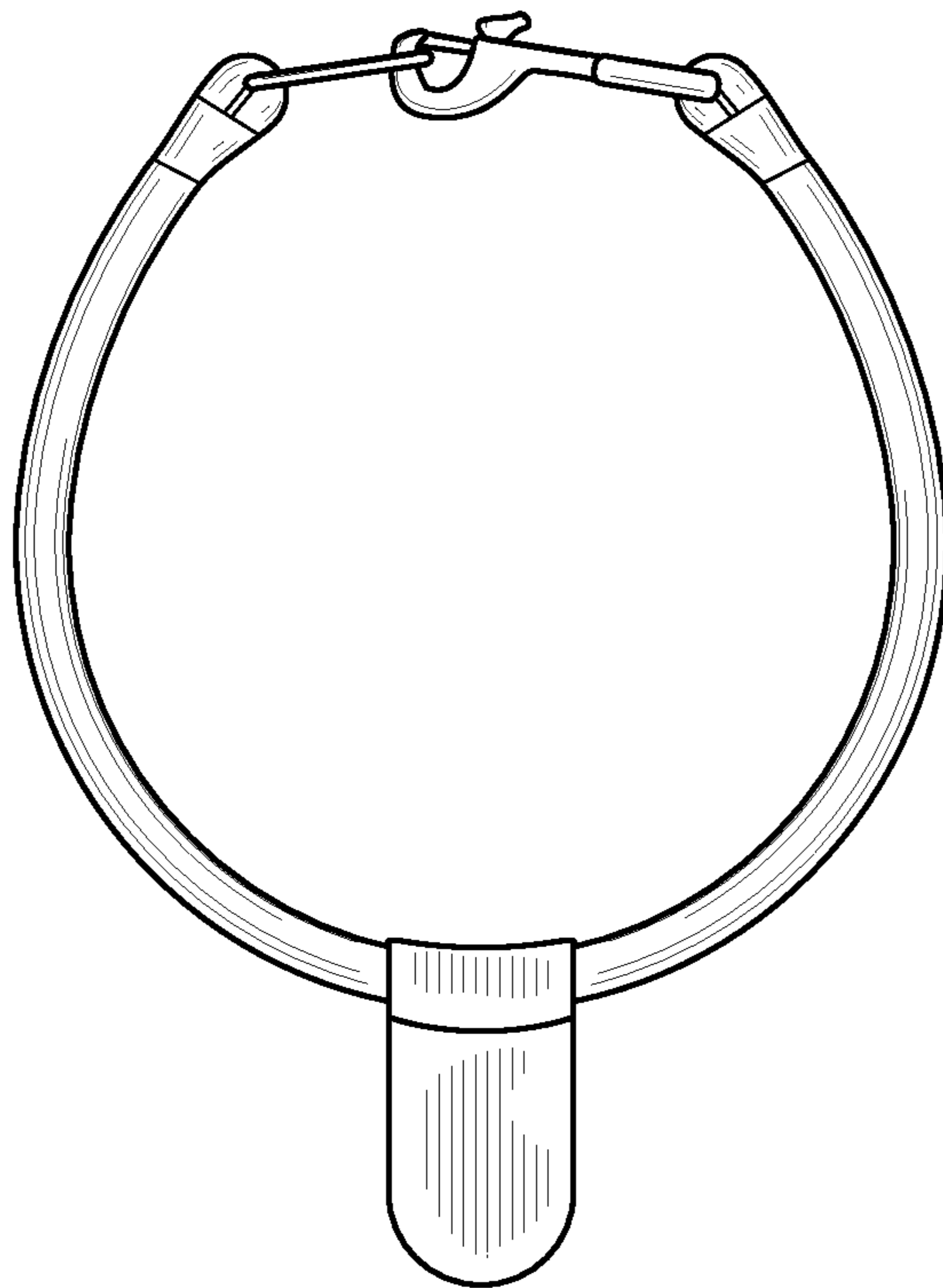


FIG. 4

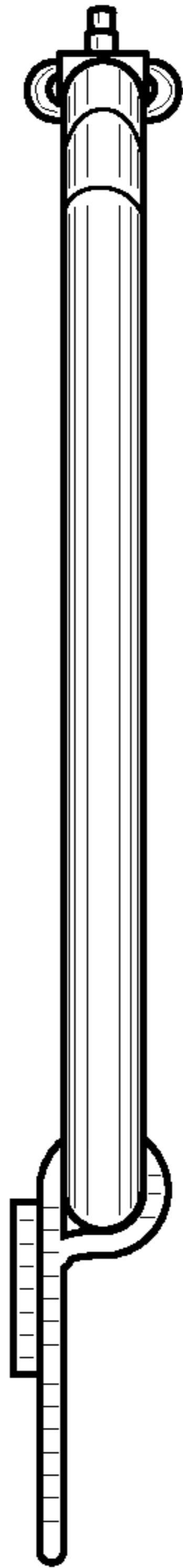


FIG. 5

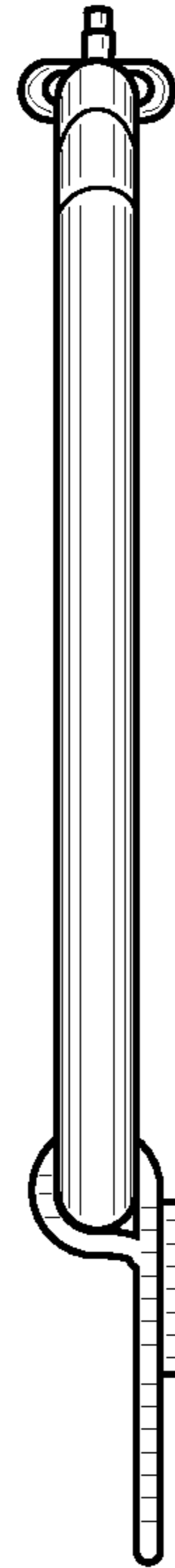


FIG. 6

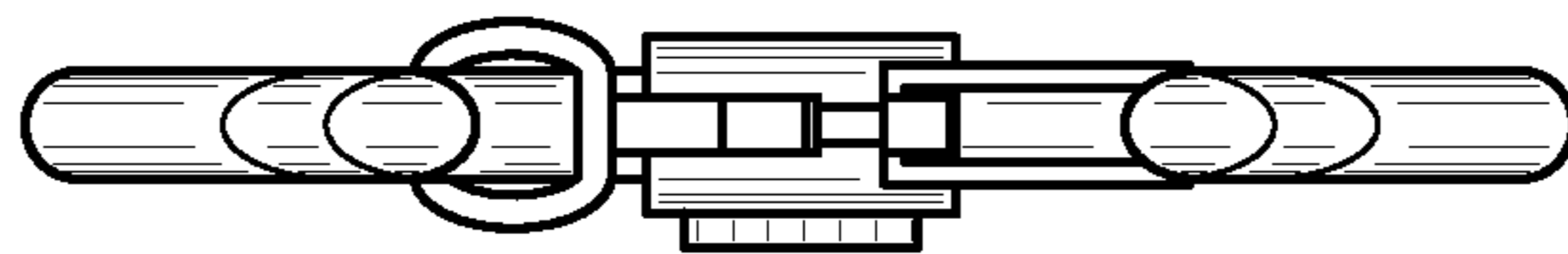


FIG. 7

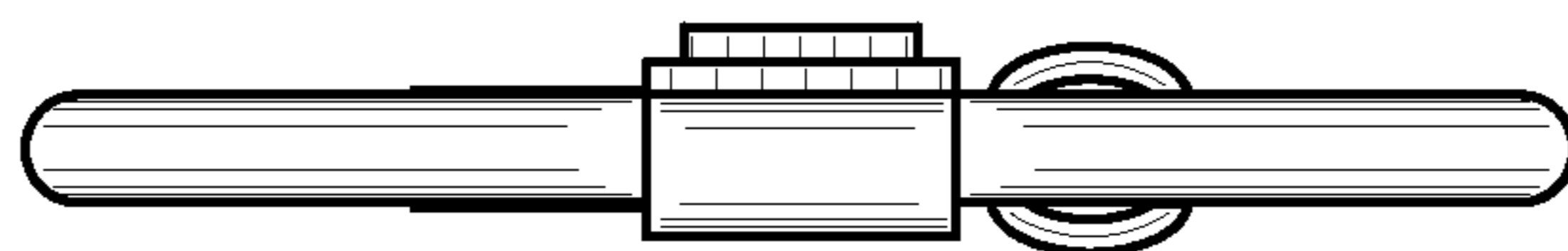


FIG. 8