



US00D687288S

(12) **United States Design Patent**
Lawrence

(10) **Patent No.:** **US D687,288 S**

(45) **Date of Patent:** **** Aug. 6, 2013**

(54) **WINDOW LATCH**

(76) Inventor: **Barry G. Lawrence**, Thomasville, NC
(US)

(**) Term: **14 Years**

(21) Appl. No.: **29/428,657**

(22) Filed: **Aug. 2, 2012**

(51) **LOC (9) Cl.** **08-07**

(52) **U.S. Cl.**
USPC **D8/331**

(58) **Field of Classification Search**
USPC D8/330, 331, 343, 300-303, 313; 70/14,
70/20, 31, 51, 52, 205, 207, 210, 212, 218,
70/224

See application file for complete search history.

(56) **References Cited**

U.S. PATENT DOCUMENTS

D380,957	S	*	7/1997	Evans et al.	D8/337
D418,737	S	*	1/2000	Libby et al.	D8/337
6,634,683	B1	*	10/2003	Brannan	292/241
6,871,886	B2	*	3/2005	Coleman et al.	292/241
6,983,963	B2	*	1/2006	Eslick et al.	292/242

7,000,957	B2	*	2/2006	Lawrence	292/241
7,017,957	B2	*	3/2006	Murphy et al.	292/241
D527,613	S	*	9/2006	Omangi et al.	D8/331
D536,950	S	*	2/2007	Liang et al.	D8/331
D563,764	S	*	3/2008	Hacker	D8/331
D611,798	S	*	3/2010	Le	D8/331

* cited by examiner

Primary Examiner — Prabhakar Deshmukh

(74) *Attorney, Agent, or Firm* — Olive Law Group, PLLC

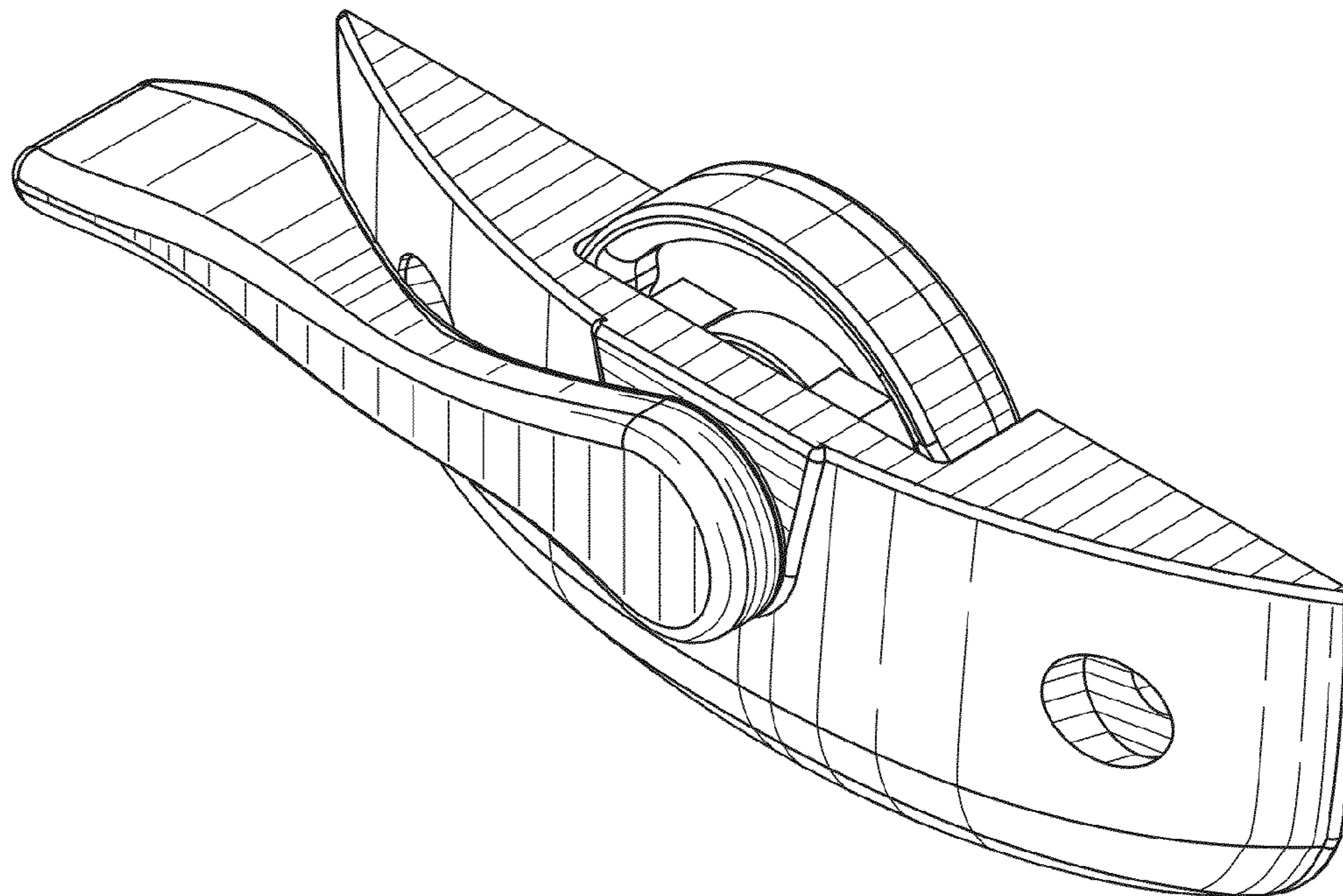
(57) **CLAIM**

I claim the ornamental design for the window latch, as shown and described.

DESCRIPTION

FIG. 1 is a top-facing, perspective view of a window latch;
FIG. 2 is a rear view of a window latch;
FIG. 3 is a front view of a window latch;
FIG. 4 is a right side view of a window latch;
FIG. 5 is a left side view of a window latch;
FIG. 6 is a top view of a window latch;
FIG. 7 is a bottom view of a window latch; and,
FIG. 8 is a bottom-facing, perspective view of a window latch.

1 Claim, 8 Drawing Sheets



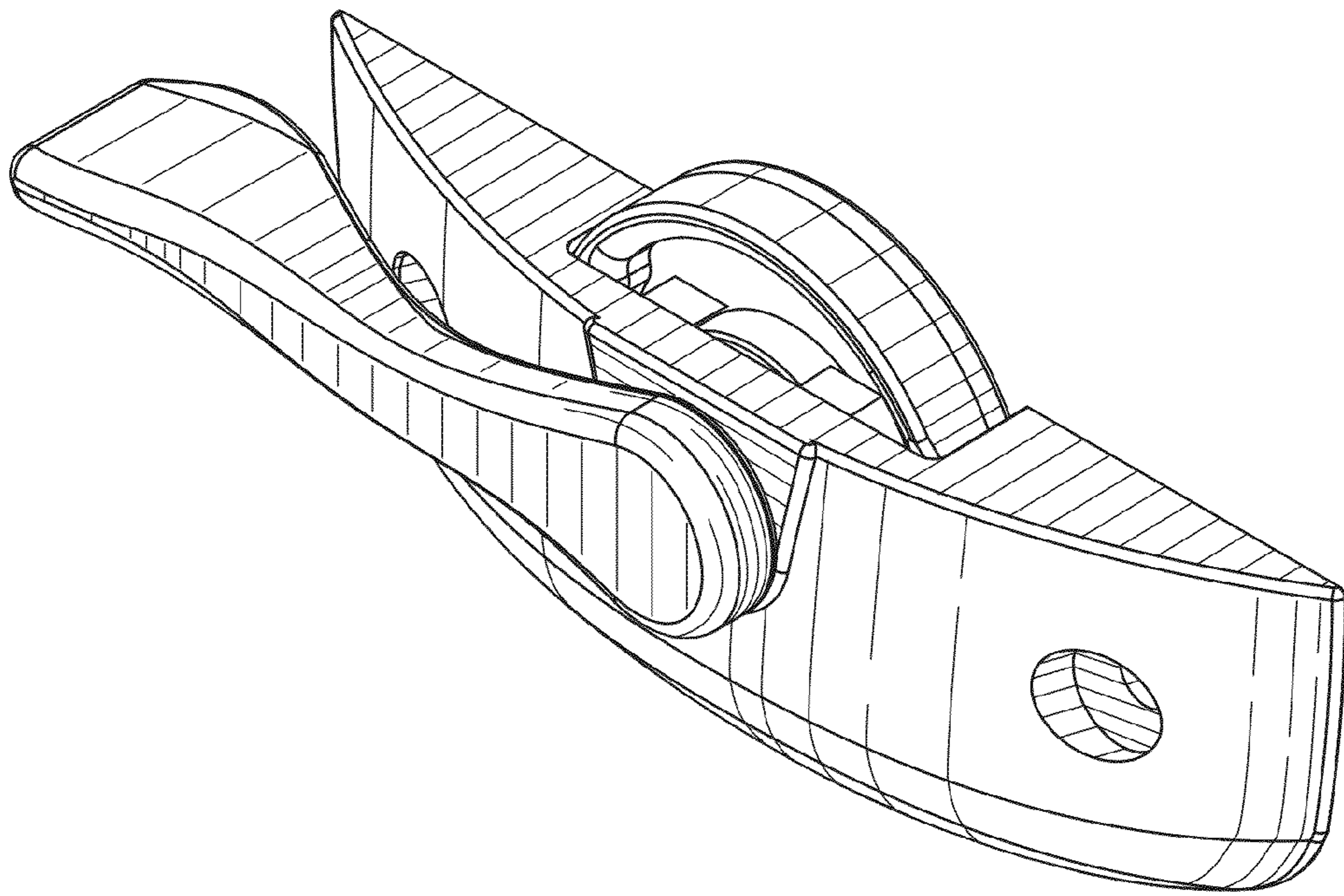


Fig. 1

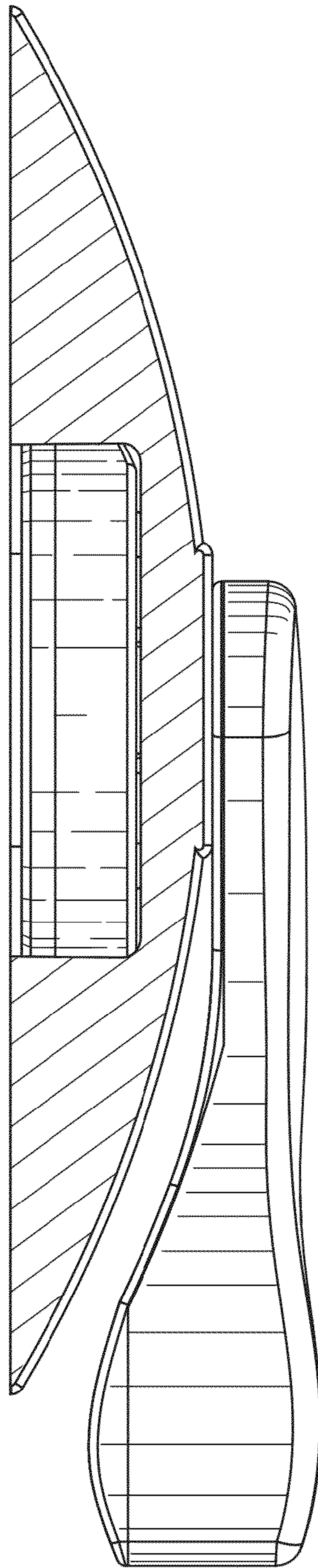


Fig. 2

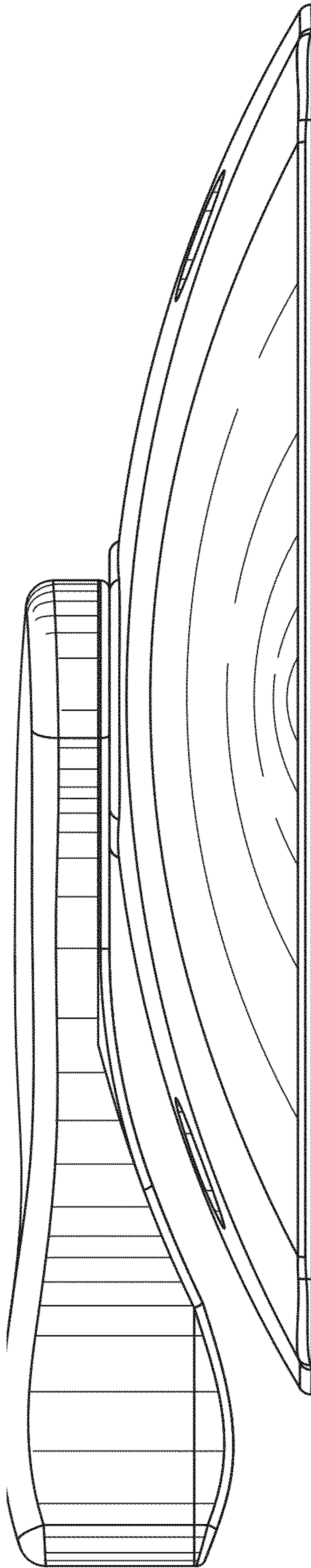


Fig. 3

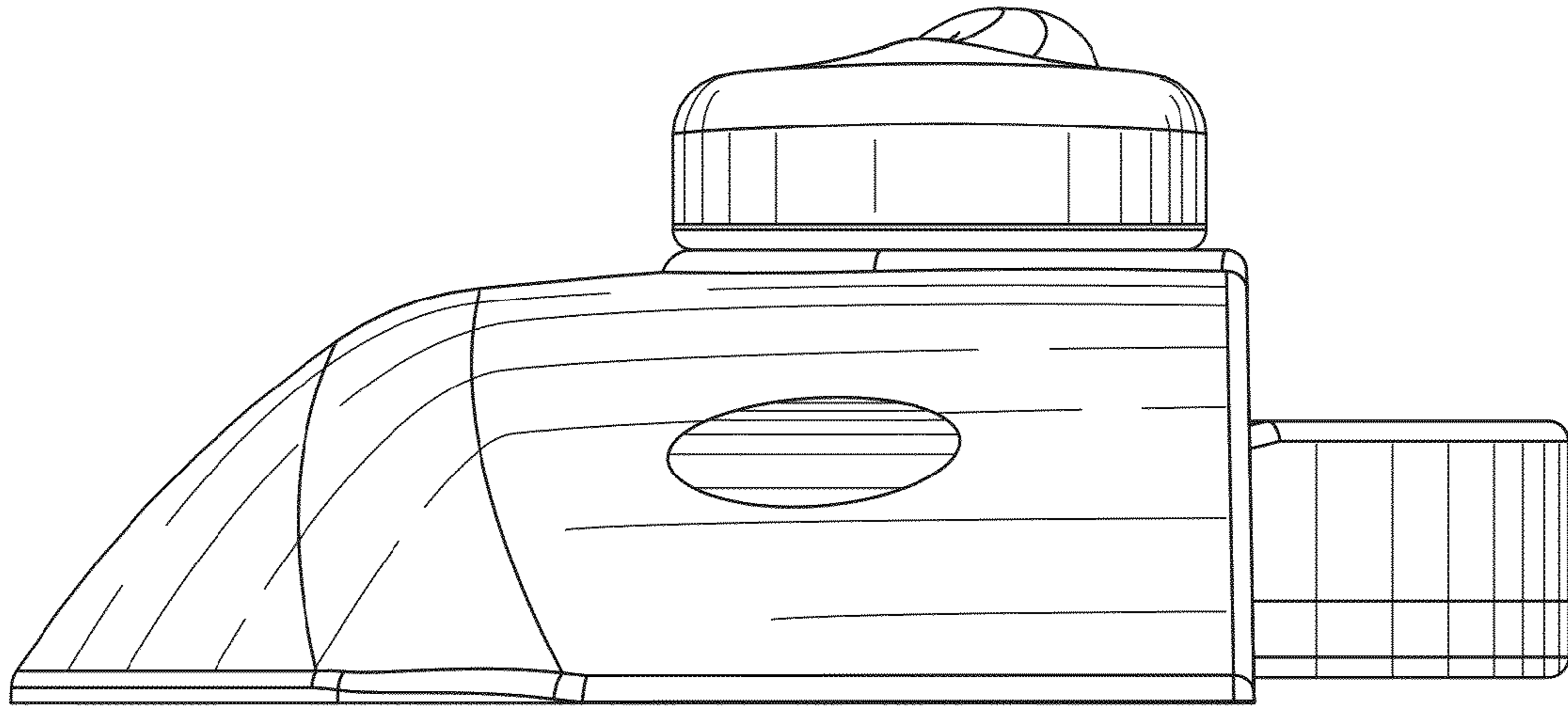


Fig. 4

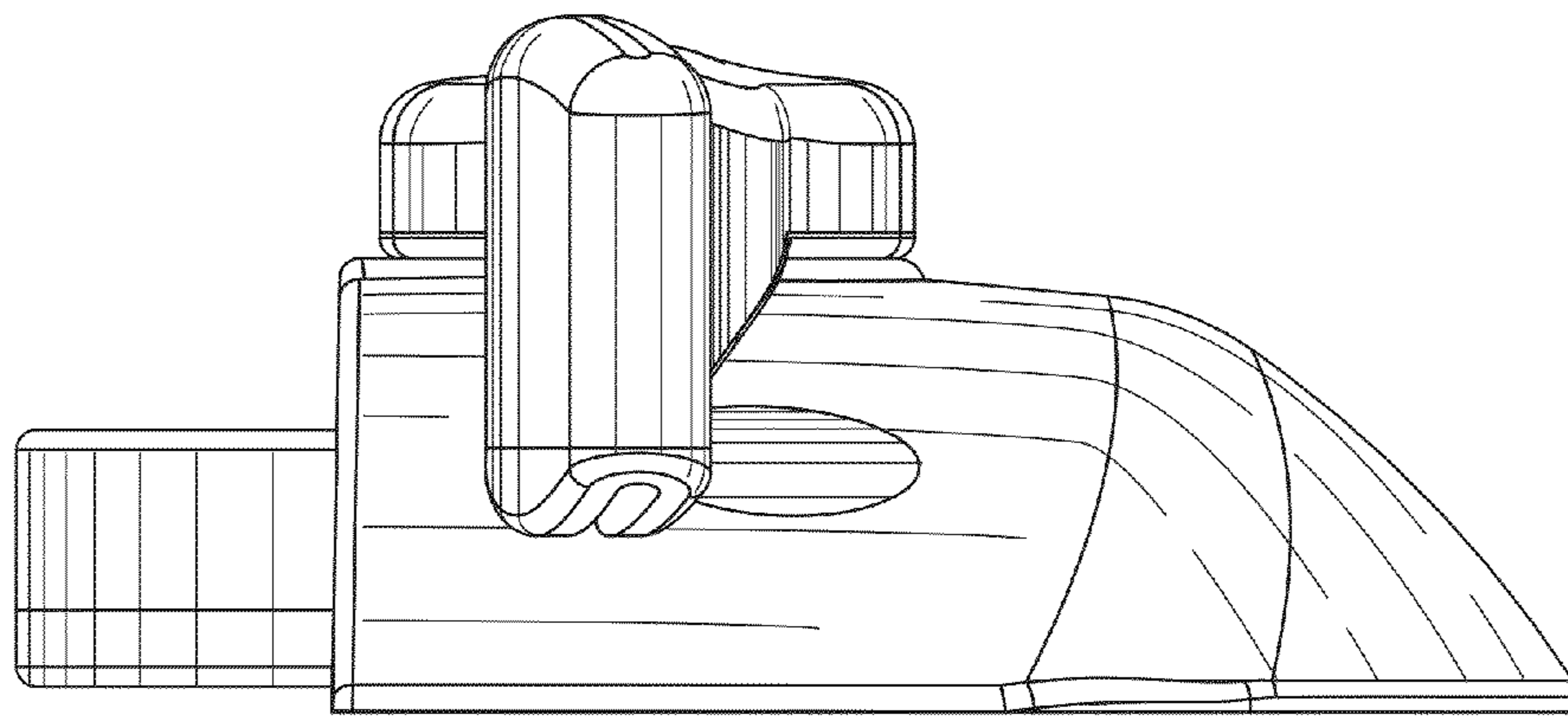


Fig. 5

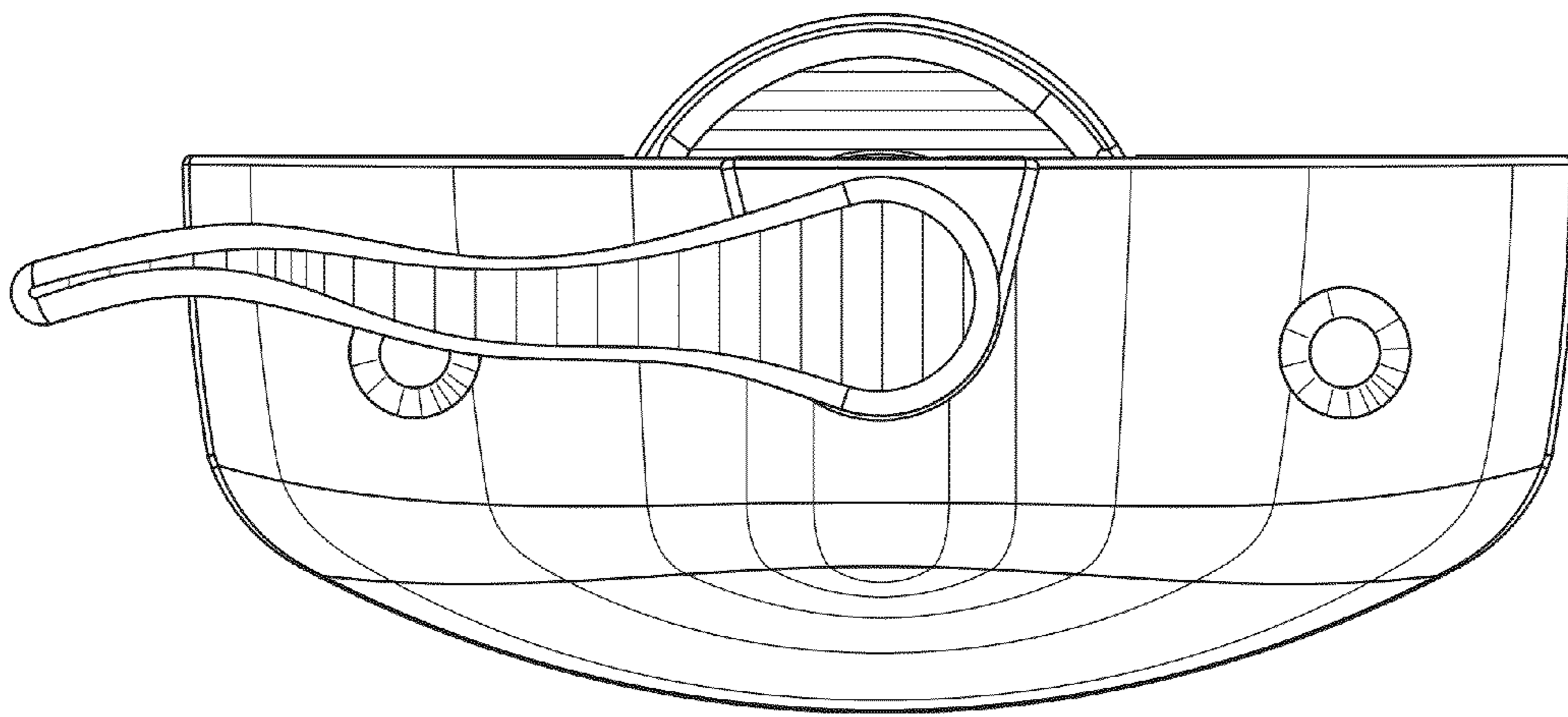


Fig. 6

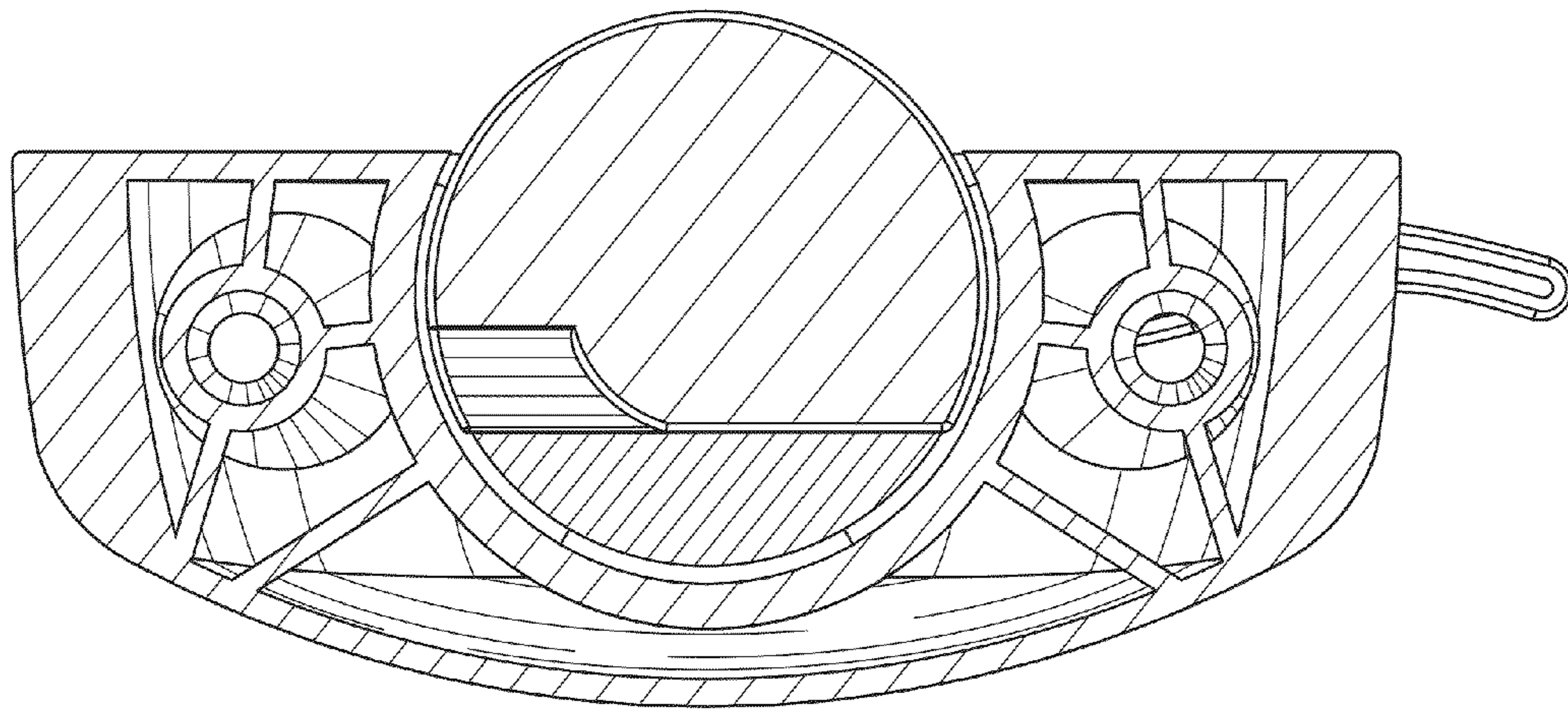


Fig. 7

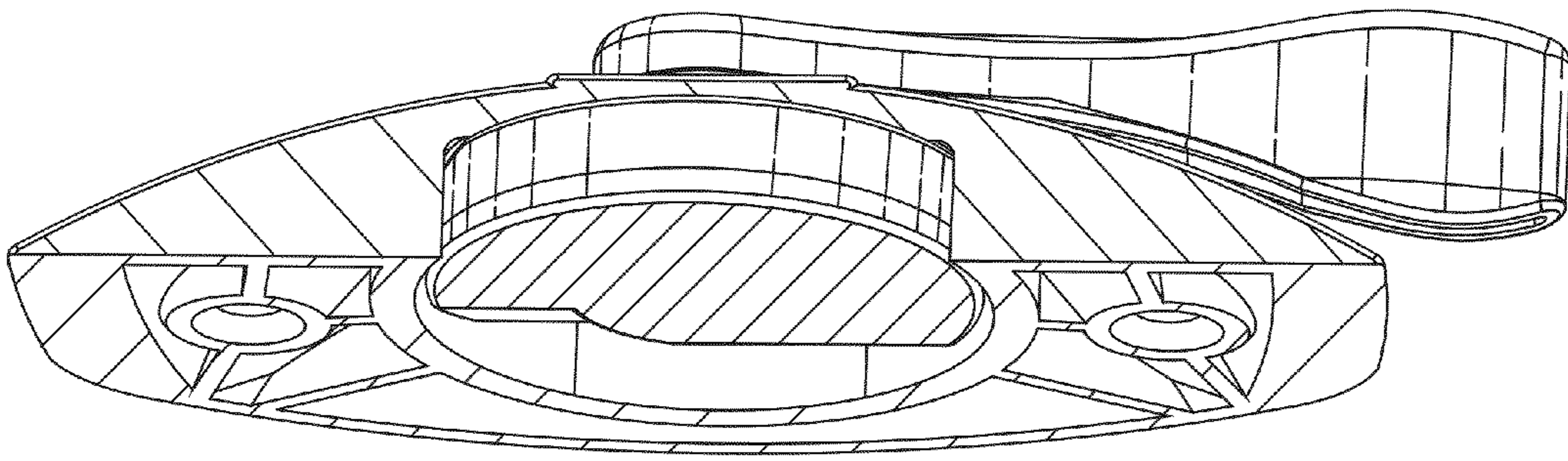


Fig. 8