



US00D687287S

(12) **United States Design Patent**
Yu Chen

(10) **Patent No.:** **US D687,287 S**

(45) **Date of Patent:** **** Aug. 6, 2013**

(54) **CUTTER**

(71) Applicant: **Hsiu-Man Yu Chen**, Taichung (TW)

(72) Inventor: **Hsiu-Man Yu Chen**, Taichung (TW)

(**) Term: **14 Years**

(21) Appl. No.: **29/443,402**

(22) Filed: **Jan. 17, 2013**

(51) **LOC (9) Cl.** **08-03**

(52) **U.S. Cl.**
USPC **D8/98**

(58) **Field of Classification Search**
USPC ... D8/14, 16, 18-20, 98-100, 102-105; 30/2,
30/286-287, 294, 314, 317, 337, 353; D3/210,
D3/211
See application file for complete search history.

(56) **References Cited**

U.S. PATENT DOCUMENTS

2,599,439	A *	6/1952	Drake	30/151
3,028,670	A *	4/1962	Tilly	30/294
3,290,780	A *	12/1966	Oehlert	30/294
3,448,519	A *	6/1969	Tobias	30/293
D244,987	S *	7/1977	Lavitch	D8/98
4,680,861	A *	7/1987	Meurer	30/298.4
D295,365	S *	4/1988	Freedman	D8/98
D306,394	S *	3/1990	Koenig	D8/102
5,046,253	A *	9/1991	Ireland	30/289
D329,368	S *	9/1992	Desrochers	D8/102
D329,798	S *	9/1992	Kramer et al.	D8/102
5,285,577	A *	2/1994	Carney et al.	30/294
D350,770	S *	9/1994	Carney et al.	D19/36
D362,168	S *	9/1995	Mancini	D8/98

5,524,348	A *	6/1996	Tipp	30/294
D372,184	S *	7/1996	Bender, Jr.	D8/102
D372,655	S *	8/1996	Lin	D8/102
D379,421	S *	5/1997	Friedman	D8/98
D380,365	S *	7/1997	Schmidt	D8/102
5,724,738	A *	3/1998	Ballarini	30/294
D421,889	S *	3/2000	Moore	D8/102
6,371,844	B1 *	4/2002	Holler	452/132
D458,828	S *	6/2002	Starrett	D8/98
6,807,737	B1 *	10/2004	Davia	30/294
D590,687	S *	4/2009	Ireland	D8/98
7,866,049	B2 *	1/2011	Brawner	30/294
D637,883	S *	5/2011	Yu Chen	D8/98
D655,995	S *	3/2012	Ireland	D8/98
D655,996	S *	3/2012	Ireland	D8/98

* cited by examiner

Primary Examiner — Philip S Hyder

Assistant Examiner — Roselynn Cody

(74) *Attorney, Agent, or Firm* — Ming Chow; Sinorica, LLC

(57) **CLAIM**

I claim the ornamental design for a cutter, as shown and described.

DESCRIPTION

FIG. 1 is a front perspective view of a cutter showing my new design;

FIG. 2 is a front elevational view thereof;

FIG. 3 is a rear elevational view thereof.

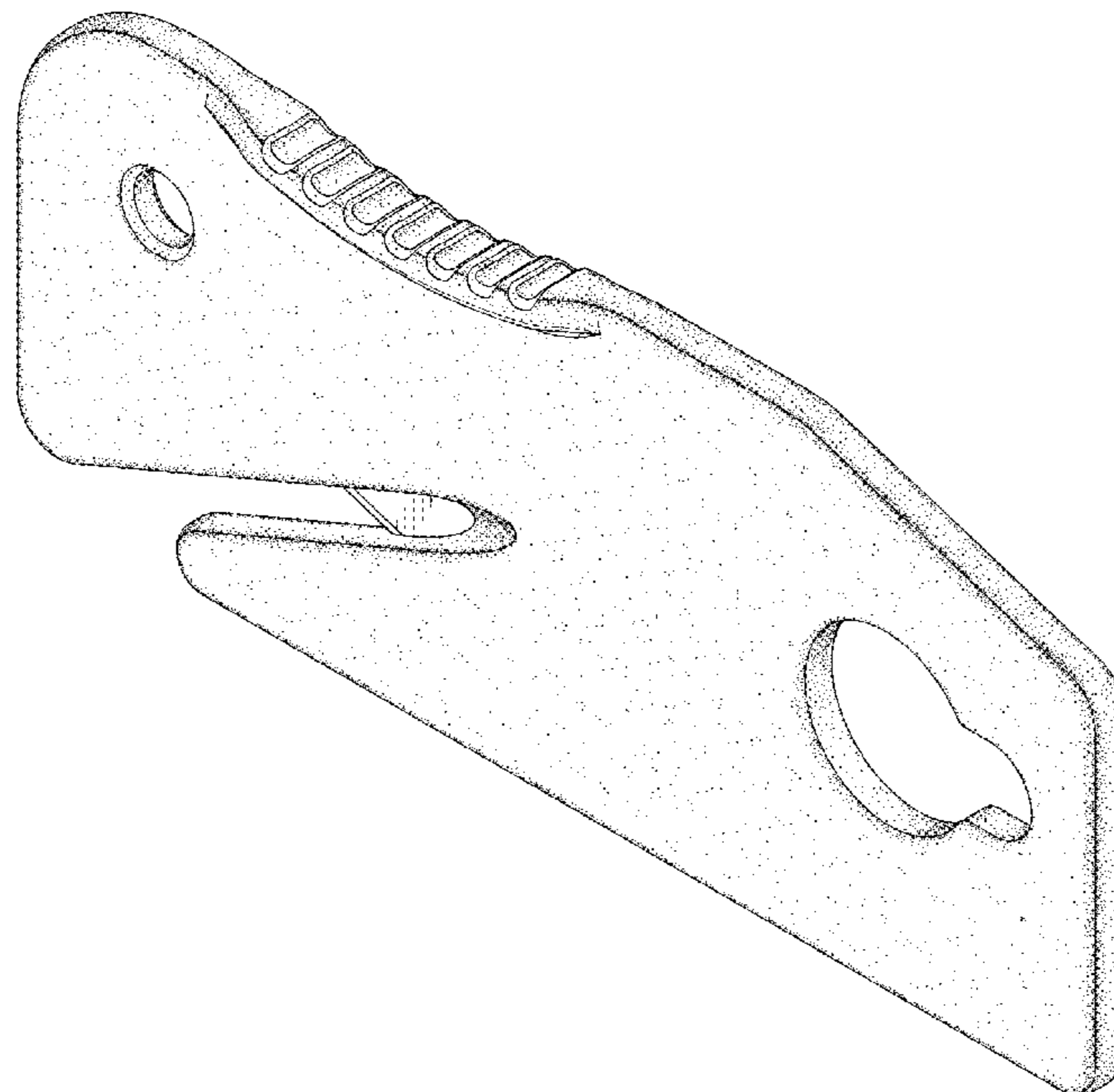
FIG. 4 is a left side elevational view thereof;

FIG. 5 is a right side elevational view thereof;

FIG. 6 is a top plan view thereof; and,

FIG. 7 is a bottom plan view thereof.

1 Claim, 4 Drawing Sheets



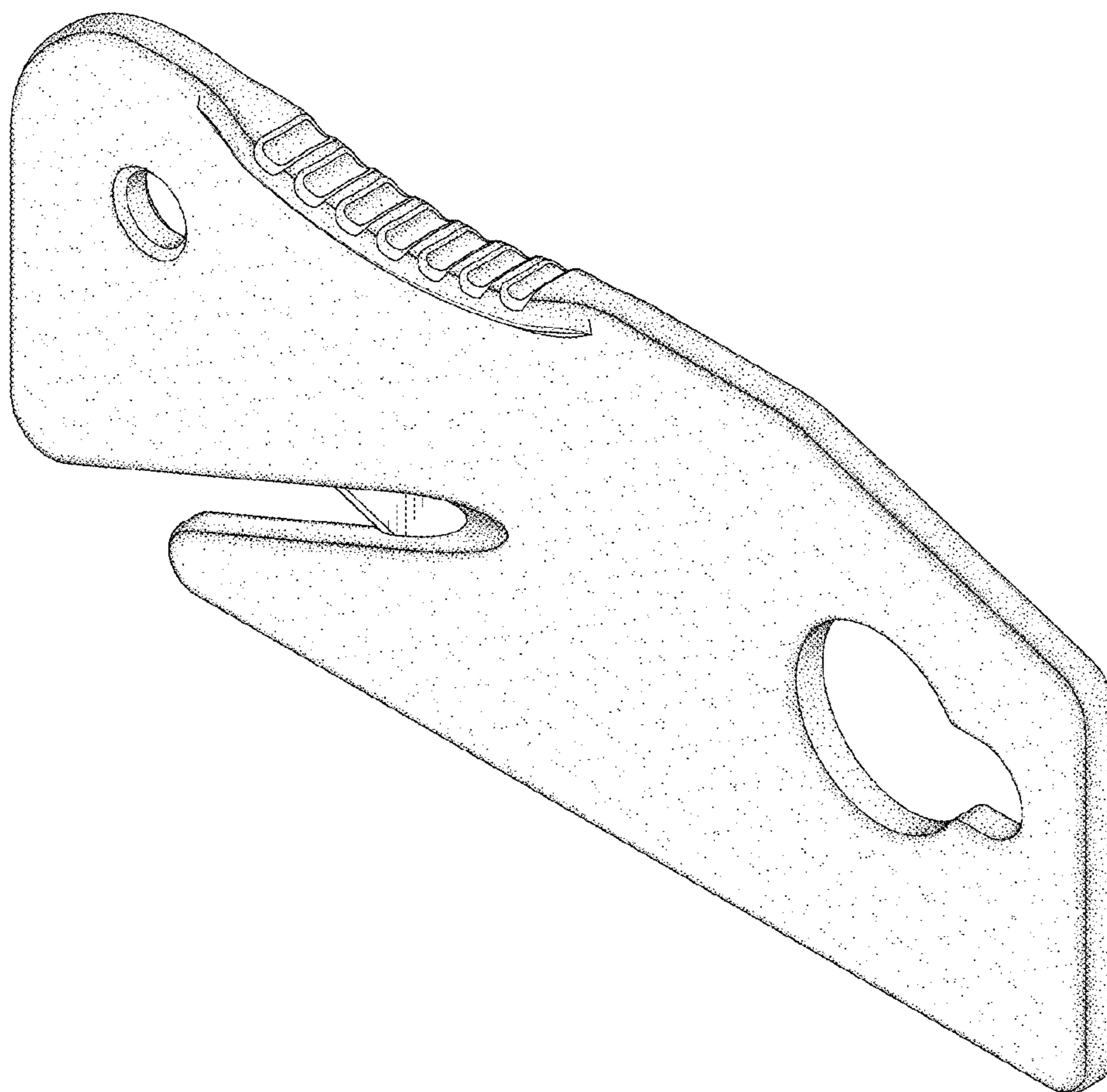


FIG. 1

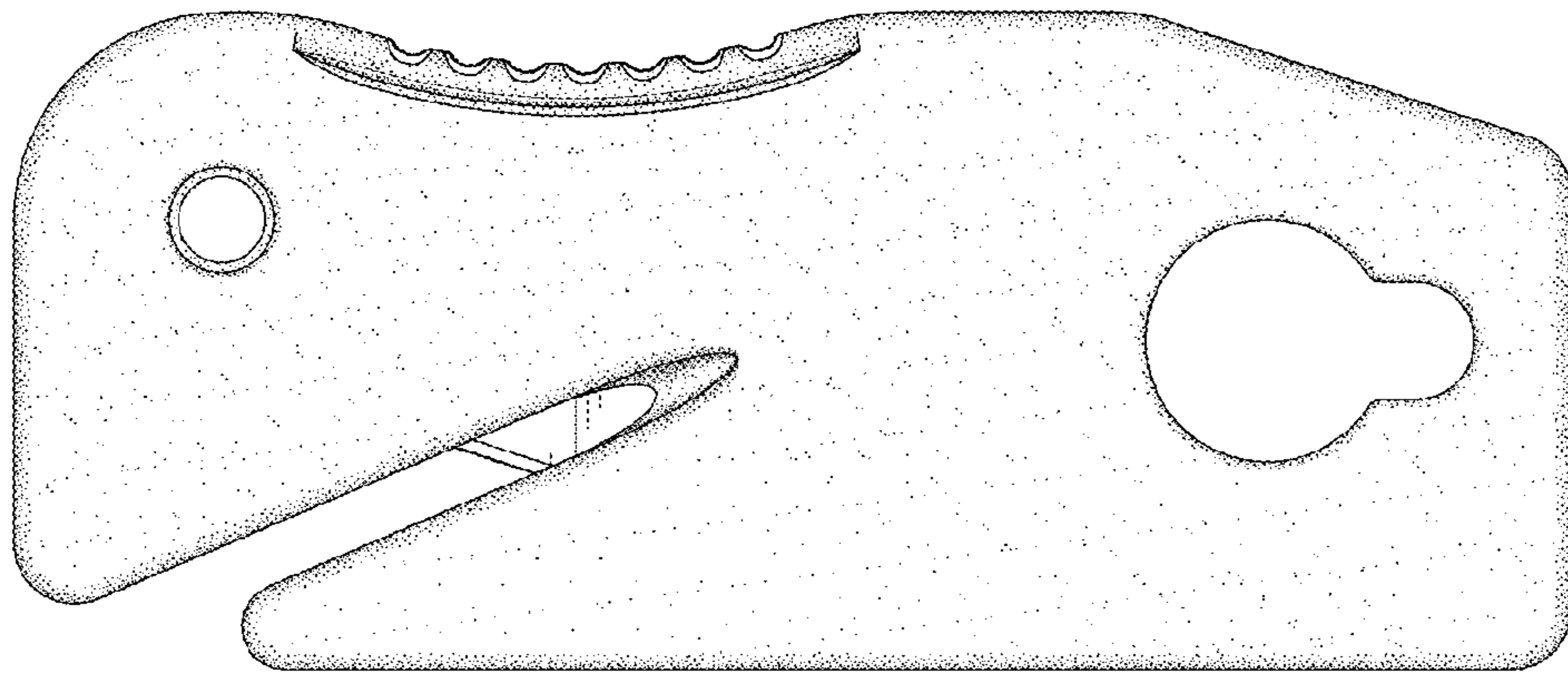


FIG. 2

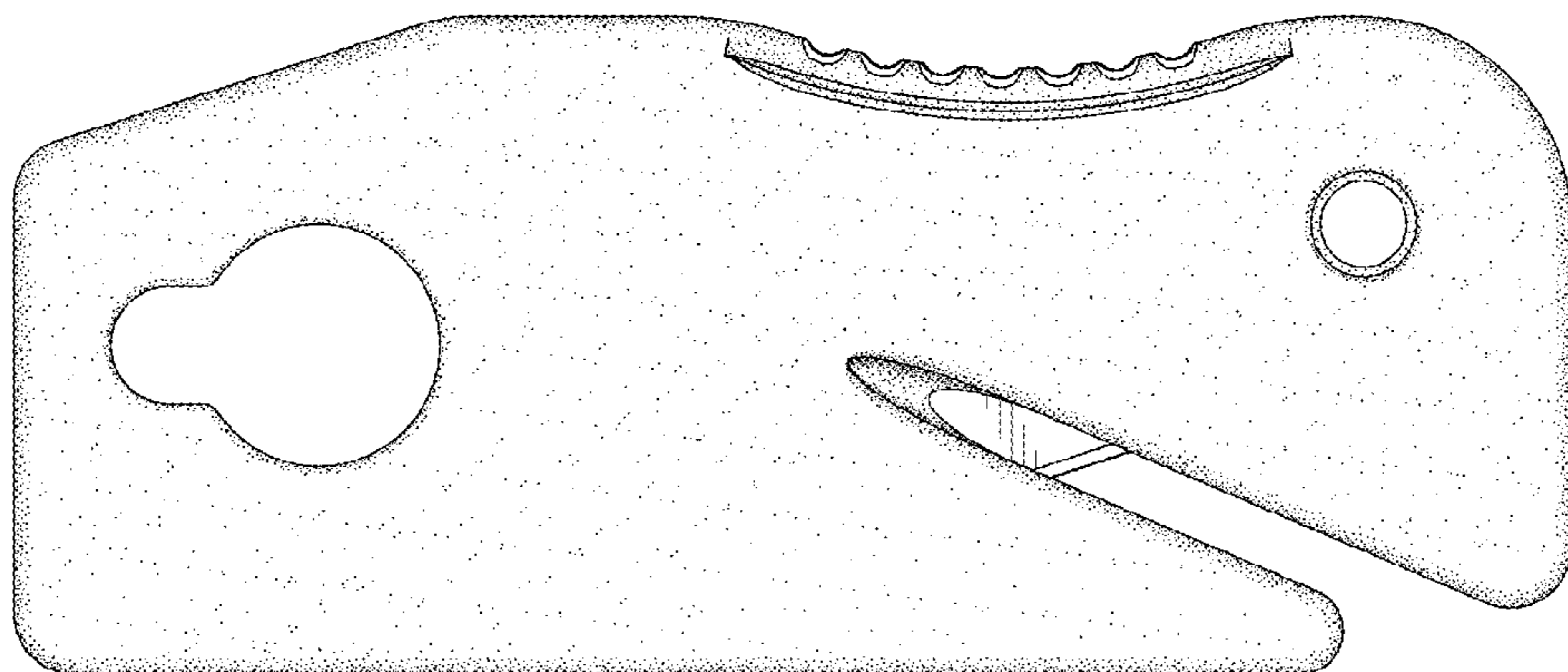


FIG. 3

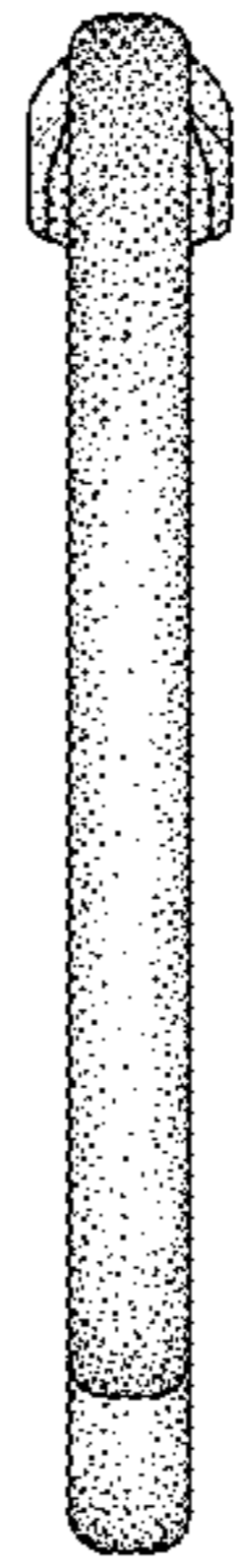


FIG. 4

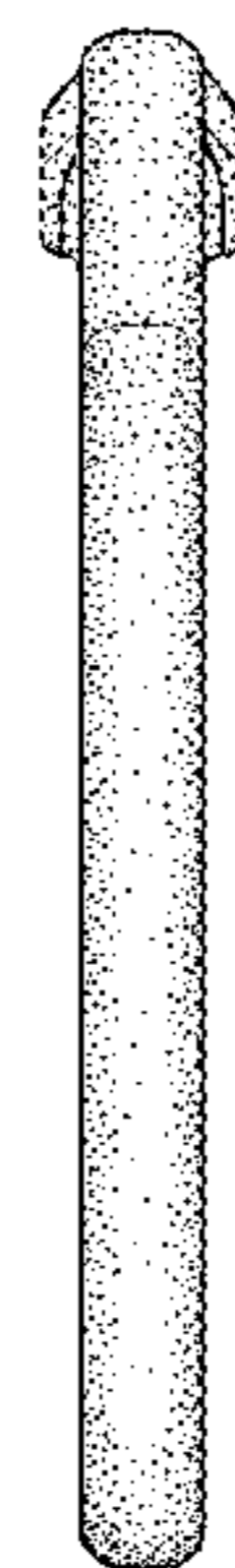


FIG. 5



FIG. 6

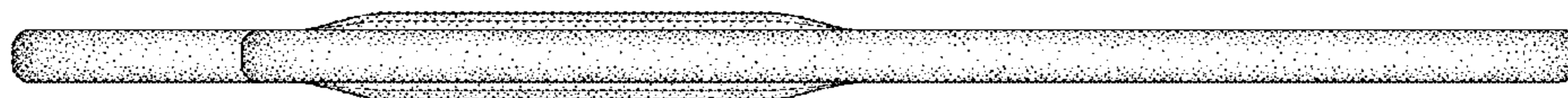


FIG. 7