



US00D687284S

(12) **United States Design Patent**
Liu

(10) **Patent No.:** **US D687,284 S**

(45) **Date of Patent:** **** Aug. 6, 2013**

(54) **BRACELET FOR ATTACHING TOOL BITS**

(76) Inventor: **Chao-Chih Liu**, Taichung (TW)

(**) Term: **14 Years**

(21) Appl. No.: **29/430,038**

(22) Filed: **Aug. 21, 2012**

(51) **LOC (9) Cl.** **08-05**

(52) **U.S. Cl.**
USPC **D8/71**

(58) **Field of Classification Search**
USPC D8/70, 71, 85, 86; D11/1, 3, 22,
D11/35, 95-116

See application file for complete search history.

(56) **References Cited**

U.S. PATENT DOCUMENTS

D61,623 S *	10/1922	Kahn et al.	D11/35
D96,526 S *	8/1935	Balf	D11/35
D229,390 S *	11/1973	Hart	D8/85
D243,318 S *	2/1977	Kurihara	D10/32
D247,607 S *	3/1978	Schneider, Sr.	D8/70
D249,874 S *	10/1978	Lawrence	D10/38
D263,019 S *	2/1982	Samuelsson	D8/70
D360,161 S *	7/1995	Wendelstein	D11/4
D395,811 S *	7/1998	Li	D8/70
D568,175 S *	5/2008	Martinez et al.	D10/32
D640,948 S *	7/2011	Quigley	D11/3
D646,191 S *	10/2011	Murphy	D11/2
D652,337 S *	1/2012	Molik	D11/3
D657,705 S *	4/2012	Guerrero, II	D11/4
2010/0122926 A1 *	5/2010	Tocco et al.	206/379

OTHER PUBLICATIONS

Magneto Scoffs At Your Magnogrip Bracelets. Geekologie. Mar. 22, 2010 [online], [retrieved on Jun. 10, 2013]. Retrieved from the Internet <URL: <http://www.geekologie.com/2010/03/magneto-scoffs-at-your-magnogr.php>>.*

* cited by examiner

Primary Examiner — Philip S Hyder
Assistant Examiner — Darlington Ly

(57) **CLAIM**

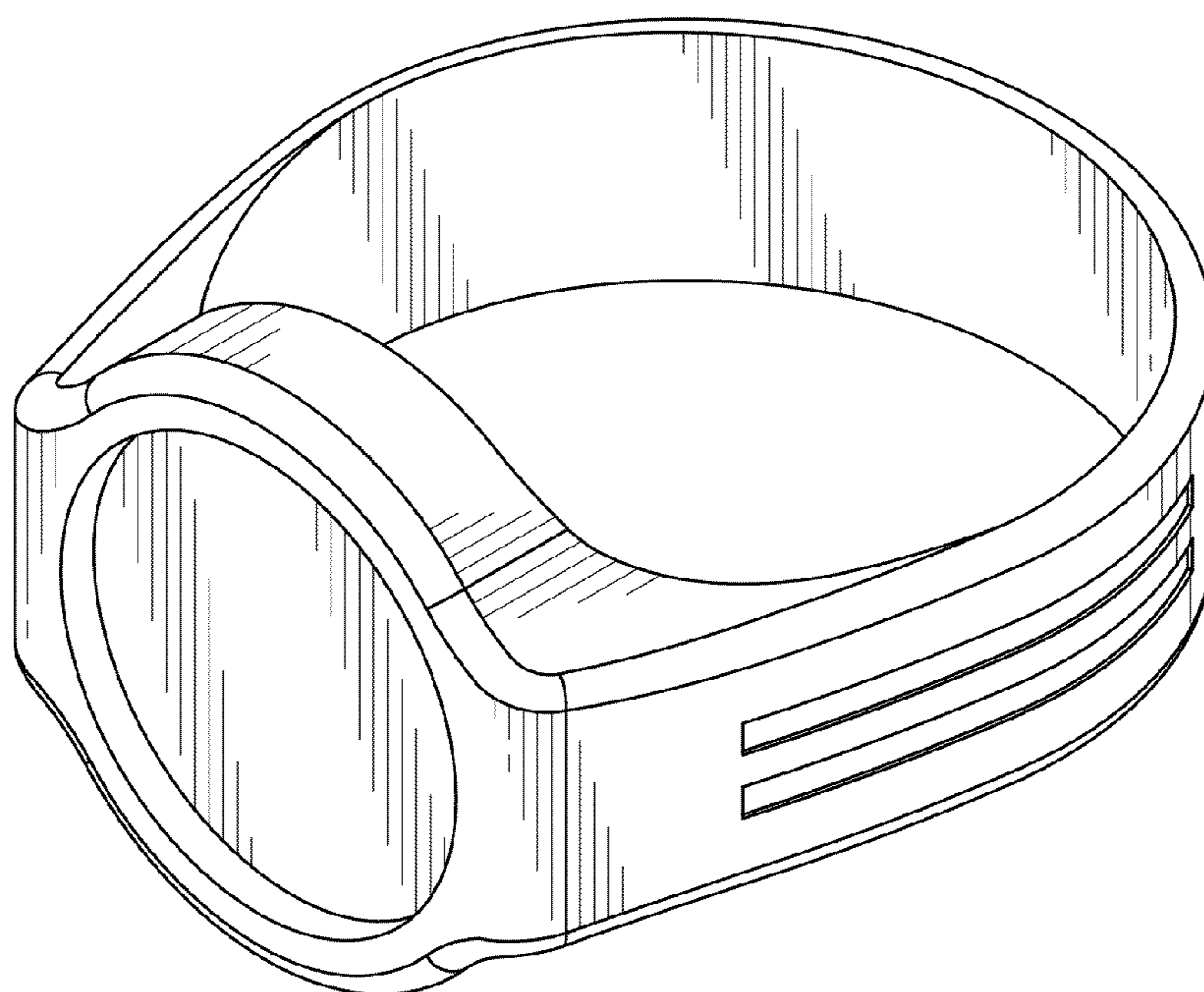
The ornamental design for a bracelet for attaching tool bits, as shown and described.

DESCRIPTION

FIG. 1 is a perspective view of a bracelet for attaching tool bits showing my new design;
FIG. 2 is a front elevational view thereof;
FIG. 3 is a rear elevational view thereof;
FIG. 4 is a left side view thereof;
FIG. 5 is a right side view thereof;
FIG. 6 is a top plan view thereof;
FIG. 7 is a bottom plan view thereof; and,
FIG. 8 is a perspective view thereof, wherein a magnetic element is shown assembled on the front surface of the bracelet for attaching tool bits.

The broken lines shown in the drawings illustrate portions of the bracelet for attaching tool bits that form no part of claimed design.

1 Claim, 6 Drawing Sheets



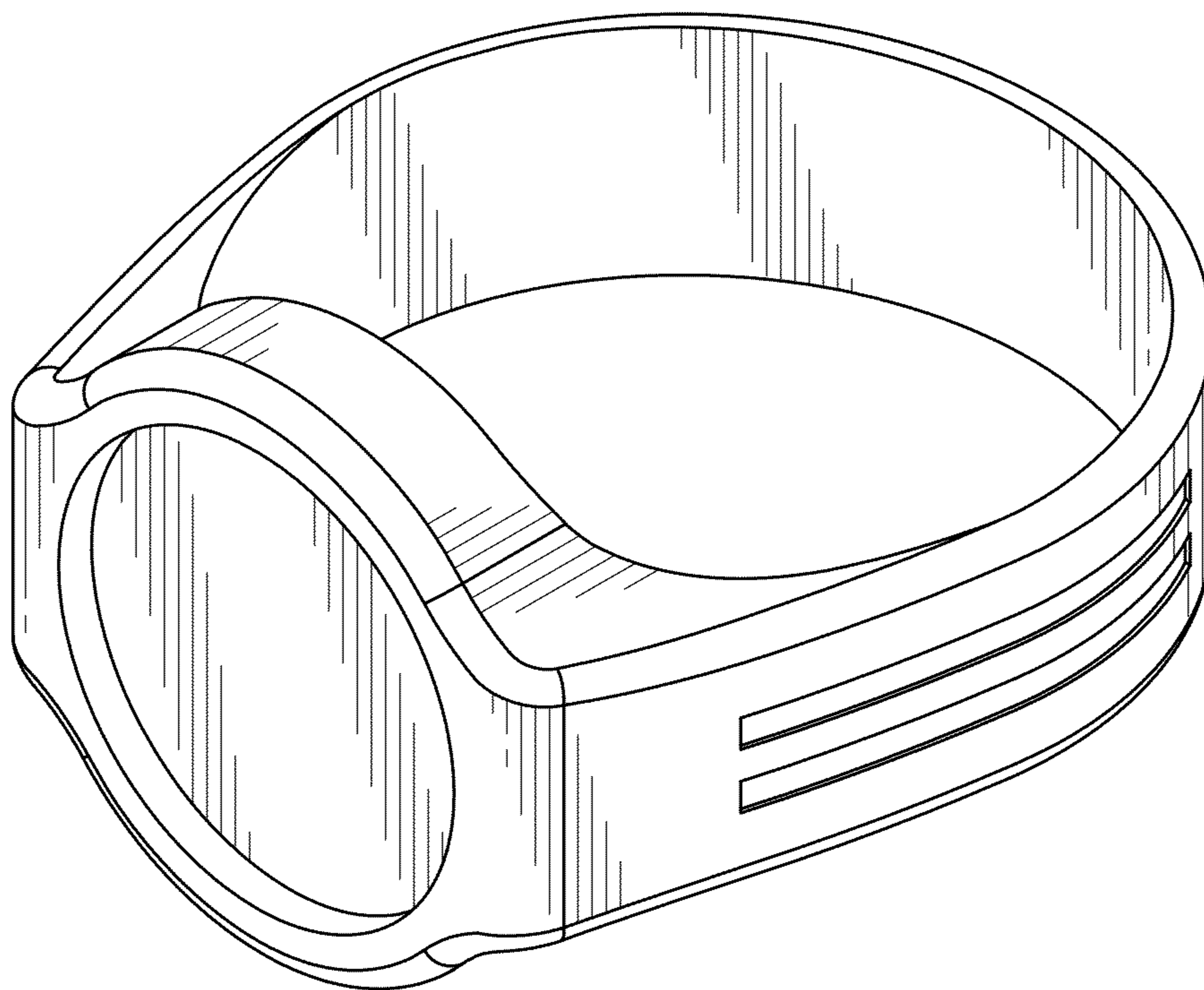


FIG. 1

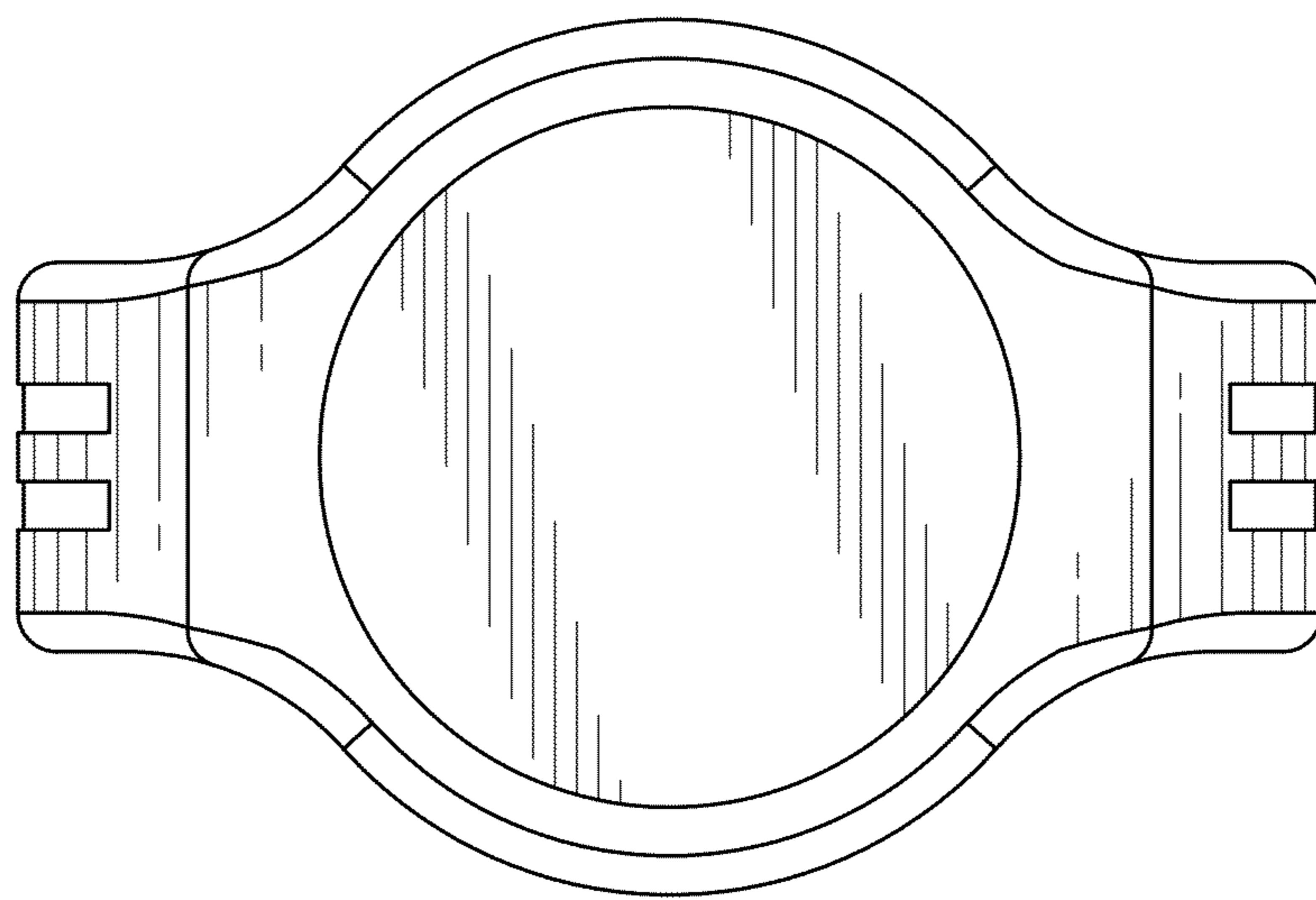


FIG. 2

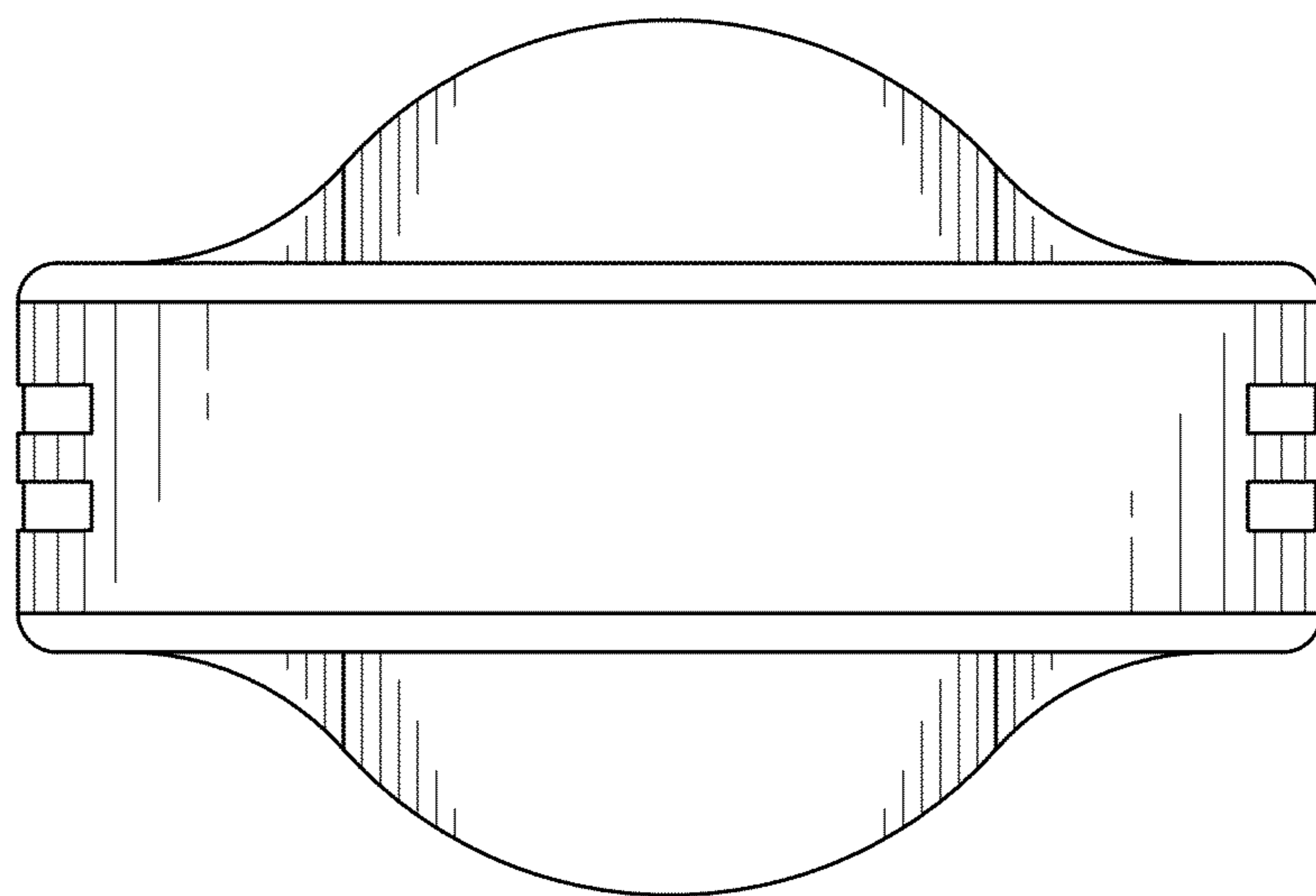


FIG. 3

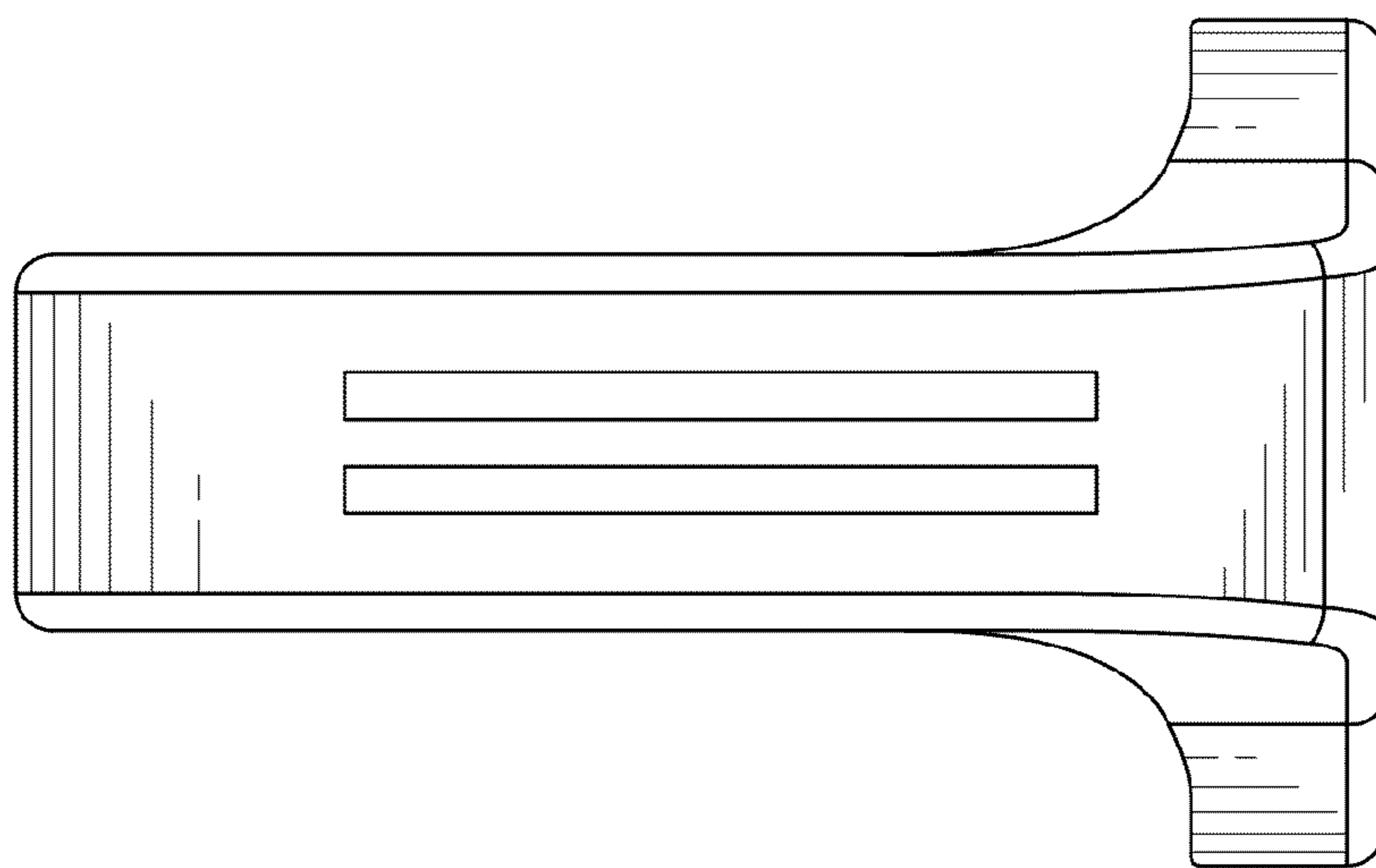


FIG. 4

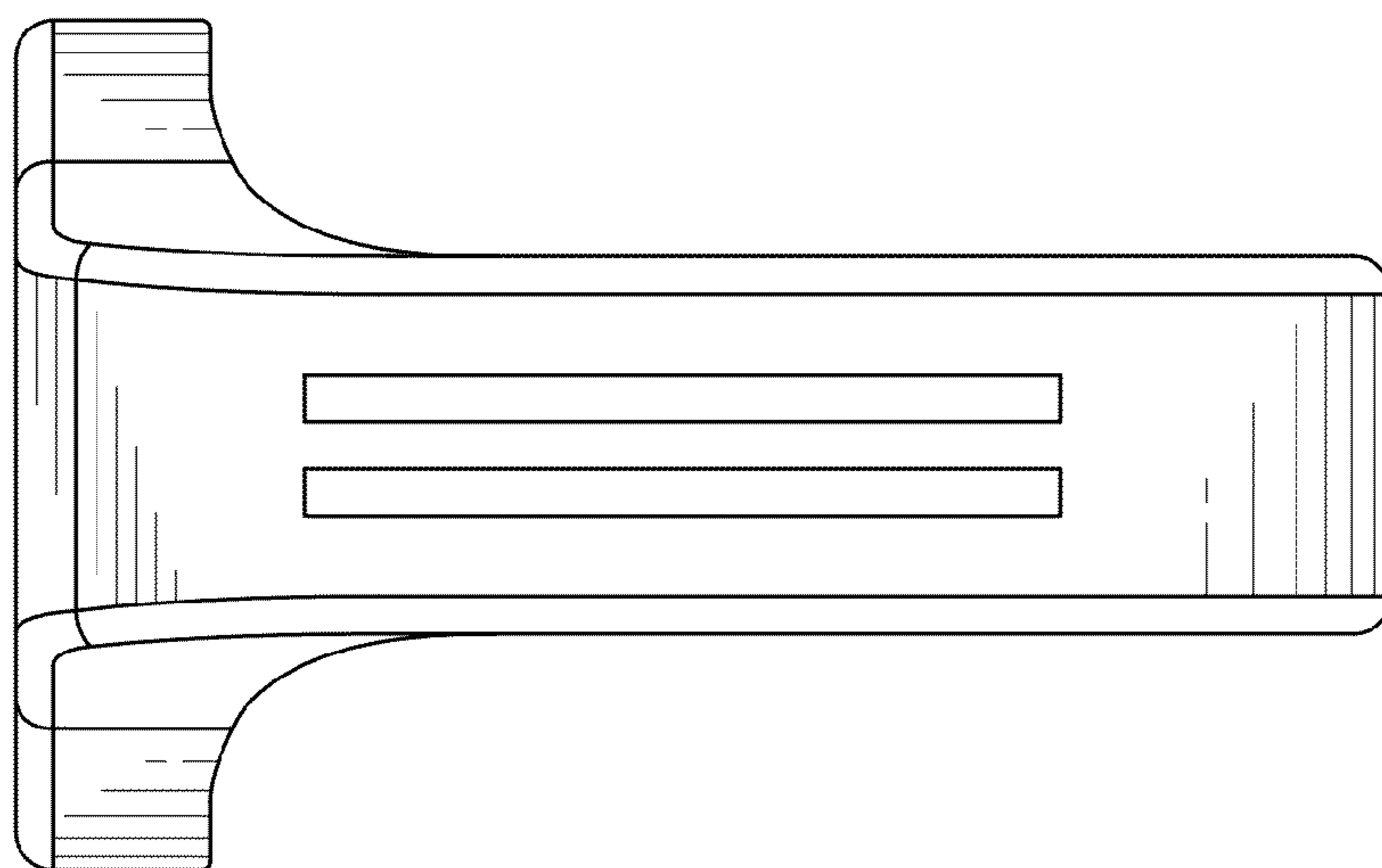


FIG. 5

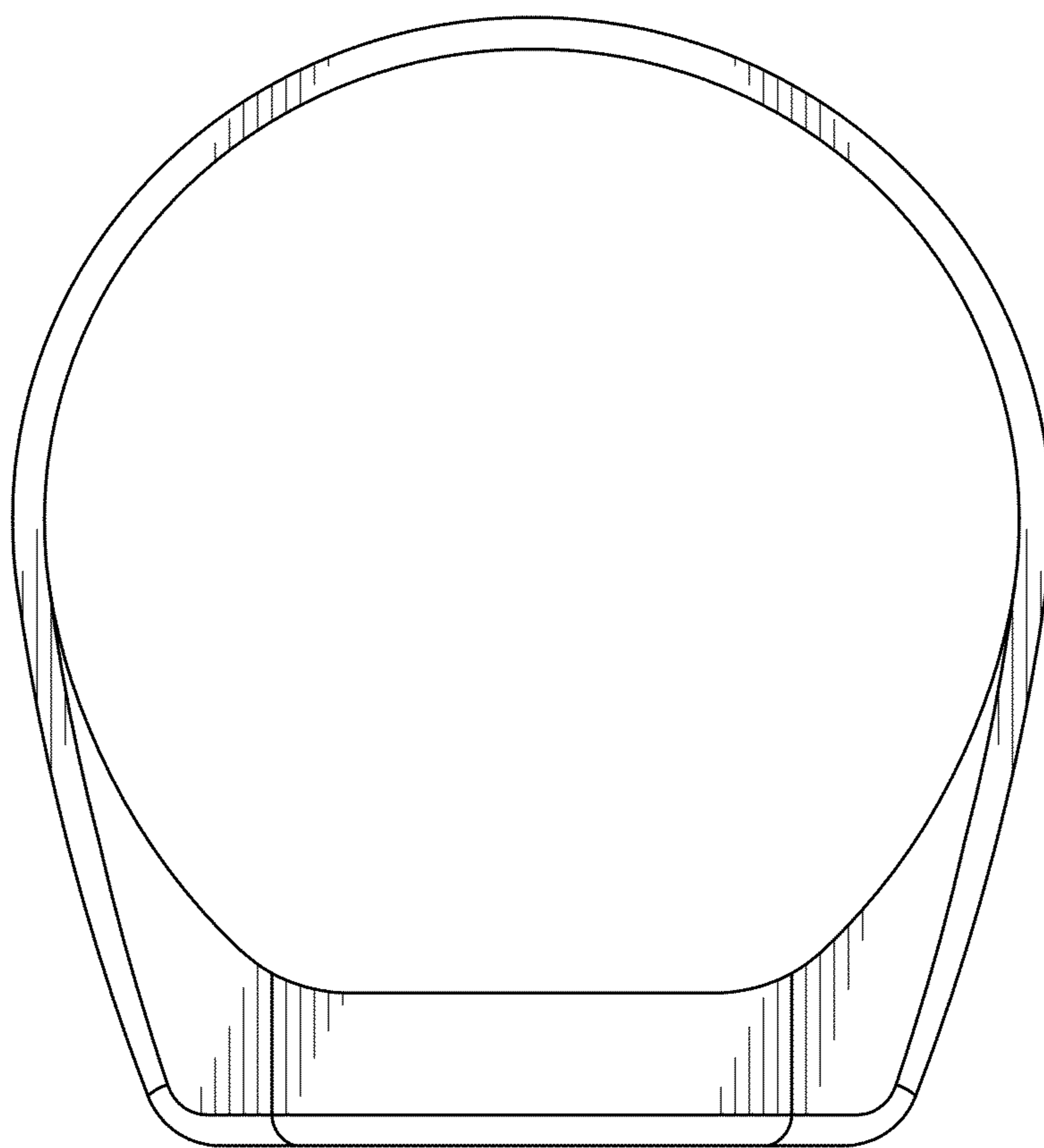


FIG. 6

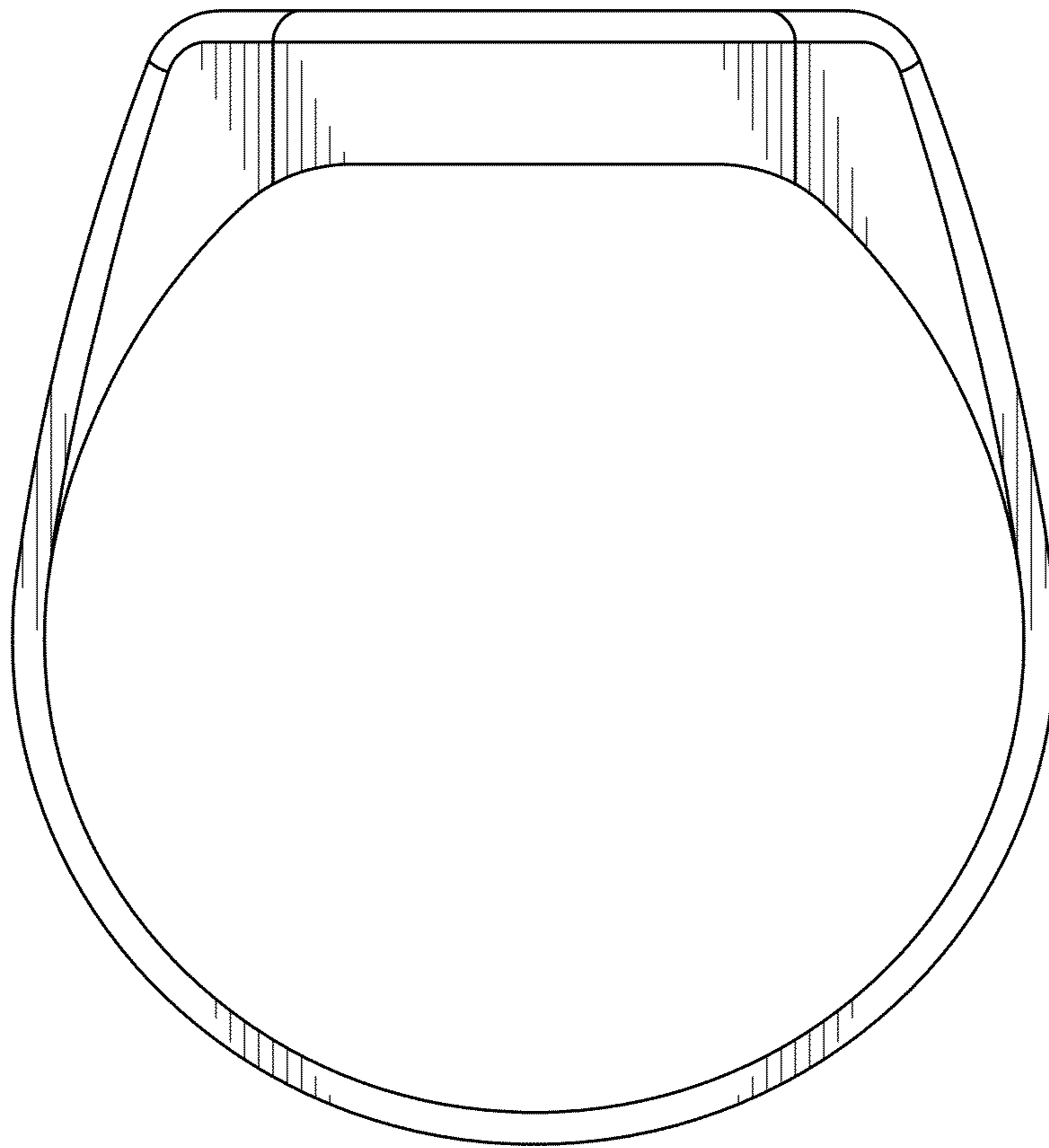


FIG. 7

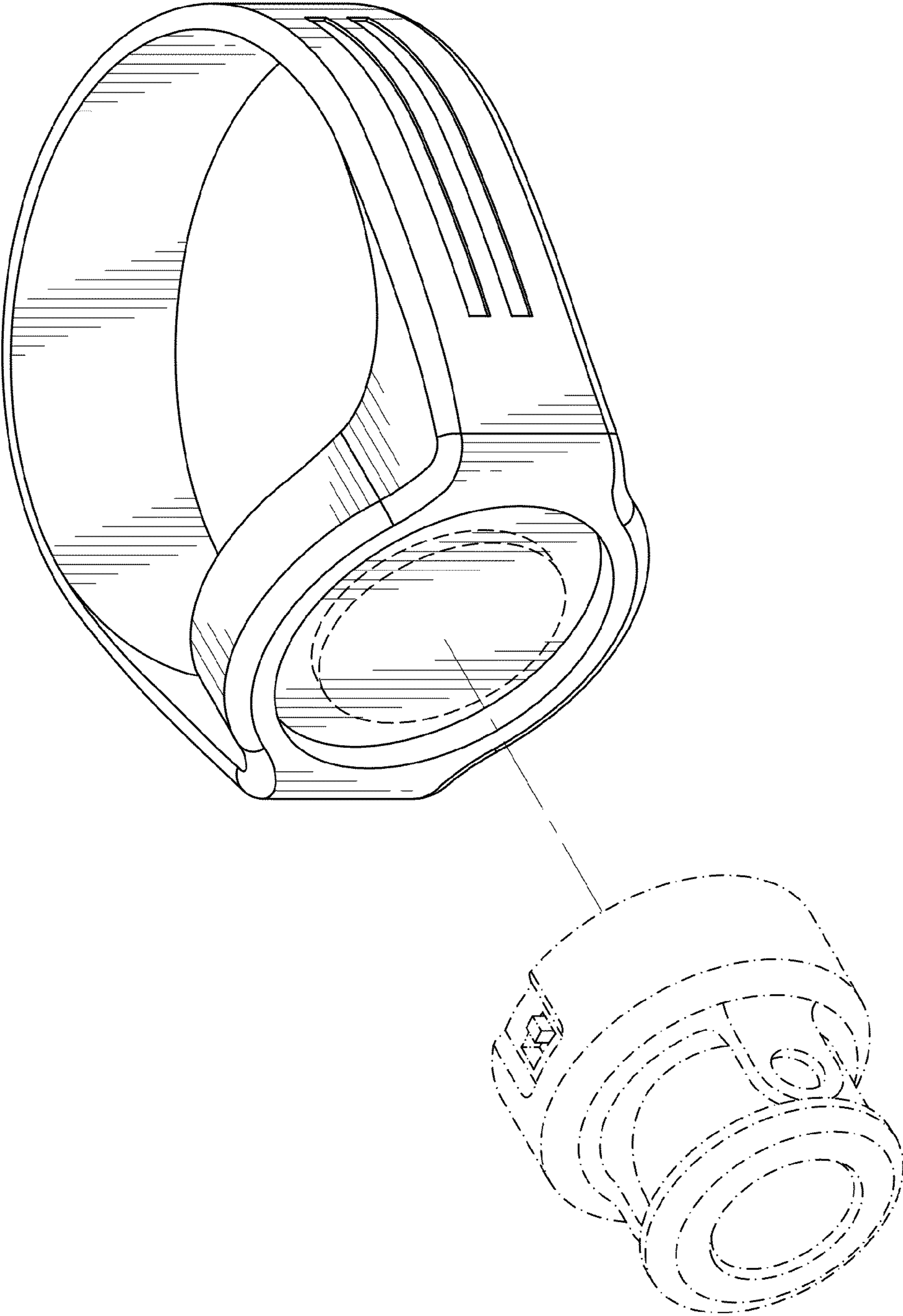


FIG. 8