



US00D687283S

(12) **United States Design Patent**  
**Robinson et al.**

(10) **Patent No.:** **US D687,283 S**

(45) **Date of Patent:** **\*\* Aug. 6, 2013**

(54) **WRENCH STAND**

(75) Inventors: **Gregory N. Robinson**, Clarksburg, MO (US); **Timothy R. McKnight**, Columbia, MO (US)

(73) Assignee: **Central States Plastics, LLC**, Clarksburg, MO (US)

(\*\*) Term: **14 Years**

(21) Appl. No.: **29/429,846**

(22) Filed: **Aug. 17, 2012**

(51) **LOC (9) Cl.** ..... **08-05**

(52) **U.S. Cl.**  
USPC ..... **D8/71**

(58) **Field of Classification Search**  
USPC ..... D19/85; D34/31; D12/180; D8/17, D8/21, 71, 88, 352; D6/309; D7/354, 356, D7/357, 550.1, 552.1, 553.1, 553.6; 81/52; 248/161, 407, 423

See application file for complete search history.

(56) **References Cited**

**U.S. PATENT DOCUMENTS**

634,100	A	10/1899	Wise	
2,614,444	A	10/1952	Moore	
2,960,895	A *	11/1960	Richards	81/462
3,069,945	A *	12/1962	Shandel	81/462
3,097,550	A *	7/1963	Johnston	81/462
3,158,050	A *	11/1964	Shandel	173/93
3,262,341	A	7/1966	Cline et al.	
3,298,665	A	1/1967	Sieloff	
3,577,818	A	5/1971	Cramer et al.	
3,730,027	A *	5/1973	Rohn	81/462
3,785,618	A	1/1974	Medwick et al.	
4,300,412	A *	11/1981	Houser et al.	81/462
4,553,456	A	11/1985	Rafert	
4,619,161	A	10/1986	Reynolds	
4,620,462	A *	11/1986	Parker	81/462
4,625,600	A *	12/1986	Koren et al.	81/462

4,630,511	A *	12/1986	Shirley	81/462
4,660,447	A *	4/1987	Rossi	81/462
5,018,413	A *	5/1991	Vazquez	81/462
5,263,392	A *	11/1993	Schoen	81/462
D353,527	S *	12/1994	Drake	D8/71
5,431,074	A	7/1995	Durante	
5,613,411	A *	3/1997	Rines	81/462
5,615,863	A	4/1997	Bailey	
5,910,198	A *	6/1999	Maher et al.	81/462
5,967,005	A *	10/1999	DeVore et al.	81/462
6,041,681	A *	3/2000	Griffin, Sr.	81/462
6,662,692	B2 *	12/2003	Anderson et al.	81/462
6,748,832	B1 *	6/2004	Maxwell	81/462
7,121,175	B2	10/2006	Anderson	

**FOREIGN PATENT DOCUMENTS**

DE	4038157	A1 *	5/1992
JP	2010131733	A *	6/2010

\* cited by examiner

*Primary Examiner* — Philip S Hyder

*Assistant Examiner* — Darlington Ly

(74) *Attorney, Agent, or Firm* — Erickson, Kernell, Derusseau & Kleypas, LLC

(57) **CLAIM**

The ornamental design for a wrench stand, as shown and described.

**DESCRIPTION**

FIG. 1 is a front perspective view of our ornamental design for a wrench stand,

FIG. 2 is a top plan view of the wrench stand of FIG. 1;

FIG. 3 is a front elevation view thereof,

FIG. 4 is a bottom plan view thereof;

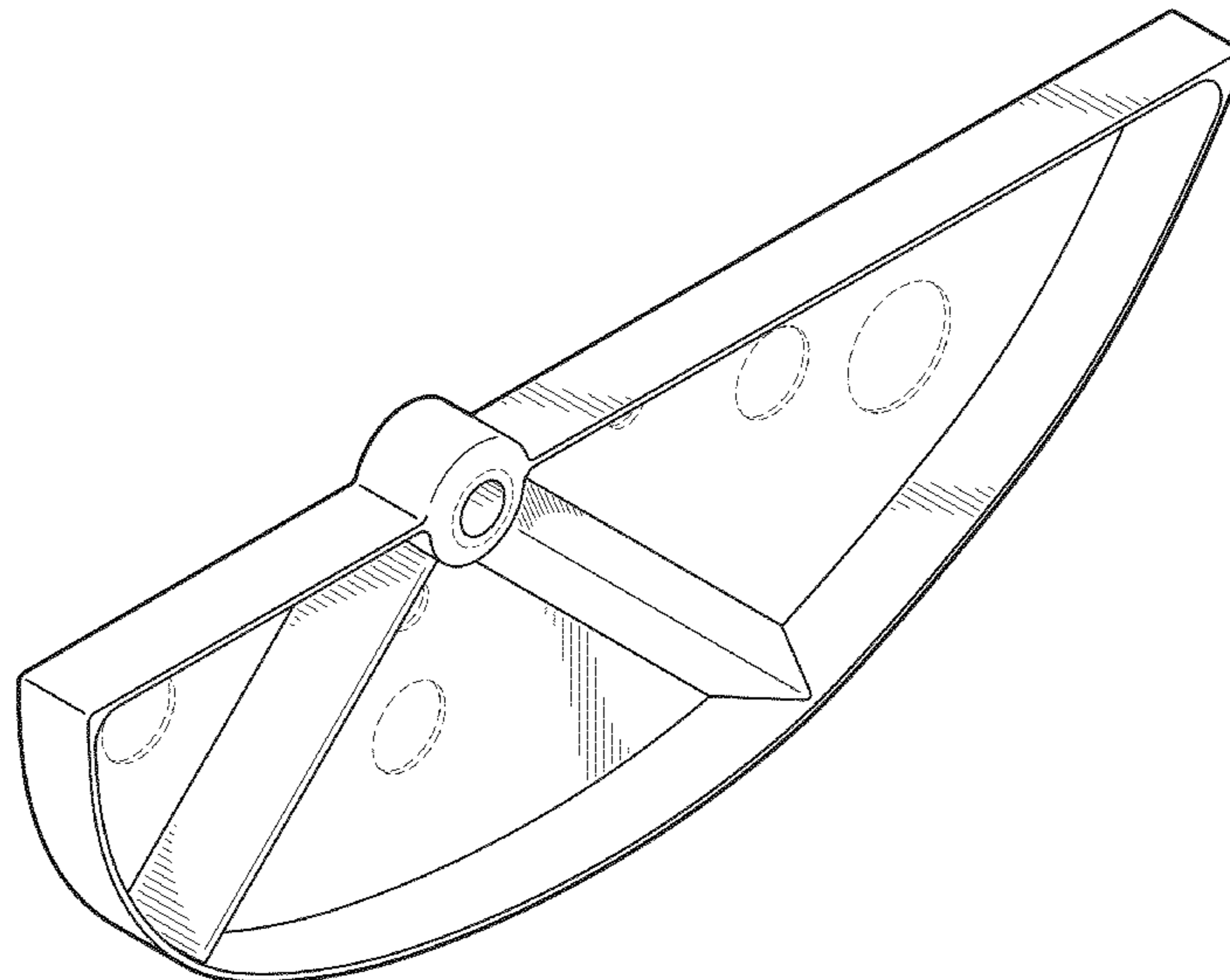
FIG. 5 is a rear elevation view thereof,

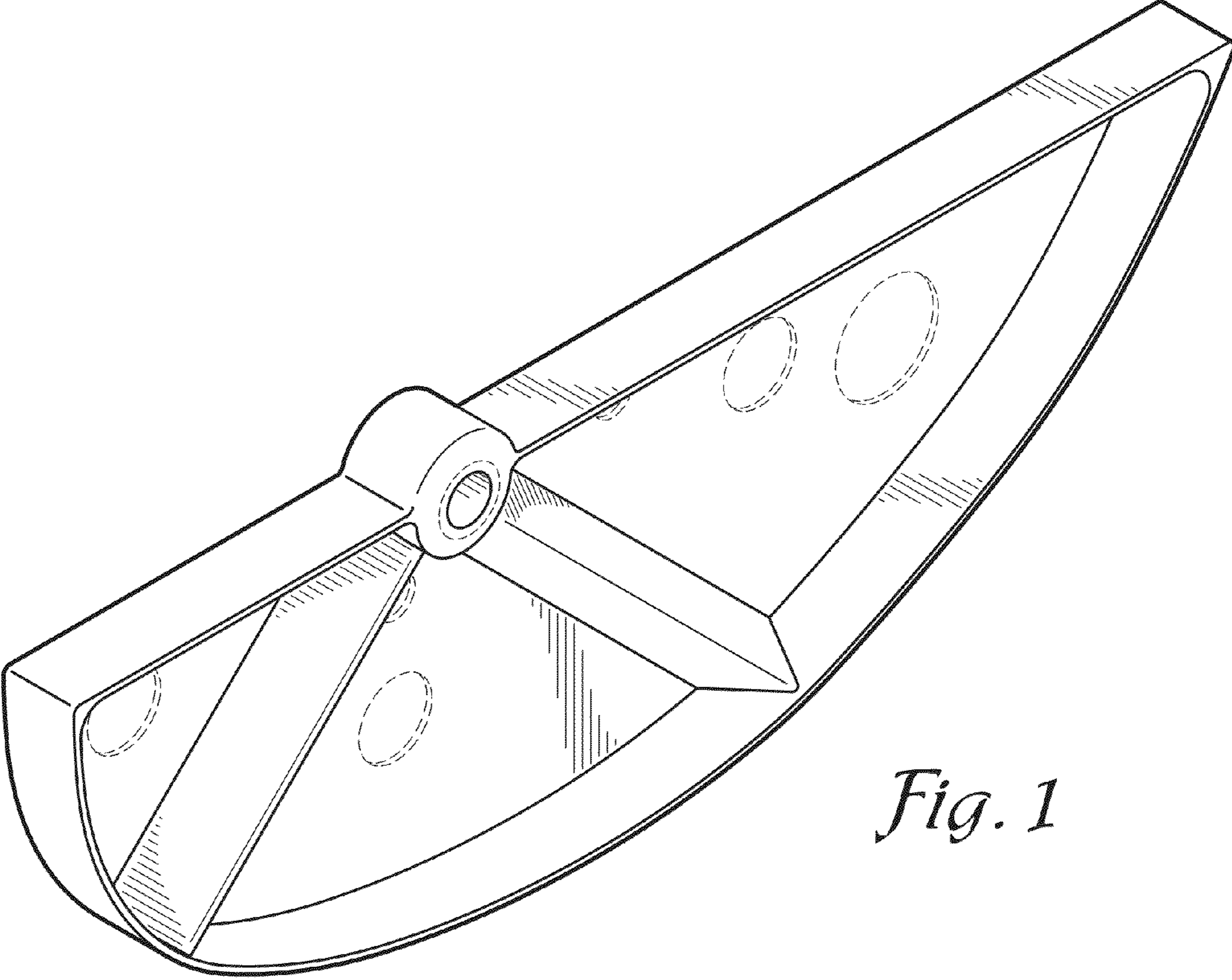
FIG. 6 is a left elevation view thereof; and,

FIG. 7 is a right elevation view thereof.

The broken lines shown in the drawings illustrate portions of the wrench stand that form no part of claimed design.

**1 Claim, 3 Drawing Sheets**

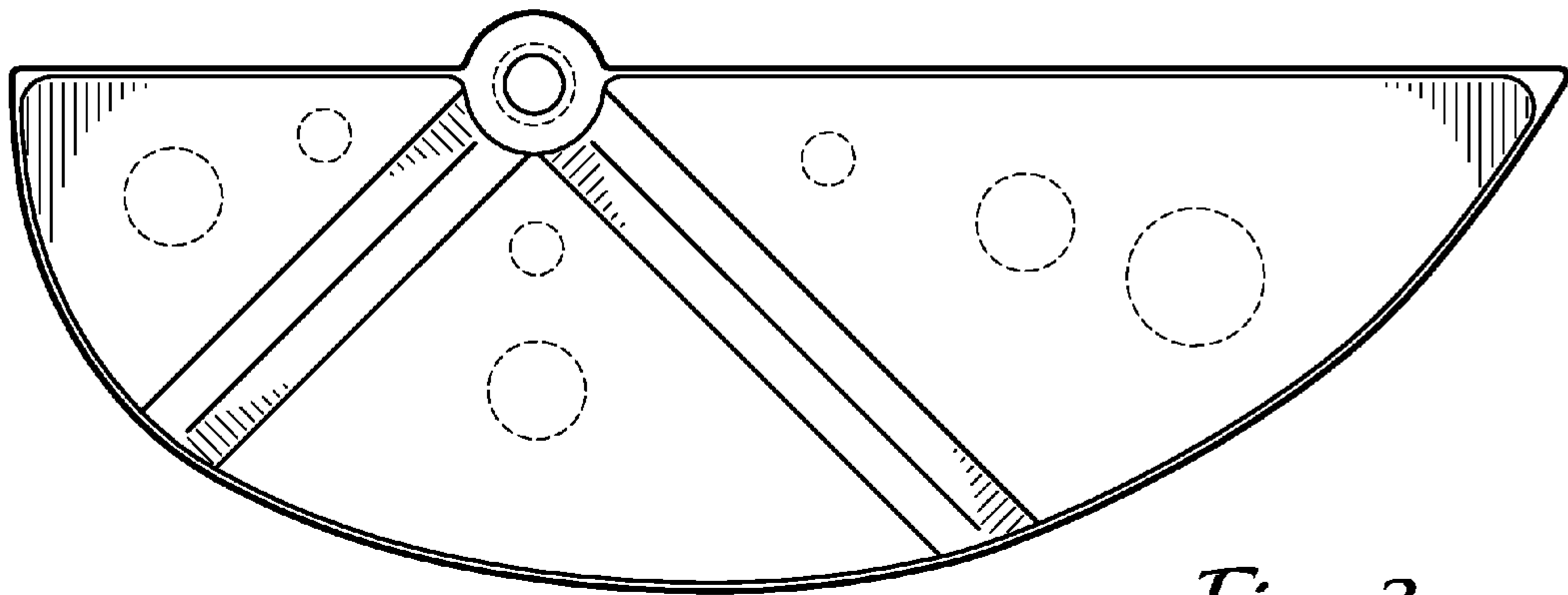




*Fig. 1*



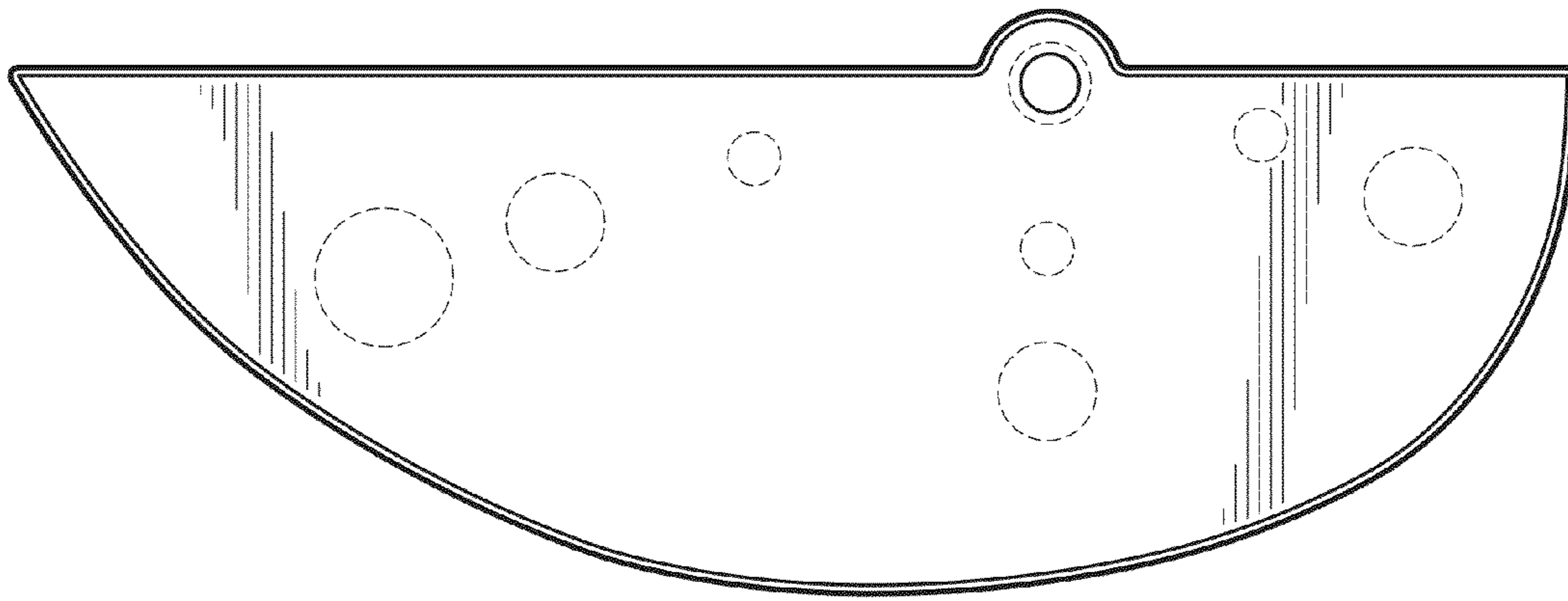
*Fig. 2*



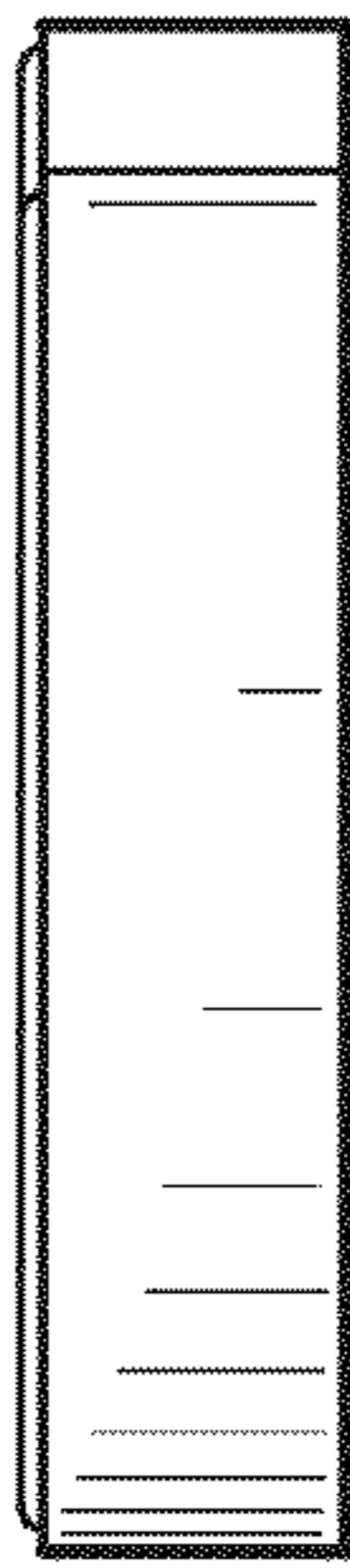
*Fig. 3*



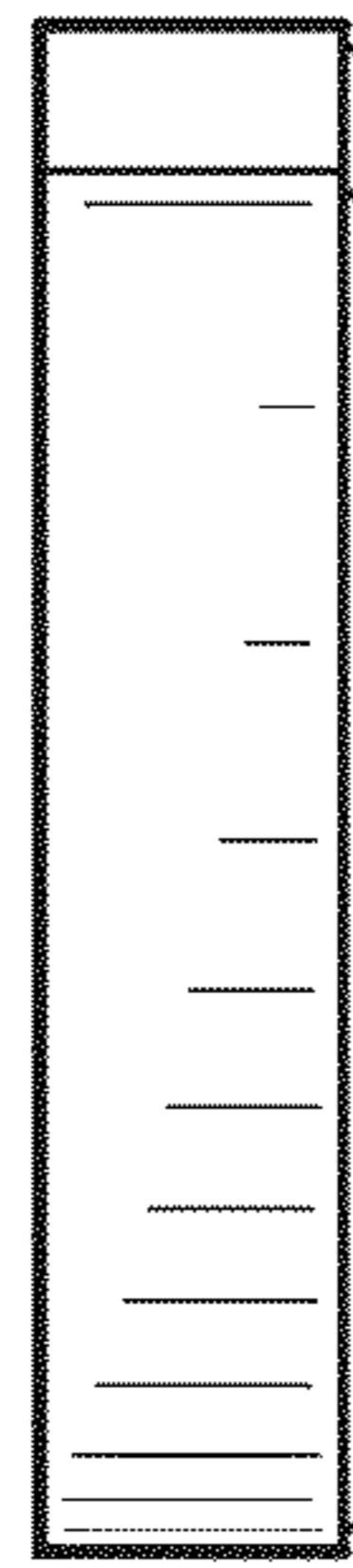
*Fig. 4*



*Fig. 5*



*Fig. 6*



*Fig. 7*