



US00D687281S

(12) **United States Design Patent**  
**Aglassinger**

(10) **Patent No.:** **US D687,281 S**

(45) **Date of Patent:** **\*\* Aug. 6, 2013**

(54) **TOOL ACCESSORY**

(75) Inventor: **Hans-Peter Aglassinger**, Esslingen (DE)

(73) Assignee: **Robert Bosch GmbH**, Stuttgart (DE)

(\*\*) Term: **14 Years**

(21) Appl. No.: **29/407,985**

(22) Filed: **Dec. 6, 2011**

(30) **Foreign Application Priority Data**

Jun. 7, 2011 (EM) ..... 001874330

(51) **LOC (9) Cl.** ..... **08-05**

(52) **U.S. Cl.**  
USPC ..... **D8/70**

(58) **Field of Classification Search**  
USPC ..... D8/5-9, 16, 19, 20, 70; D15/78,  
D15/126, 133, 138, 142; 30/286, 376, 390,  
30/391; 83/675, 676

See application file for complete search history.

(56) **References Cited**

**U.S. PATENT DOCUMENTS**

4,892,022	A *	1/1990	Cotton et al.	83/478
D337,500	S *	7/1993	Hutchings, II	D8/70
5,327,649	A *	7/1994	Skinner	30/124
5,361,501	A *	11/1994	Fajnsztajn	30/391
D382,779	S *	8/1997	Meisner et al.	D8/8
5,737,843	A *	4/1998	Fringer et al.	30/391
5,794,351	A *	8/1998	Campbell et al.	30/390

D400,417	S *	11/1998	Moran, II	D8/70
D421,703	S *	3/2000	Isaksen	D8/70
D461,695	S *	8/2002	Van Wambeke et al.	D8/70
D471,783	S *	3/2003	McAuliffe et al.	D8/66
D572,992	S *	7/2008	Reiling et al.	D8/70
D584,581	S *	1/2009	Bradford	D8/8

\* cited by examiner

*Primary Examiner* — Philip S Hyder

*Assistant Examiner* — Darlington Ly

(74) *Attorney, Agent, or Firm* — Maginot, Moore & Beck

(57) **CLAIM**

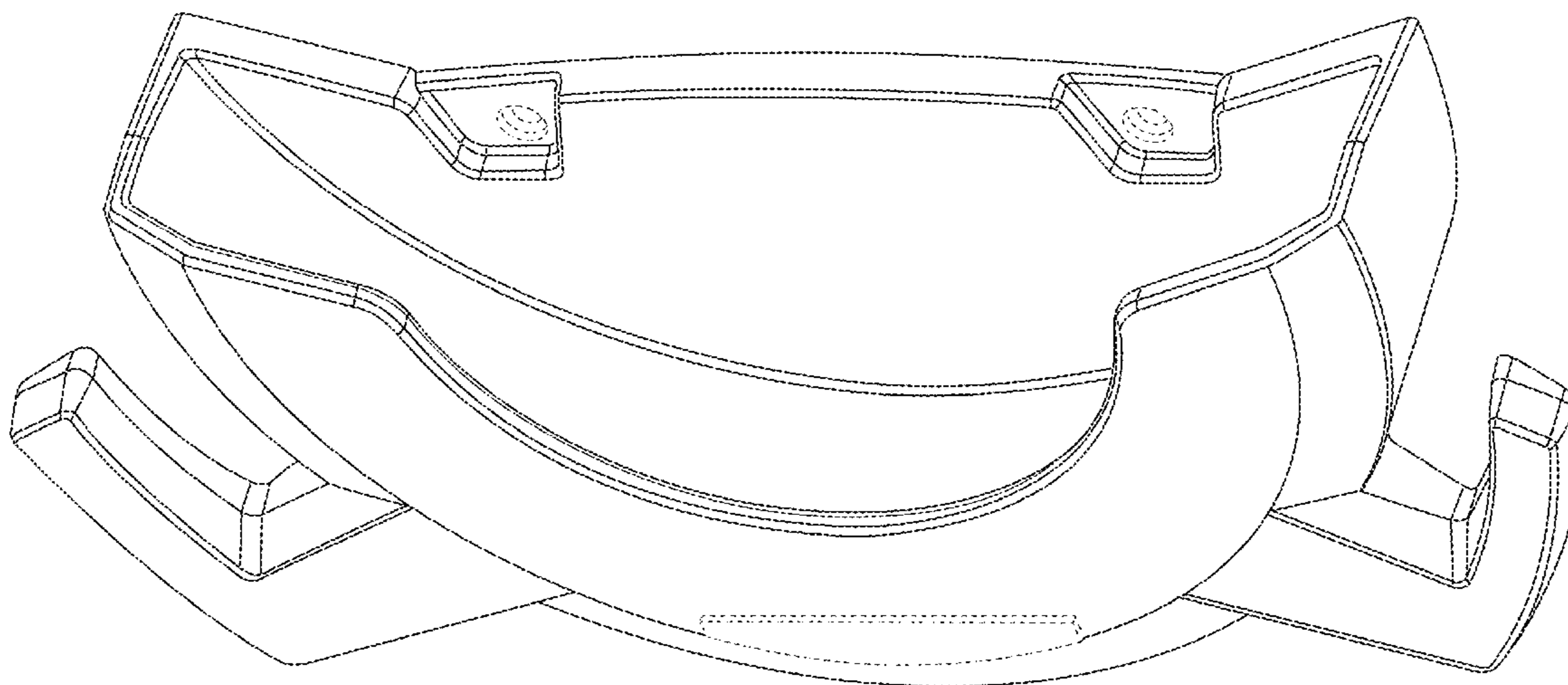
The ornamental design for a tool accessory, as shown and described.

**DESCRIPTION**

FIG. 1 is a perspective view of a tool accessory showing my new design;  
 FIG. 2 is a front elevational view showing the design for the tool accessory of FIG. 1;  
 FIG. 3 is a rear elevational view showing the design for the tool accessory of FIG. 1;  
 FIG. 4 is right side elevational view showing the design for the tool accessory of FIG. 1;  
 FIG. 5 is a left side elevational view showing the design for the tool accessory of FIG. 1;  
 FIG. 6 is a top elevational view showing the design for the tool accessory of FIG. 1; and,  
 FIG. 7 is a bottom elevational view showing the design for the tool accessory of FIG. 1.

The broken line showing of portions of the tool accessory in the drawings is included for illustrative purposes only and forms no part of the claimed design.

**1 Claim, 6 Drawing Sheets**



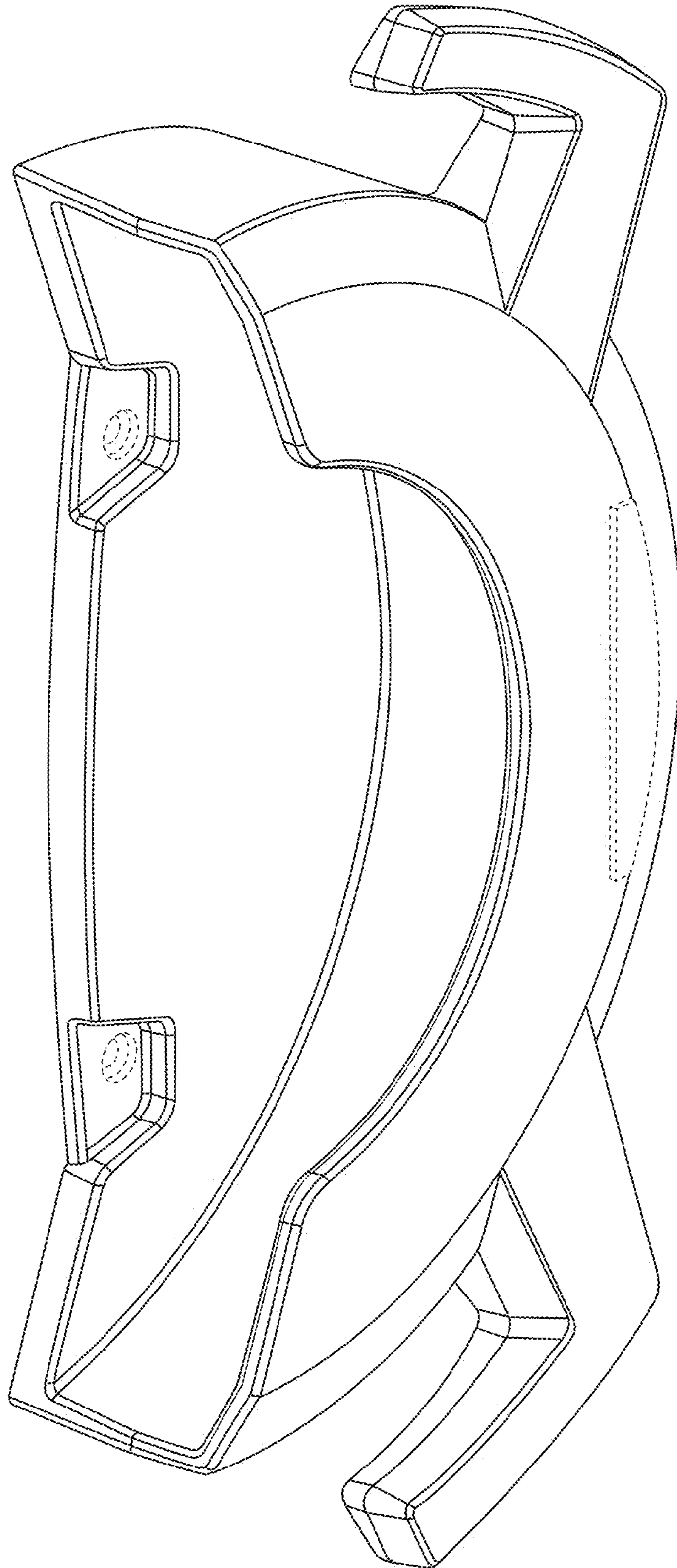


FIG. 1

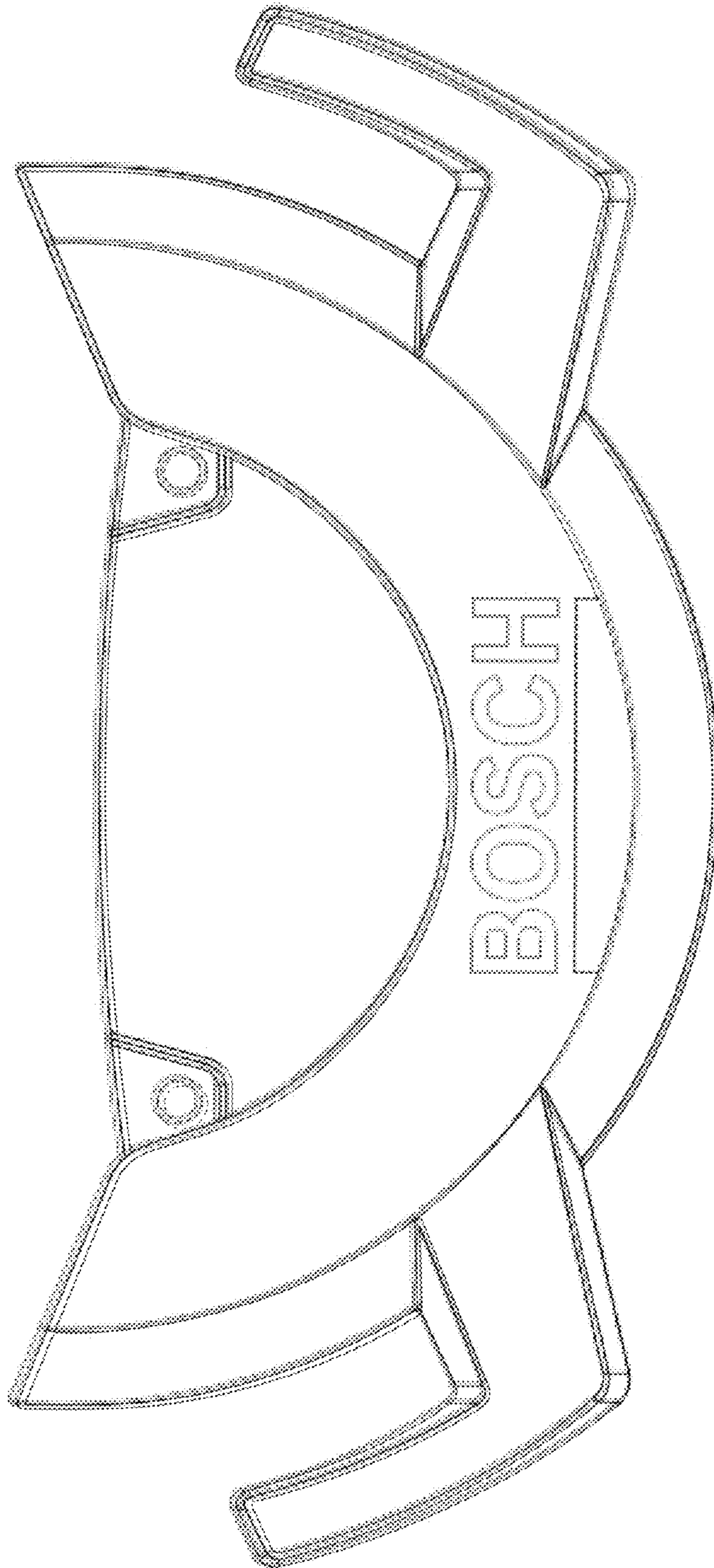


FIG. 2

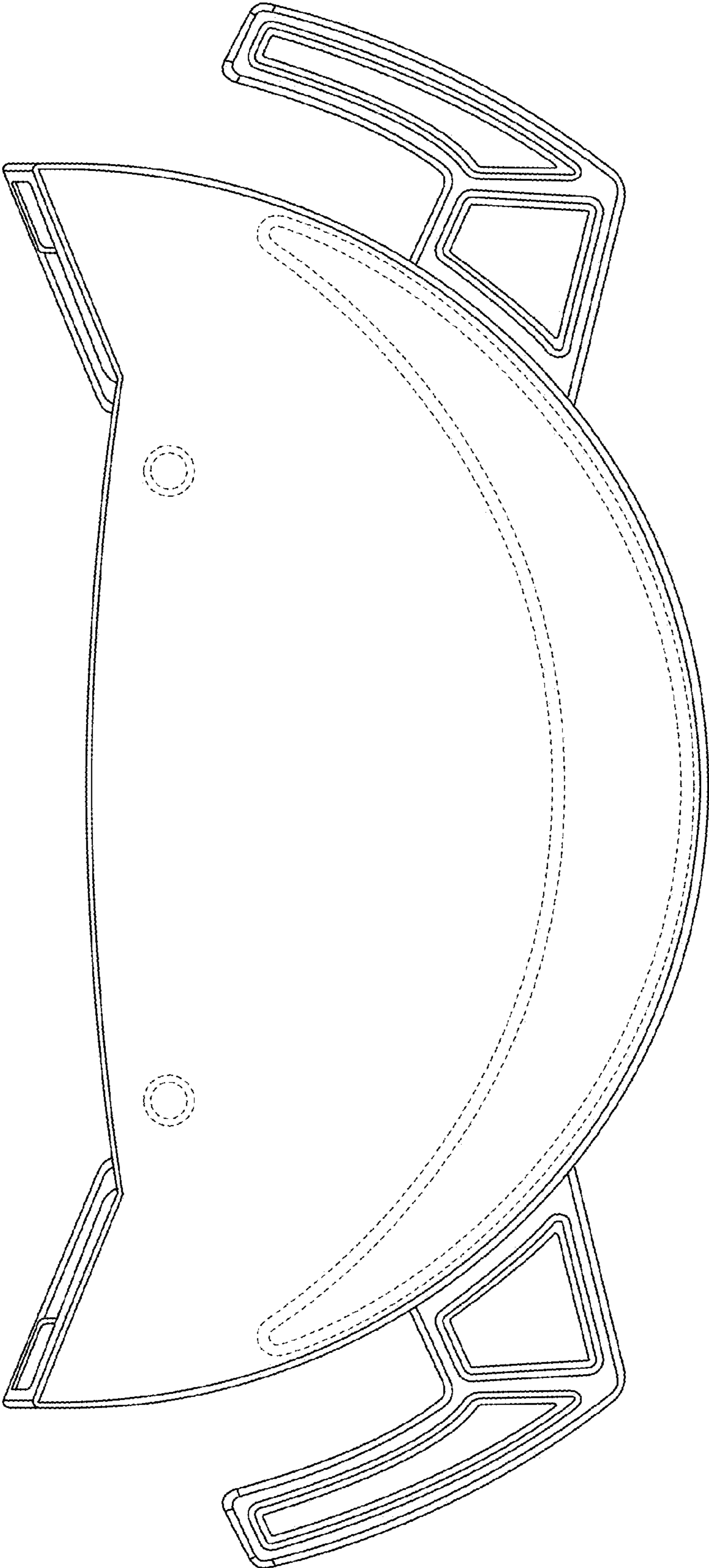


FIG. 3

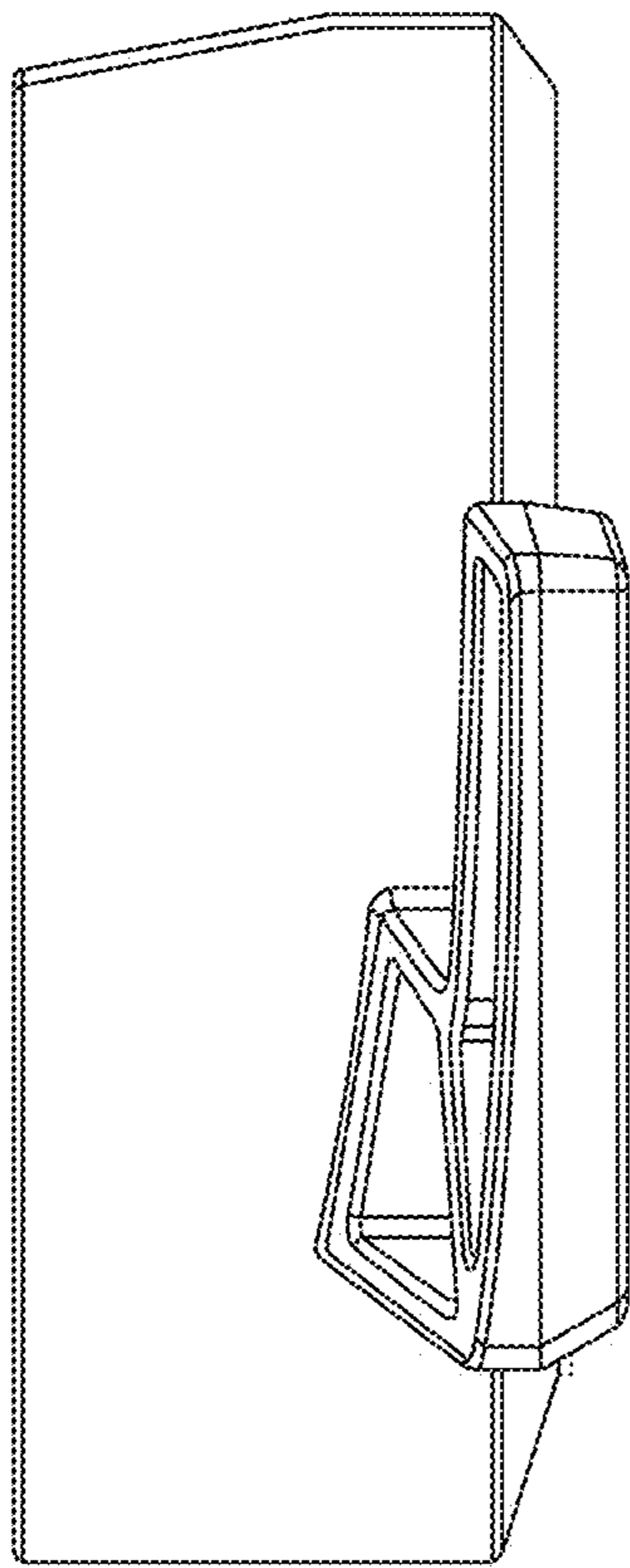


FIG. 4

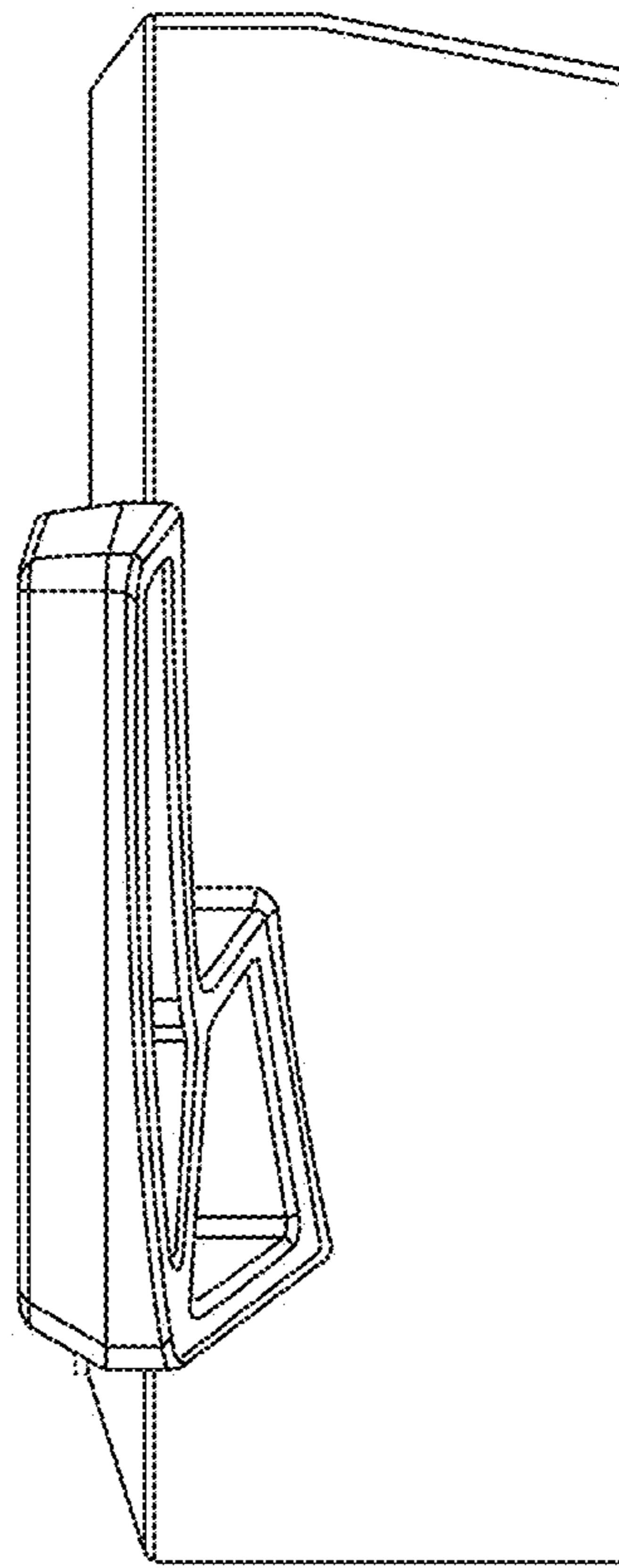


FIG. 5

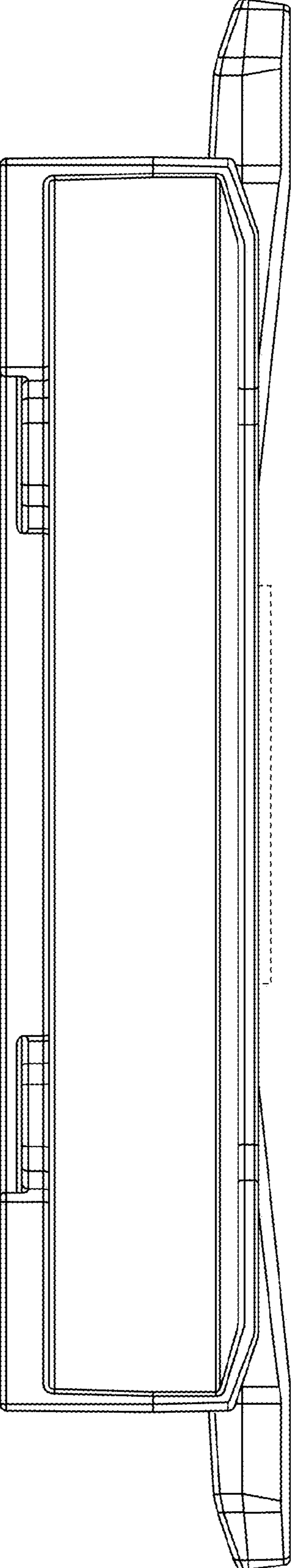


FIG. 6

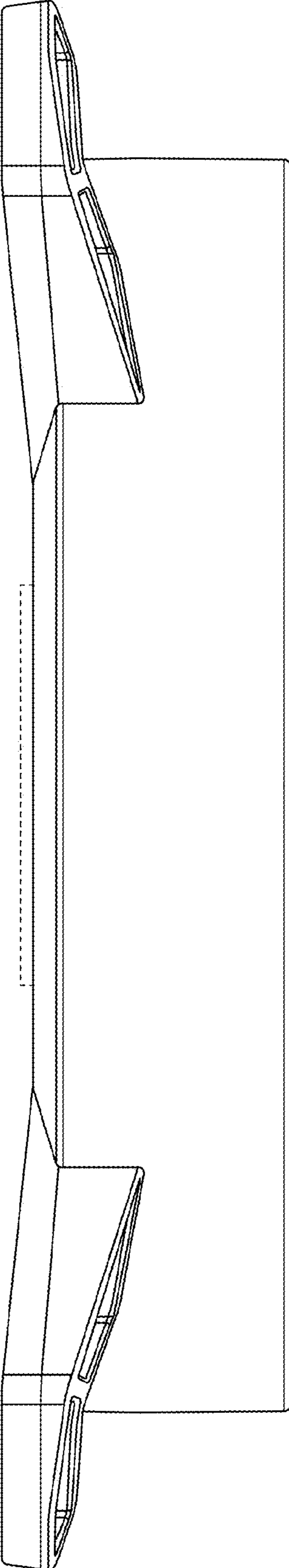


FIG. 7