



US00D687279S

(12) **United States Design Patent**  
**Kuhnle et al.**

(10) **Patent No.:** **US D687,279 S**

(45) **Date of Patent:** **\*\* Aug. 6, 2013**

(54) **HAMMER DRILL**

(75) Inventors: **Axel Kuhnle**, Freiberg A. N. (DE);  
**Carsten Diem**, Ludwigsburg (DE);  
**Hans-Peter Aglassinger**, Esslingen  
(DE); **Patrick Heinen**, Ludwigsburg  
(DE)

(73) Assignee: **Robert Bosch GmbH**, Stuttgart (DE)

(\*\*) Term: **14 Years**

(21) Appl. No.: **29/405,067**

(22) Filed: **Oct. 28, 2011**

(30) **Foreign Application Priority Data**

Apr. 28, 2011 (EM) ..... 001856287

(51) **LOC (9) Cl.** ..... **08-03**

(52) **U.S. Cl.**  
USPC ..... **D8/69**

(58) **Field of Classification Search**  
USPC ..... D8/14.1, 61-70; 81/429, 454-456,  
81/469, 489; 173/104, 114, 168-171, 178,  
173/201, 211, 213, 217; 408/20, 124, 125,  
408/234; 388/809

See application file for complete search history.

(56) **References Cited**

**U.S. PATENT DOCUMENTS**

D447,032 S \* 8/2001 Schoen et al. .... D8/67  
D470,379 S \* 2/2003 Andriolo ..... D8/68  
D502,377 S \* 3/2005 Aglassinger ..... D8/69  
D555,451 S \* 11/2007 Okuda et al. .... D8/69  
D594,304 S \* 6/2009 Aglassinger ..... D8/67  
D595,101 S \* 6/2009 Bast ..... D8/68

D615,838 S \* 5/2010 Aglassinger ..... D8/69  
D618,529 S \* 6/2010 Stirm ..... D8/69  
D625,981 S \* 10/2010 Stirm ..... D8/69  
7,876,004 B2 \* 1/2011 Kuhnle et al. .... 310/50  
D645,318 S \* 9/2011 Taniguchi et al. .... D8/69  
2011/0127056 A1 \* 6/2011 Friedrich et al. .... 173/162.2

**FOREIGN PATENT DOCUMENTS**

DE 102007026106 A1 \* 12/2008

\* cited by examiner

*Primary Examiner* — Darlington Ly

(74) *Attorney, Agent, or Firm* — Maginot, Moore & Beck

(57) **CLAIM**

The ornamental design for a hammer drill, as shown and described.

**DESCRIPTION**

FIG. 1 is a perspective view of a hammer drill showing our new design;

FIG. 2 is right side elevational view showing the design for the hammer drill of FIG. 1;

FIG. 3 is a left side elevational view showing the design for the hammer drill of FIG. 1;

FIG. 4 is a front elevational view showing the design for the hammer drill of FIG. 1;

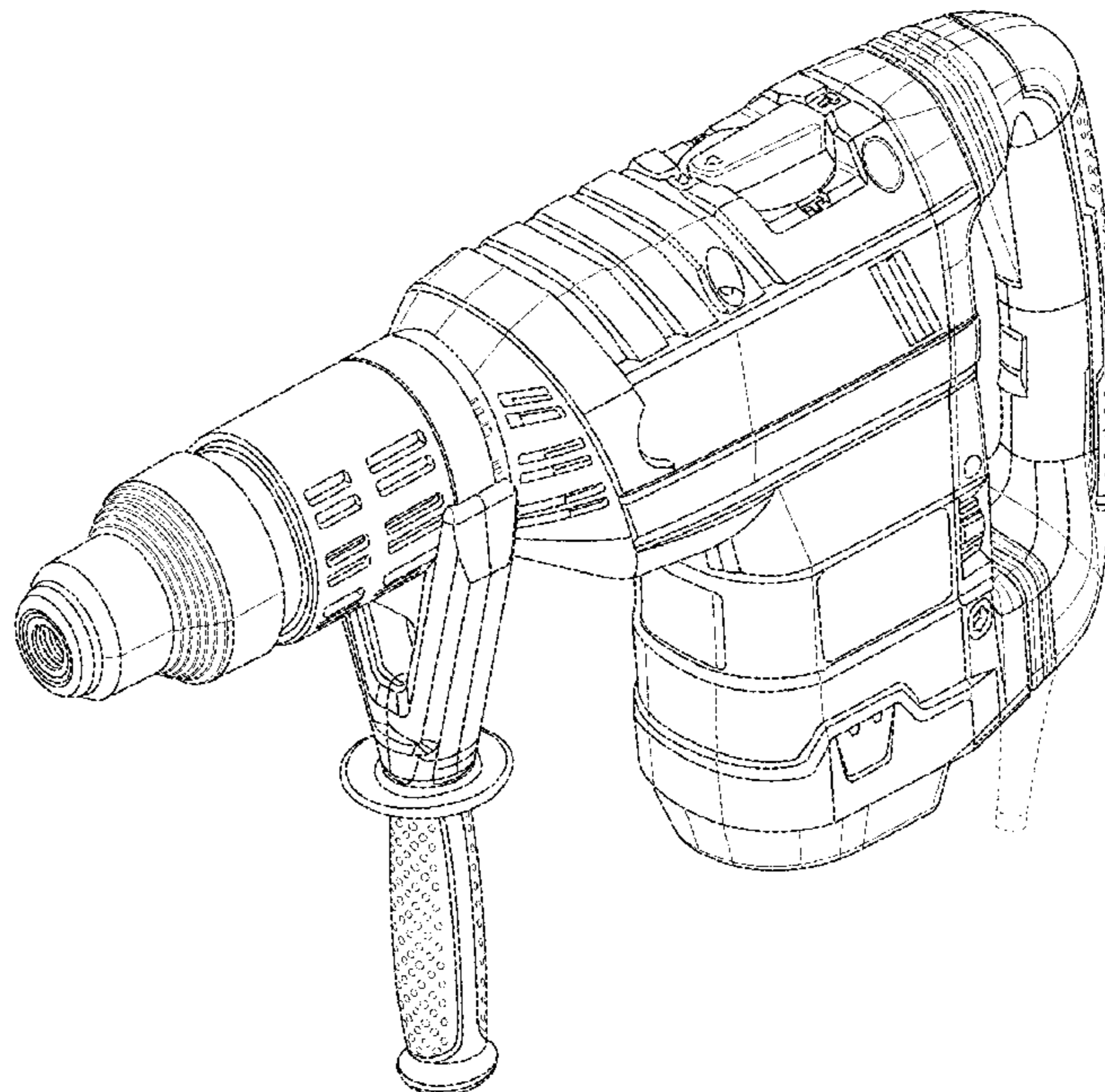
FIG. 5 is a rear elevational view showing the design for the hammer drill of FIG. 1;

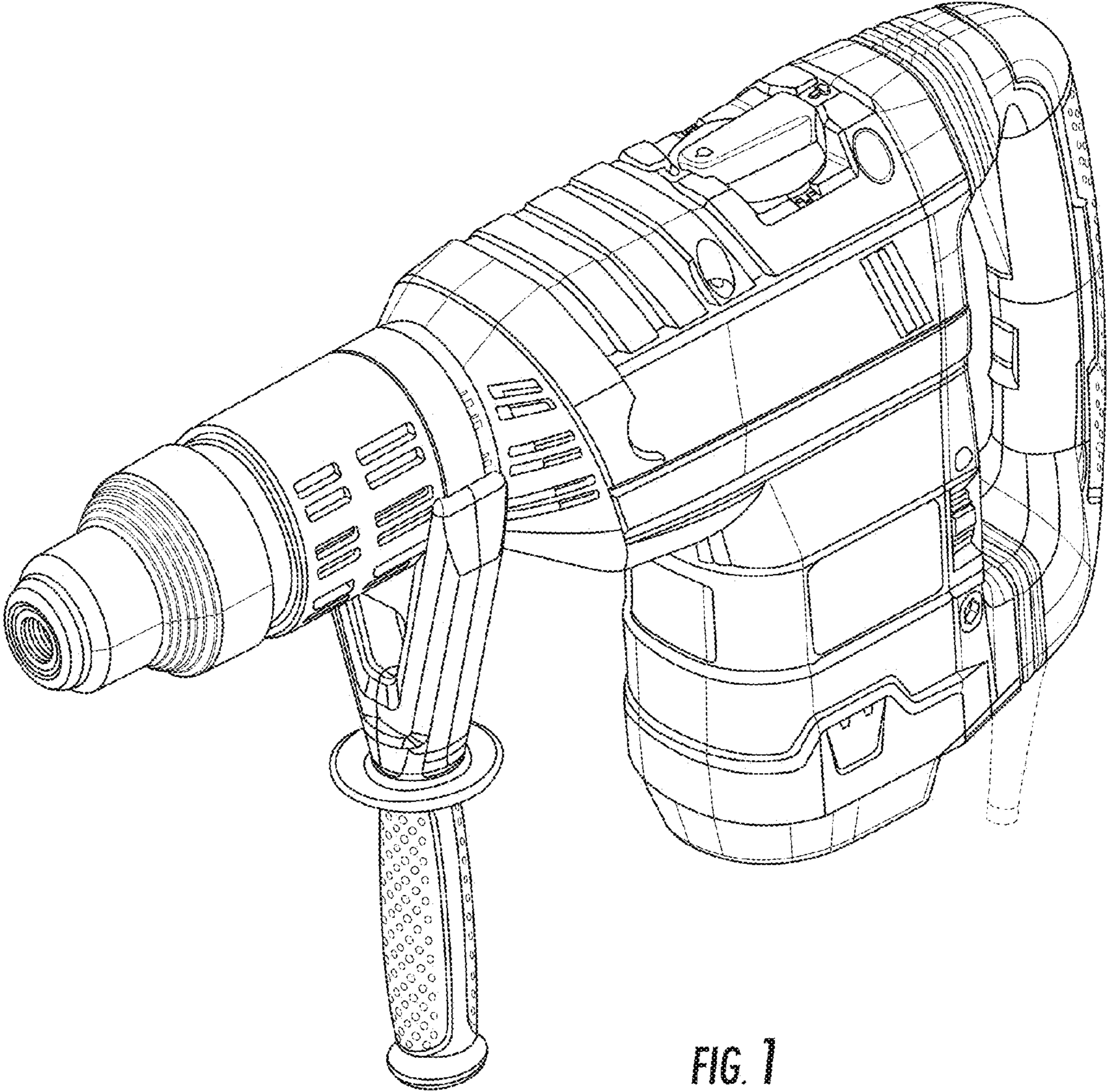
FIG. 6 is a top elevational view showing the design for the hammer drill of FIG. 1; and,

FIG. 7 is a bottom elevational view showing the design for the hammer drill of FIG. 1.

The broken line showing of portions of the hammer drill in the drawings is included for illustrative purposes only and forms no part of the claimed design.

**1 Claim, 7 Drawing Sheets**





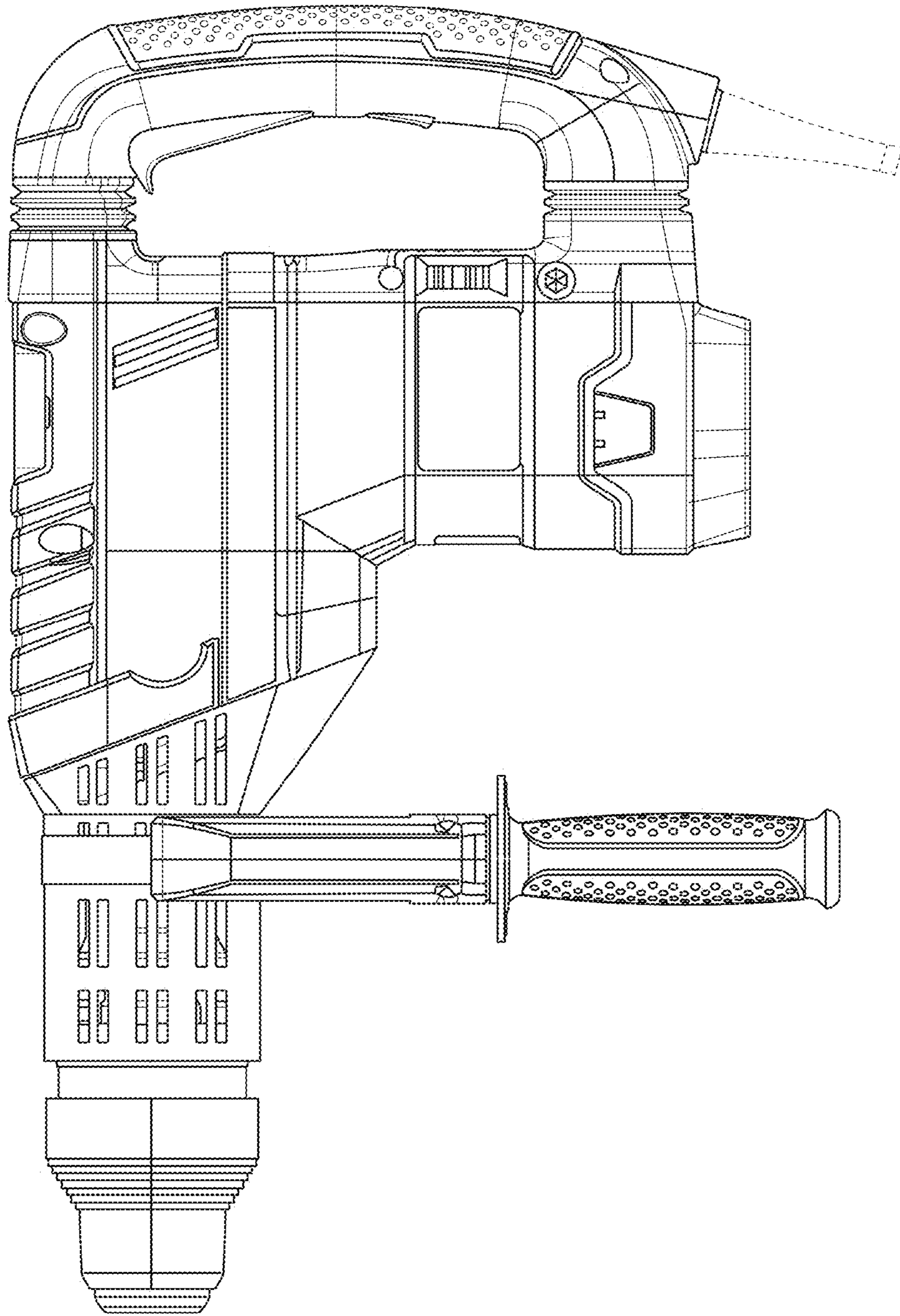


FIG. 2

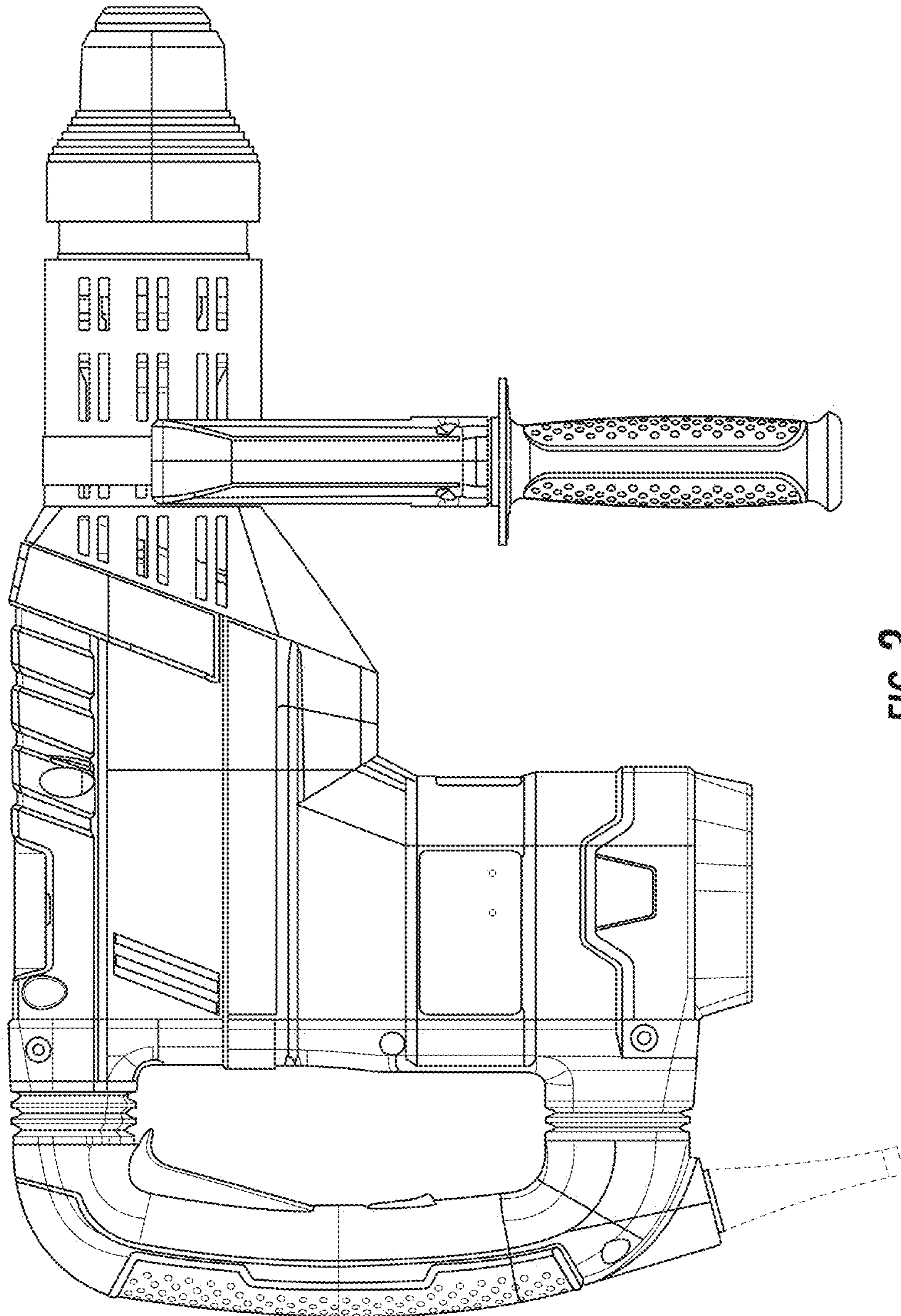


FIG. 3

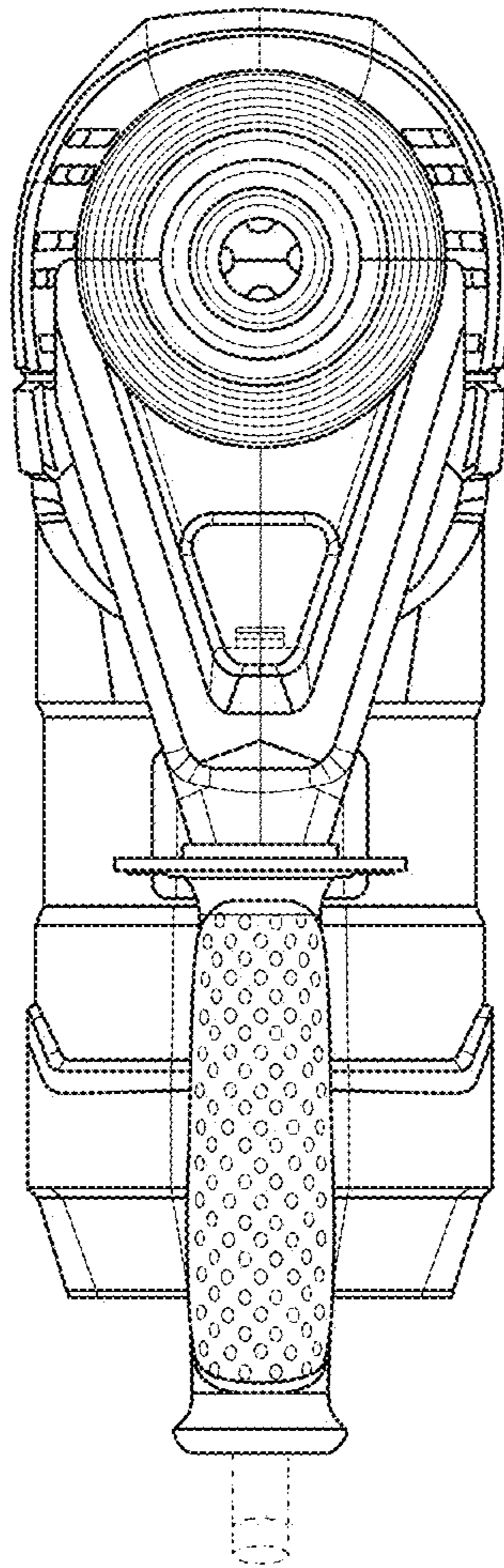


FIG. 4

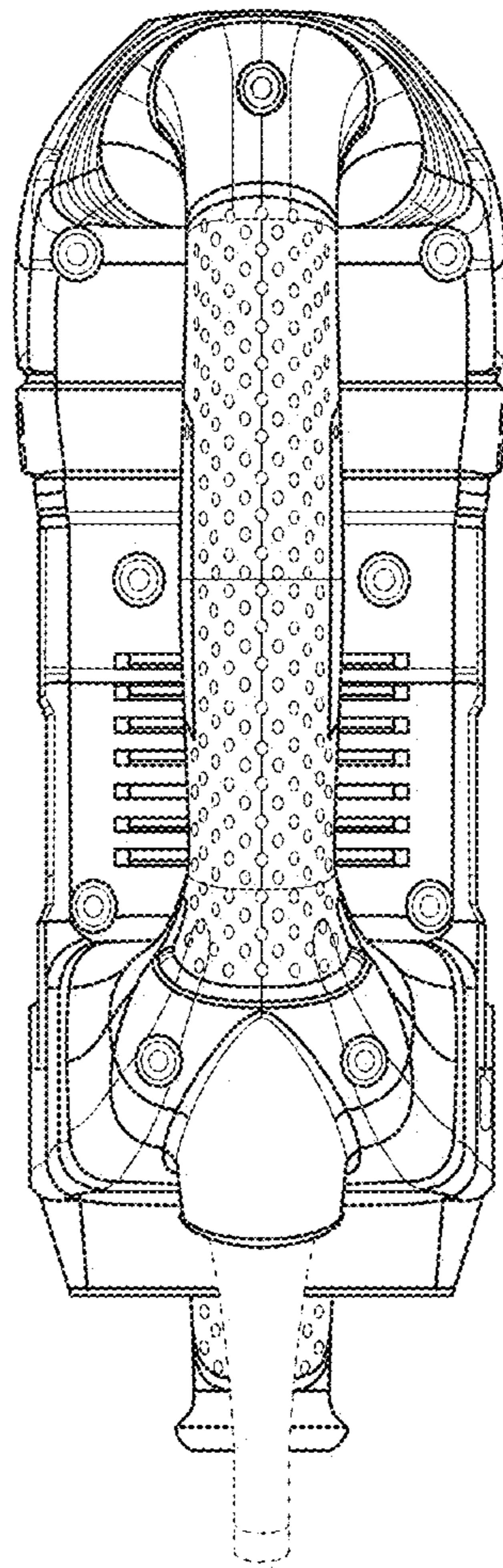


FIG. 5

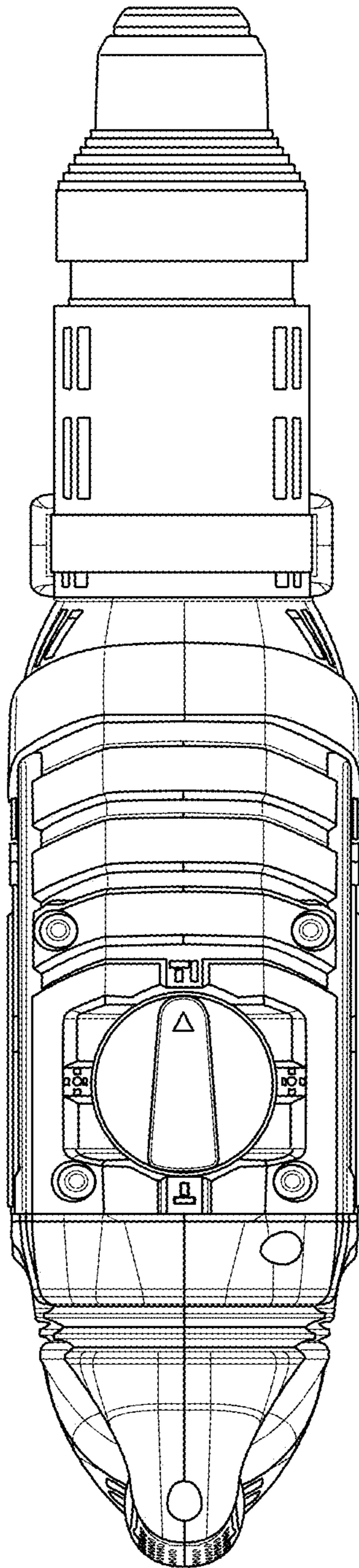


FIG. 6

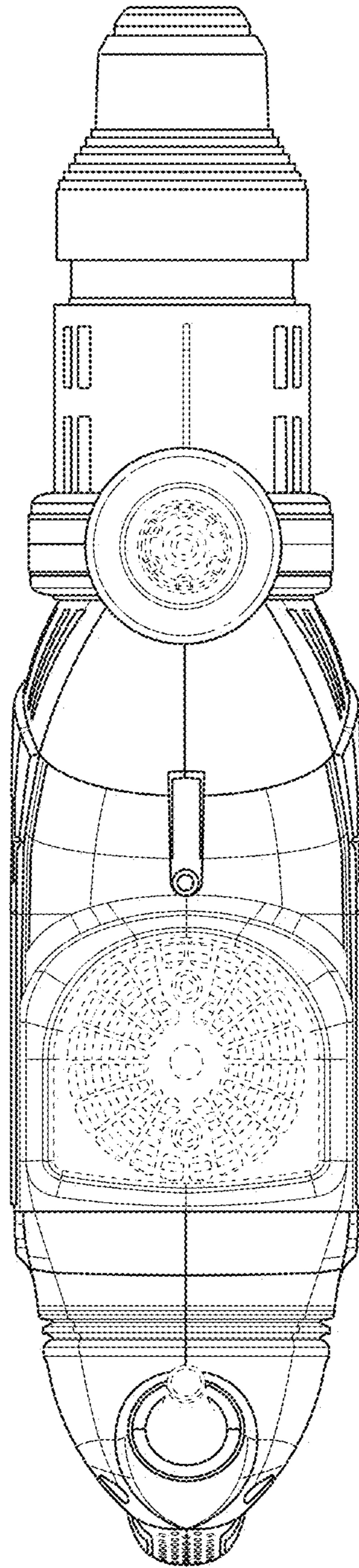


FIG. 7