



US00D687274S

(12) **United States Design Patent**
Onischuk

(10) **Patent No.:** **US D687,274 S**

(45) **Date of Patent:** **** Aug. 6, 2013**

(54) **CARPET SEAM WEIGHT**

(76) Inventor: **Christopher Onischuk**, Elmwood Park,
IL (US)

(**) Term: **14 Years**

(21) Appl. No.: **29/418,795**

(22) Filed: **Apr. 20, 2012**

(51) **LOC (9) Cl.** **08-05**

(52) **U.S. Cl.**
USPC **D8/15**

(58) **Field of Classification Search**
USPC D8/98, 90, 88, 47, 15, 105; 7/103; 492/13;
470/209; 294/8.6; 16/404, 403; 156/579
See application file for complete search history.

(56) **References Cited**

U.S. PATENT DOCUMENTS

2,514,334 A * 7/1950 Niedermeyer 100/265
D401,821 S * 12/1998 Gramera D8/15

OTHER PUBLICATIONS

<http://www.manleytools.net/products.html> Downloaded From the
Internet Mar. 21, 2013.*

<http://www.traxxcorp.com/products/traxx-tools/fusion-seam-weight/>
Downloaded From the Internet Mar. 22, 2013.*

* cited by examiner

Primary Examiner — Susan Bennett Hattan

(74) *Attorney, Agent, or Firm* — Niro, Haller & Niro

(57) **CLAIM**

The ornamental design for a carpet seam weight, as shown and described.

DESCRIPTION

FIG. 1 is a top perspective view of an embodiment of the carpet seam weight attached to a hole plate. The hole plate is depicted in broken lines, is environmental, and forms no part of the claimed design.

FIG. 2 is a top perspective view of the thereof showing the carpet seam weight removed from, and above, the hole plate. The hole plate is depicted in broken lines, is environmental, and forms no part of the claimed design.

FIG. 3 is a side view of the carpet seam weight.

FIG. 4 is a top view thereof.

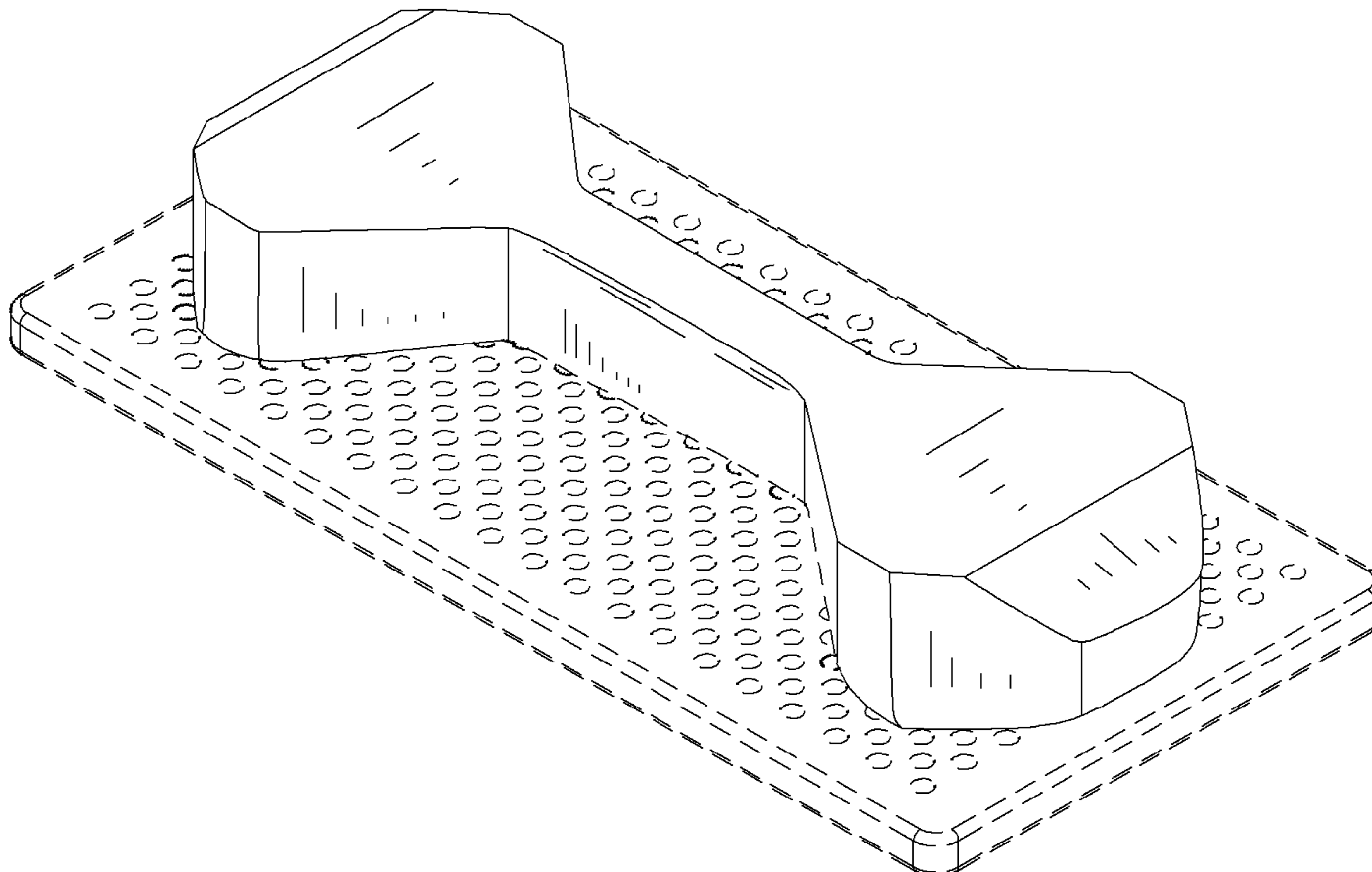
FIG. 5 is an end side view thereof; and,

FIG. 6 is a bottom view thereof.

The carpet seam weight is symmetric with respect to the ends and sides. Both end views are identical, and both side views are identical.

Structures shown in broken lines form no part of the claimed design.

1 Claim, 6 Drawing Sheets



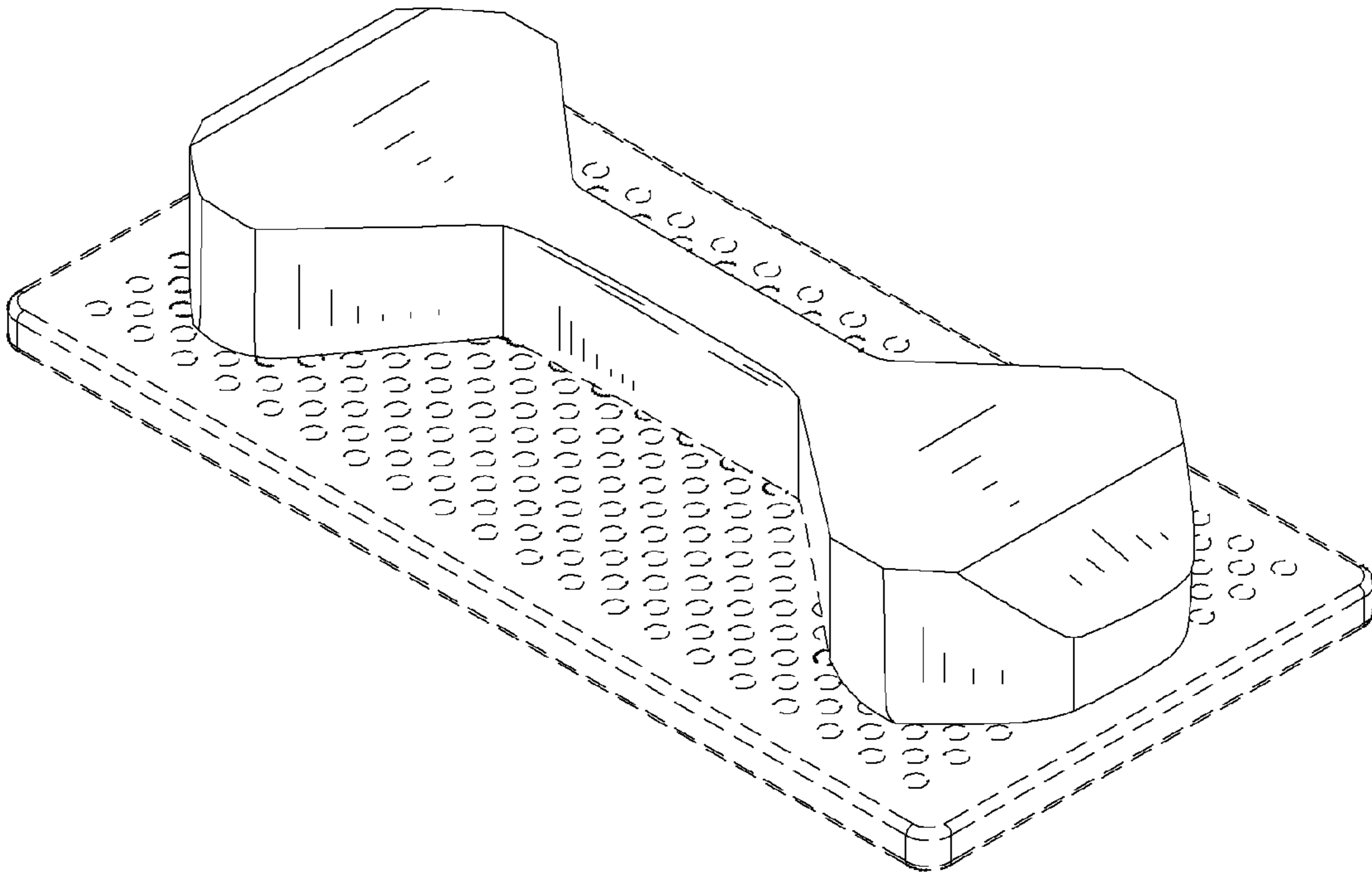


FIG. 1

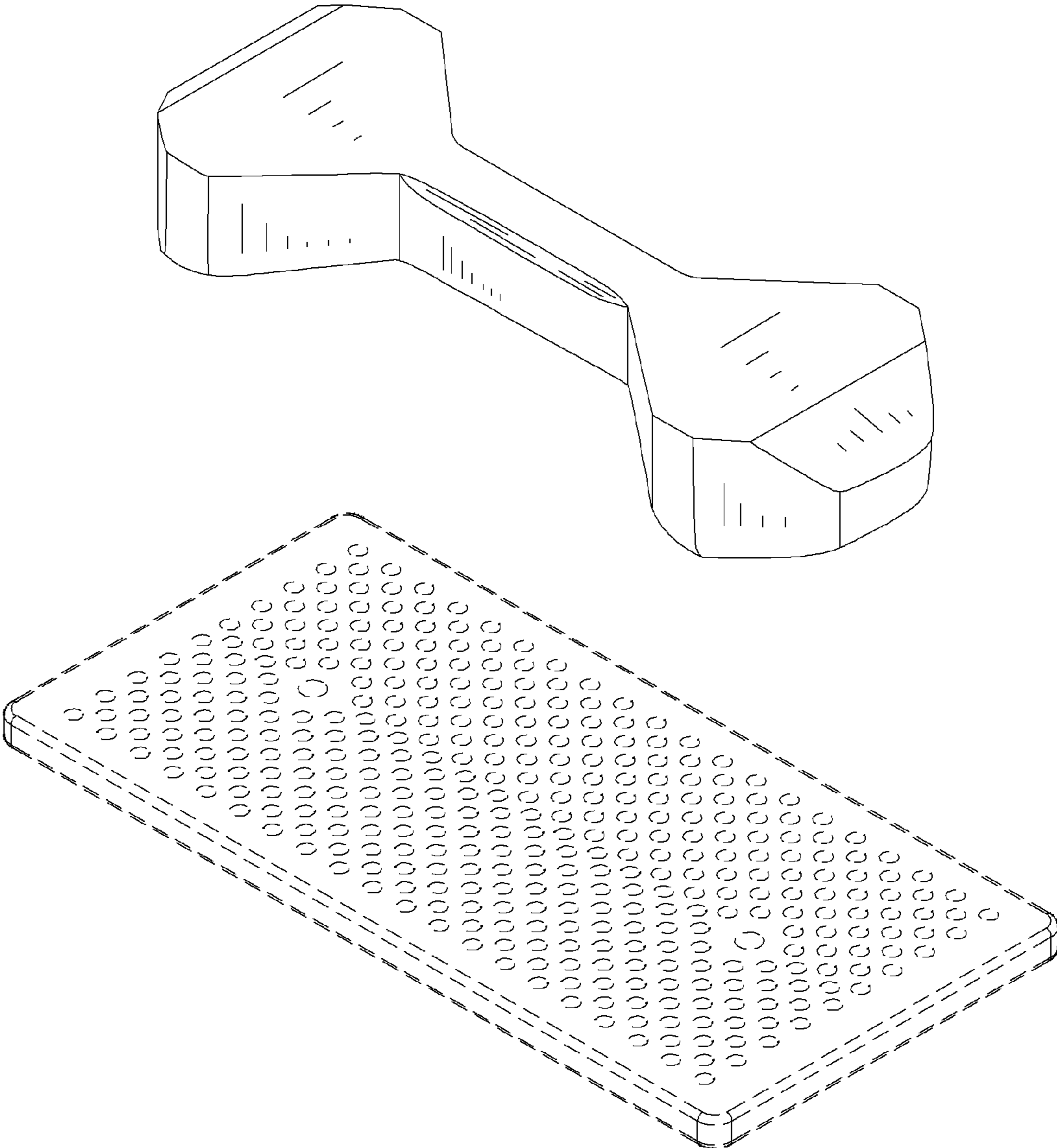


FIG. 2

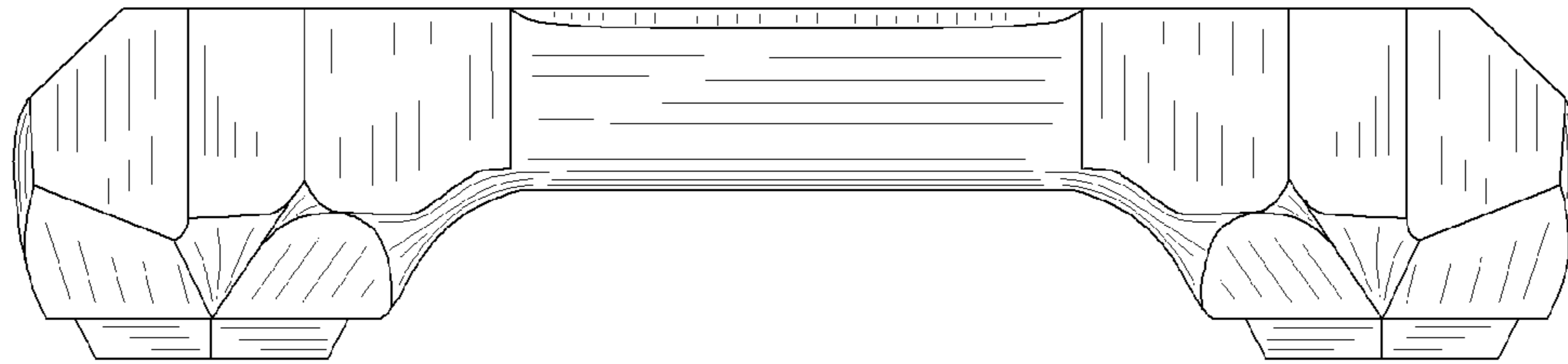


FIG. 3

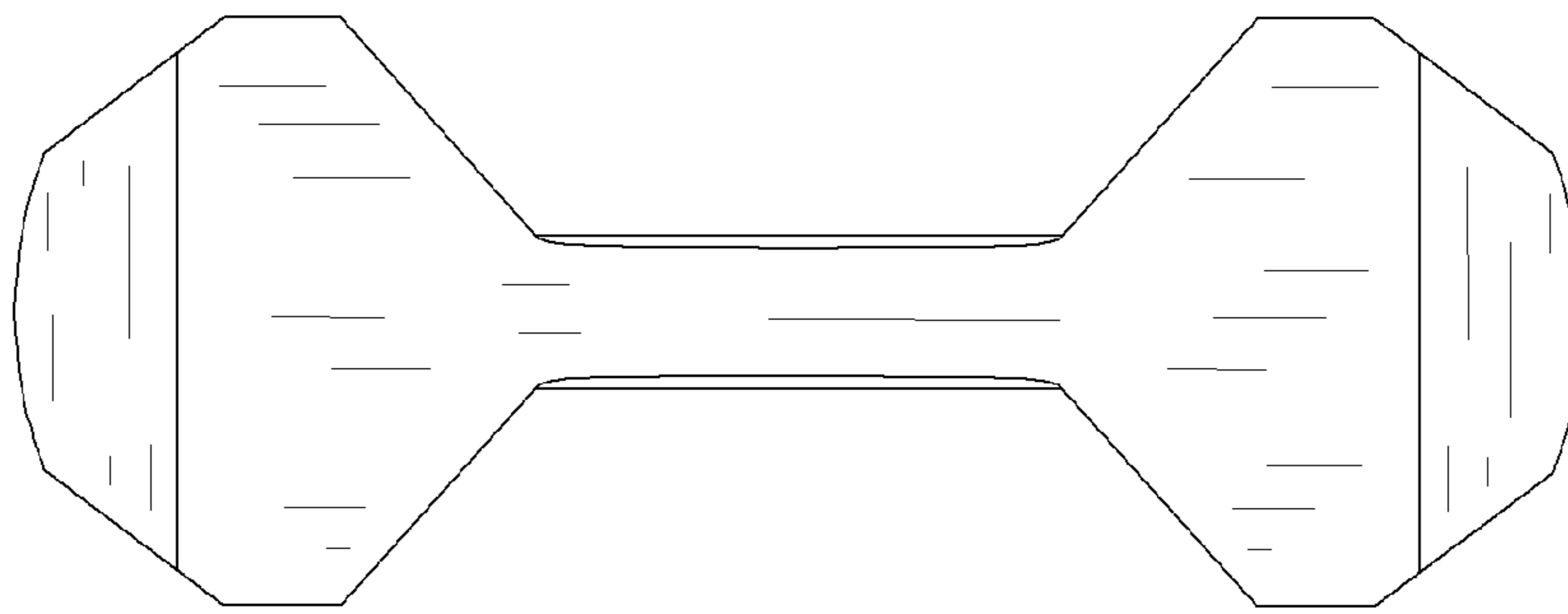


FIG. 4

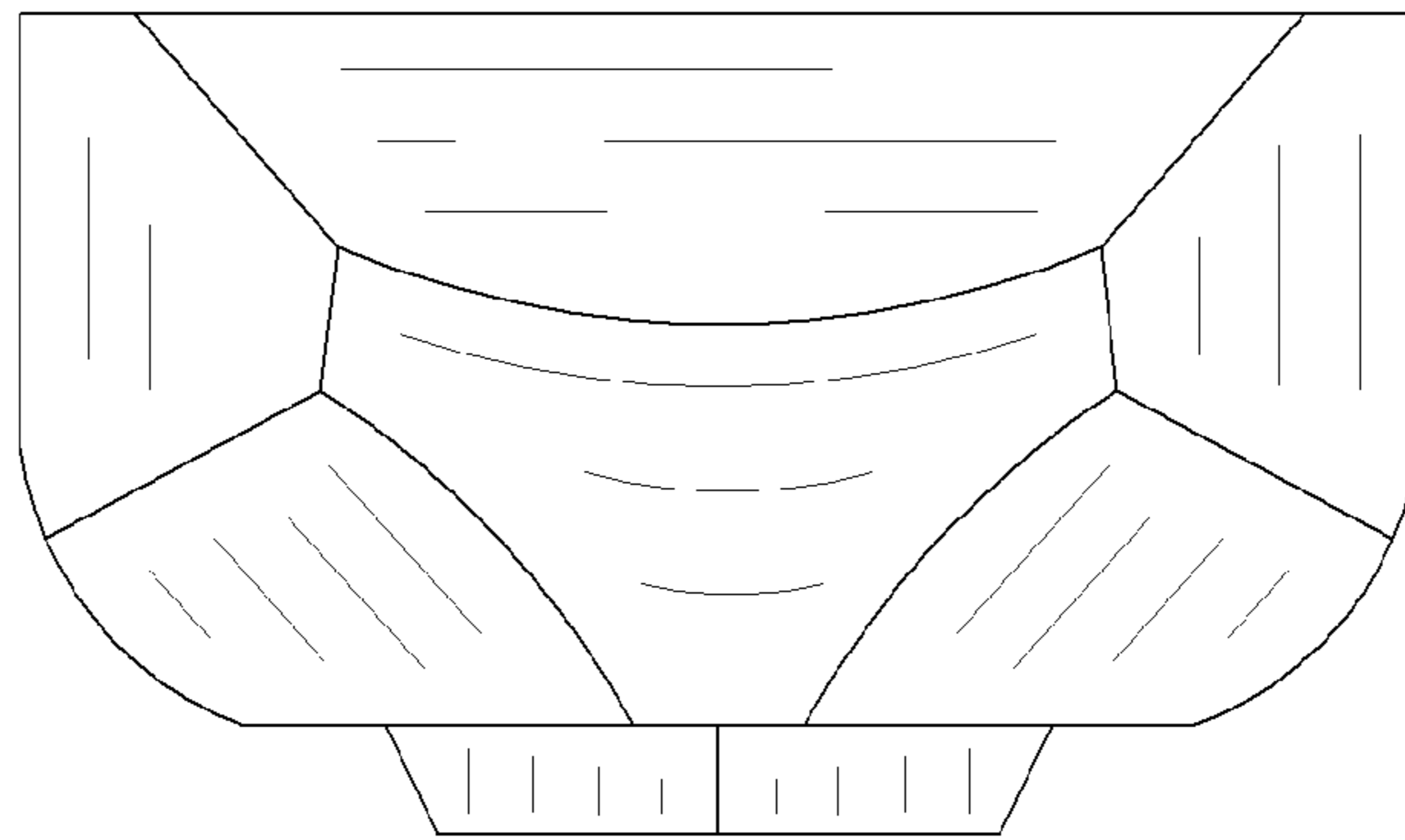


FIG. 5

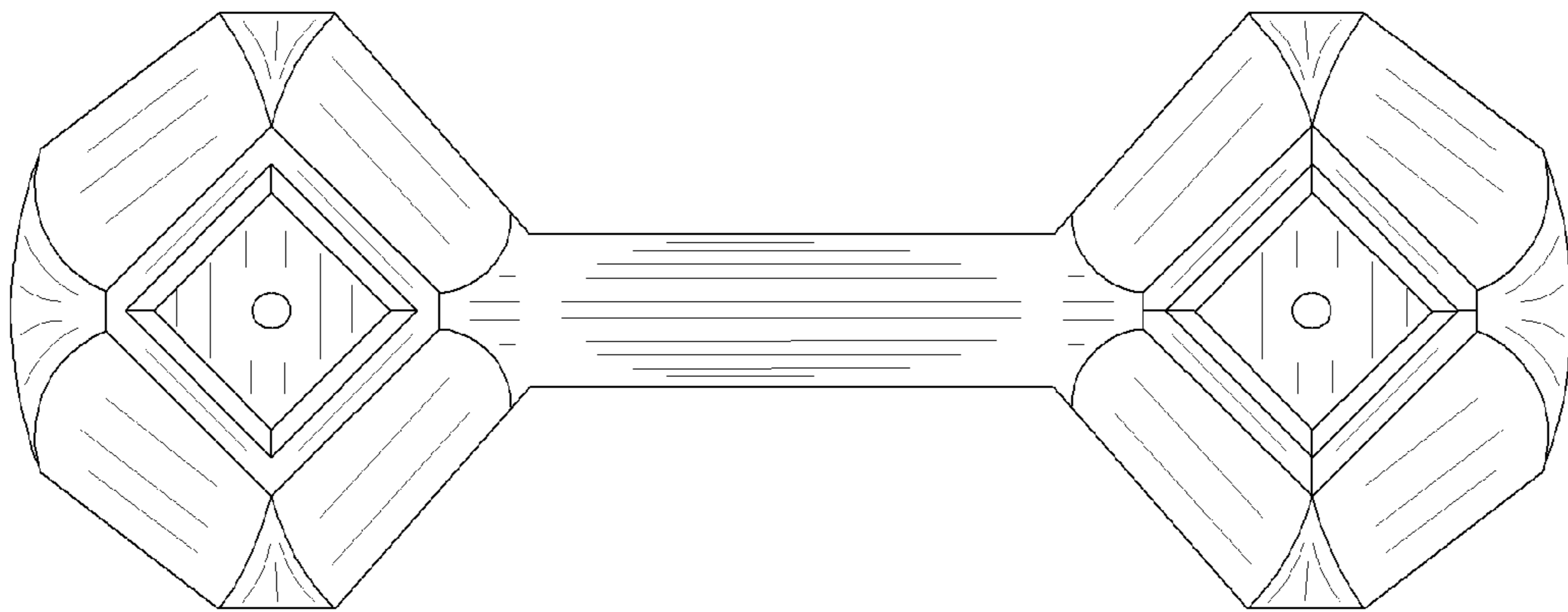


FIG. 6