



US00D687273S

(12) **United States Design Patent**  
**Breitenmoser et al.**

(10) **Patent No.:** **US D687,273 S**  
(45) **Date of Patent:** **\*\* Aug. 6, 2013**

(54) **DISPENSING DEVICE**

(75) Inventors: **Remo Breitenmoser**, Ebnat-Kappel (CH); **Enrico Baldelli**, Altdorf (CH)

(73) Assignee: **Sulzer Mixpac AG**, Haag (CH)

(\*\*) Term: **14 Years**

(21) Appl. No.: **29/414,482**

(22) Filed: **Feb. 29, 2012**

(30) **Foreign Application Priority Data**

Aug. 31, 2011 (CH) ..... 1382/89

(51) **LOC (9) Cl.** ..... **08-05**

(52) **U.S. Cl.**  
USPC ..... **D8/14.1**; D8/29.1

(58) **Field of Classification Search**  
USPC ..... D8/14.1, 29.1, 30, 61, 68; D15/144.1, D15/145; D23/213, 226; D24/108, 113; 219/221, 227, 229; 222/325, 326, 386; 239/525, 239/526; 604/181  
See application file for complete search history.

(56) **References Cited**

**U.S. PATENT DOCUMENTS**

4,948,944 A \* 8/1990 Oster ..... 219/227  
D341,760 S \* 11/1993 Armbruster et al. .... D8/68  
D343,103 S \* 1/1994 Bunce ..... D8/14.1  
D383,839 S \* 9/1997 Sullivan ..... D24/113

D404,622 S \* 1/1999 Singleton ..... D8/29.1  
5,881,923 A \* 3/1999 Bokros ..... 222/146.5  
D414,663 S \* 10/1999 Bokros ..... D8/30  
D459,786 S \* 7/2002 Sweeton ..... D23/226  
D474,949 S \* 5/2003 Schaffeld et al. .... D8/14.1  
D511,446 S \* 11/2005 Pereira et al. .... D8/14.1  
D514,408 S \* 2/2006 Melendy et al. .... D8/30  
D608,856 S \* 1/2010 Dammkoehler ..... D23/223  
D640,368 S \* 6/2011 Fujioka et al. .... D24/113

\* cited by examiner

*Primary Examiner* — Philip S Hyder

*Assistant Examiner* — Darlington Ly

(74) *Attorney, Agent, or Firm* — K&L Gates LLP

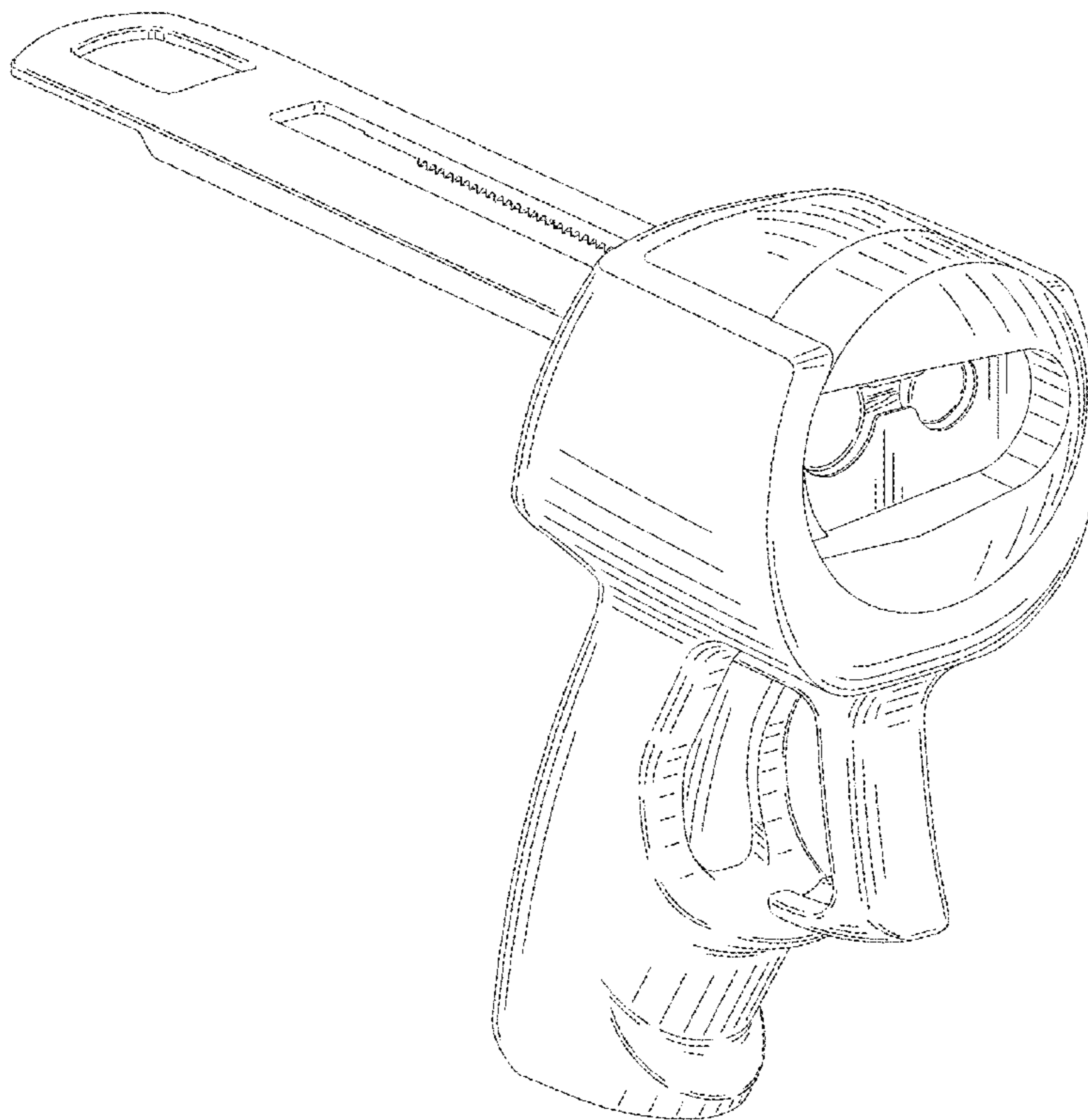
(57) **CLAIM**

The ornamental design for a dispensing device, as shown and described herein.

**DESCRIPTION**

FIG. 1 illustrates a front perspective view of the dispensing device showing our new design;  
FIG. 2 illustrates another front perspective view thereof;  
FIG. 3 illustrates a back elevation view thereof;  
FIG. 4 illustrates a front elevation view thereof;  
FIG. 5 illustrates a left side elevation view thereof;  
FIG. 6 illustrates a right side elevation view thereof;  
FIG. 7 illustrates a top plan view thereof; and,  
FIG. 8 illustrates a bottom base view thereof.  
The broken lines in the drawings illustrate environmental structure that forms no part of the claimed design.

**1 Claim, 7 Drawing Sheets**



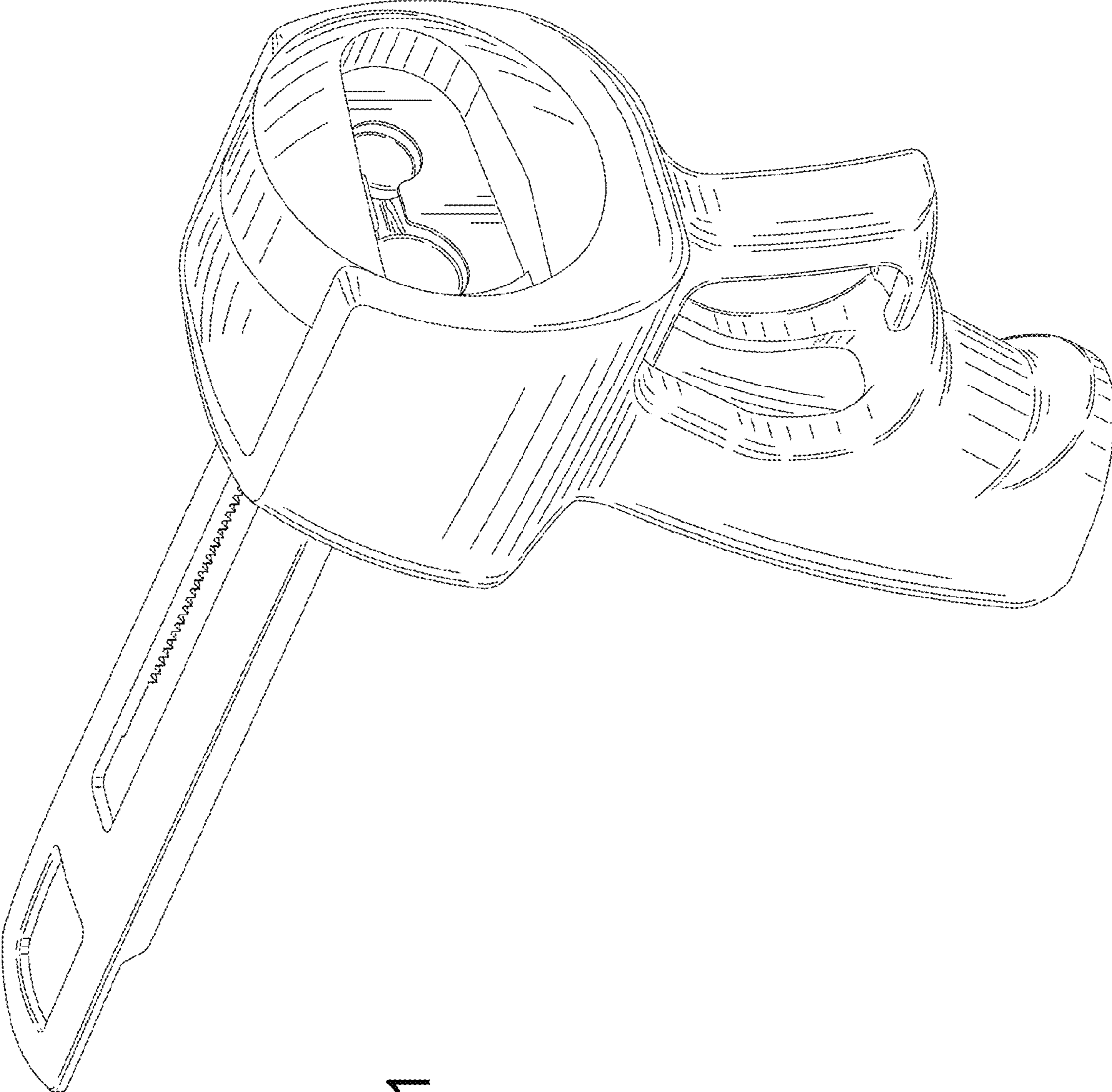


FIG. 1

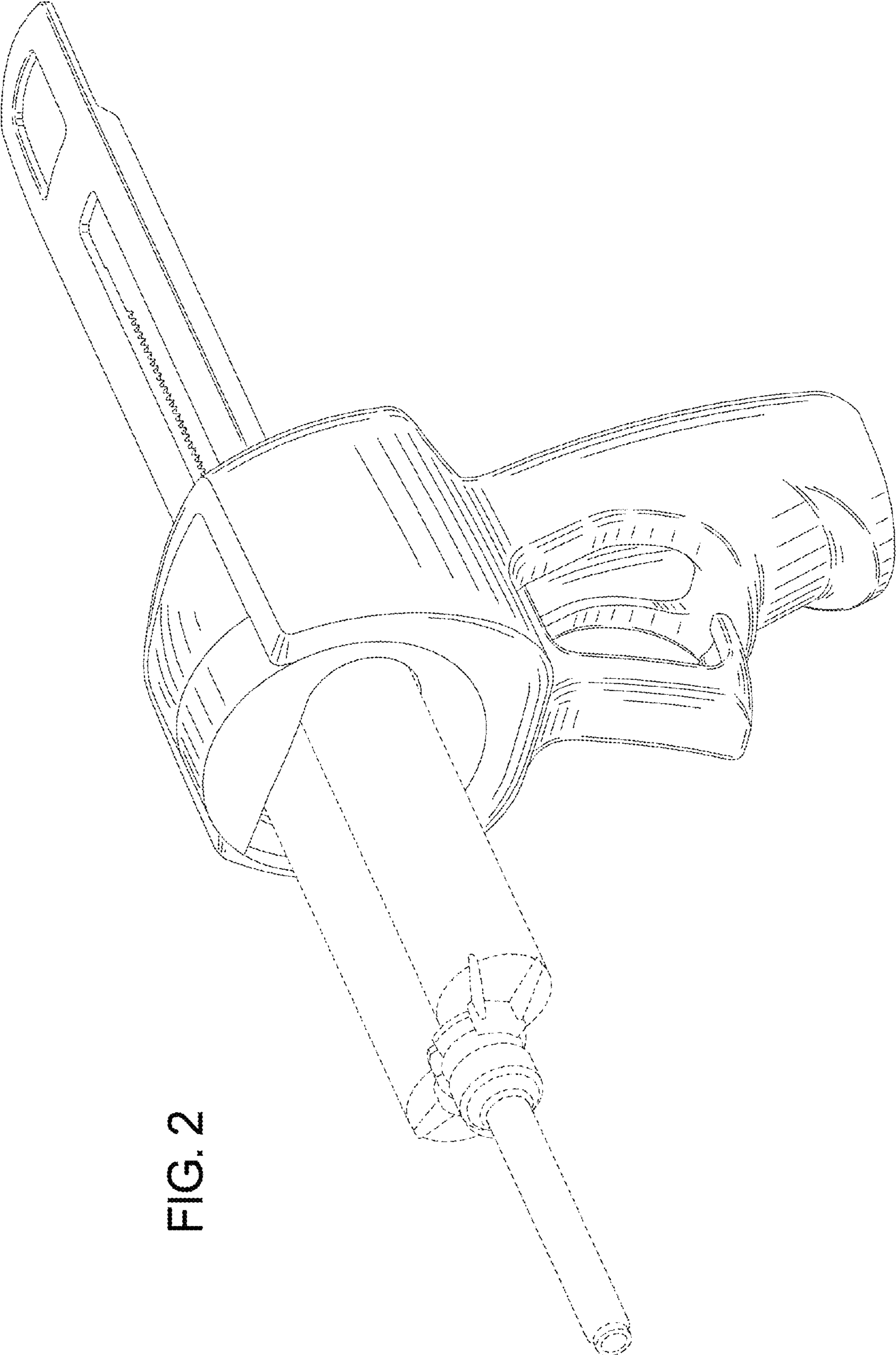


FIG. 2

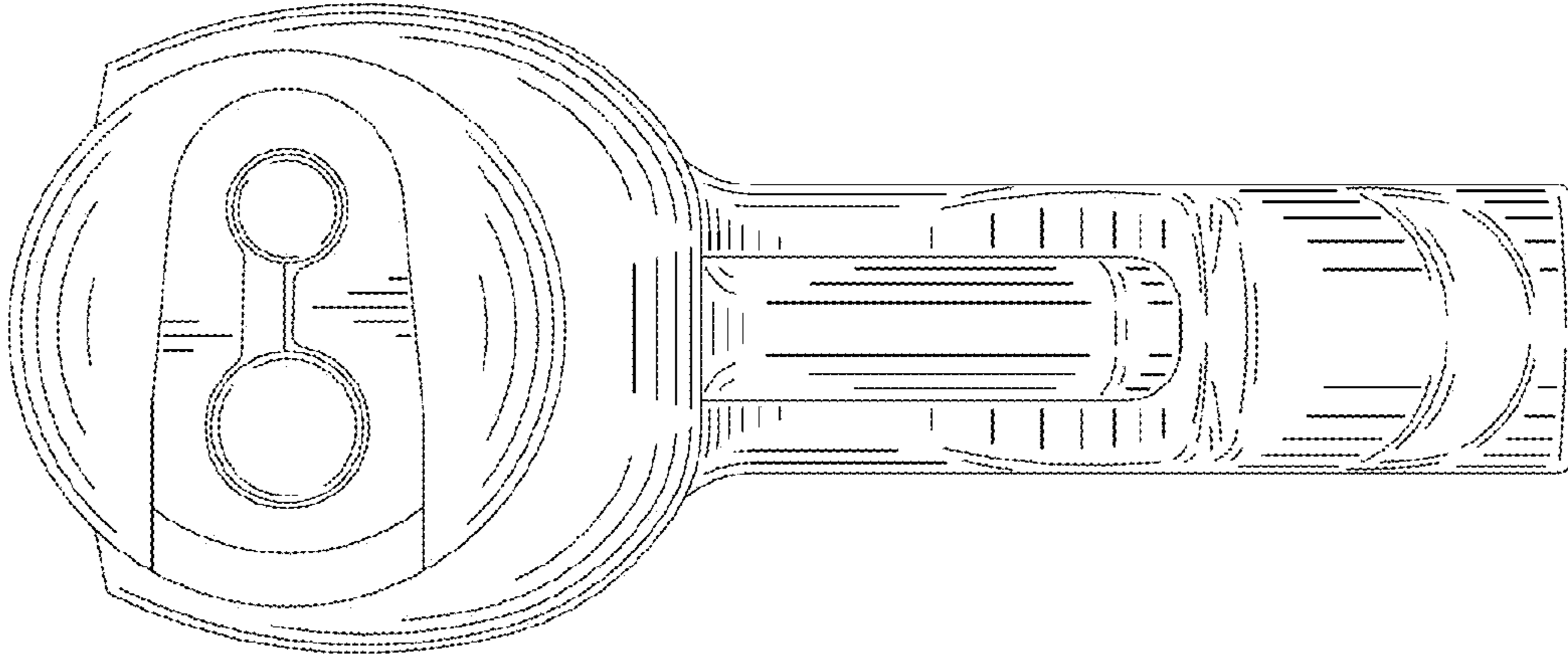


FIG. 4

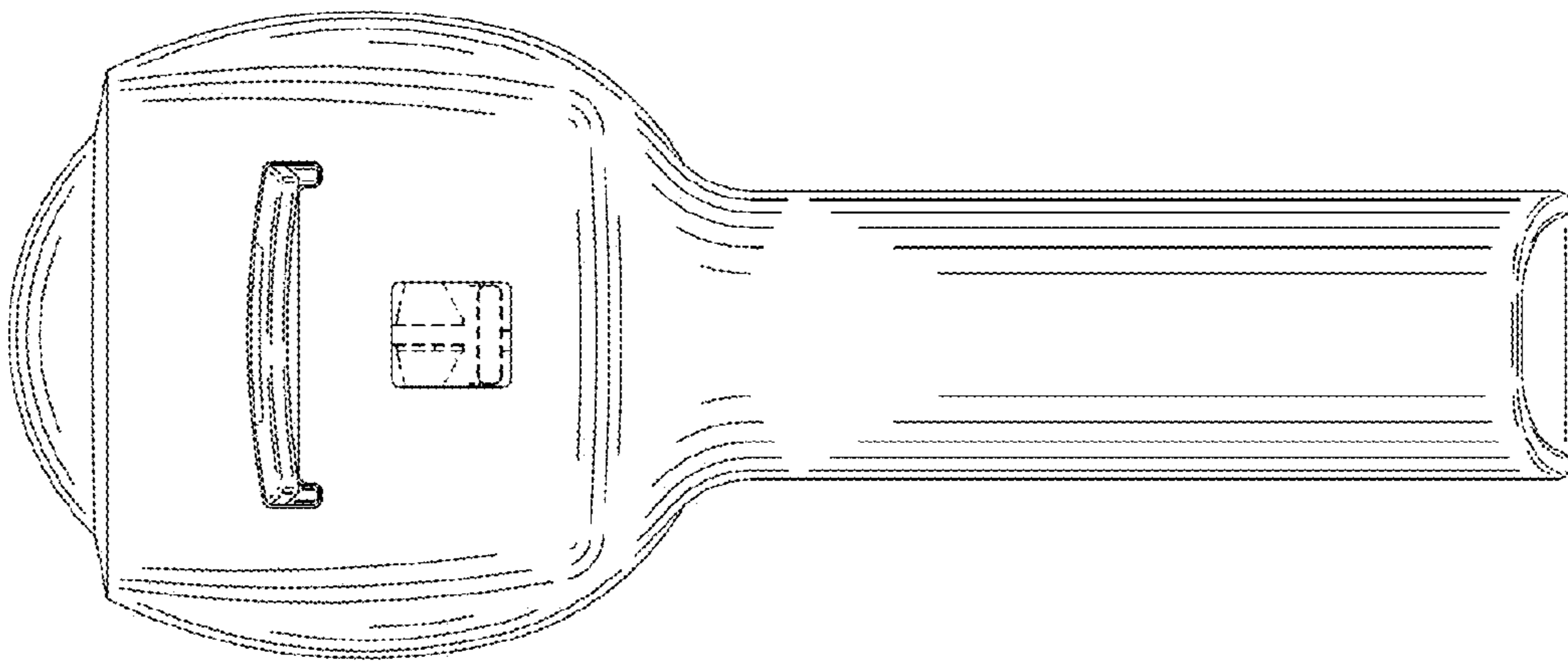
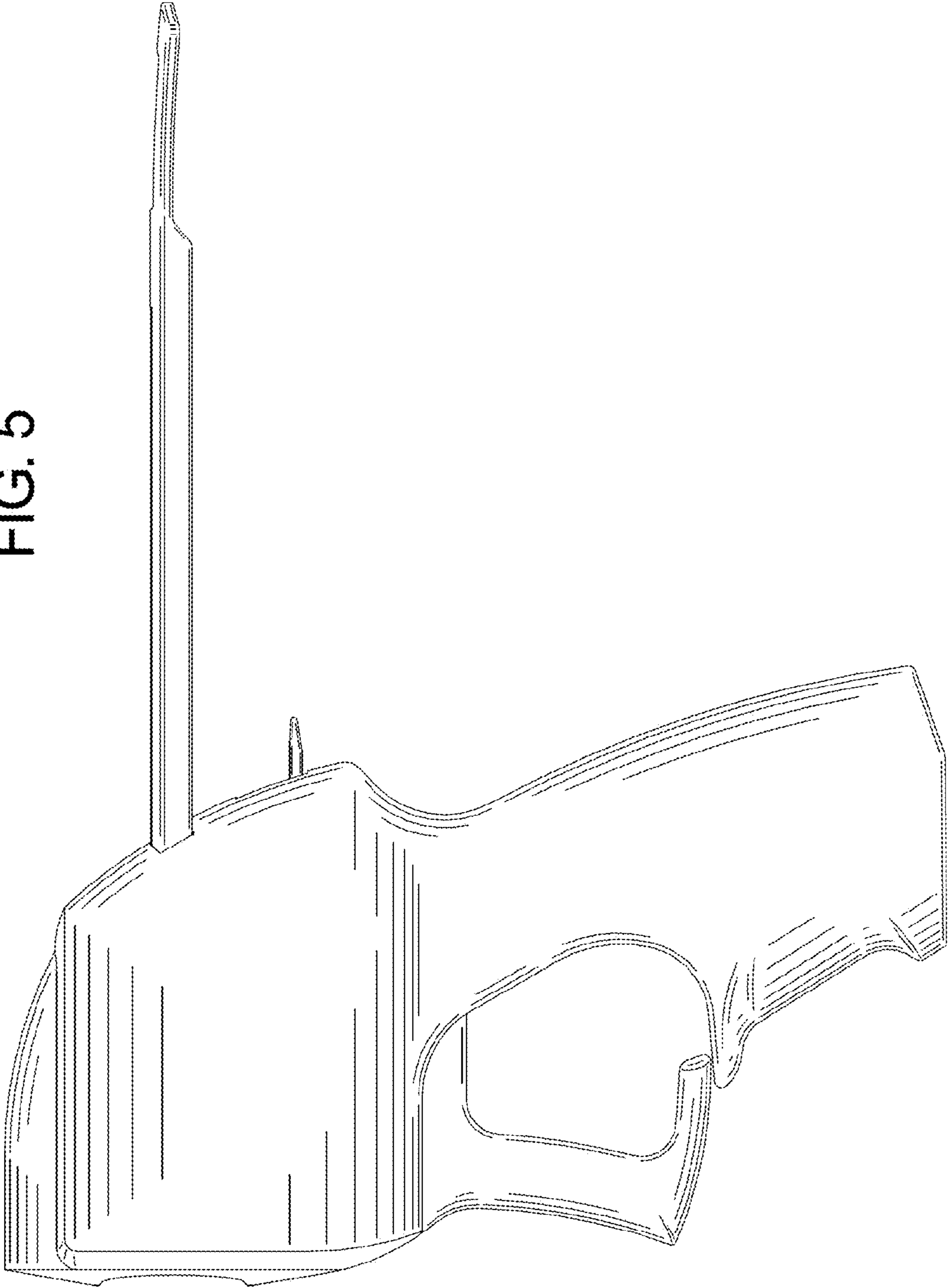


FIG. 3

FIG. 5



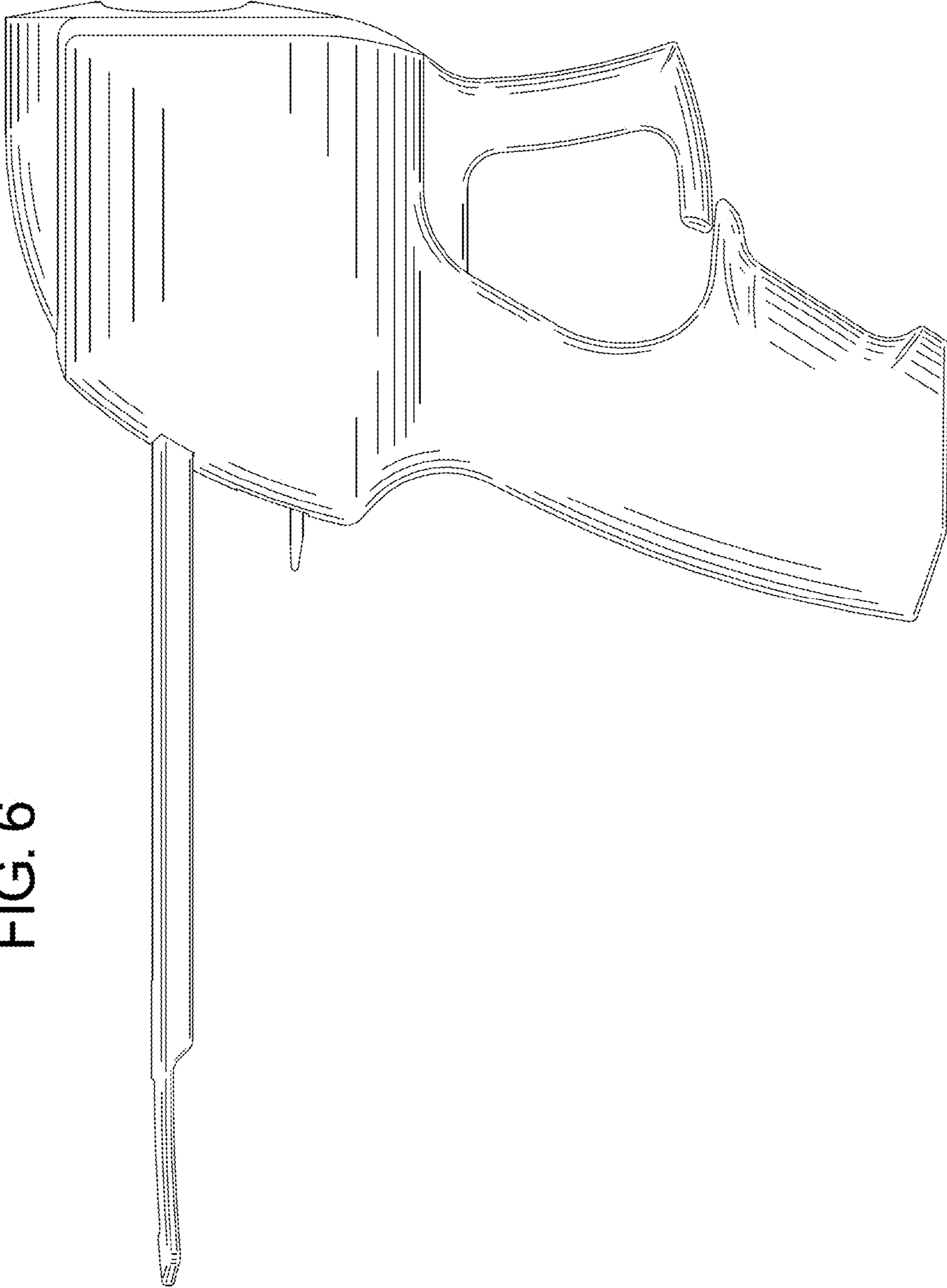


FIG. 6

FIG. 7

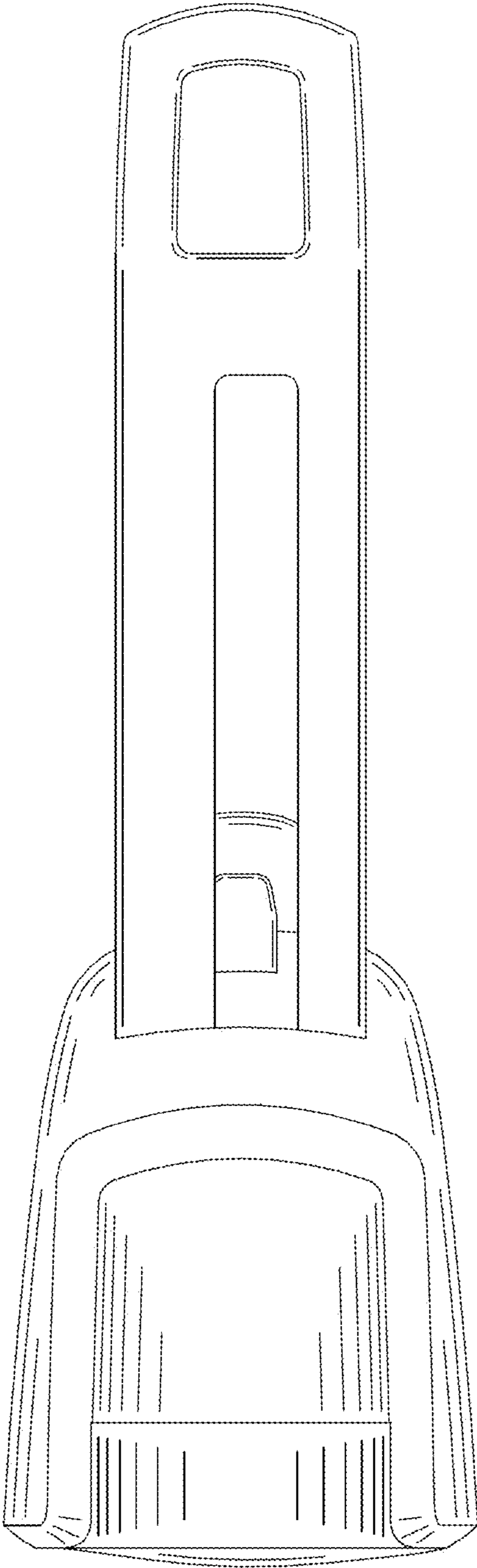


FIG. 8

