



US00D687272S

(12) **United States Design Patent**  
**Cross**

(10) **Patent No.:** **US D687,272 S**

(45) **Date of Patent:** **\*\* \*Aug. 6, 2013**

(54) **CAULKING TIP**

(76) **Inventor:** **Christopher Cross**, Littleton, CO (US)

(\*) **Notice:** This patent is subject to a terminal disclaimer.

(\*\*) **Term:** **14 Years**

(21) **Appl. No.:** **29/402,801**

(22) **Filed:** **Sep. 27, 2011**

(51) **LOC (9) Cl.** ..... **08-05**

(52) **U.S. Cl.**  
USPC ..... **D8/14.1**

(58) **Field of Classification Search**  
USPC ..... D8/14, 14.1; D9/447; 222/325, 326,  
222/340, 527, 566, 567, 568; 215/235, 237,  
215/239, 244; 401/261; 74/141.5  
See application file for complete search history.

(56) **References Cited**

**U.S. PATENT DOCUMENTS**

554,780	A *	2/1896	Hullings	.....	222/324
4,768,954	A	9/1988	Dragan		
5,029,738	A *	7/1991	Dillon	.....	222/527
D377,891	S *	2/1997	Bencich	.....	D8/14.1
D412,117	S *	7/1999	Page	.....	D9/447
6,076,712	A *	6/2000	Esber et al.	.....	222/527
D468,601	S *	1/2003	Horst	.....	D8/14.1
D476,538	S *	7/2003	Dorff et al.	.....	D8/14.1

7,014,079	B2	3/2006	Swann		
D598,722	S *	8/2009	Coll	.....	D8/14.1
7,631,790	B2	12/2009	Braams		
D660,106	S *	5/2012	Cross	.....	D8/14.1
2005/0173472	A1 *	8/2005	Page	.....	222/568
2007/0102484	A1 *	5/2007	Baldwin	.....	228/101
2011/0220687	A1 *	9/2011	Schneider et al.	.....	222/566
2012/0037670	A1 *	2/2012	Stevens	.....	222/541.9

**OTHER PUBLICATIONS**

Albion New Product Announcement Bulletin 935A, Albion Engineering Company, Moorestown, NJ (Circa 2004), viewable at www.albioneng.com.

\* cited by examiner

*Primary Examiner* — Philip S Hyder

*Assistant Examiner* — Darlington Ly

(74) *Attorney, Agent, or Firm* — Matthew Berman

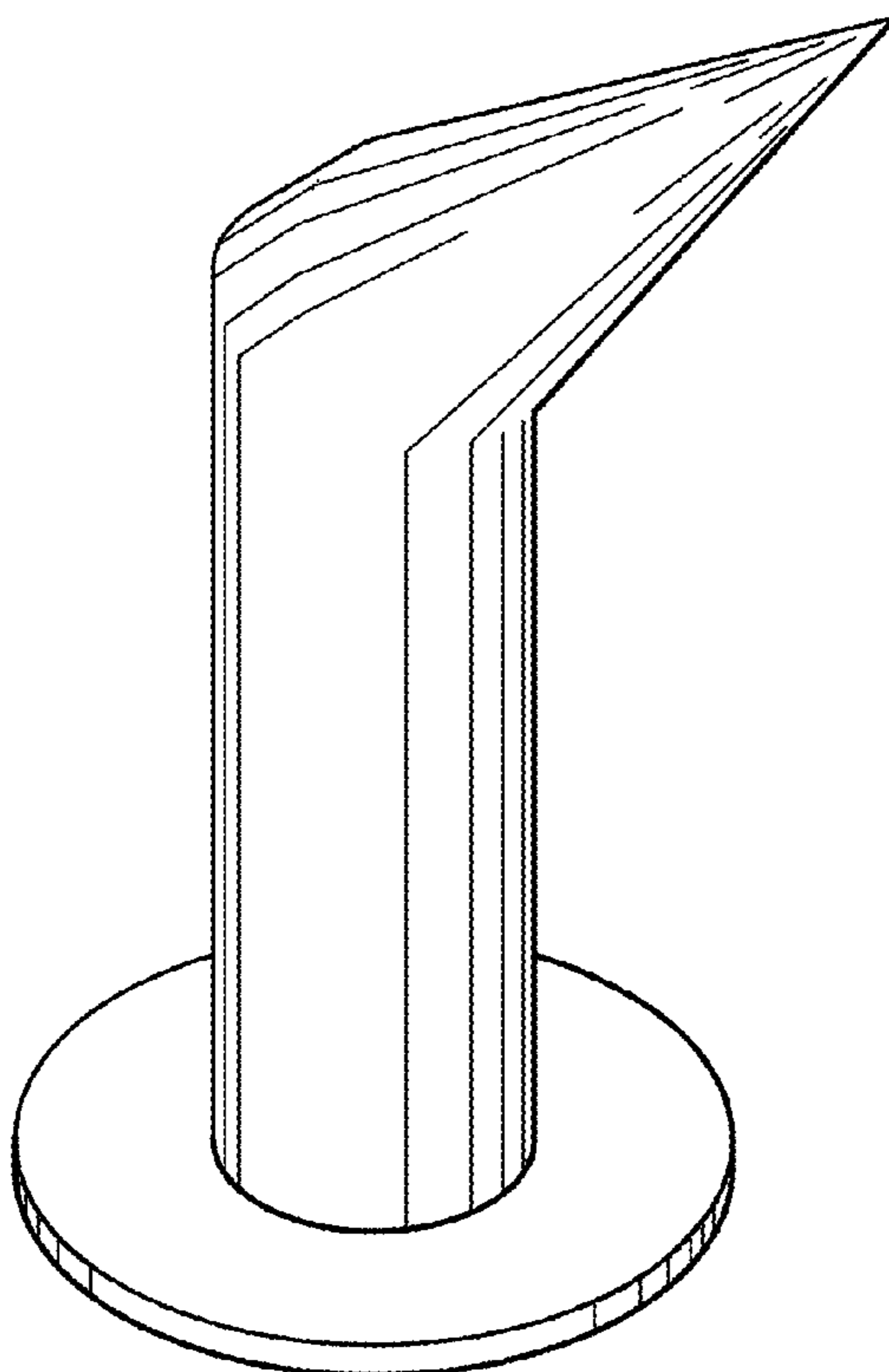
(57) **CLAIM**

I claim the ornamental design for a caulking tip, as shown and described.

**DESCRIPTION**

FIG. 1 is a side view thereof; and,  
FIG. 2 is a perspective view thereof.

**1 Claim, 2 Drawing Sheets**



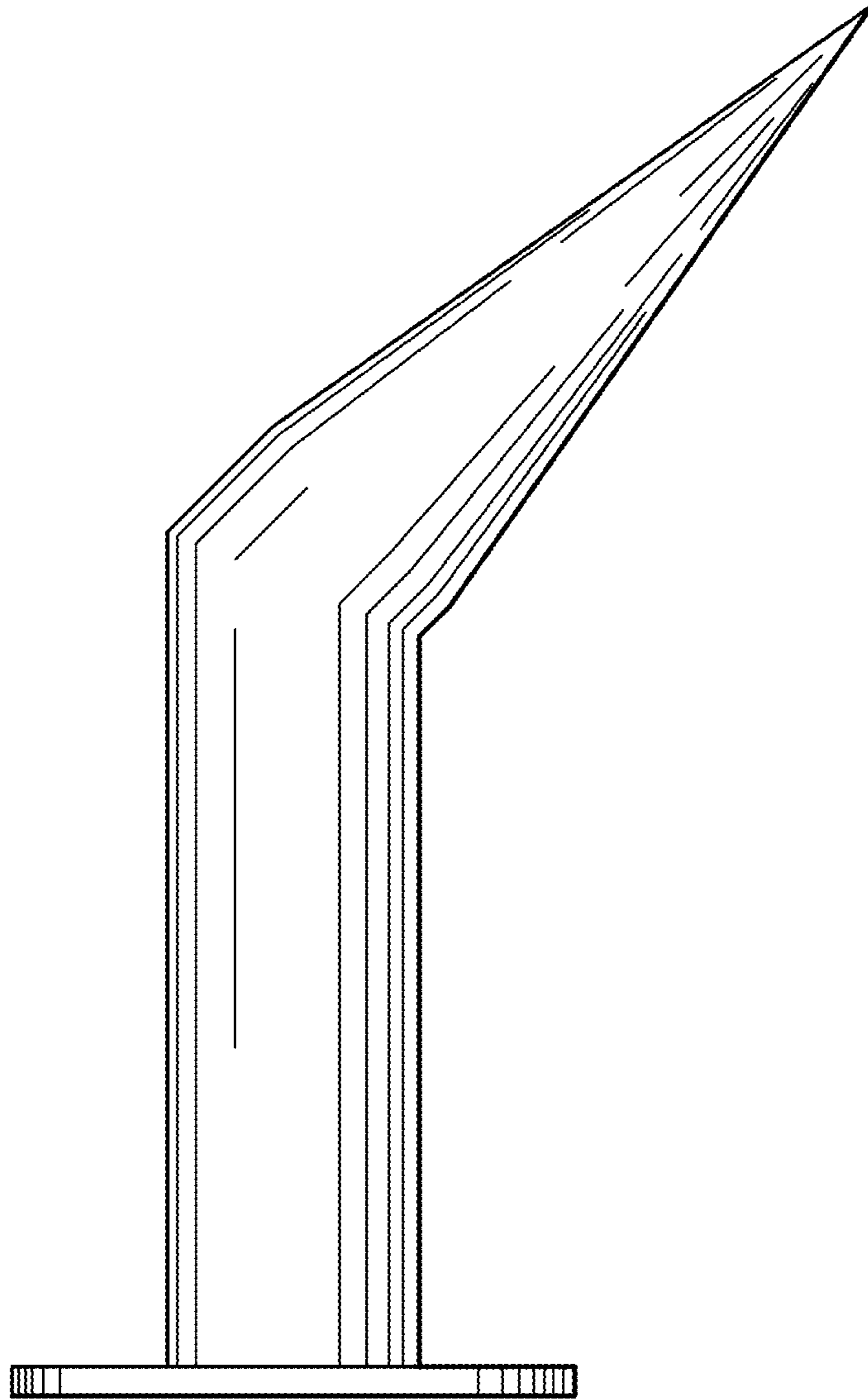


FIG. 1

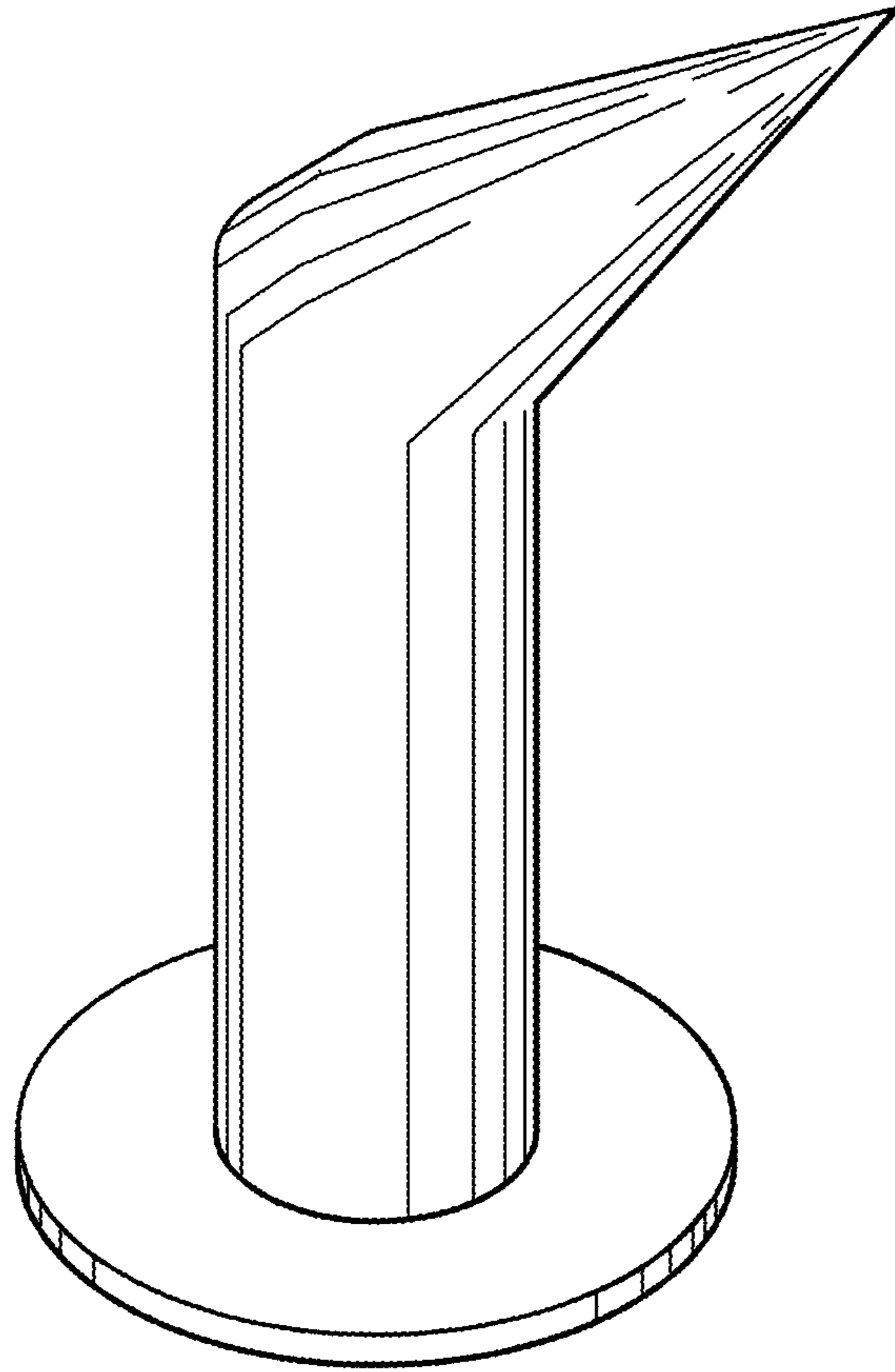


FIG.2