



US00D687270S

(12) **United States Design Patent**
Olson et al.

(10) **Patent No.:** **US D687,270 S**
(45) **Date of Patent:** **** Aug. 6, 2013**

(54) **INTERFACE FOR A CONNECTOR FOR A
LAWN TOOL**

2012/0066915 A1* 3/2012 Alliss 30/347

* cited by examiner

(75) Inventors: **John W. Olson**, Simpsonville, SC (US);
Matthew H. Malone, Sr., Anderson, SC
(US)

Primary Examiner — Sheryl Lane

(74) *Attorney, Agent, or Firm* — Michael Best & Friedrich
LLP

(73) Assignee: **Techtronic Outdoor Products
Technology Limited**, Hamilton (BM)

(57) **CLAIM**

We claim the ornamental design for an interface for a con-
nector for a lawn tool, as shown and described in the figures.

(**) Term: **14 Years**

DESCRIPTION

(21) Appl. No.: **29/417,137**

FIG. 1 is front perspective view of an interface for a connector
according to the invention.

(22) Filed: **Mar. 30, 2012**

FIG. 2 is a second front perspective view of the interface for
the connector of FIG. 1.

(51) **LOC (9) Cl.** **08-01**

FIG. 3 is a first rear perspective view of the interface for the
connector of FIG. 1.

(52) **U.S. Cl.**
USPC **D8/8**

FIG. 4 is a second rear perspective view of the interfece for the
connector of FIG. 1.

(58) **Field of Classification Search**
USPC D8/8, 382, 1, 499, 349; 30/216,
30/208, 276, 228, 382, 383, 347; 56/12.7,
56/233, 234–237, 295; 403/292–293
See application file for complete search history.

FIG. 5 is a front view of the interface for the connector of FIG.
1; and,

FIG. 6 is a rear view of the interface for the connector of FIG.
1.

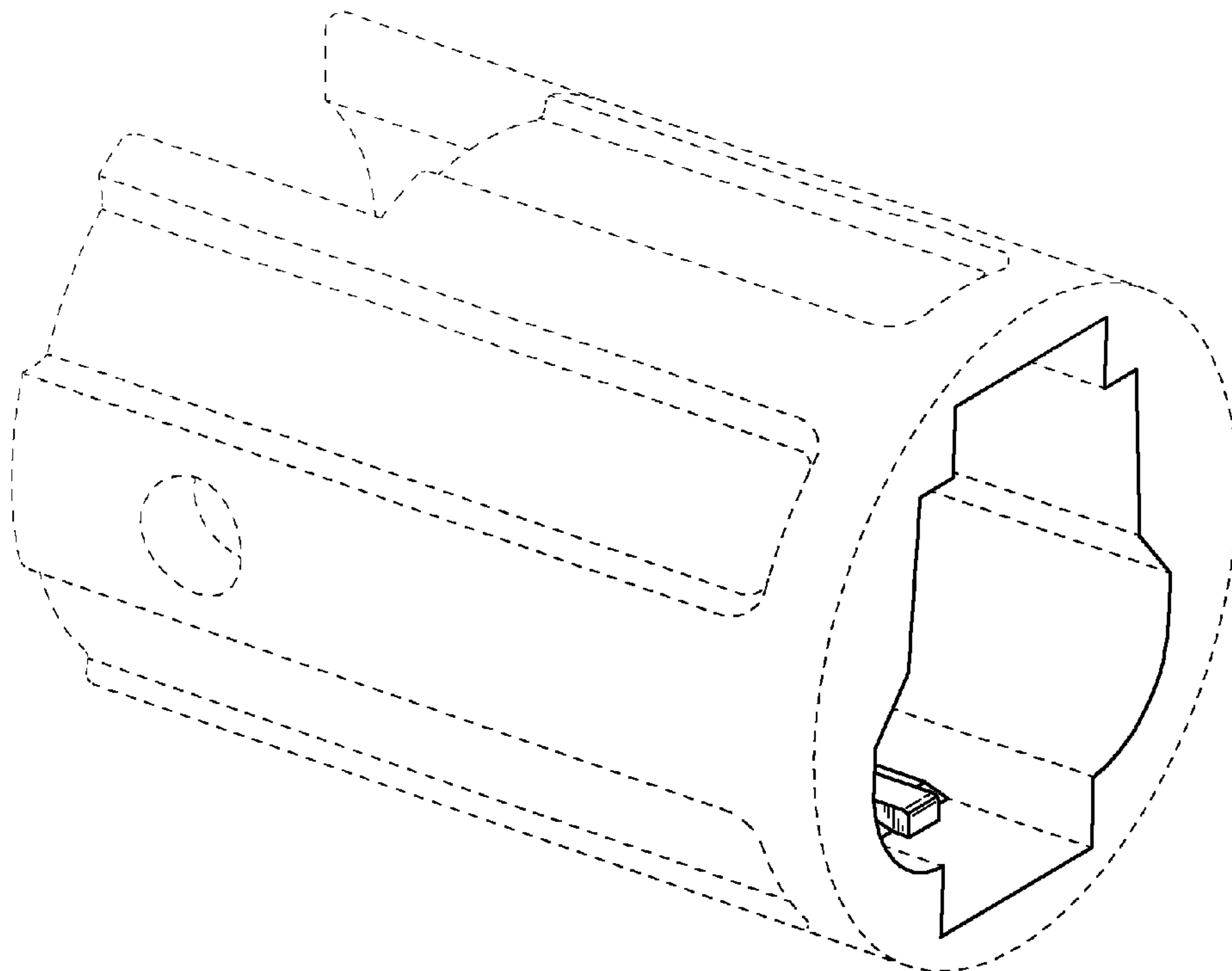
(56) **References Cited**

U.S. PATENT DOCUMENTS

4,986,690	A *	1/1991	Cooksey	403/319
D395,865	S *	7/1998	Powell et al.	D12/220
7,004,668	B2 *	2/2006	Lombardo et al.	403/293
7,731,520	B1 *	6/2010	Daily et al.	439/357

The portions of the interface for the connector shown in
broken lines are included for the purpose of illustrating envi-
ronment and form no part of the claimed design. The portion
of the interface for the connector shown in broken lines hav-
ing unequal length segments illustrate the boundary of the
claimed design and form no part of the claimed design.

1 Claim, 4 Drawing Sheets



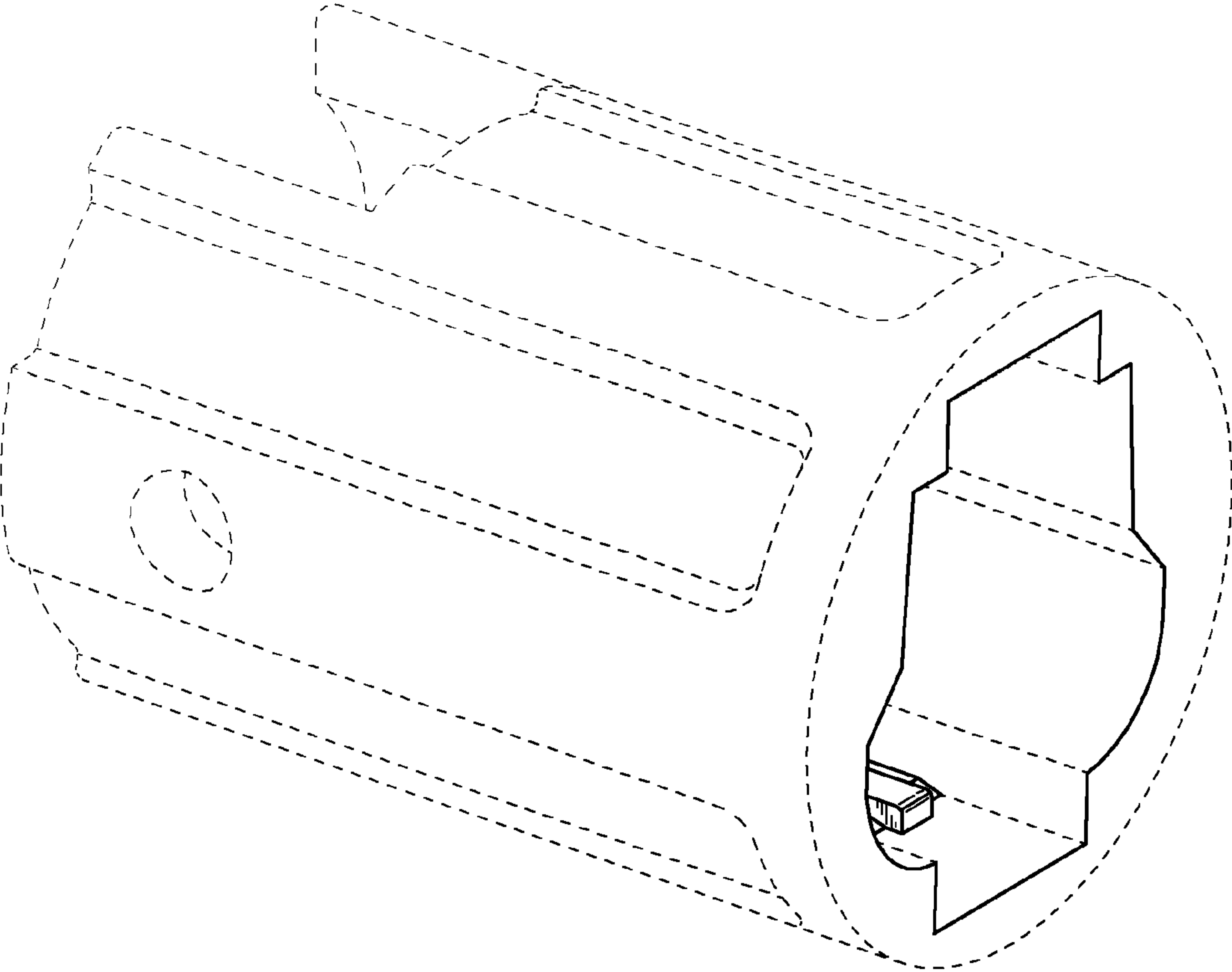


FIG. 1

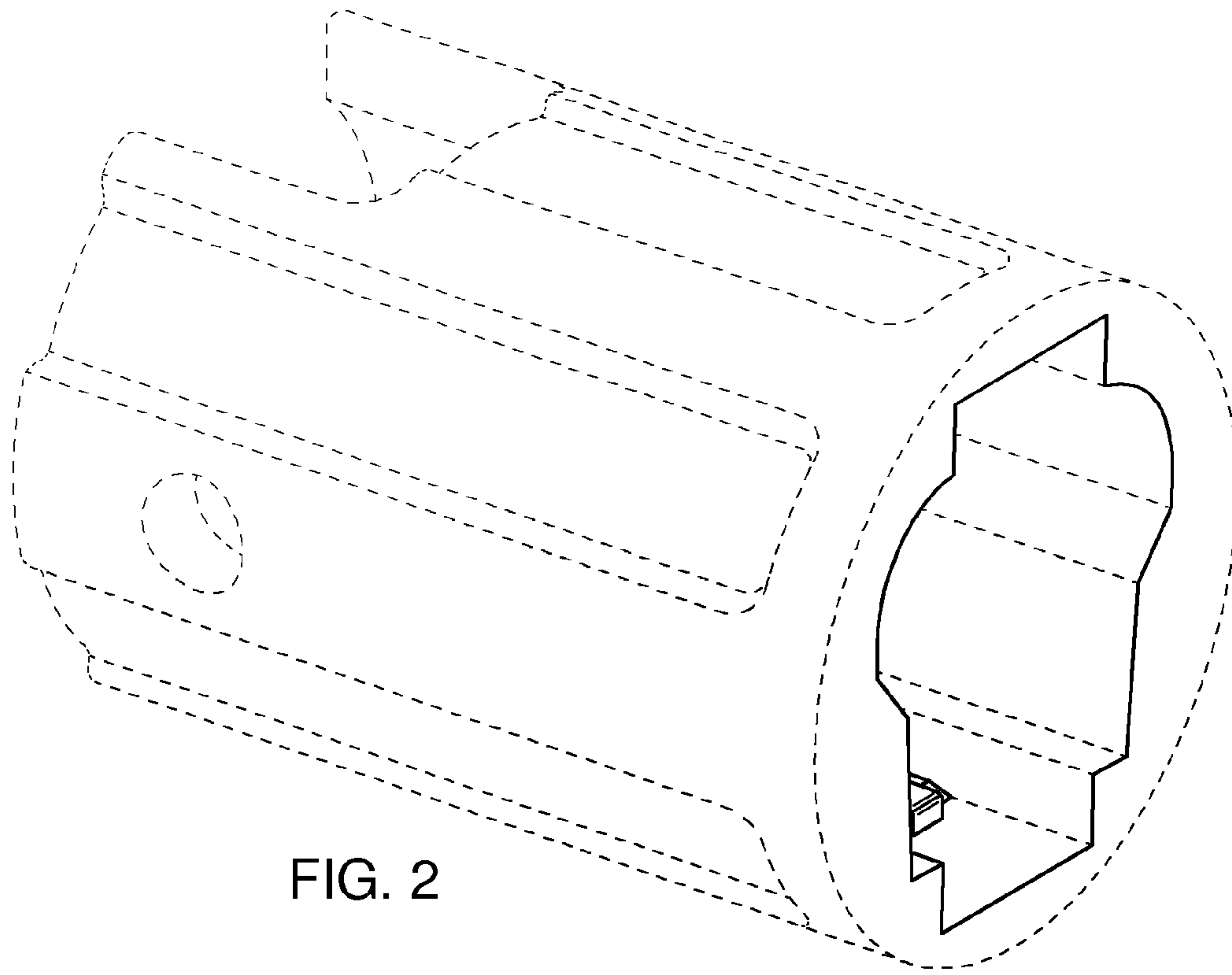


FIG. 2

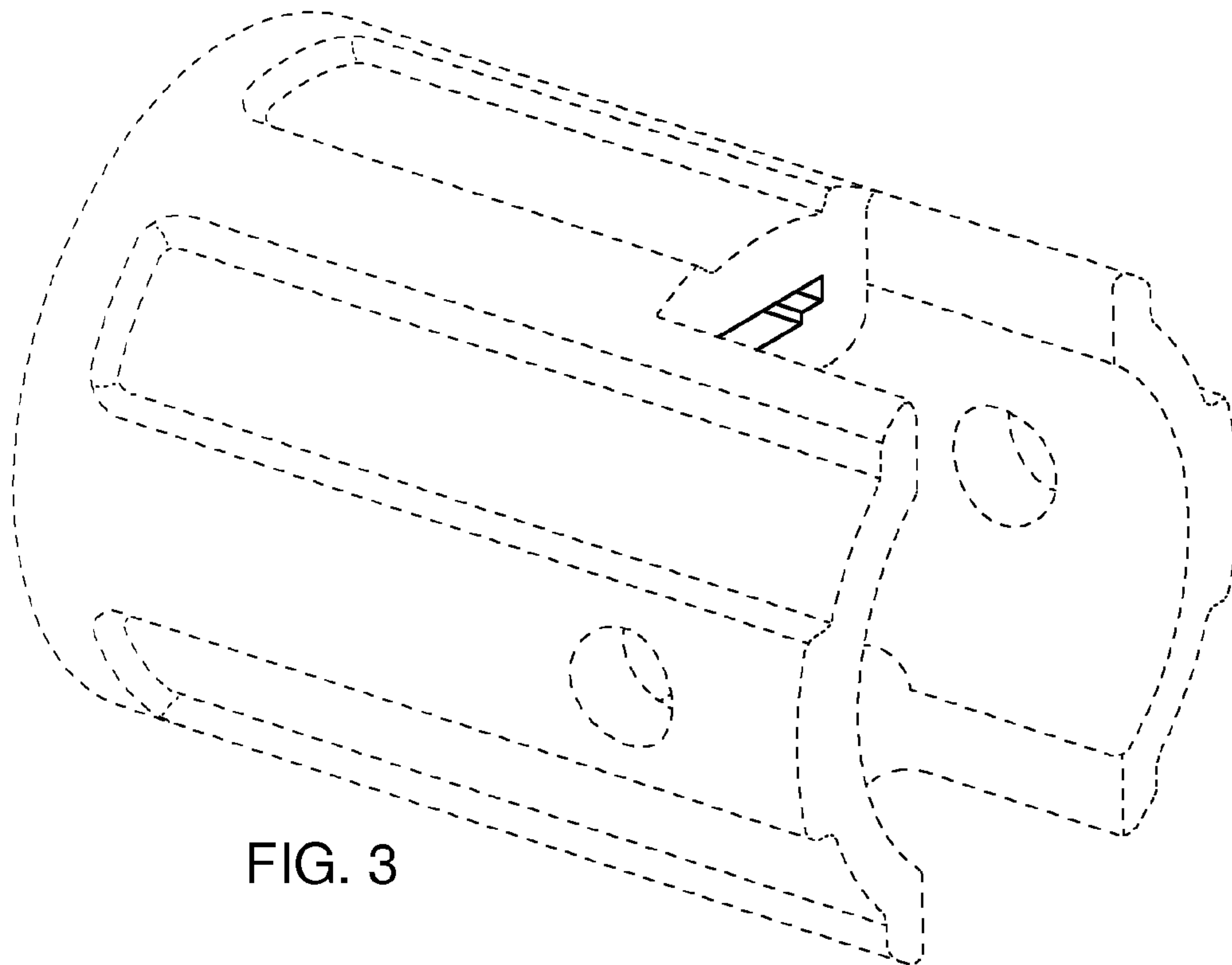


FIG. 3

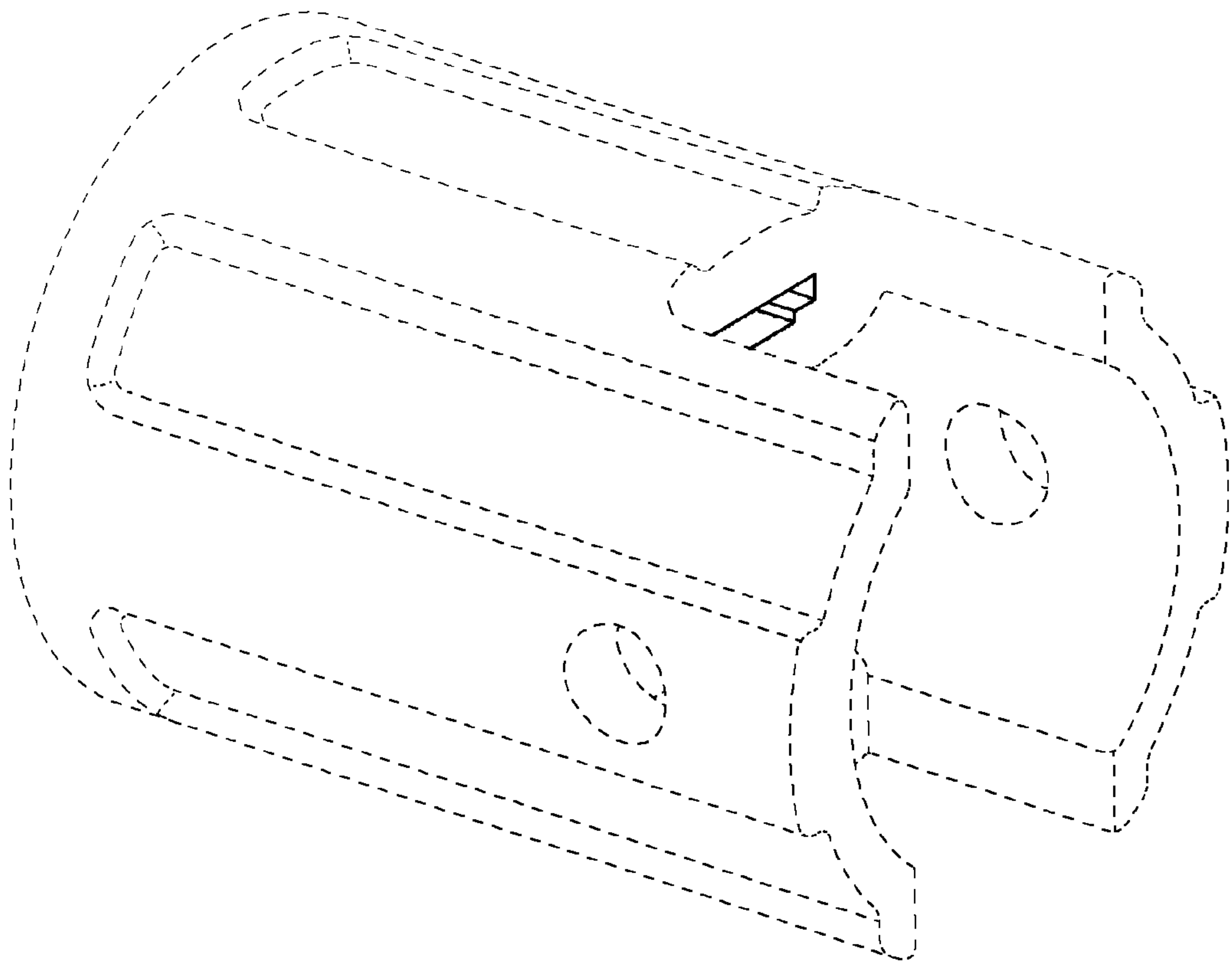


FIG. 4

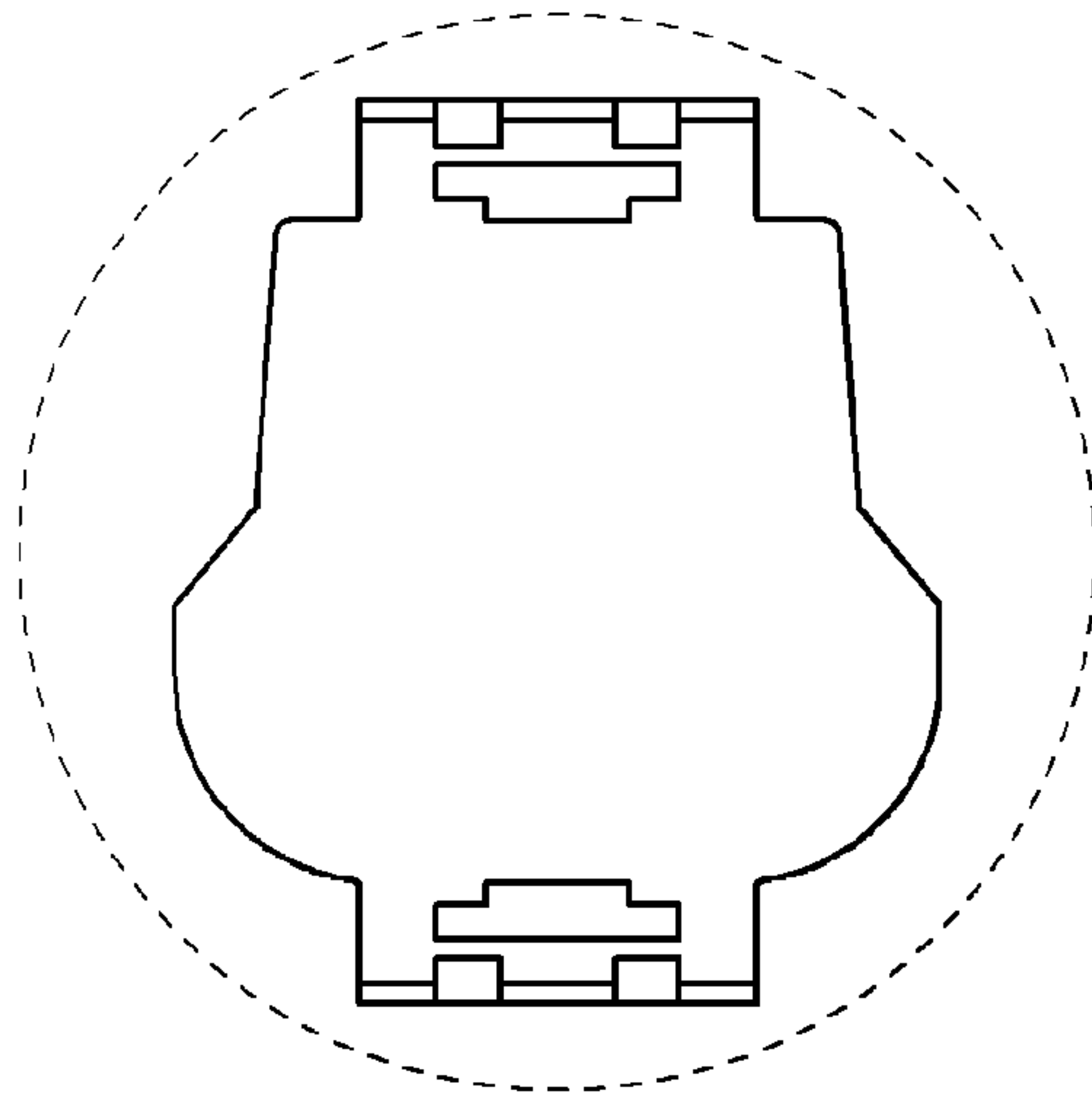


FIG. 5

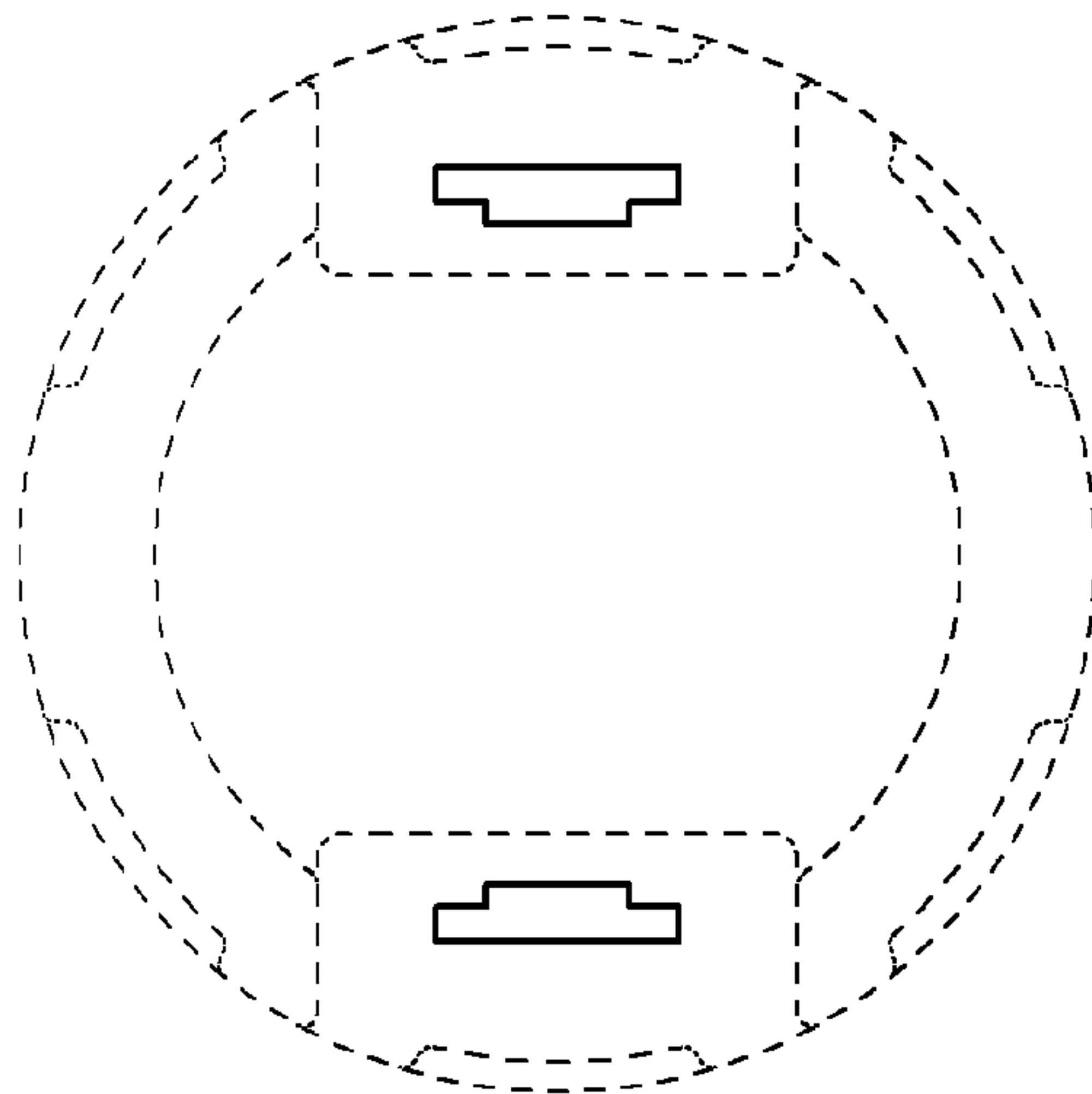


FIG. 6