



US00D687269S

(12) **United States Design Patent**
Guy et al.

(10) **Patent No.:** **US D687,269 S**

(45) **Date of Patent:** **** Aug. 6, 2013**

(54) **FOOTBALL-SHAPED CUTTING BOARD WITH WINE AND CHEESE TOOLS**

(71) Applicants: **Kevin Guy**, Moorpark, CA (US); **Mario Tagliati**, Moorpark, CA (US)

(72) Inventors: **Kevin Guy**, Moorpark, CA (US); **Mario Tagliati**, Moorpark, CA (US)

(**) Term: **14 Years**

(21) Appl. No.: **29/443,087**

(22) Filed: **Jan. 12, 2013**

(51) **LOC (9) Cl.** **07-04**

(52) **U.S. Cl.**
USPC **D7/698**

(58) **Field of Classification Search**
USPC D1/106; D2/615, 869; D6/588, 707.13; D7/354, 357-360, 368, 388, 392.1, 396.1, D7/409, 412, 505, 544, 550.1, 552.1-552.2, D7/553.1, 553.5, 553.8, 554.3-554.4, 555, D7/586, 637, 673, 698-699; D8/394; D10/106.4; D11/81, 133, 157; D13/183; D21/825; D23/366; D24/101-102, 158; 99/324, 99/357, 446-450; 269/13-16, 87.2, 289 R, 269/302.1, 575

See application file for complete search history.

(56) **References Cited**

U.S. PATENT DOCUMENTS

D118,509 S	1/1940	Reinecke et al.	
D272,260 S *	1/1984	Budde	D21/825
D275,922 S	10/1984	Weil	
D298,296 S *	11/1988	Washburn et al.	D7/553.8
D311,267 S *	10/1990	Pesta	D2/869
D323,959 S *	2/1992	Ciampi et al.	D7/699
D355,975 S *	3/1995	Patoskie et al.	D1/106
D370,391 S	6/1996	Bauer	
5,992,035 A	11/1999	Otsu	
D443,228 S *	6/2001	Olinger	D11/133
D468,708 S *	1/2003	Gray	D13/183

D475,451 S *	6/2003	Bell et al.	D24/101
D475,584 S	6/2003	Bachman	
D482,268 S *	11/2003	Kushner	D8/394
D483,227 S *	12/2003	Oas	D7/544
D487,659 S *	3/2004	Kerr	D6/511
D509,401 S *	9/2005	Barnard et al.	D7/354
D515,280 S *	2/2006	Luciano et al.	D2/615
D519,789 S	5/2006	Thiele	
D522,817 S *	6/2006	Gunderson	D7/698
D532,891 S *	11/2006	Buthier et al.	D23/366
D553,734 S *	10/2007	Chen et al.	D24/102
D560,538 S *	1/2008	Yuengling	D11/81
D580,817 S *	11/2008	Zarzaur	D11/157
D595,093 S	6/2009	McComas	
D610,877 S	3/2010	Cooper	
D614,449 S	4/2010	Cooper	

(Continued)

Primary Examiner — Ricky Pham

(74) *Attorney, Agent, or Firm* — QuickPatents; Kevin Prince

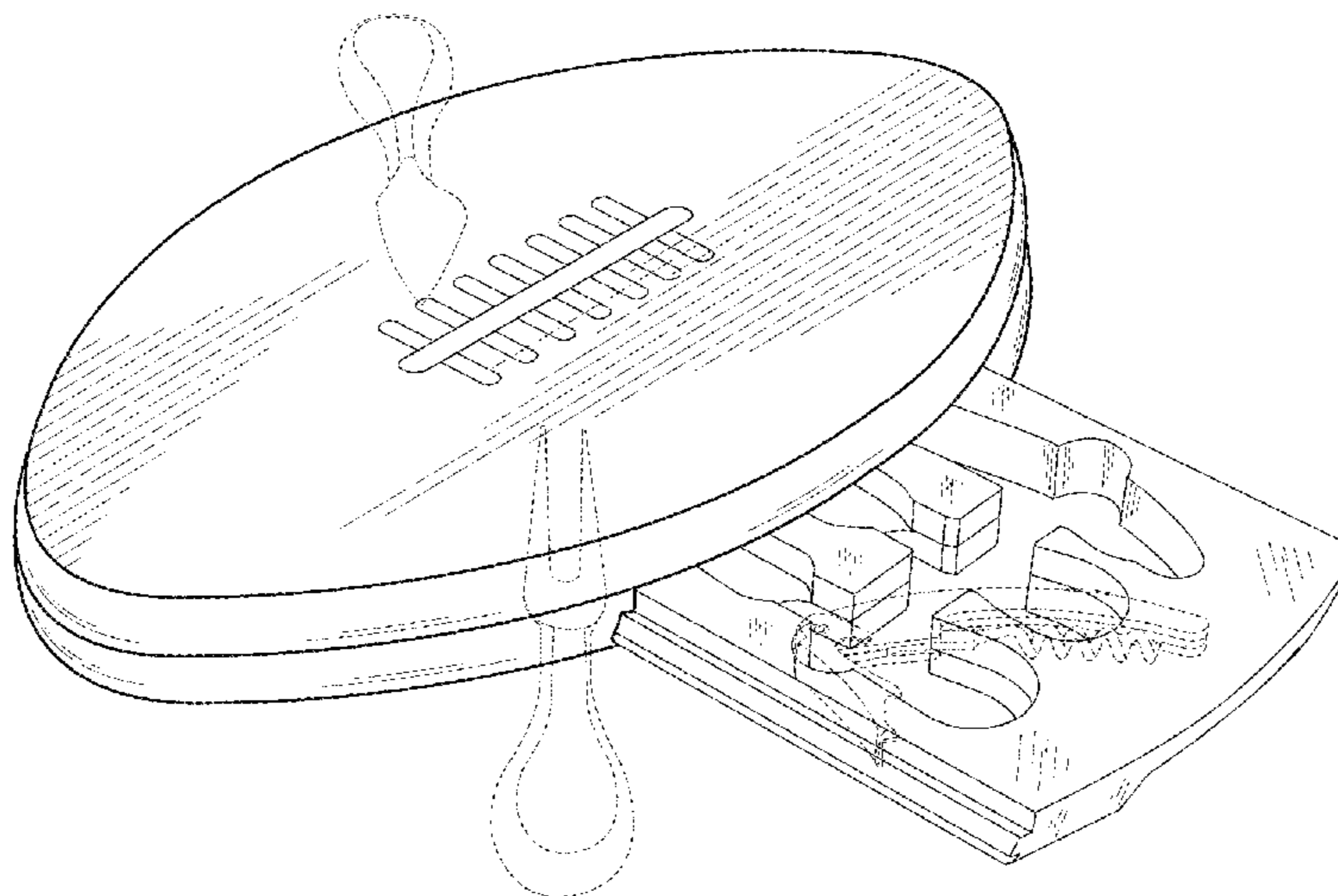
(57) **CLAIM**

We claim the ornamental design for a football-shaped cutting board with wine and cheese tools, as shown and described.

DESCRIPTION

FIG. 1 is a perspective view of a football-shaped cutting board with wine and cheese tools, showing our new design with a drawer for the tools in an extended position; FIG. 2 is a top plan view of FIG. 1; FIG. 3 is a perspective view thereof, illustrated with the drawer in a retracted position; FIG. 4 is a front elevational view of FIG. 3; FIG. 5 is a rear elevational view of FIG. 3; FIG. 6 is a left-side elevational view of FIG. 3, the right-side elevational view being a mirror image thereof; FIG. 7 is a top plan view of FIG. 3; and, FIG. 8 is a bottom plan view of FIG. 3. The broken lines showing wine and cheese tools in FIGS. 1 and 2 and foot pads and a drawer recess in FIG. 8 depict environmental matter and form no part of the claimed design.

1 Claim, 5 Drawing Sheets



US D687,269 S

Page 2

U.S. PATENT DOCUMENTS

D614,826 S *	5/2010	Nakan	D1/106	D650,237 S *	12/2011	McComas	D7/553.8
D615,827 S *	5/2010	Shamoon	D7/699	D662,276 S *	6/2012	Villota et al.	D1/106
D619,426 S	7/2010	Bodum		D664,818 S *	8/2012	Buffington	D7/699
D631,278 S *	1/2011	Curtis	D6/588	D669,588 S *	10/2012	Dutschmann	D24/158
D644,547 S *	9/2011	Knowles	D10/106.4	2010/0012616 A1	1/2010	Guy	

* cited by examiner

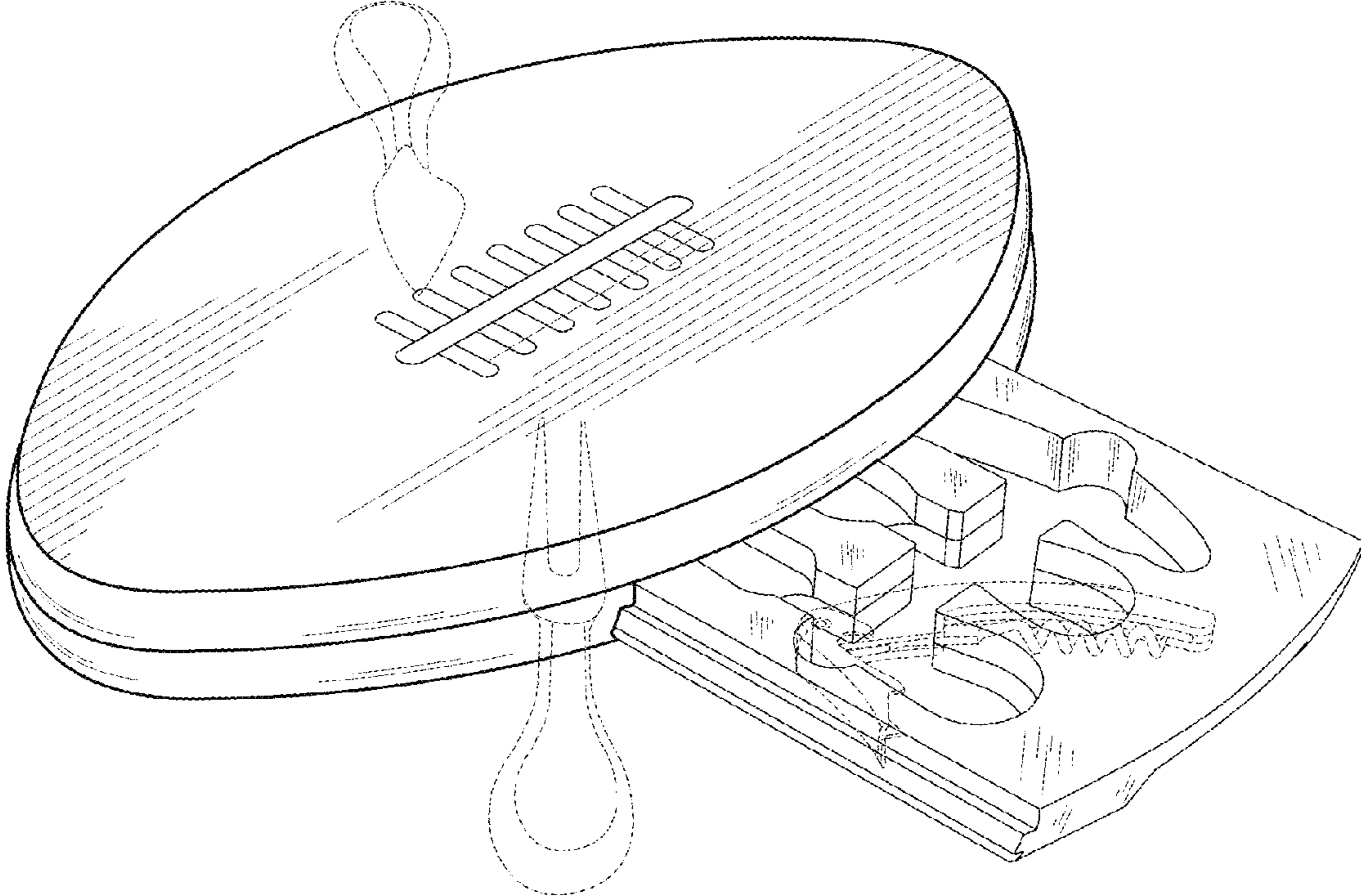


FIG. 1

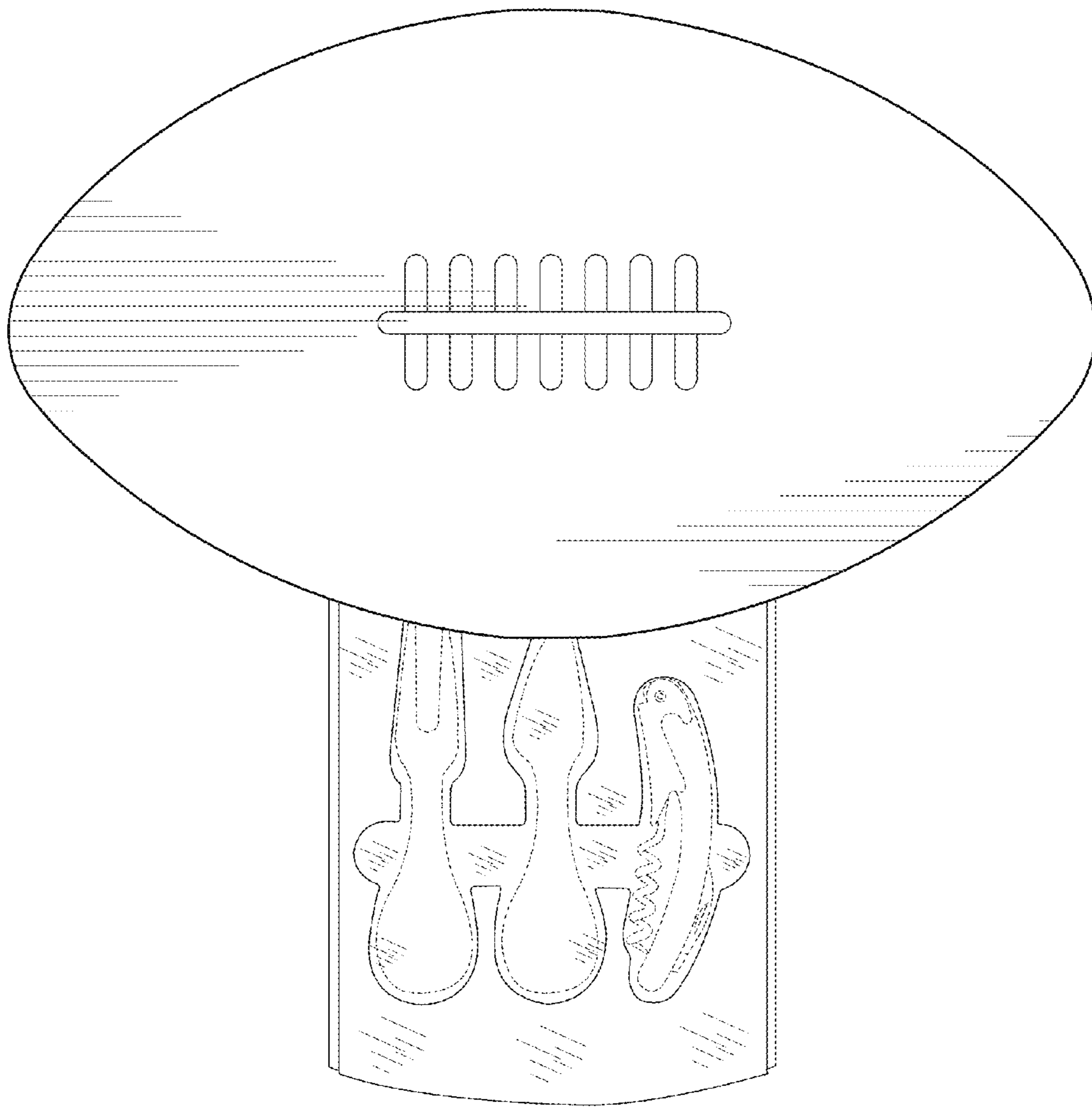


FIG. 2

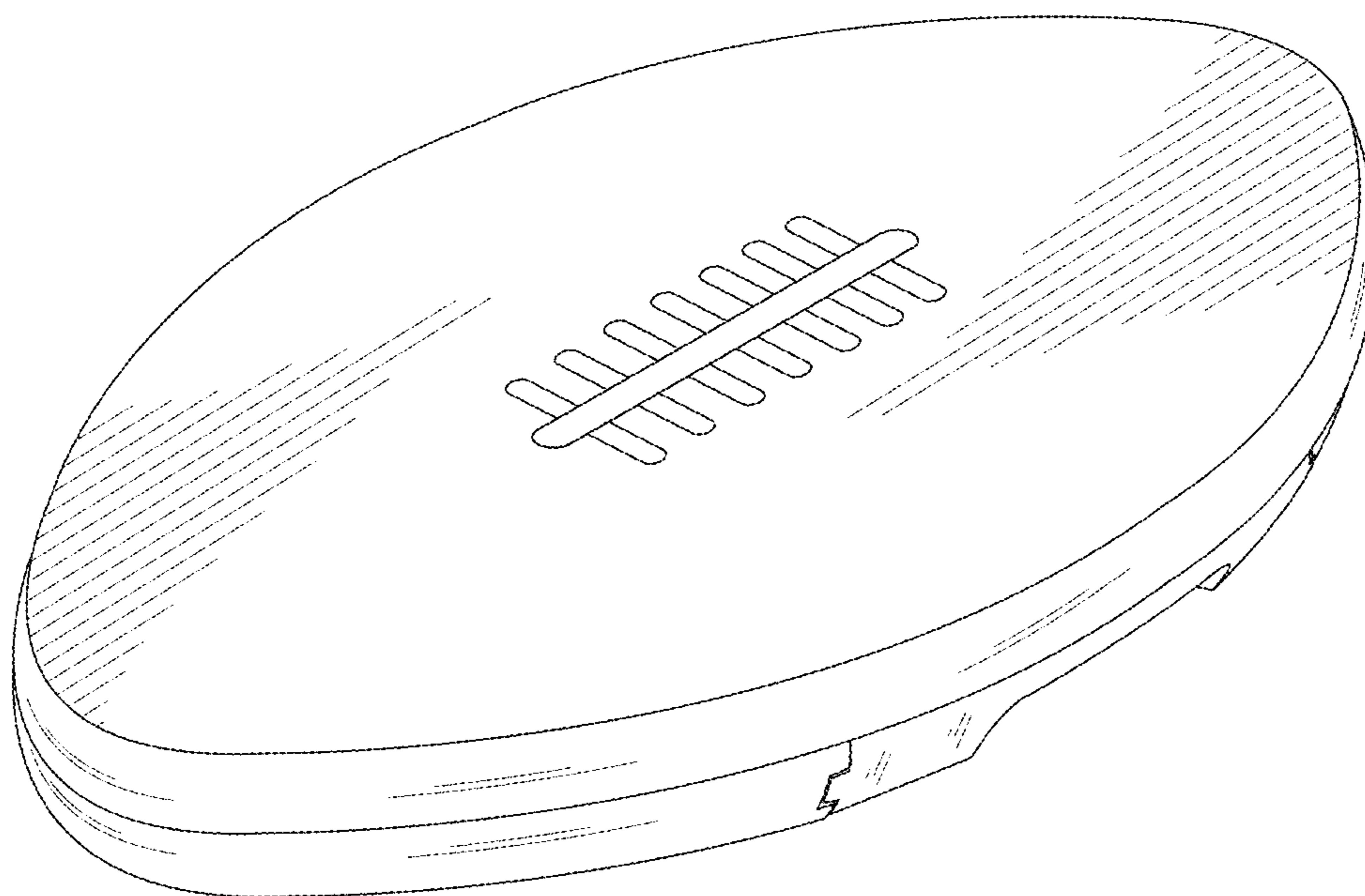


FIG. 3

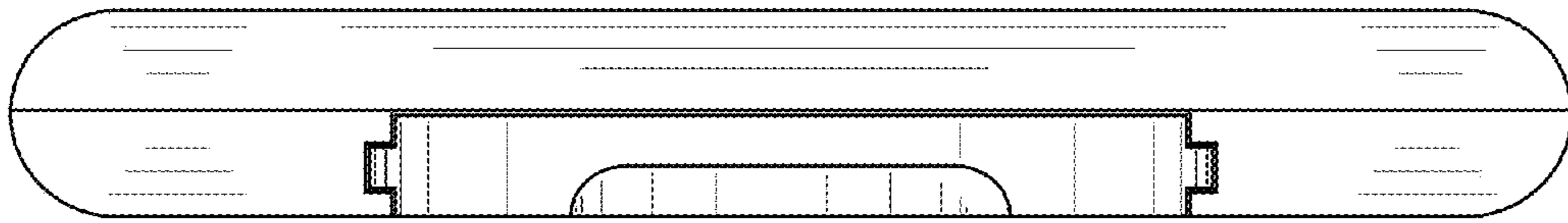


FIG. 4

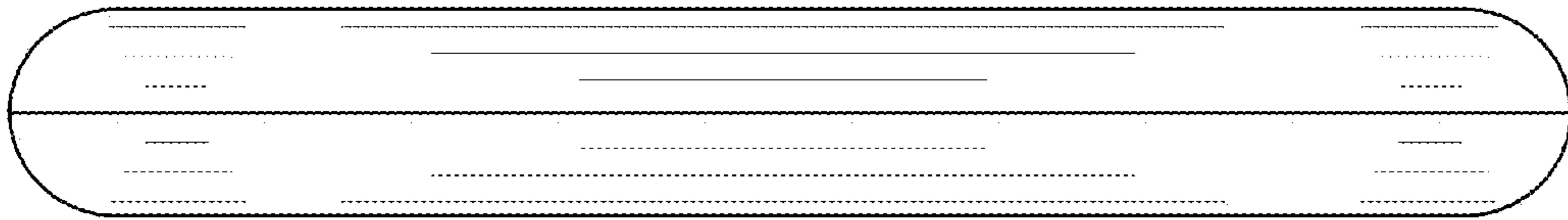


FIG. 5

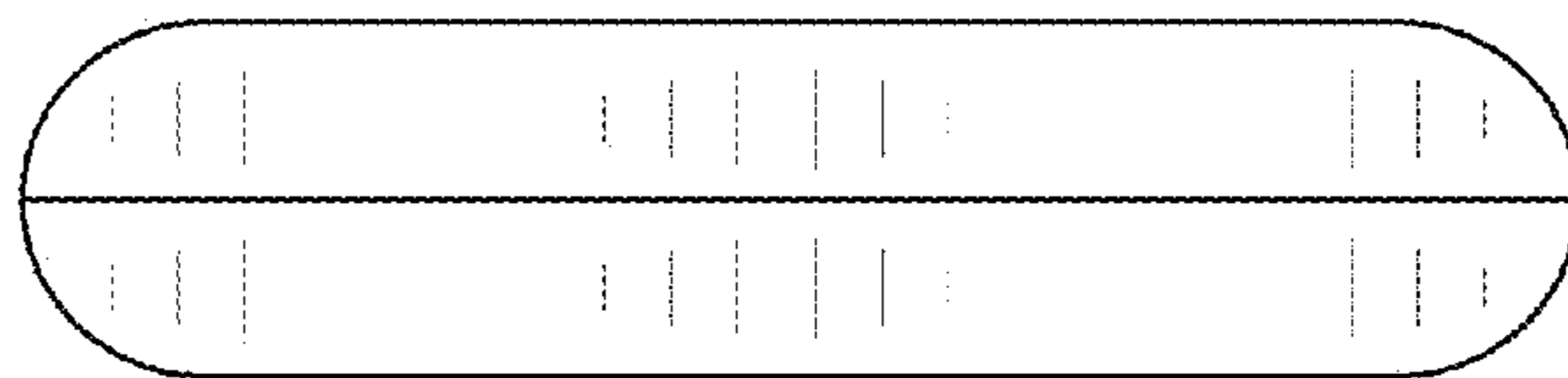


FIG. 6

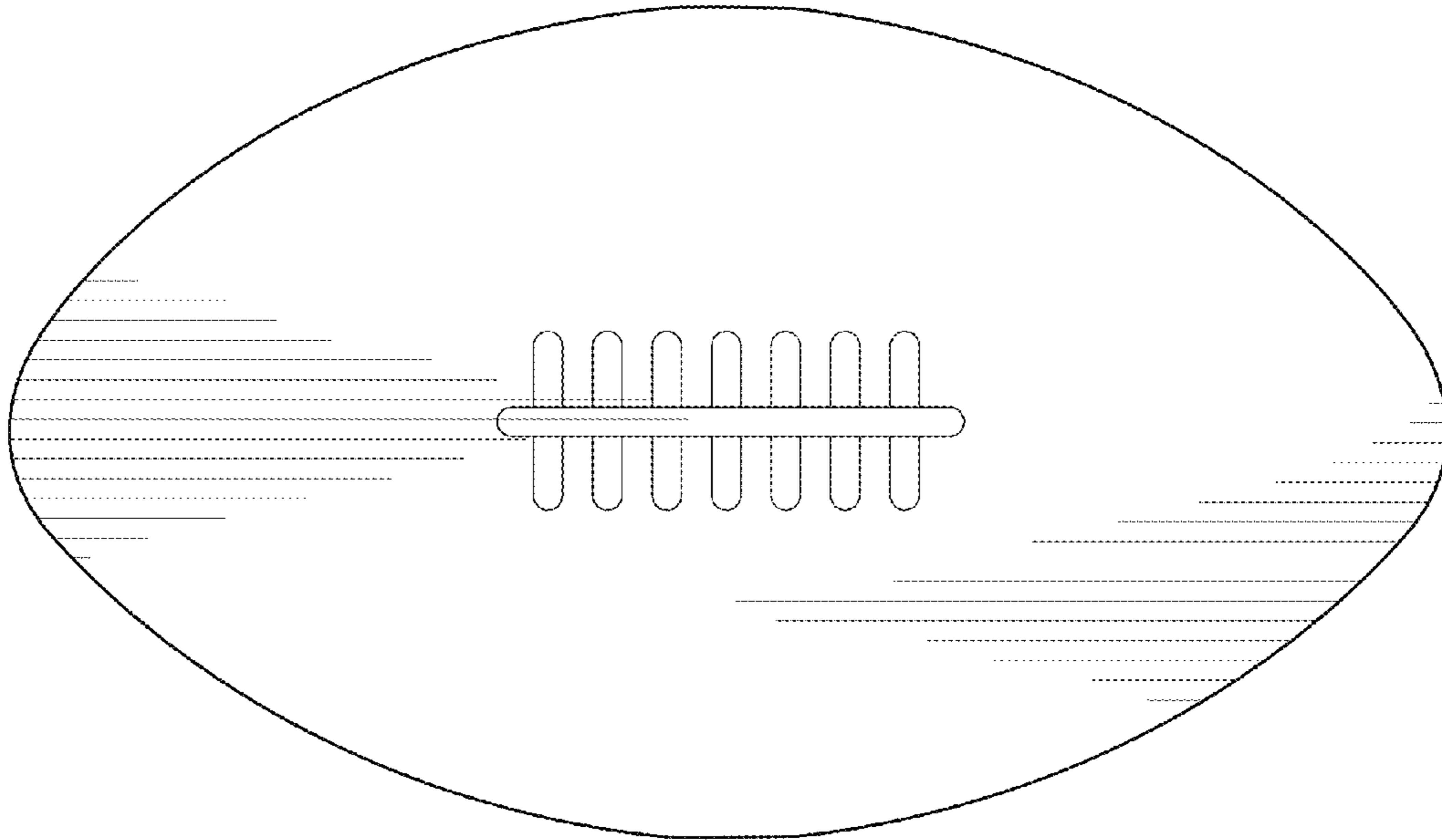


FIG. 7

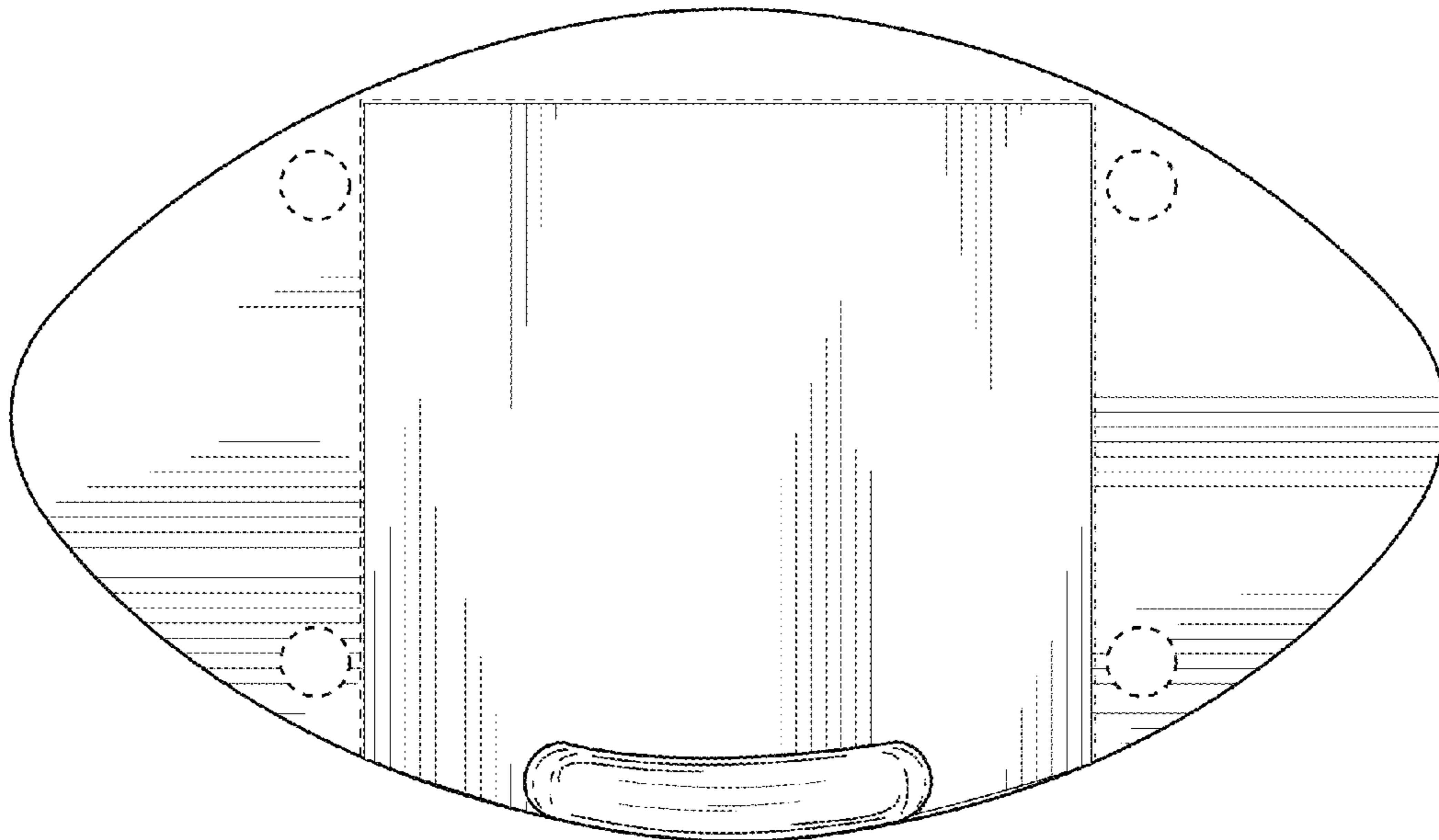


FIG. 8