



US00D687268S

(12) **United States Design Patent**
Difante

(10) **Patent No.:** **US D687,268 S**
(45) **Date of Patent:** **** Aug. 6, 2013**

(54) **CUTTING BOARD AND TRAY**

(71) Applicant: **Agostino Difante**, San Clemente, CA
(US)

(72) Inventor: **Agostino Difante**, San Clemente, CA
(US)

(**) Term: **14 Years**

(21) Appl. No.: **29/442,356**

(22) Filed: **Feb. 11, 2013**

(51) **LOC (9) Cl.** **07-04**

(52) **U.S. Cl.**
USPC **D7/698**; D7/699

(58) **Field of Classification Search**
USPC D7/354, 357-360, 368, 388, 392.1,
D7/396.1, 409, 412, 505, 549, 550.1, 552.1-552.2,
D7/553.1, 553.5, 553.8, 554.3-554.4, 555,
D7/586, 637, 673, 698-699; 30/302; 83/130,
83/167, 762-764; 99/324, 357, 446-450;
269/13-16, 87.2, 289 R, 302.1, 575
See application file for complete search history.

(56) **References Cited**

U.S. PATENT DOCUMENTS

2,609,024	A *	9/1952	Russ	269/15
4,907,789	A *	3/1990	Tice	269/13
5,865,105	A *	2/1999	Pepelanov	99/446
D412,815	S *	8/1999	Porter	D7/698
D416,768	S *	11/1999	Lisser et al.	D7/698
D464,237	S *	10/2002	Kaposi	D7/698
D472,776	S *	4/2003	Porter	D7/698
6,651,970	B2 *	11/2003	Scott	269/289 R
6,722,644	B1 *	4/2004	Prosser	269/289 R
D492,884	S *	7/2004	Swope	D7/505
D543,423	S *	5/2007	Benson	D7/698
D543,802	S *	6/2007	Fuchs	D7/698
D555,987	S *	11/2007	Williams	D7/698

D570,166	S *	6/2008	Brownlee	D7/698
D571,167	S *	6/2008	McCammon	D7/698
7,533,875	B2 *	5/2009	Willen et al.	269/289 R
7,637,488	B2 *	12/2009	Zeng	269/302.1
D615,826	S *	5/2010	Tsui	D7/698
D616,700	S *	6/2010	Pourounidis et al.	D7/388
7,758,029	B2 *	7/2010	Lim et al.	269/289 R
8,122,800	B2 *	2/2012	Correa	83/130
2005/0040580	A1 *	2/2005	Davis	269/289 R
2007/0245573	A1 *	10/2007	Willen et al.	30/302
2007/0267800	A1 *	11/2007	Zeng	269/302.1
2009/0014935	A1 *	1/2009	Zeng	269/302.1
2009/0200723	A1 *	8/2009	Lim et al.	269/289 R

* cited by examiner

Primary Examiner — Ricky Pham

(57) **CLAIM**

The ornamental design for a cutting board and tray, as shown and described.

DESCRIPTION

FIG. 1 is an exploded perspective view of the cutting board and tray of my new design showing the cutting board, tray and holder;

FIG. 2 is a perspective view of the assembled cutting board and tray of my new design with the cutting board inserted into the tray and assembled into the holder;

FIG. 3 is a right side elevational view of the assembled cutting board and tray of my design, the left elevational view being a mirror image thereof;

FIG. 4 is a front elevational view of the assembled cutting board and tray of my design, the rear elevational view being a mirror image thereof;

FIG. 5 is a top plan view of the assembled cutting board and tray of my design; and,

FIG. 6 is a bottom plan view of the assembled cutting board and tray of my design.

1 Claim, 3 Drawing Sheets

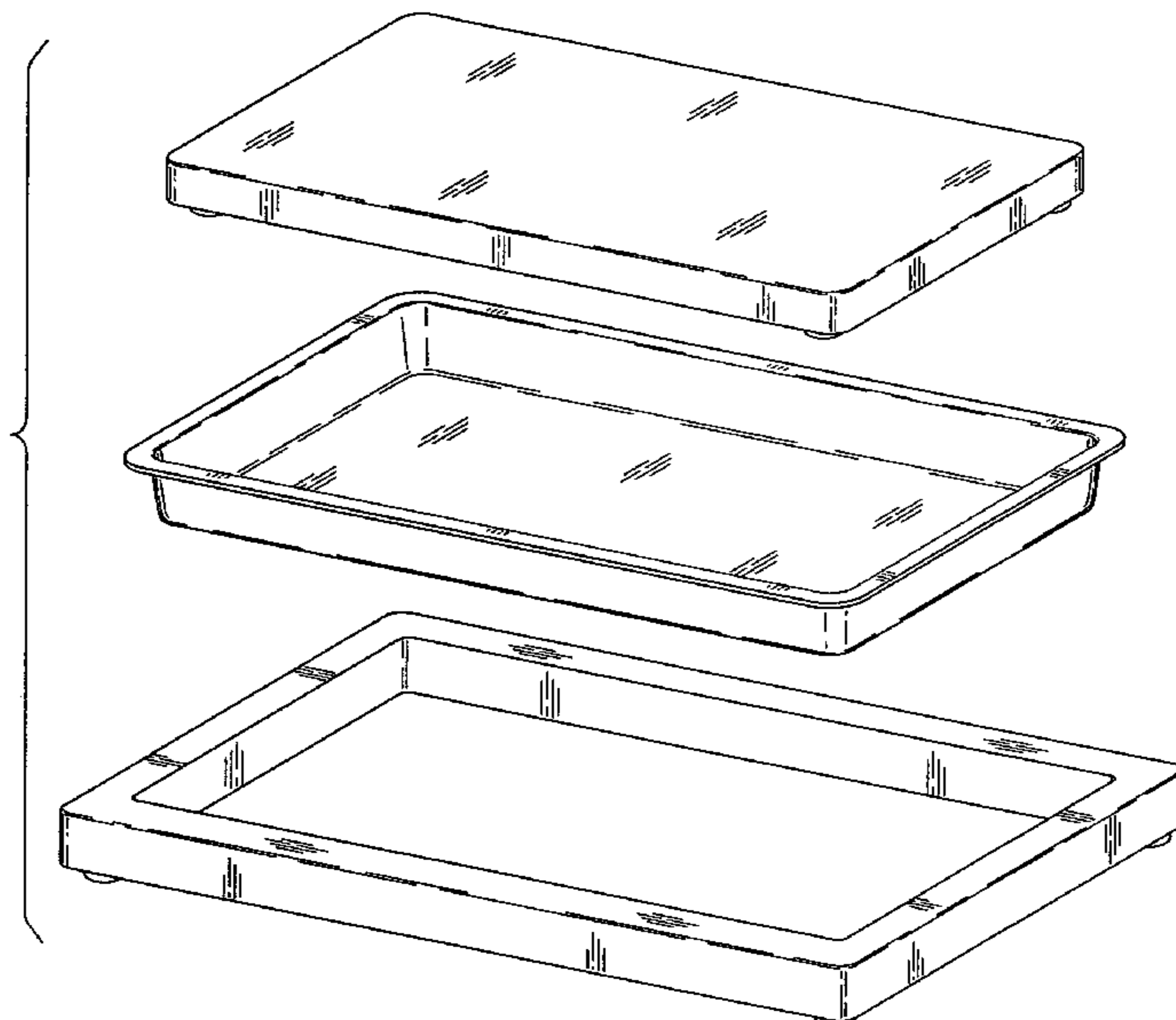


Fig. 1

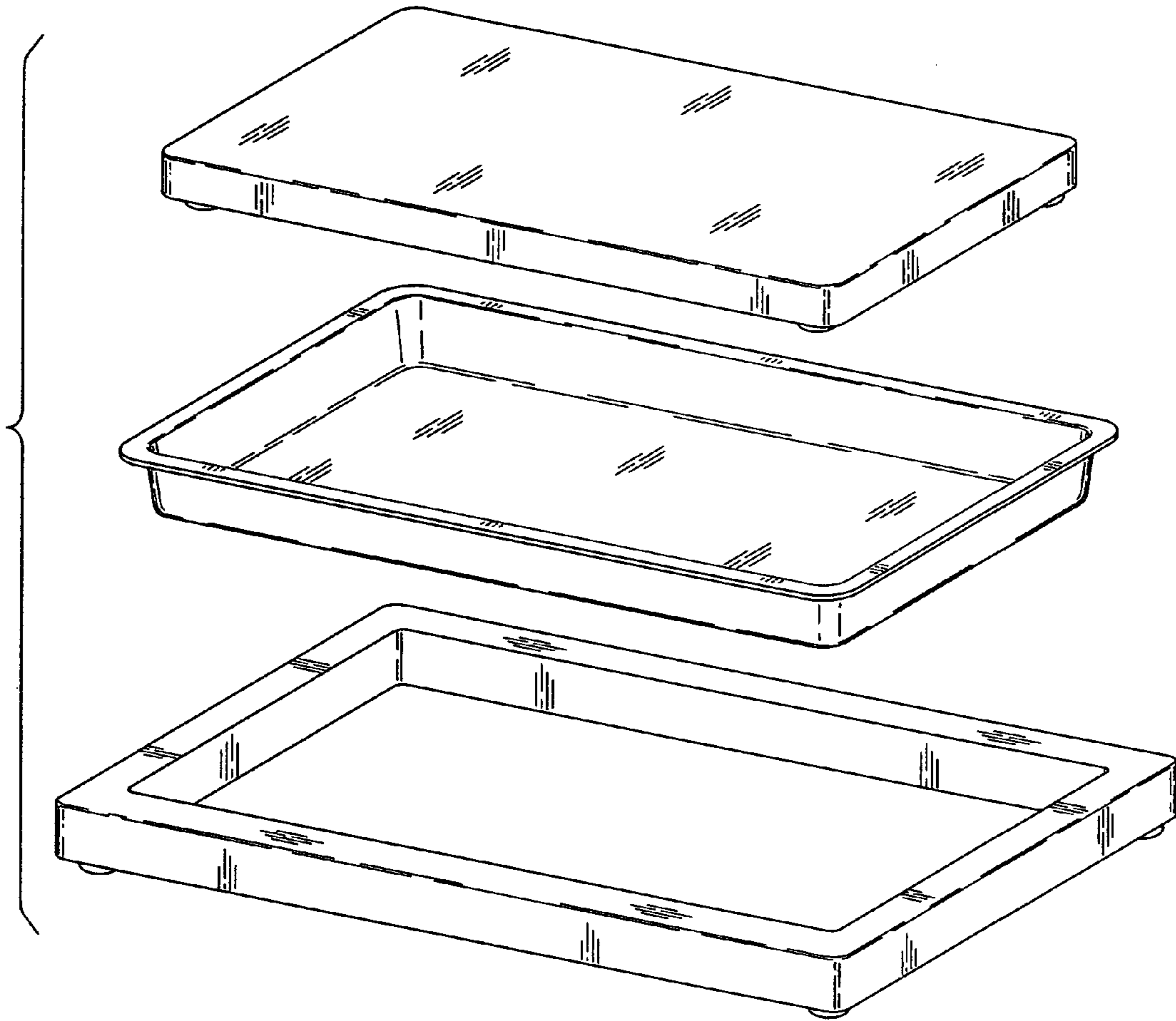


Fig. 2

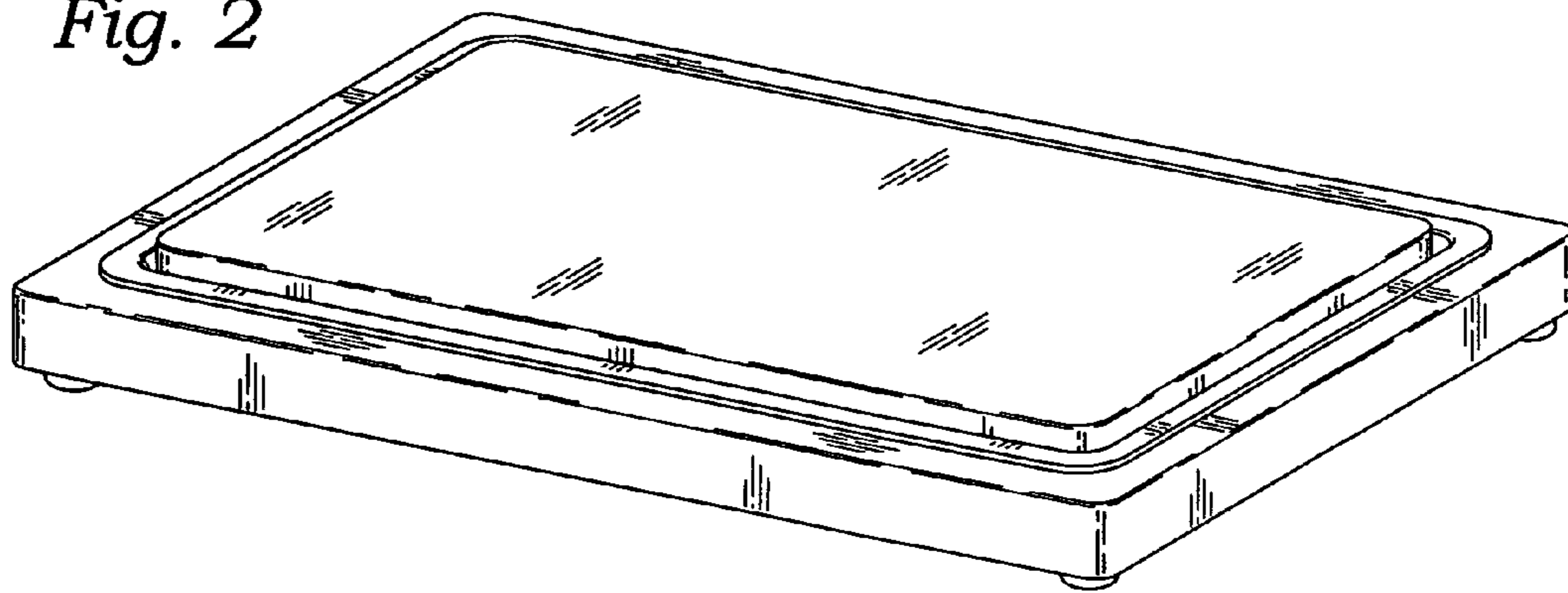


Fig. 3

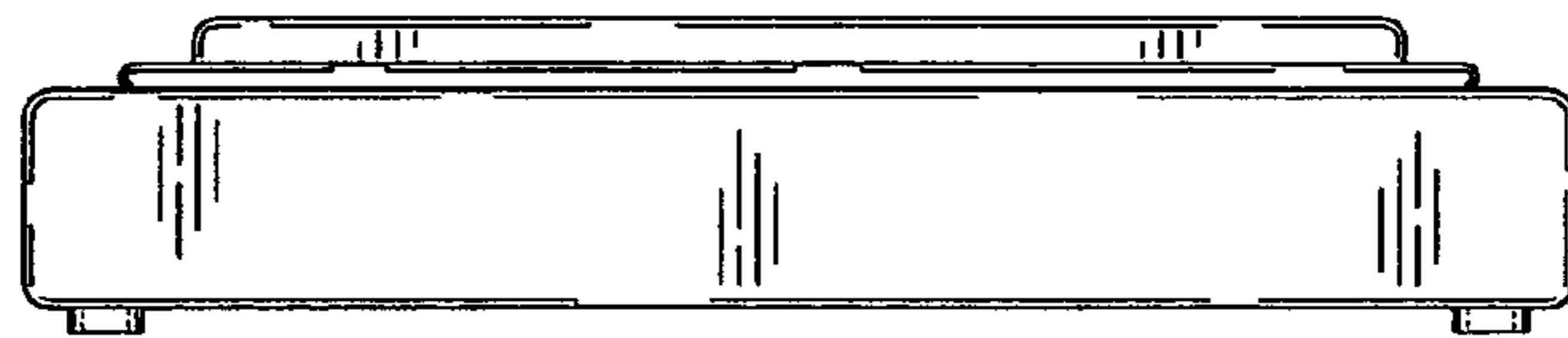


Fig. 4

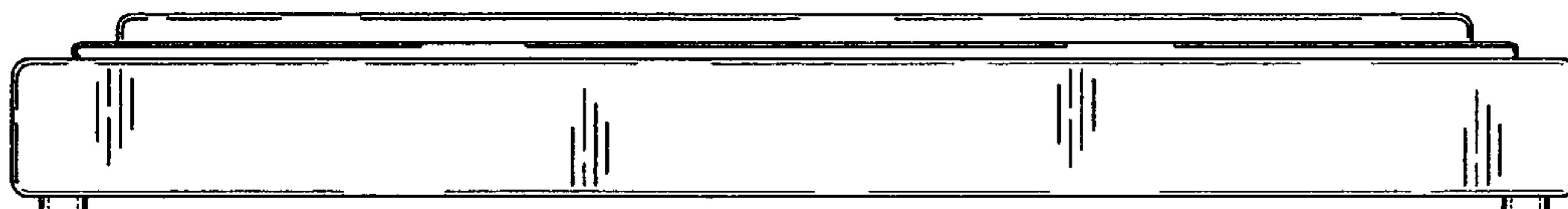


Fig. 5

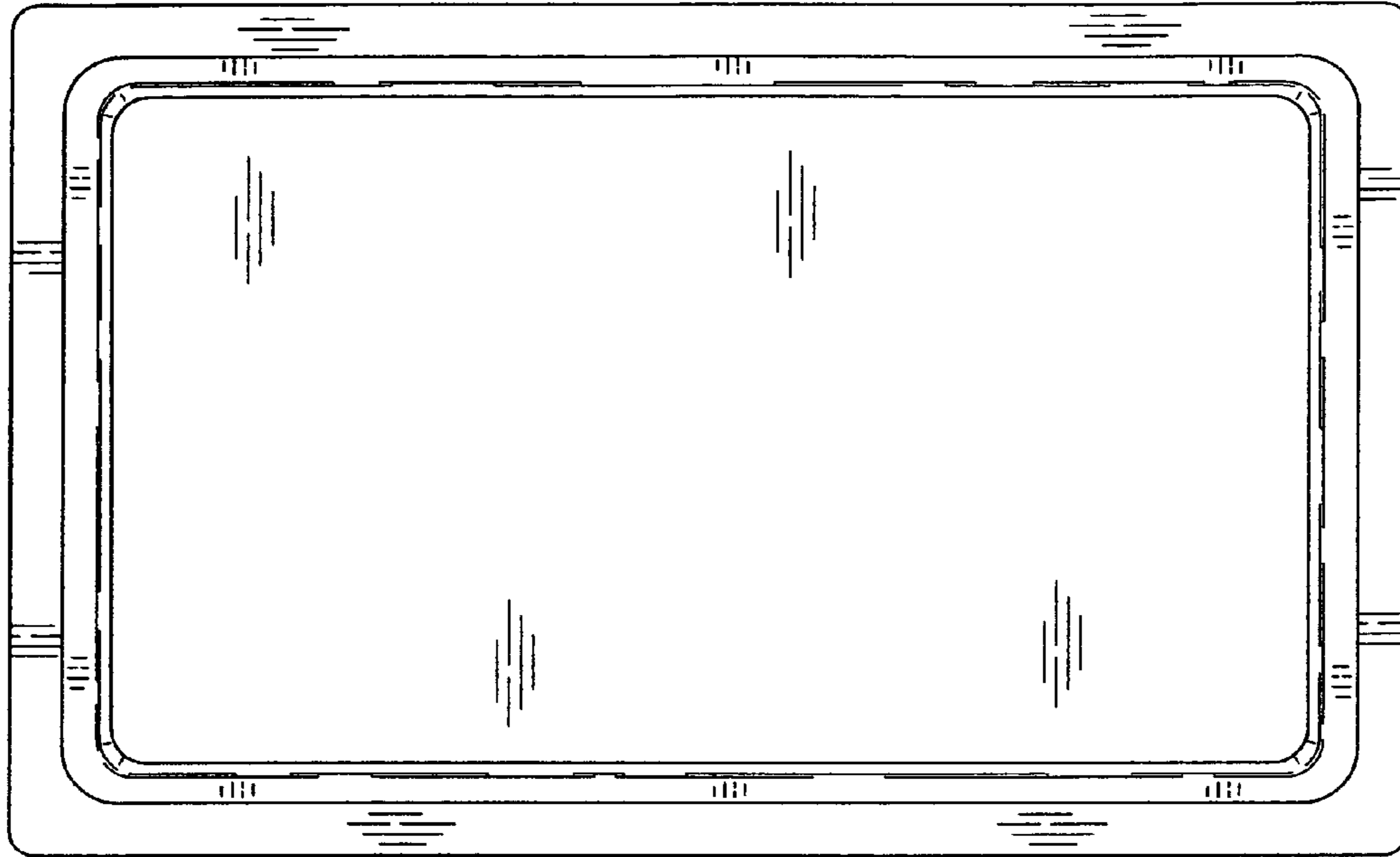


Fig. 6

