



US00D687267S

(12) **United States Design Patent**
Harris et al.

(10) **Patent No.:** **US D687,267 S**
(45) **Date of Patent:** **** Aug. 6, 2013**

- (54) **FOOD CUTTER**
- (75) Inventors: **E. Mark Harris**, McHenry, IL (US);
Frances M. Coursey, Bartlett, IL (US)
- (73) Assignee: **Columbia Insurance Company**,
Omaha, NE (US)
- (**) Term: **14 Years**
- (21) Appl. No.: **29/398,661**
- (22) Filed: **Aug. 3, 2011**
- (51) **LOC (9) Cl.** **07-04**
- (52) **U.S. Cl.**
USPC **D7/673**
- (58) **Field of Classification Search**
USPC D7/323, 350.2, 354, 368, 381, 412,
D7/672-678, 693, 695, 371, 372, 376, 383,
D7/669, 683; 241/100, 95, 168, 169, 273.1-274,
241/285.2, 93, 101.1, 101.2; 30/92-95, 113.1,
30/114, 123.5, 124, 130, 165, 247, 279.6,
30/278, 279.2, 280, 283, 286, 287-291, 299,
30/301-306, 312, 314-316, 320, 321, 337,
30/340, 355, 389-391; 83/13, 87, 167, 404.3,
83/425.3, 431, 435.15, 436.2, 436.7, 437.7,
83/441.1, 451, 569, 581.1, 662, 669, 697,
83/698.11, 699.51, 699.61, 717, 837, 856,
83/857, 858, 874, 906, 932; 249/135, 66.1,
249/117, 119, 122-127, 155-156, 160, 169
See application file for complete search history.

2,618,852 A *	11/1952	Clough	30/299
2,647,549 A	8/1953	Koch		
2,733,746 A	2/1956	Rauner		
2,824,588 A	2/1958	Lyon et al.		
2,971,549 A	2/1961	Langville		
4,007,676 A	2/1977	Ellis		
4,100,676 A	7/1978	Ferguson		
4,569,280 A	2/1986	D'Ambro		
D287,452 S	12/1986	Stern		
4,959,903 A	10/1990	Daoust		
D356,718 S *	3/1995	Johannessen	D7/673
D376,723 S *	12/1996	Asner	D7/359
D393,181 S *	4/1998	Panta	D7/552.2
D413,771 S *	9/1999	So	D7/673

(Continued)

Primary Examiner — Ian Simmons
Assistant Examiner — Shannon Weekley
 (74) *Attorney, Agent, or Firm* — Neal, Gerber & Eisenberg
 LLP

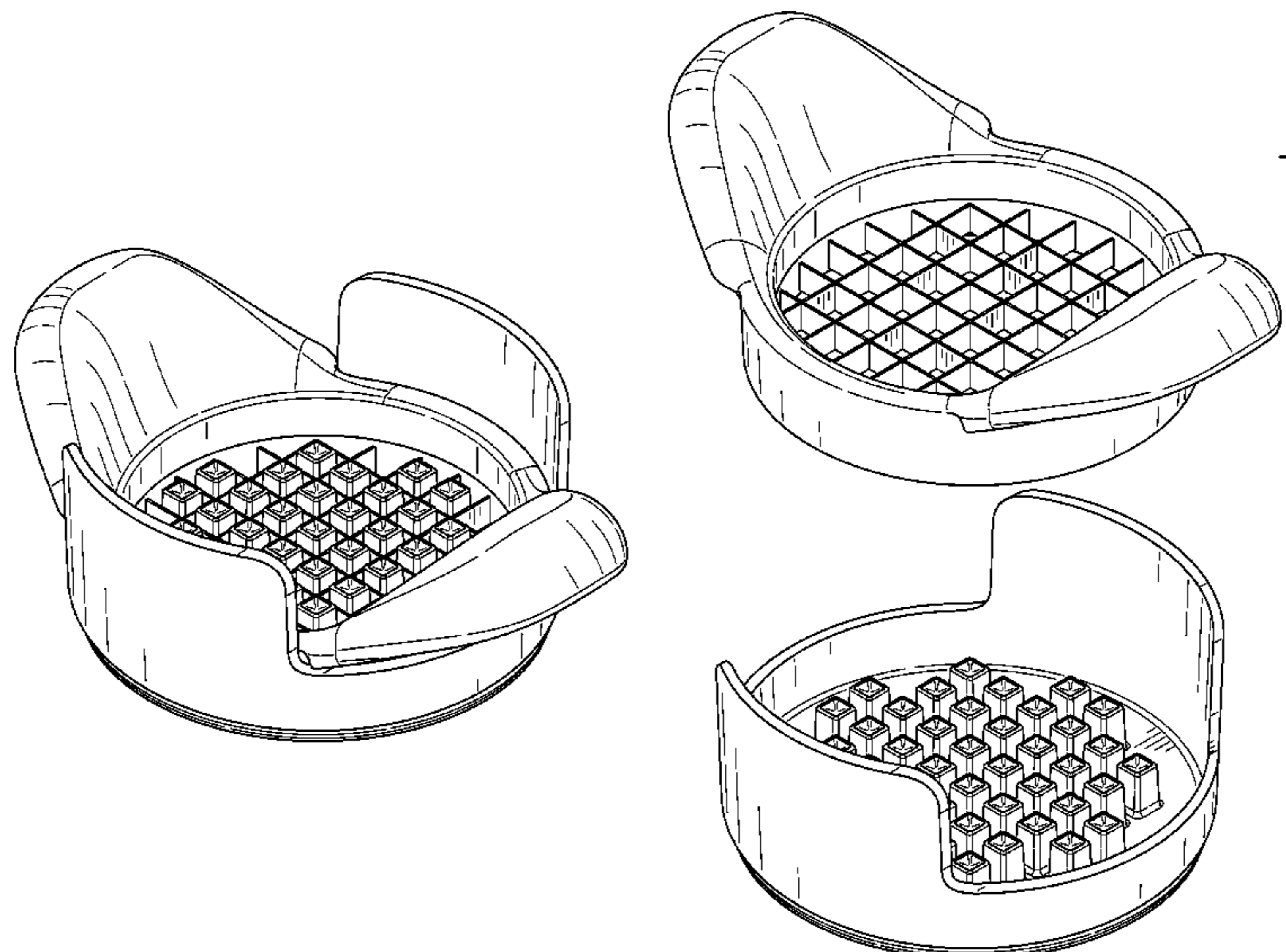
(57) **CLAIM**
 The ornamental design for a food cutter, as shown and described.

DESCRIPTION

FIG. 1 is a top perspective view of the food cutter showing our new design;
 FIG. 2 is a front elevational view thereof;
 FIG. 3 is a rear elevational view thereof;
 FIG. 4 is a right side elevational view thereof;
 FIG. 5 is a left side elevational view thereof;
 FIG. 6 is a top plan view thereof;
 FIG. 7 is a bottom plan view thereof; and,
 FIG. 8 is an exploded top perspective view of the food cutter of FIG. 1.
 The broken lines immediately adjacent to claimed areas shown in FIG. 7 of the food cutter is for the purpose of illustrating environment, and forms no part of the claimed design.

1 Claim, 5 Drawing Sheets

- (56) **References Cited**
 U.S. PATENT DOCUMENTS
 195,750 A 10/1877 East
 1,744,422 A 1/1930 Taylor
 1,864,147 A 6/1932 Rantine
 2,206,316 A 7/1940 Bartholomew
 2,424,015 A 7/1947 Booker
 D149,622 S 5/1948 Dougherty
 2,502,157 A 3/1950 Klejna



US D687,267 S

Page 2

U.S. PATENT DOCUMENTS

D432,874	S	10/2000	Kari	
6,276,918	B1	8/2001	Slaughter et al.	
D457,788	S *	5/2002	Hornsby, IV D7/672
D473,109	S	4/2003	Birchansky	
6,557,260	B1	5/2003	Morris	
D501,371	S	2/2005	Lo	
D513,150	S *	12/2005	Asner D7/354
D521,819	S	5/2006	So et al.	
7,086,155	B2	8/2006	Chan et al.	
D547,620	S *	7/2007	Walzak et al. D7/673
D550,521	S	9/2007	Roberson	
7,266,894	B1	9/2007	Hinckley	
D582,220	S	12/2008	Farnum et al.	
7,480,999	B2	1/2009	Atwater	
7,568,414	B2	8/2009	Farid et al.	
7,610,850	B2	11/2009	Jensen	
7,658,010	B2	2/2010	So et al.	
7,836,822	B2	11/2010	Cheng	
D648,989	S *	11/2011	Coursey et al. D7/673
D649,413	S *	11/2011	Coursey et al. D7/673
D650,246	S *	12/2011	Harris et al. D7/673
D650,247	S *	12/2011	Harris et al. D7/673
2005/0150117	A1 *	7/2005	Walzak et al. 30/302
2006/0254058	A1	11/2006	Chang	
2008/0168660	A1	7/2008	Chiu	
2008/0216628	A1	9/2008	Hamilton	
2008/0229938	A1	9/2008	Hutto	
2009/0193983	A1	8/2009	So	
2009/0205514	A1	8/2009	Cheng	
2009/0241344	A1	10/2009	Mastroianni	
2009/0246311	A1 *	10/2009	Hauser 425/519
2009/0249965	A1	10/2009	Hauser	
2009/0282990	A1	11/2009	Farnum	
2012/0102760	A1 *	5/2012	Hauser 30/302
2013/0025130	A1 *	1/2013	Bagley et al. 30/114

* cited by examiner

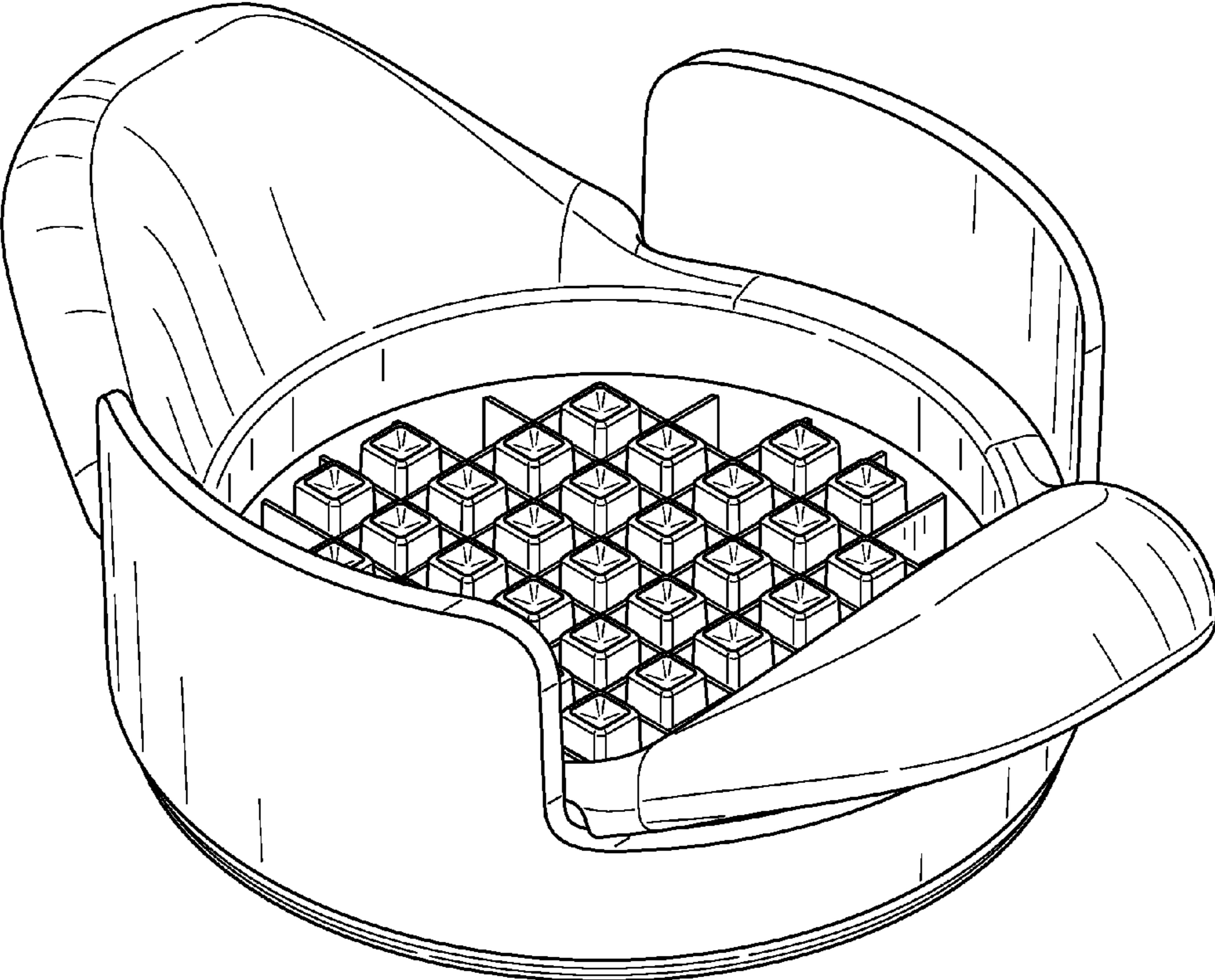


FIG. 1

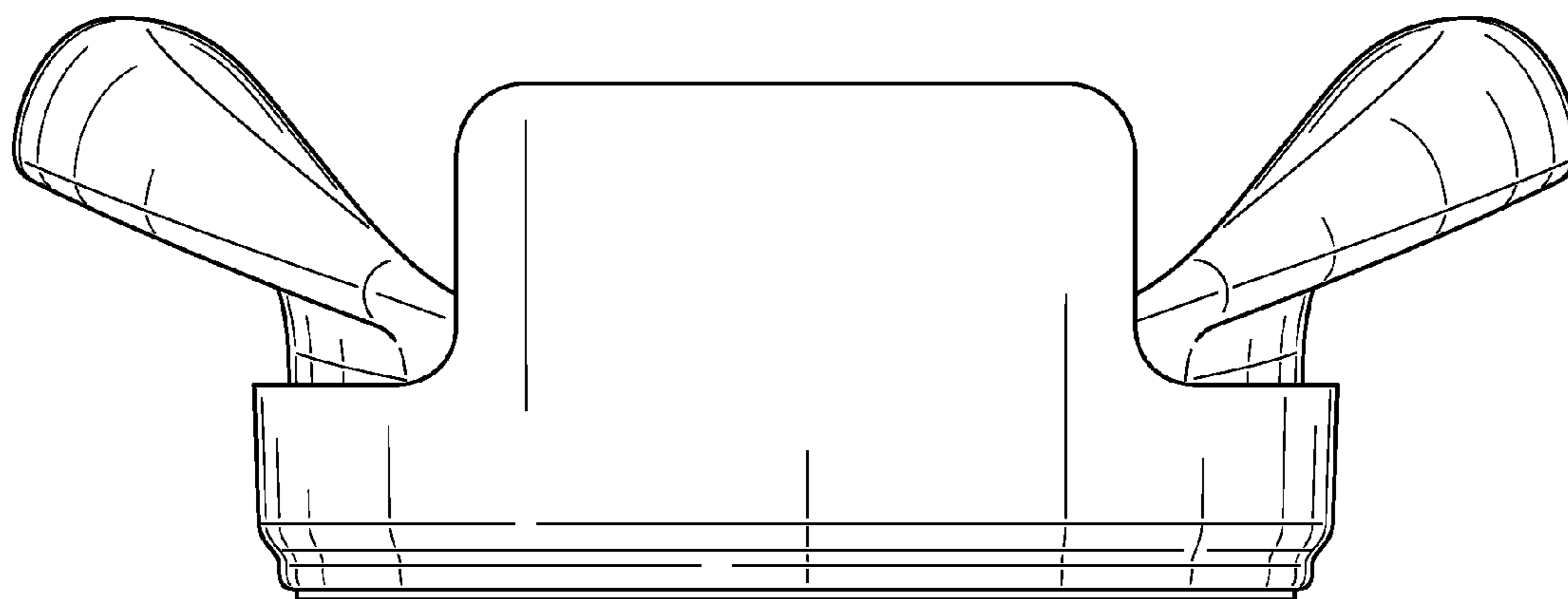


FIG. 2

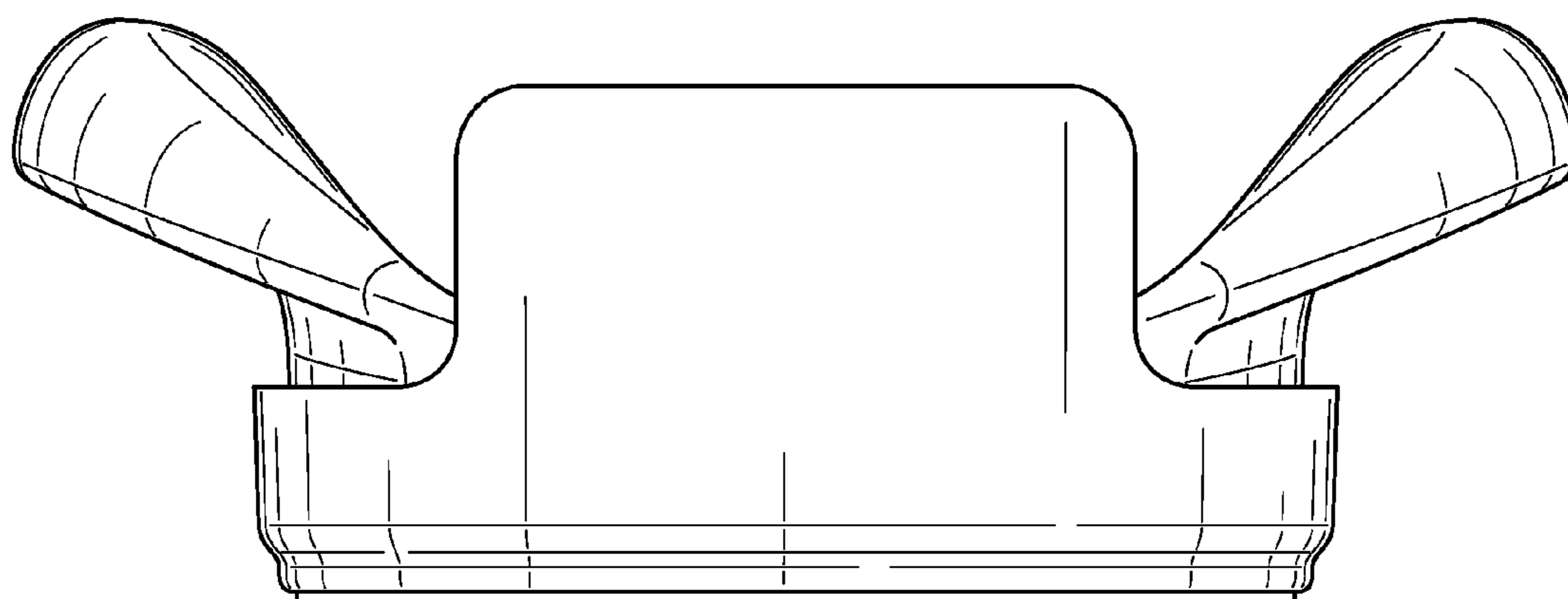


FIG. 3

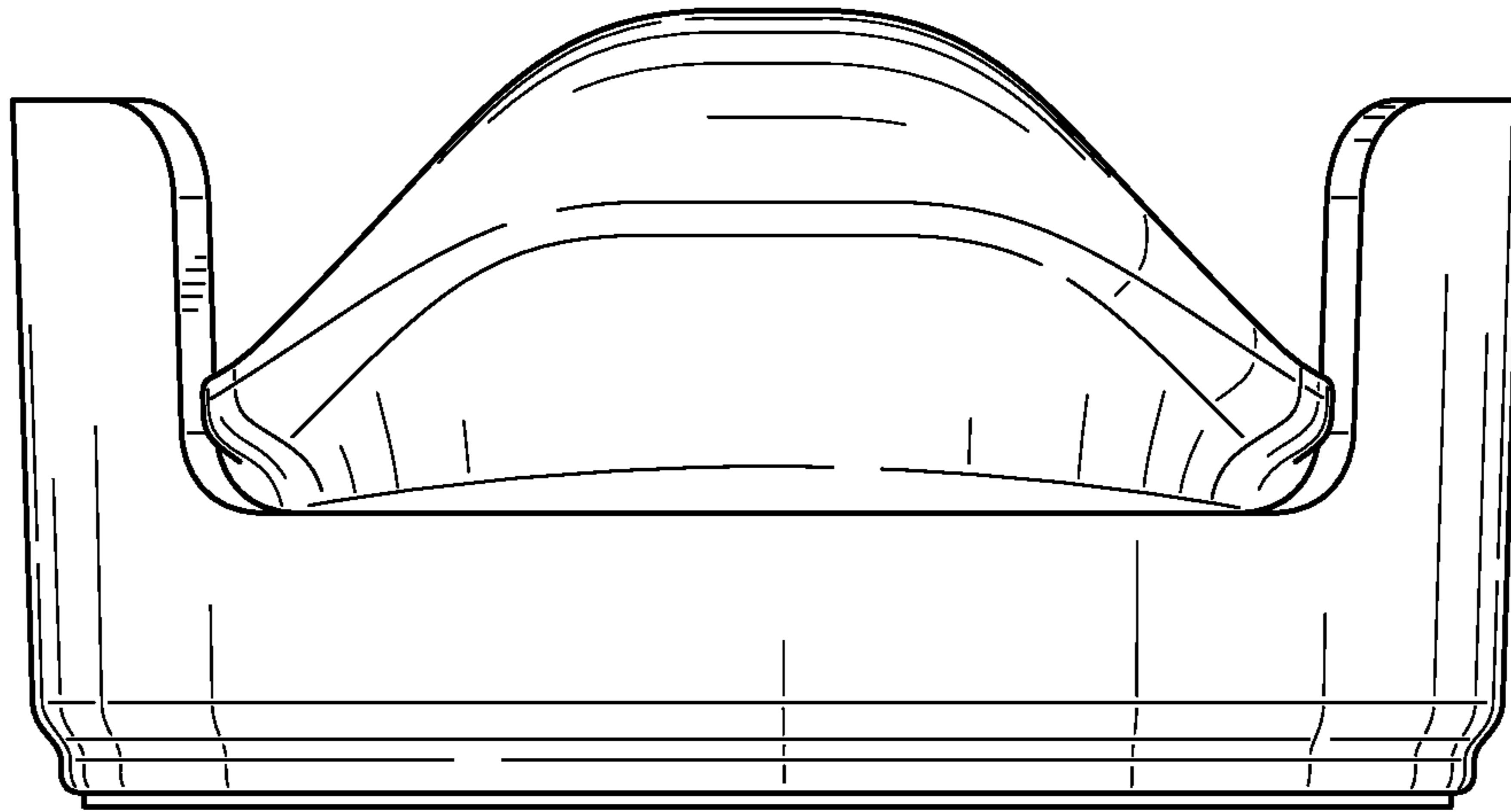


FIG. 4

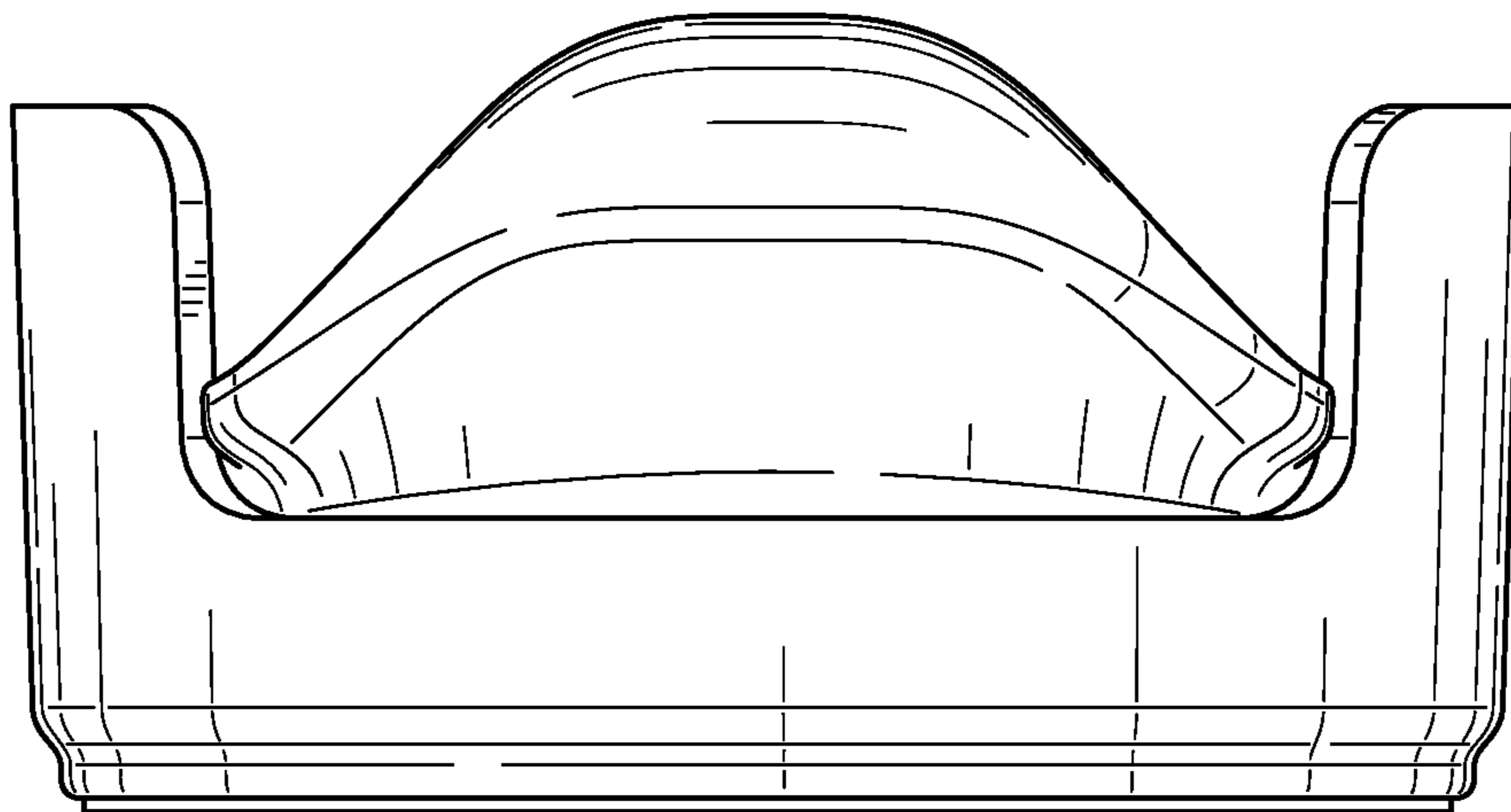


FIG. 5

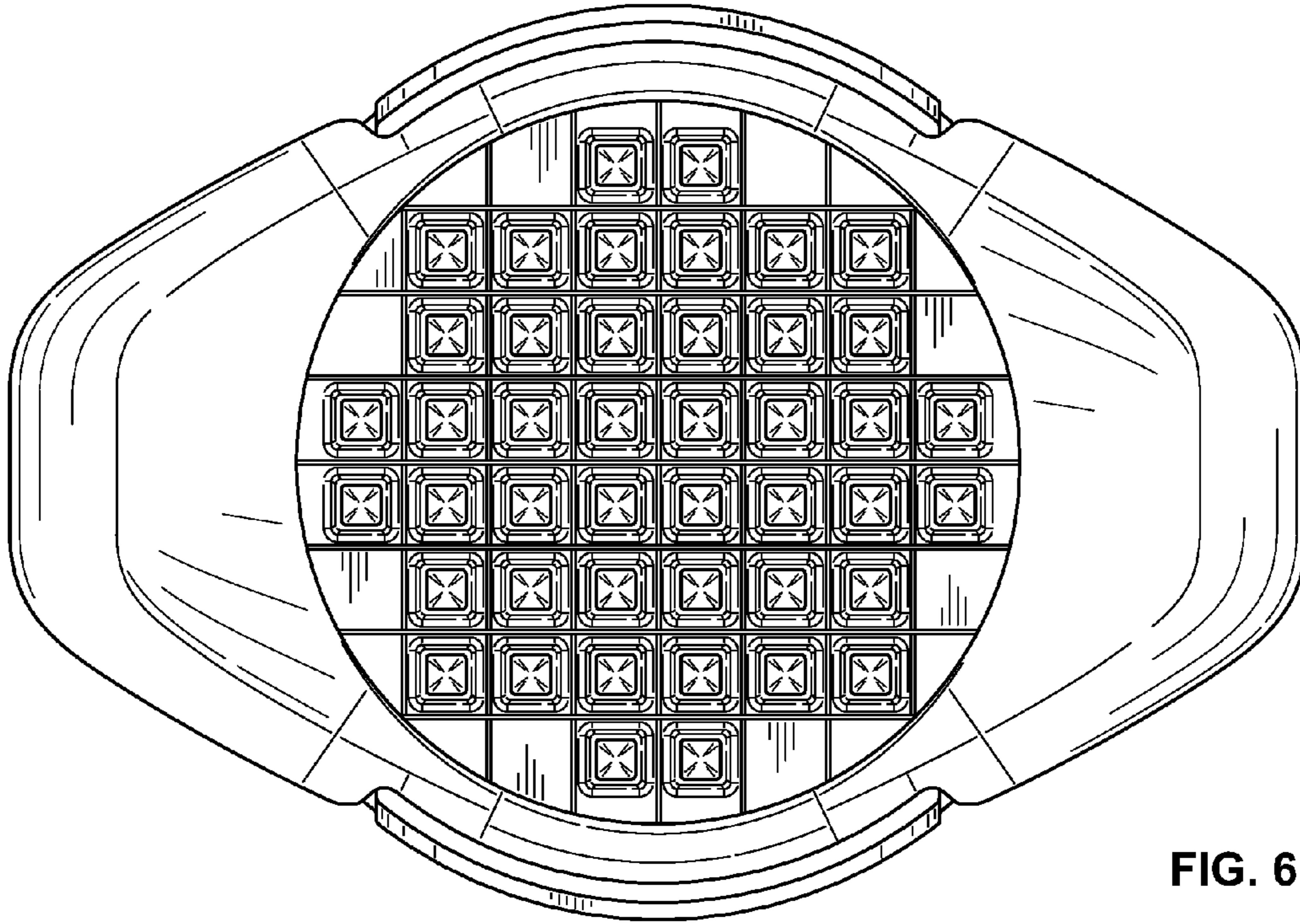


FIG. 6

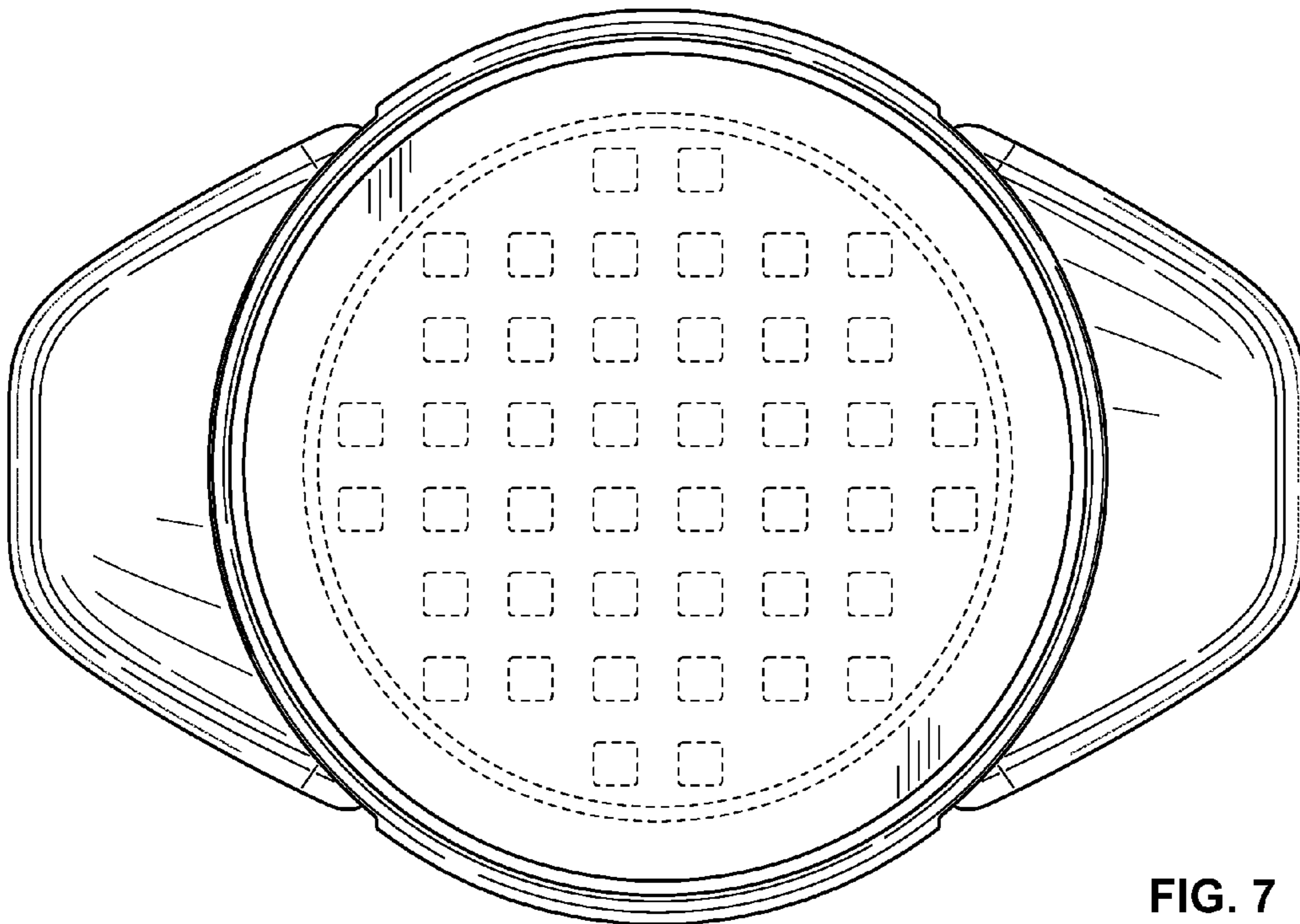


FIG. 7

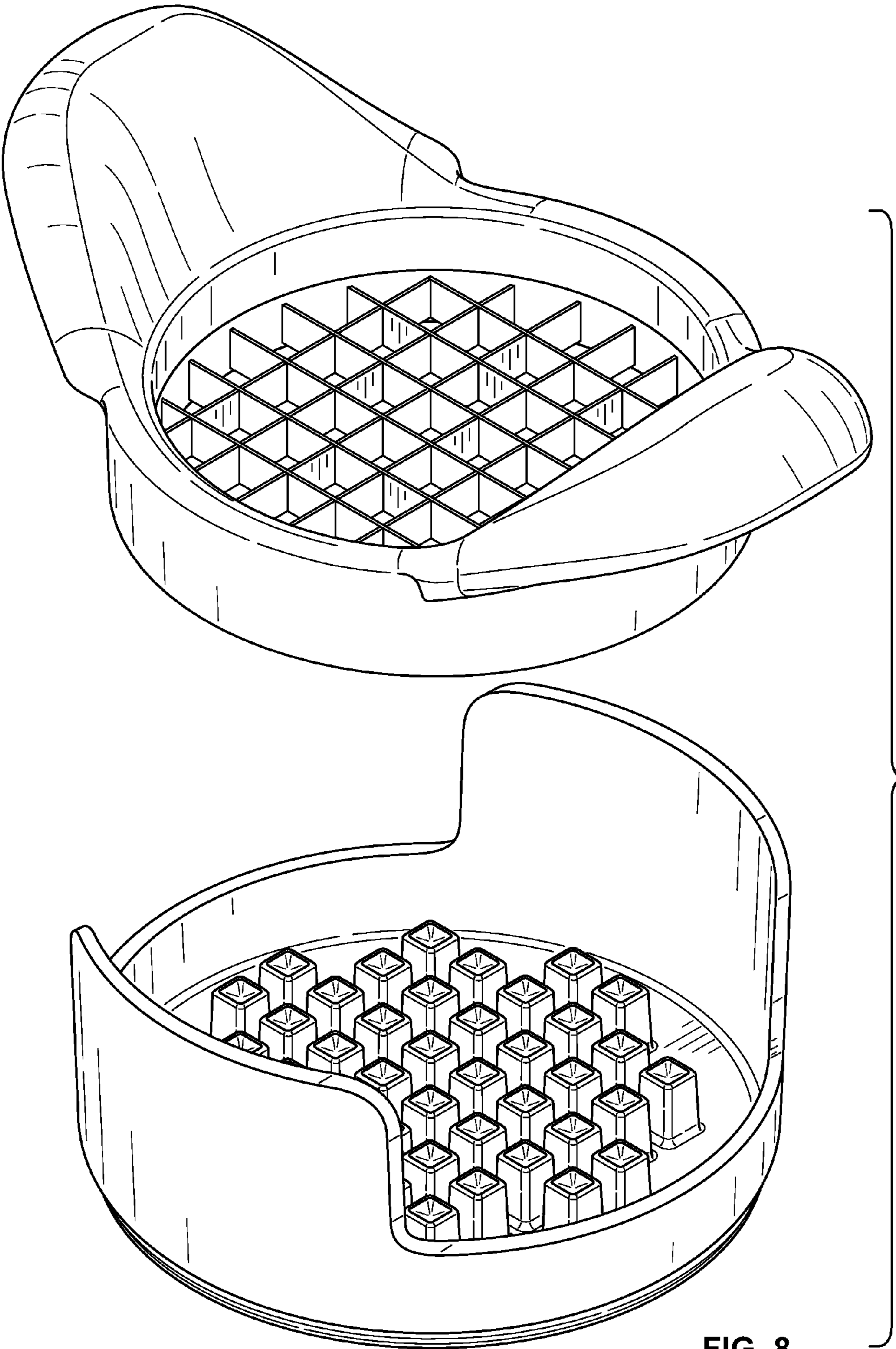


FIG. 8