



US00D687266S

(12) **United States Design Patent**  
**Cloutier et al.**

(10) **Patent No.:** **US D687,266 S**

(45) **Date of Patent:** **\*\* Aug. 6, 2013**

(54) **TWO PART EGG SEPARATOR**

(71) Applicant: **Magellan Group, Ltd.**, Blaine, WA  
(US)

(72) Inventors: **Andre Dean Cloutier**, Blaine, WA (US);  
**Edwin Cheong**, Blaine, WA (US);  
**Debra Lynne Sasken-Duff**, Blaine, WA  
(US); **Michelle Richards**, Blaine, WA  
(US)

(73) Assignee: **Magellan Group, Ltd.**, Blaine, WA  
(US)

(\*\*) Term: **14 Years**

(21) Appl. No.: **29/433,557**

(22) Filed: **Oct. 1, 2012**

(51) **LOC (9) Cl.** ..... **07-04**

(52) **U.S. Cl.**  
USPC ..... **D7/667**

(58) **Field of Classification Search**  
USPC ..... D7/666, 667, 368, 669, 700; 30/120.1;  
99/495-510, 567, 568  
See application file for complete search history.

(56) **References Cited**

U.S. PATENT DOCUMENTS

1,868,336 A \* 7/1932 Parsons ..... 210/532.1

2,001,815 A \* 5/1935 Clark et al. .... 99/497  
D391,455 S \* 3/1998 Wallays ..... D7/669  
6,095,038 A \* 8/2000 Cerro ..... 99/499

\* cited by examiner

*Primary Examiner* — Terry Wallace

(74) *Attorney, Agent, or Firm* — Dwayne E. Rogge; Schacht  
Law Office, Inc.

(57) **CLAIM**

The ornamental design for a two part egg separator, as shown  
and described.

**DESCRIPTION**

FIG. 1 is a top isometric view of our two part egg separator  
thereof.

FIG. 2 is a bottom isometric view thereof.

FIG. 3 is a side view thereof with all side views having the  
same image, the parts shown separately for clarity of illustration.

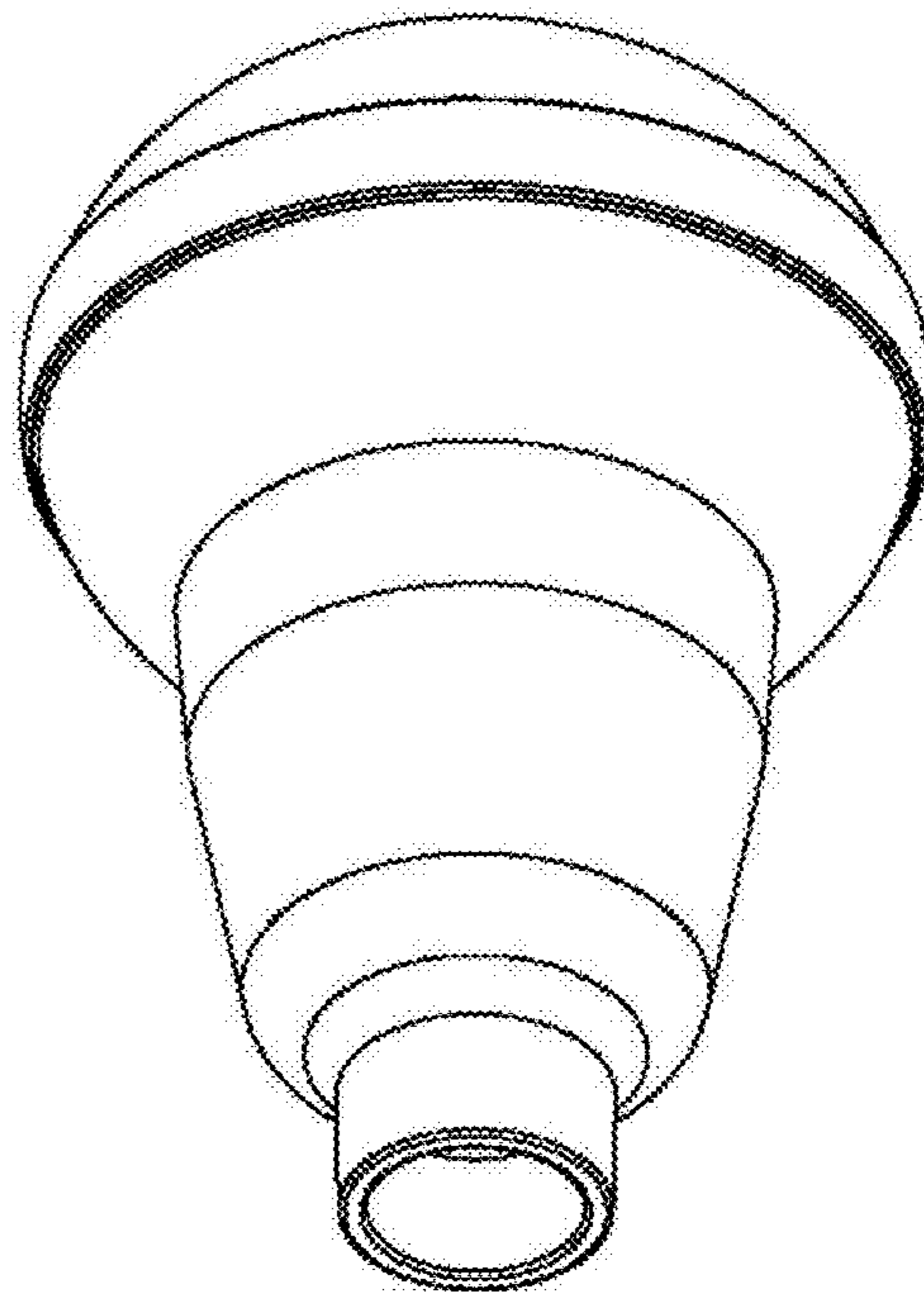
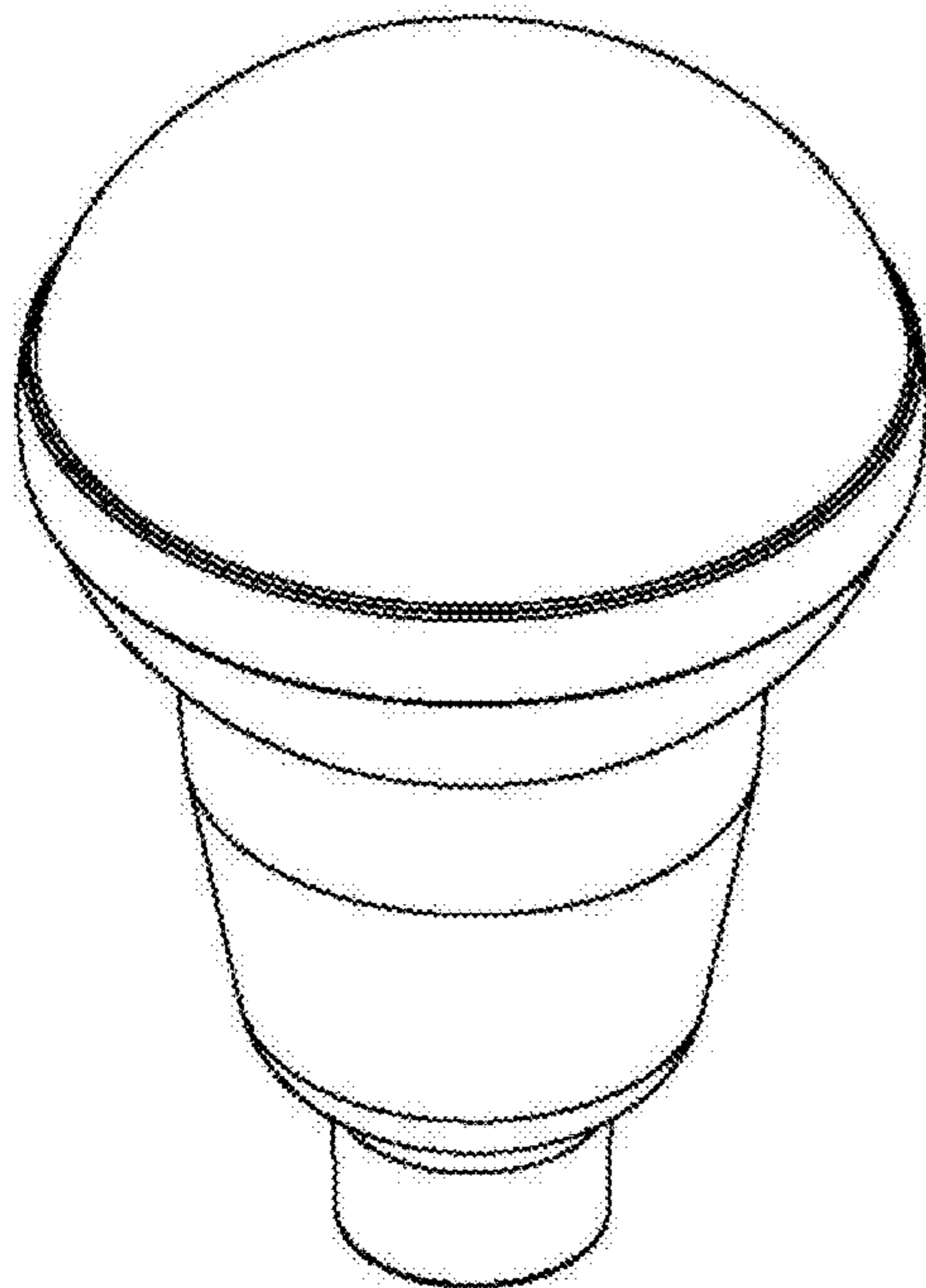
FIG. 4 is a side view thereof with all side views having the  
same image thereof.

FIG. 5 is a sectional surface view thereof taken along line 5-5  
of FIG. 4, shown for clarity of illustration side hidden line  
view thereof shown for illustrative purposes.

FIG. 6 is a bottom view thereof; and,

FIG. 7 is a top view thereof.

**1 Claim, 2 Drawing Sheets**



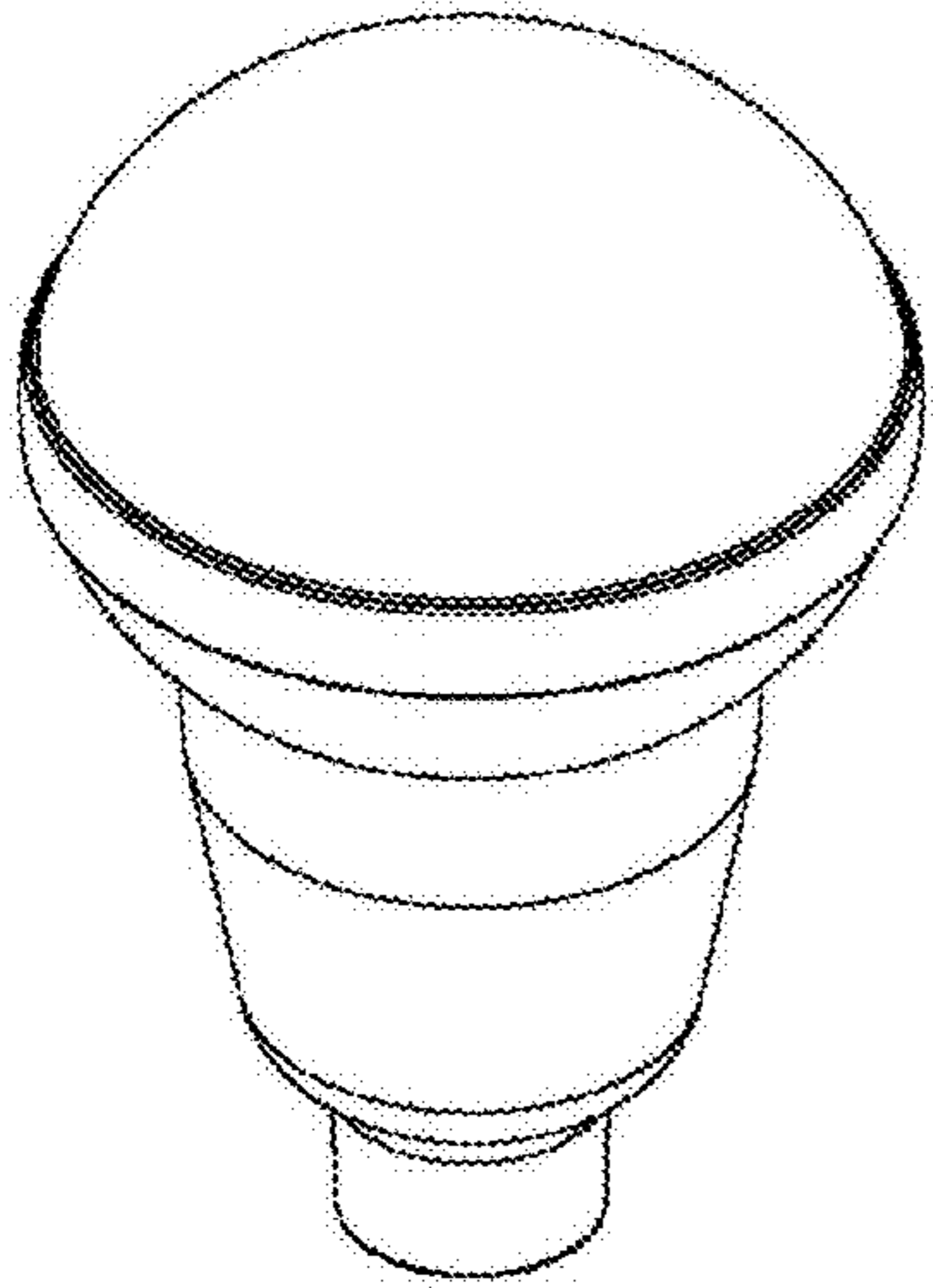


Fig. 1

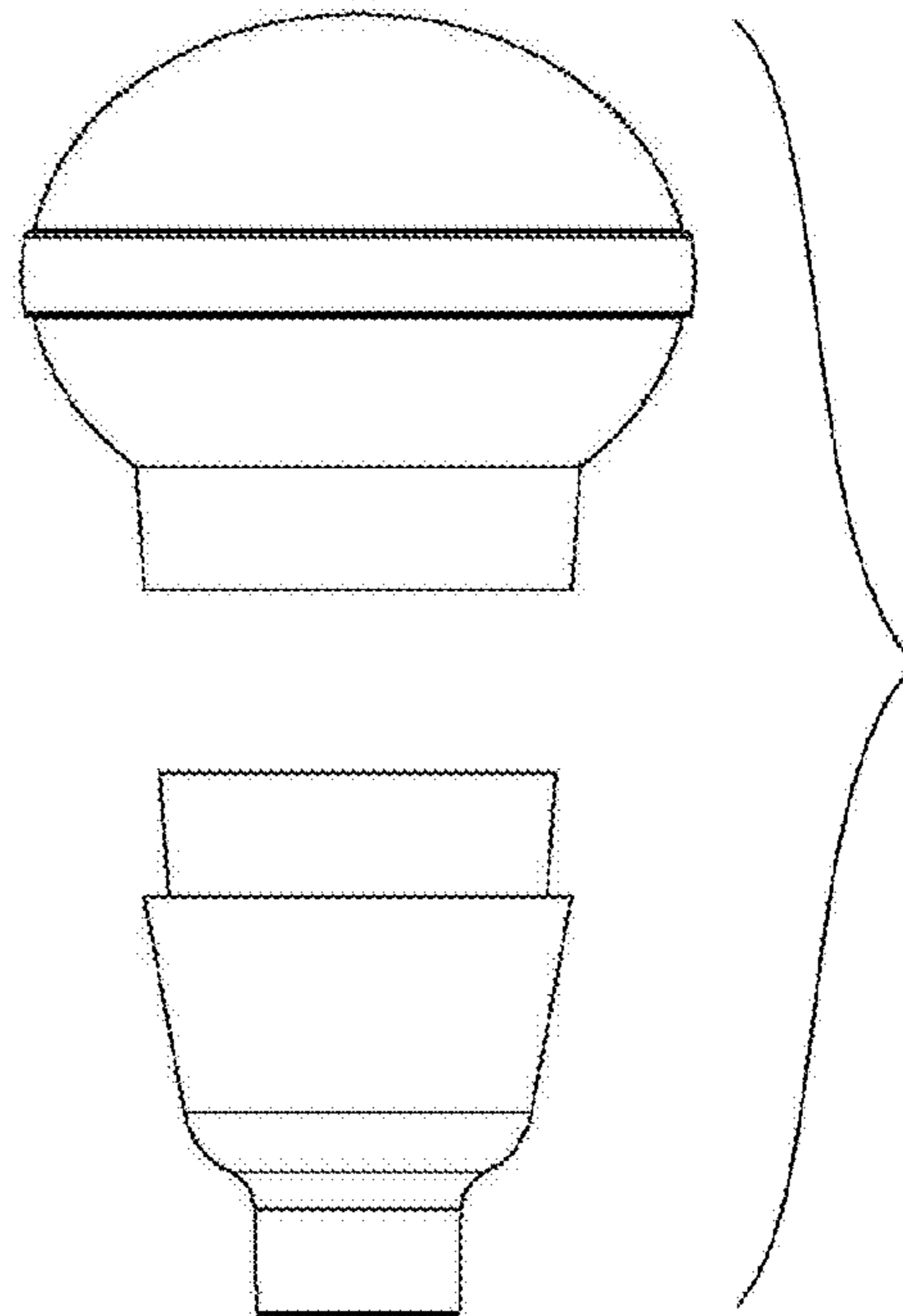


Fig. 3

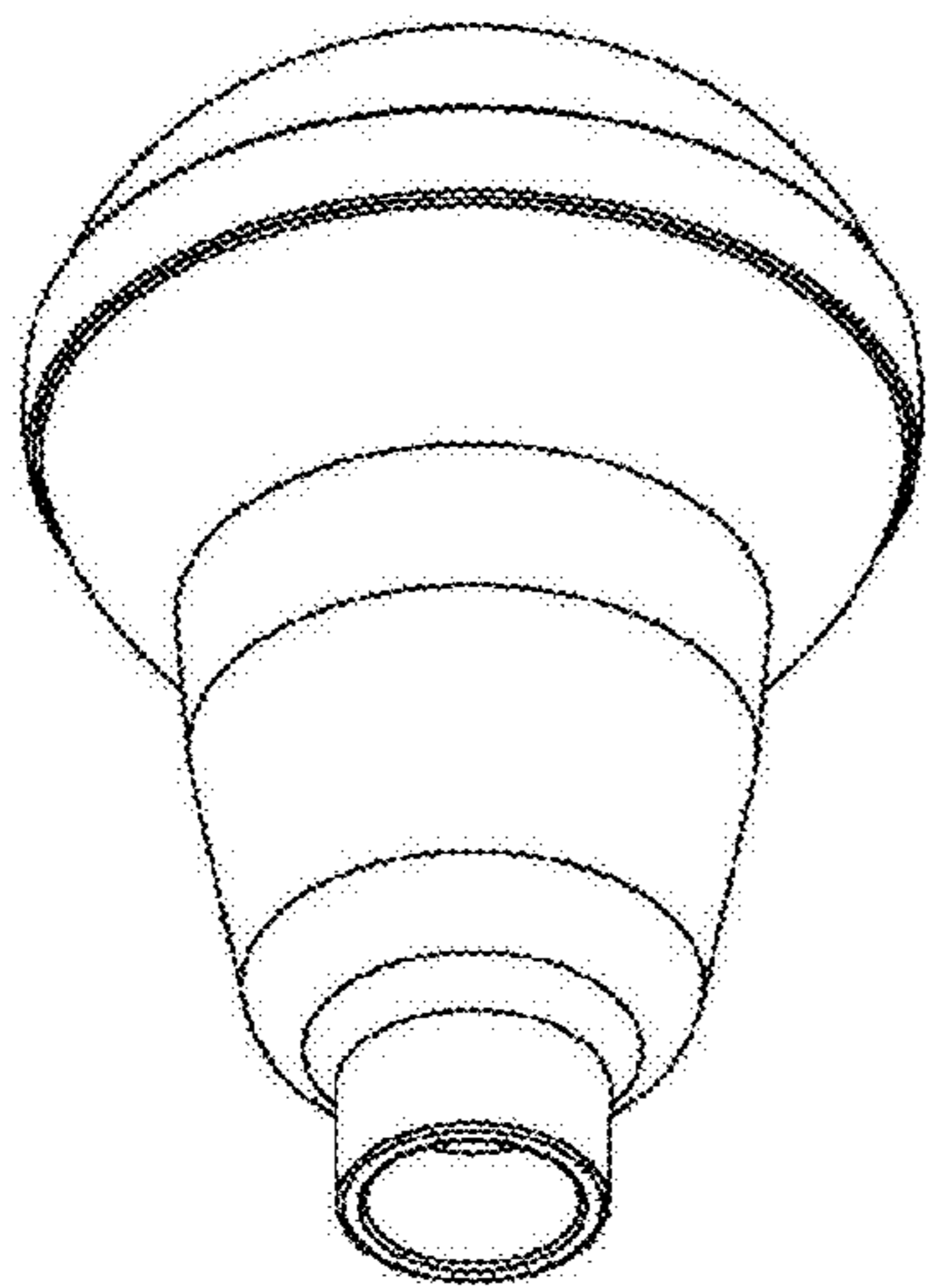


Fig. 2

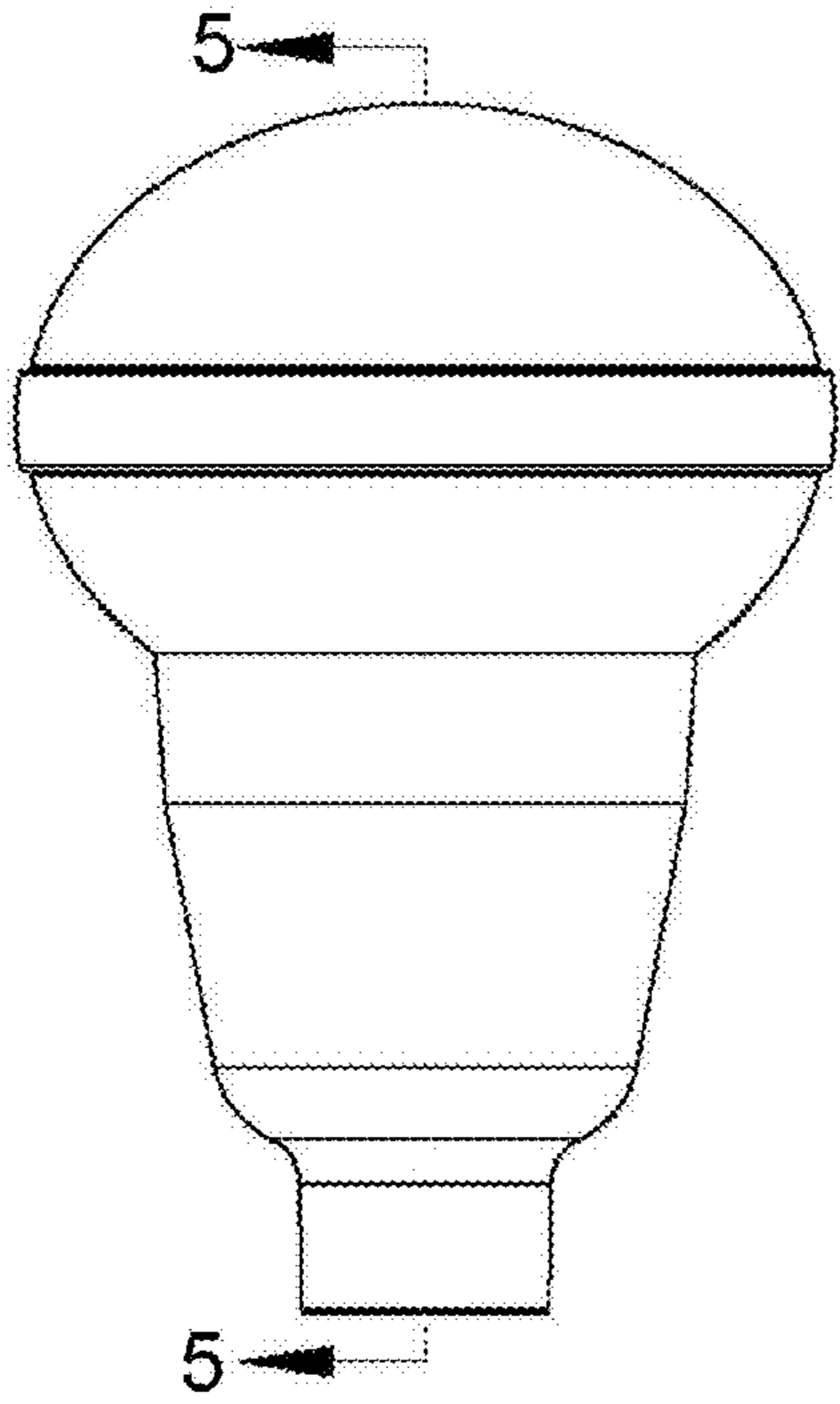


Fig. 4

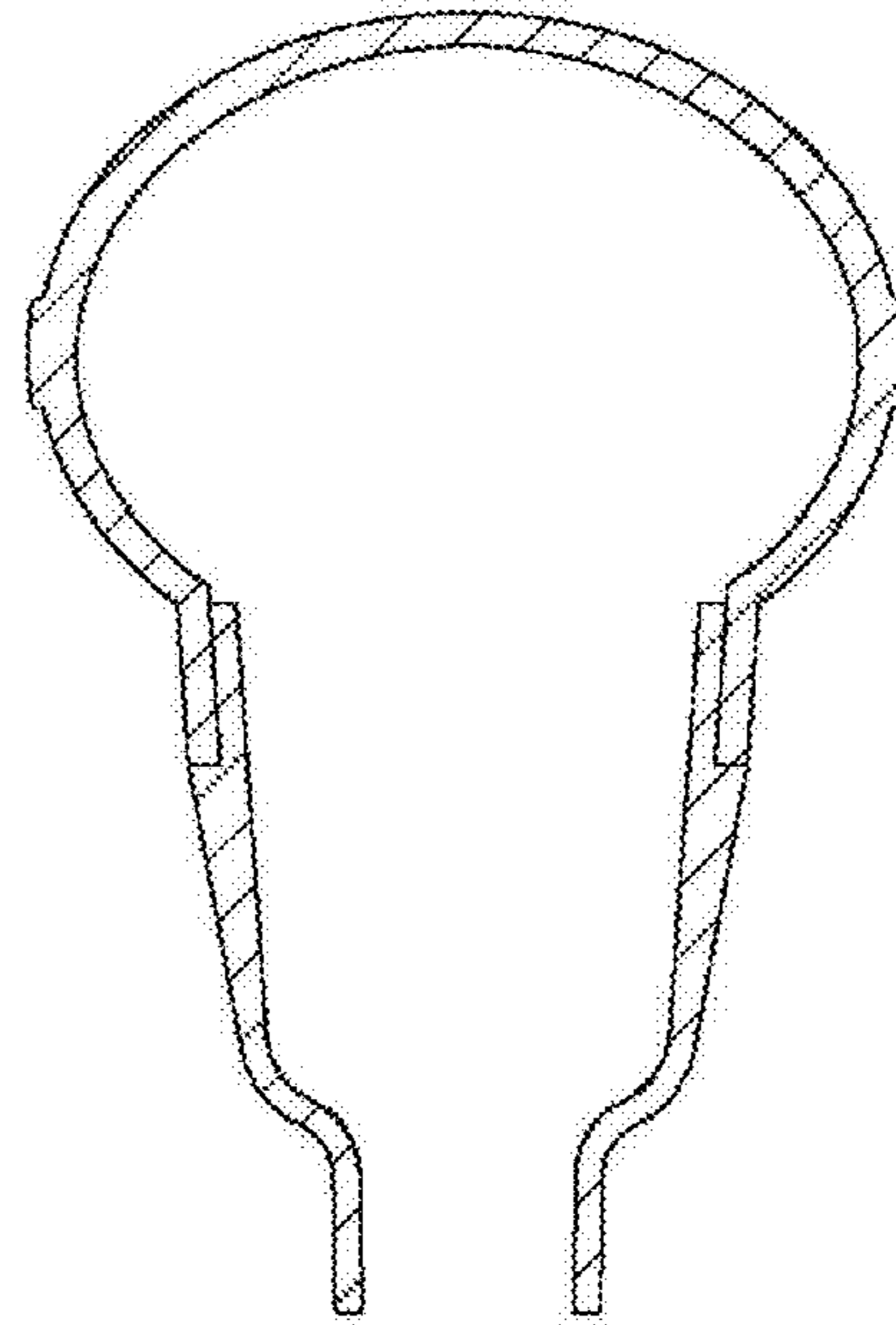


Fig. 5

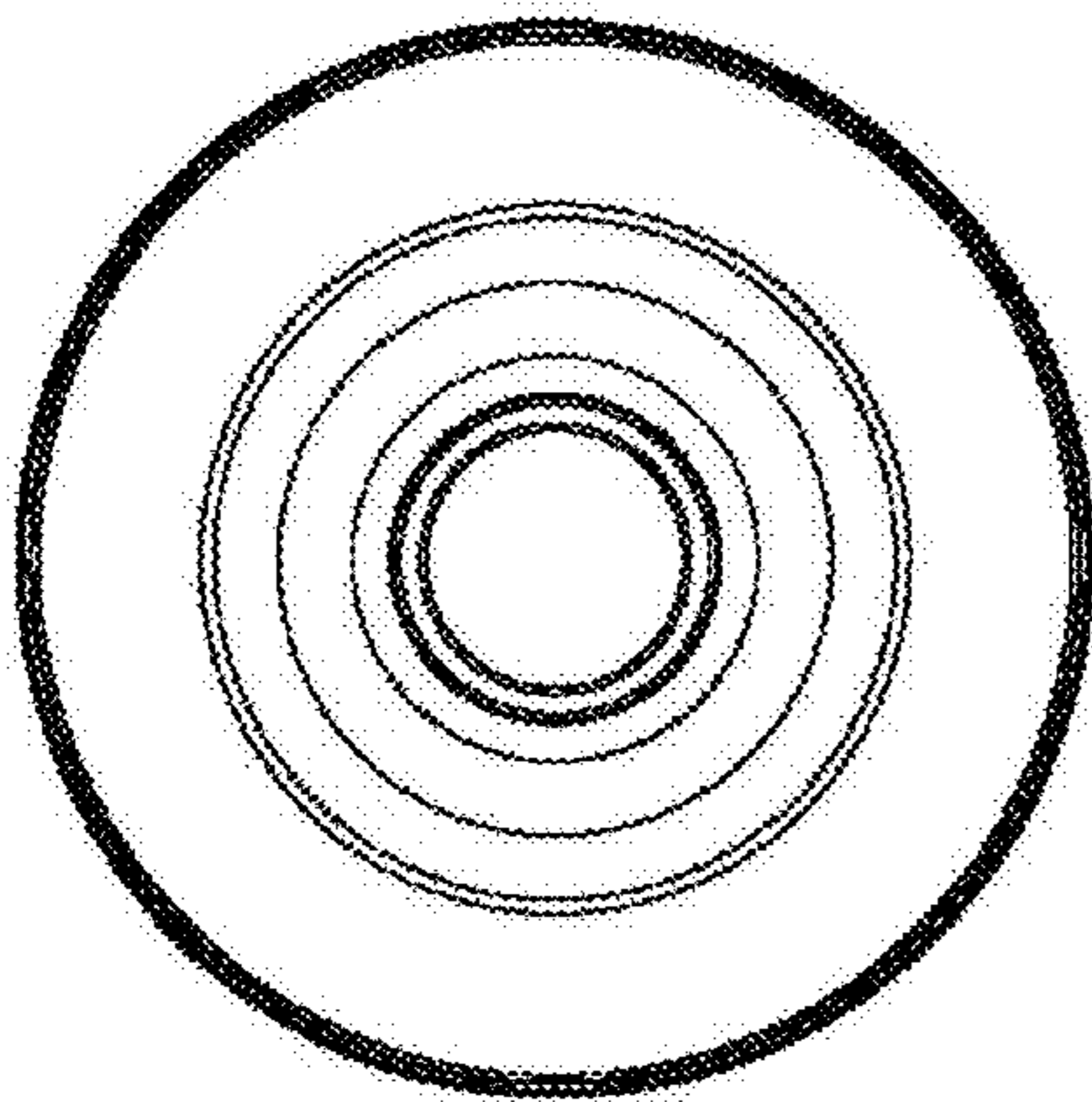


Fig. 6

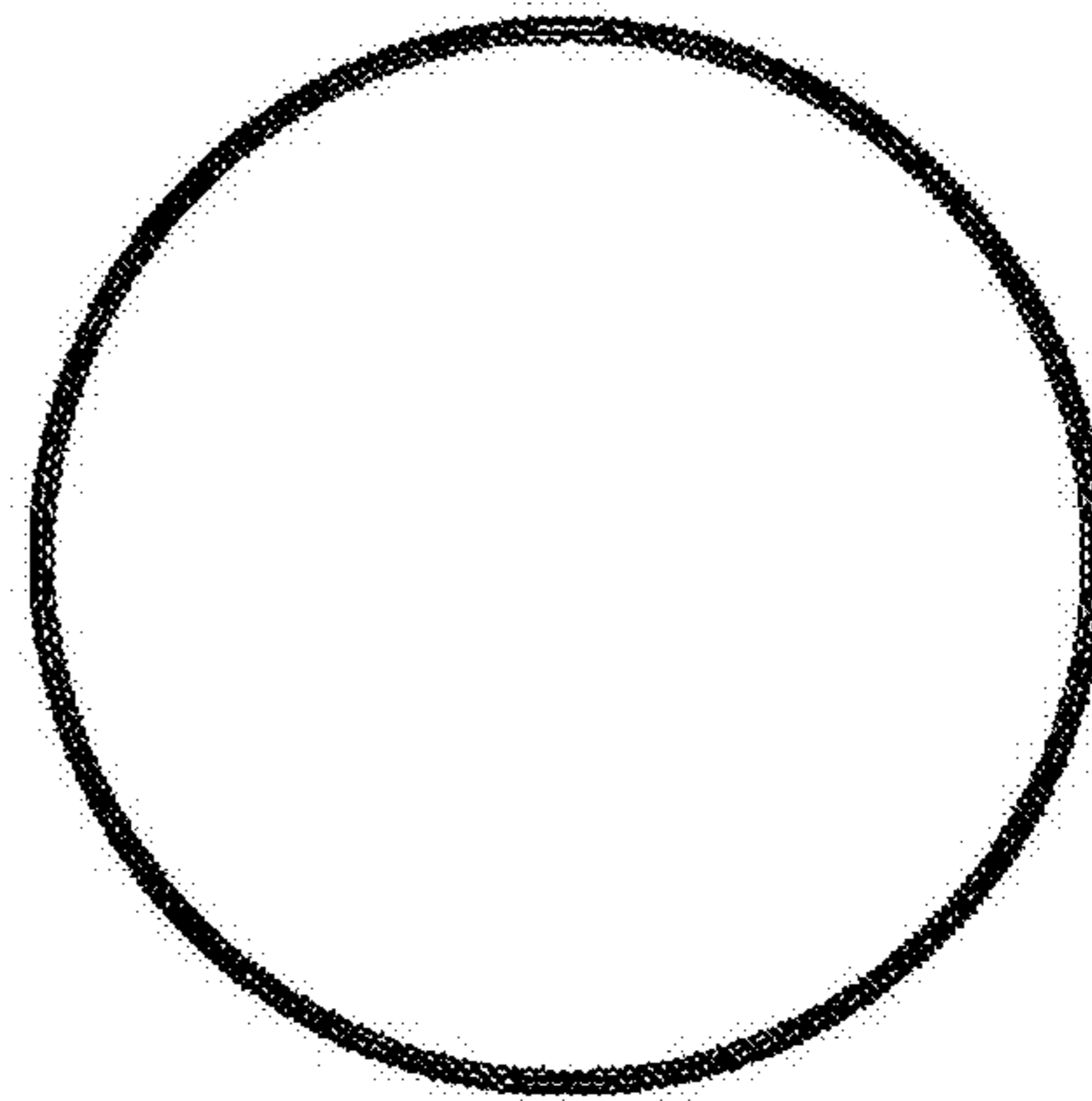


Fig. 7