



US00D687265S

(12) **United States Design Patent**  
**Cloutier et al.**

(10) **Patent No.:** **US D687,265 S**

(45) **Date of Patent:** **\*\* Aug. 6, 2013**

(54) **EGG SEPARATOR**

(71) Applicant: **Magellan Group, Ltd.**, Blaine, WA (US)

(72) Inventors: **Andre Dean Cloutier**, Blaine, WA (US);  
**Edwin Cheong**, Blaine, WA (US);  
**Debra Lynne Sasken-Duff**, Blaine, WA (US);  
**Michelle Richards**, Blaine, WA (US)

(73) Assignee: **Magellan Group, Ltd.**, Blaine, WA (US)

(\*\*) Term: **14 Years**

(21) Appl. No.: **29/433,552**

(22) Filed: **Oct. 1, 2012**

(51) **LOC (9) Cl.** ..... **07-04**

(52) **U.S. Cl.**  
USPC ..... **D7/667**

(58) **Field of Classification Search**  
USPC ..... D7/666, 667, 368, 669, 700; 30/120.1;  
99/495-510, 567, 568

See application file for complete search history.

(56) **References Cited**

U.S. PATENT DOCUMENTS

1,868,336	A *	7/1932	Parsons	.....	210/532.1
2,001,815	A *	5/1935	Clark et al.	.....	99/497
D391,455	S *	3/1998	Wallays	.....	D7/669
6,095,038	A *	8/2000	Cerro	.....	99/499

\* cited by examiner

*Primary Examiner* — Terry Wallace

(74) *Attorney, Agent, or Firm* — Dwayne E. Rogge; Schacht Law Office, Inc.

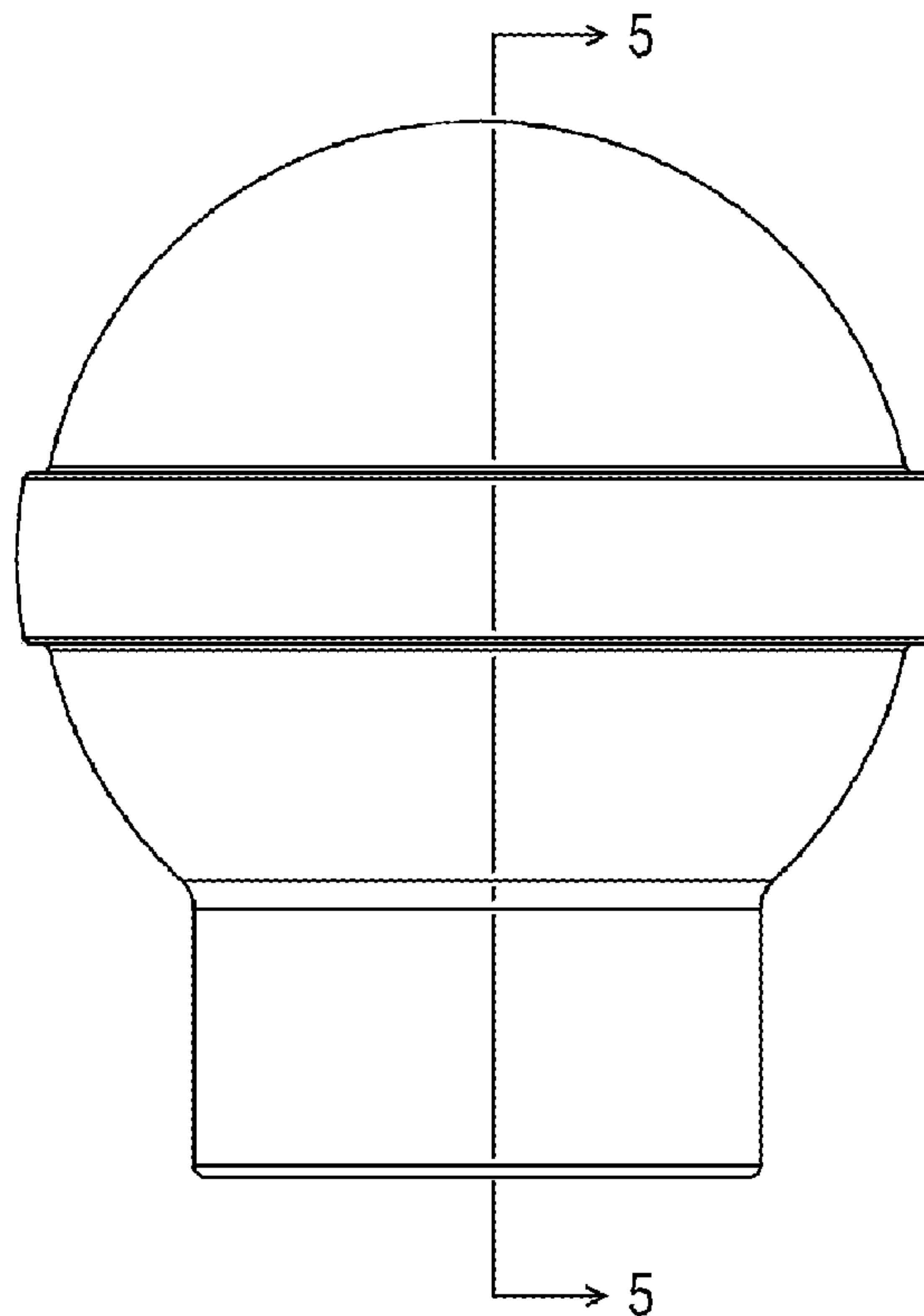
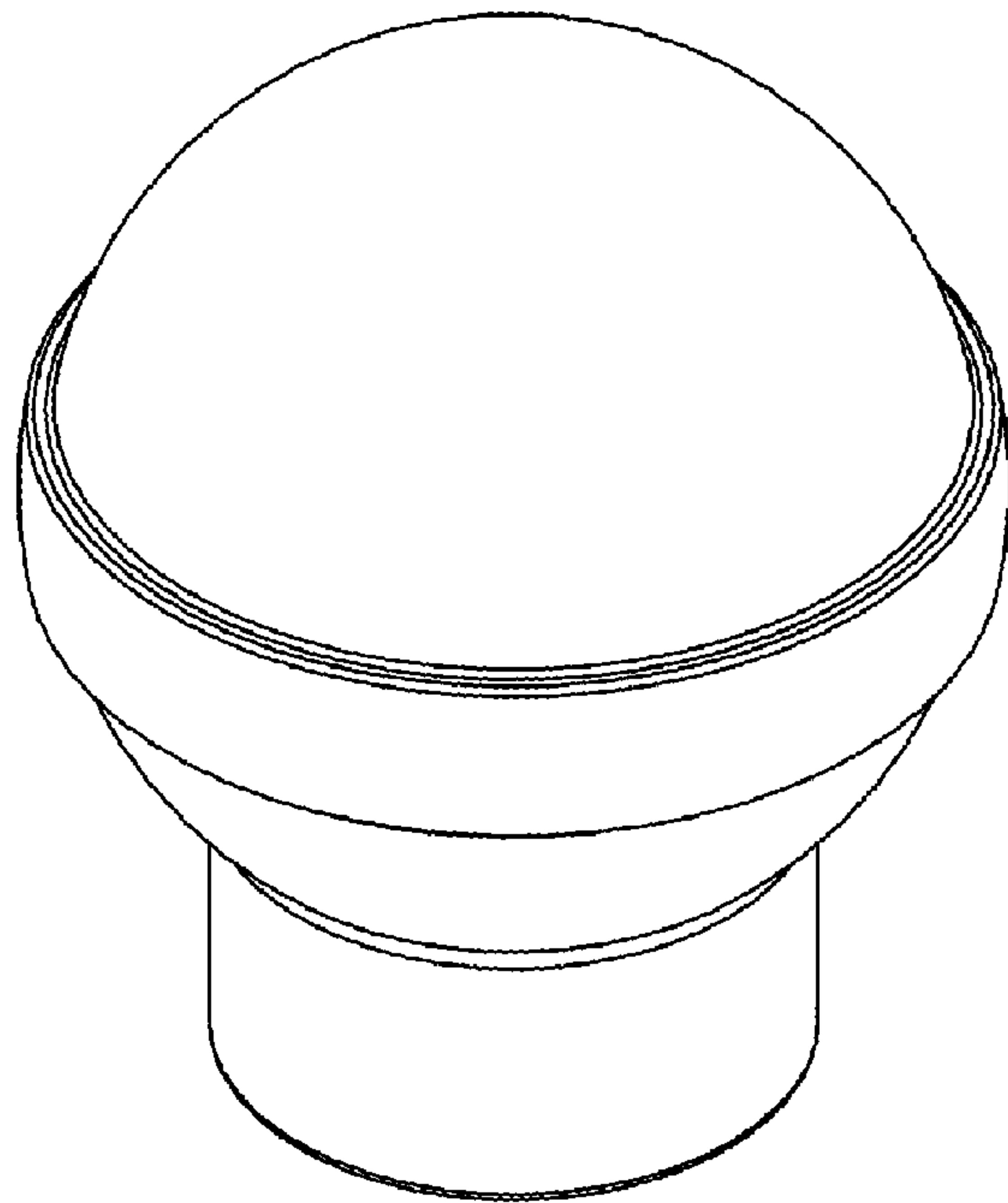
(57) **CLAIM**

The ornamental design for an egg separator, as shown and described.

**DESCRIPTION**

FIG. 1 is an isometric view of our egg separator thereof.  
FIG. 2 is a side view thereof with all side views having the same image thereof.  
FIG. 3 is a top view thereof.  
FIG. 4 is a bottom view thereof; and,  
FIG. 5 is a cross section view thereof taken along line 5-5 of FIG. 2.

**1 Claim, 2 Drawing Sheets**



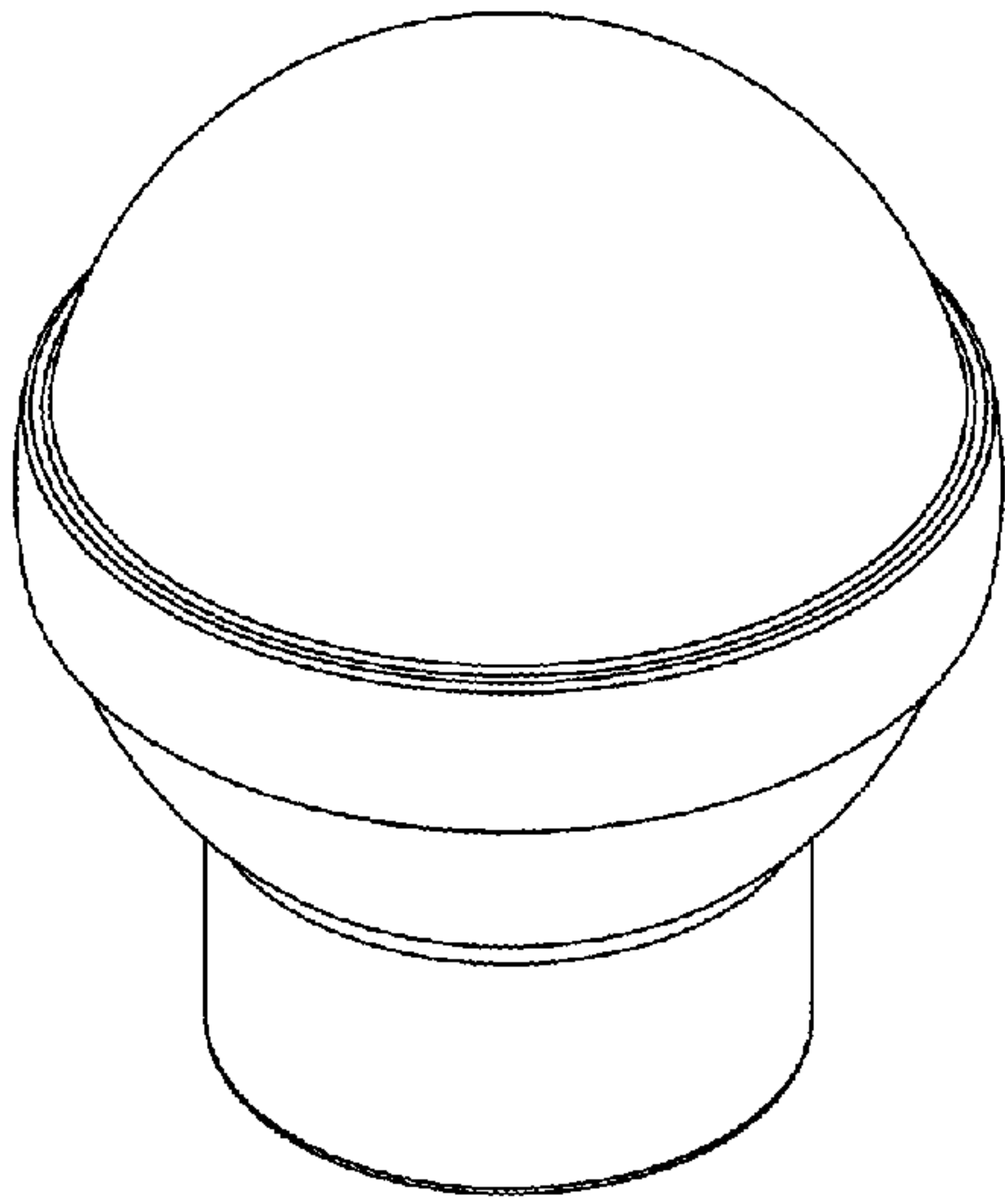


Fig. 1

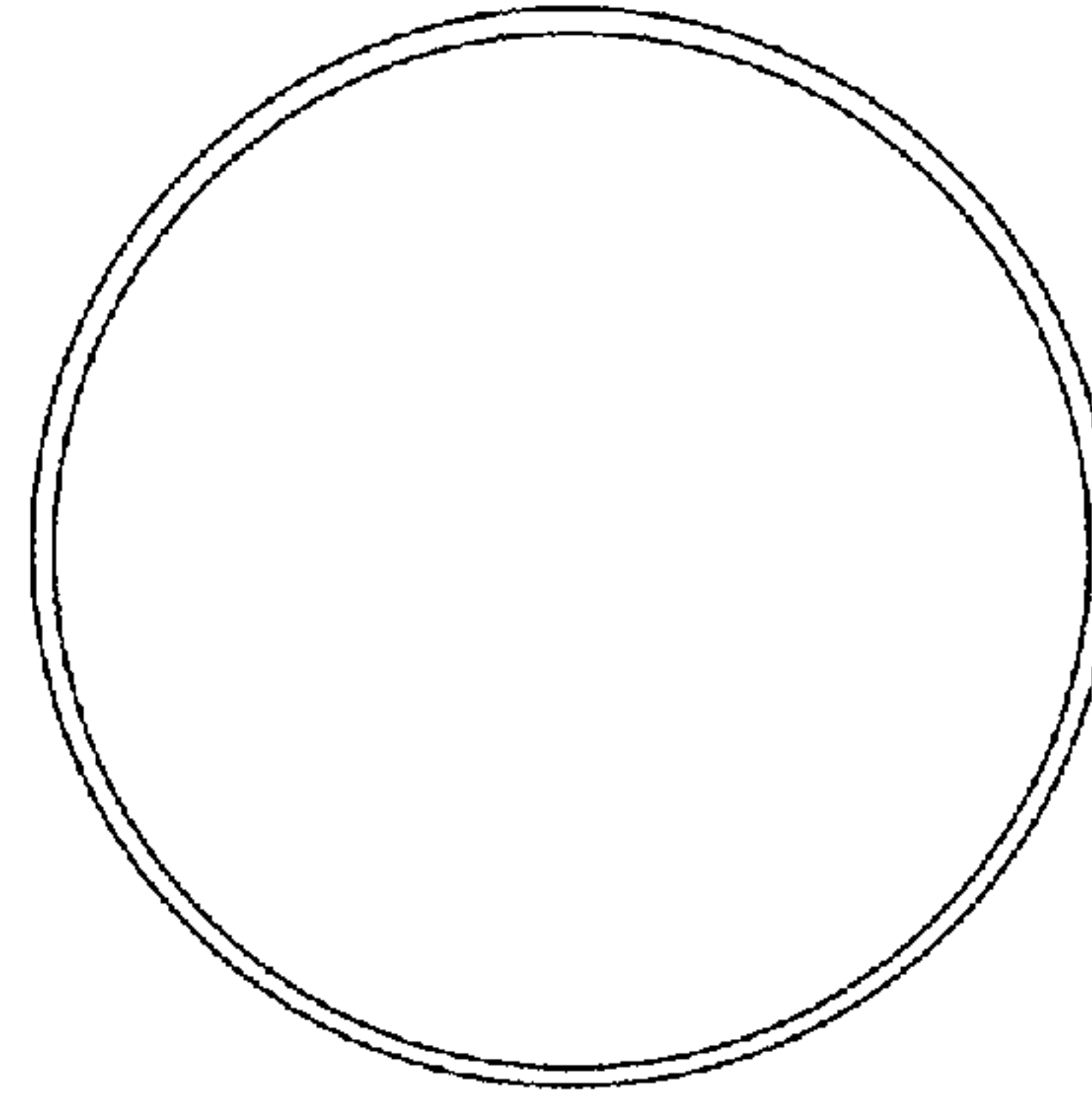


Fig. 3

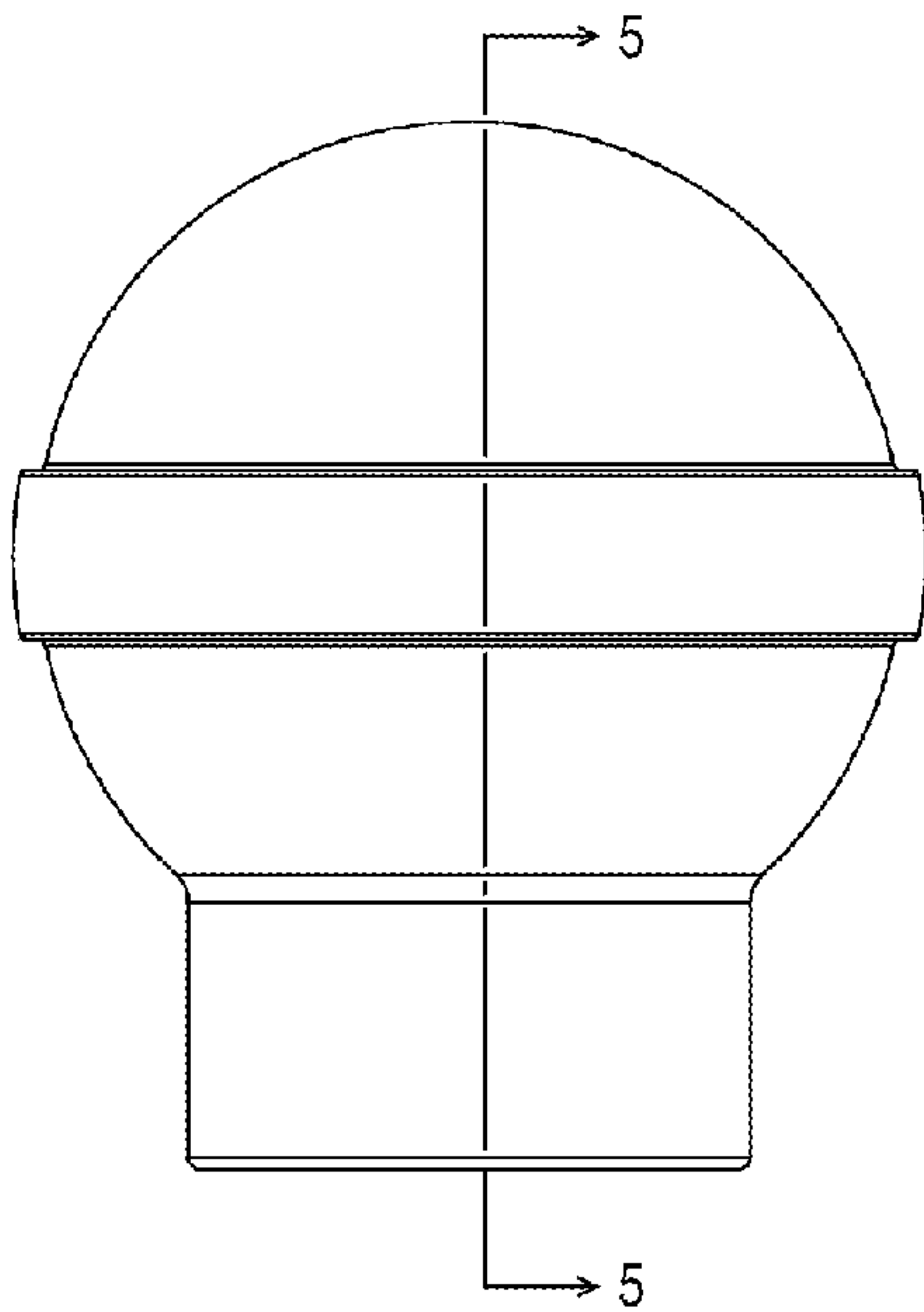


Fig. 2

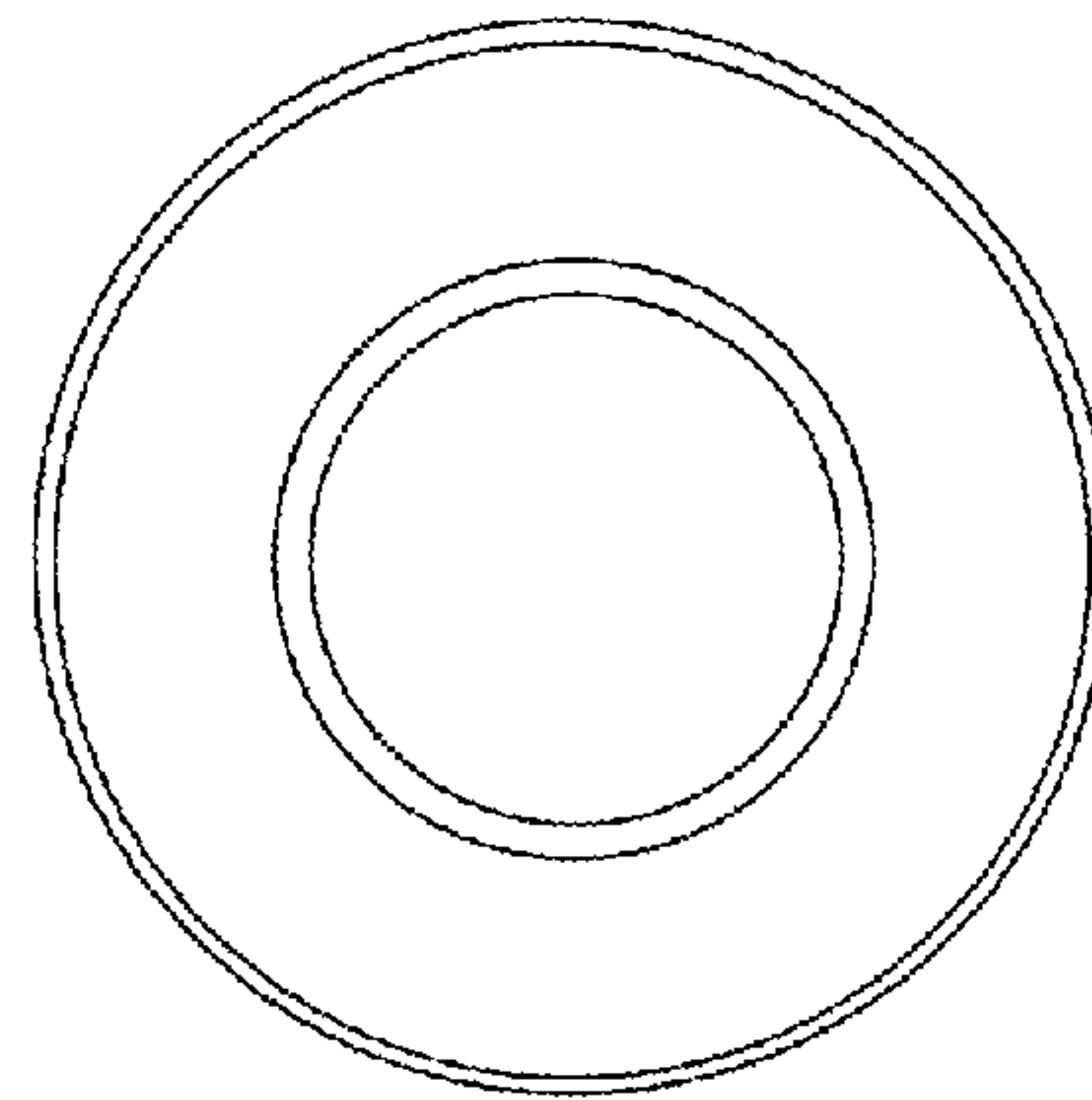


Fig. 4

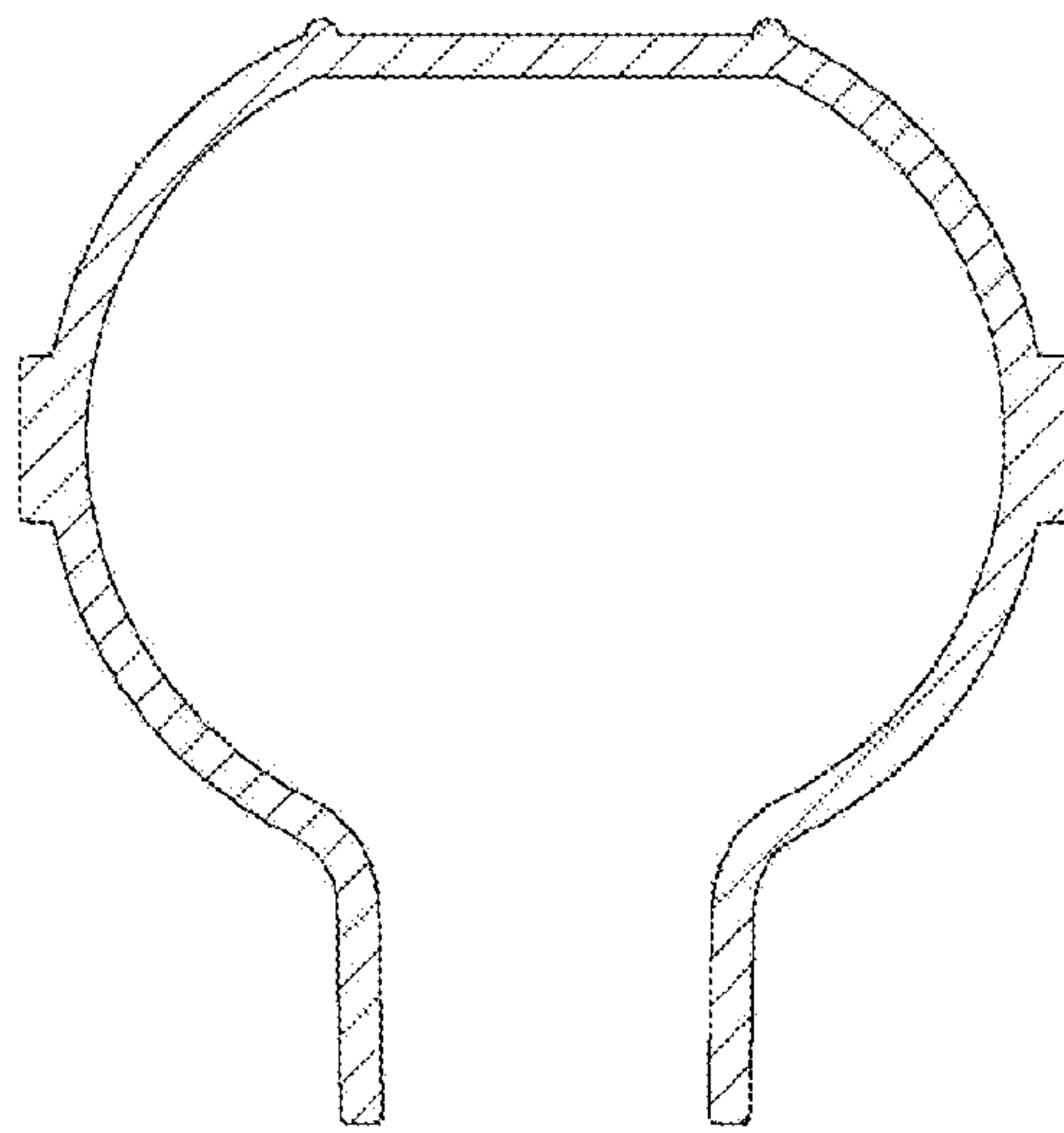


Fig. 5