



US00D687260S

(12) **United States Design Patent**  
**Rae**

(10) **Patent No.:** **US D687,260 S**  
(45) **Date of Patent:** **\*\* Aug. 6, 2013**

- (54) **COOKWARE SIDE HANDLE**
- (75) Inventor: **Robert A. Rae**, Las Vegas, NV (US)
- (73) Assignee: **Meyer Intellectual Properties Limited**  
(VG)
- (\*\*) Term: **14 Years**
- (21) Appl. No.: **29/426,241**
- (22) Filed: **Jul. 2, 2012**
- (51) **LOC (9) Cl.** ..... **07-02**
- (52) **U.S. Cl.**  
USPC ..... **D7/394**
- (58) **Field of Classification Search**  
USPC ..... D7/354–361, 391, 393–395, 396.2,  
D7/514, 664; D8/107, 300, 301, 306, 315,  
D8/316, 317, 319, 320, 321; 16/430, 431,  
16/110.1, 114.1, 407, 416, 429, 443, 441;  
220/377, 573.1–573.5, 752, 753, 755, 756,  
220/760, 772, 773, 912; D3/318; 138/121,  
138/145, 173  
See application file for complete search history.

D444,346 S *	7/2001	Rae	.....	D7/394
D457,385 S *	5/2002	Dodane	.....	D7/393
D505,268 S *	5/2005	Potempa	.....	D4/129
D525,079 S *	7/2006	Munari	.....	D7/394
D607,270 S *	1/2010	Munari	.....	D7/394

\* cited by examiner

*Primary Examiner* — Cynthia M Chin  
(74) *Attorney, Agent, or Firm* — Edward S. Sherman

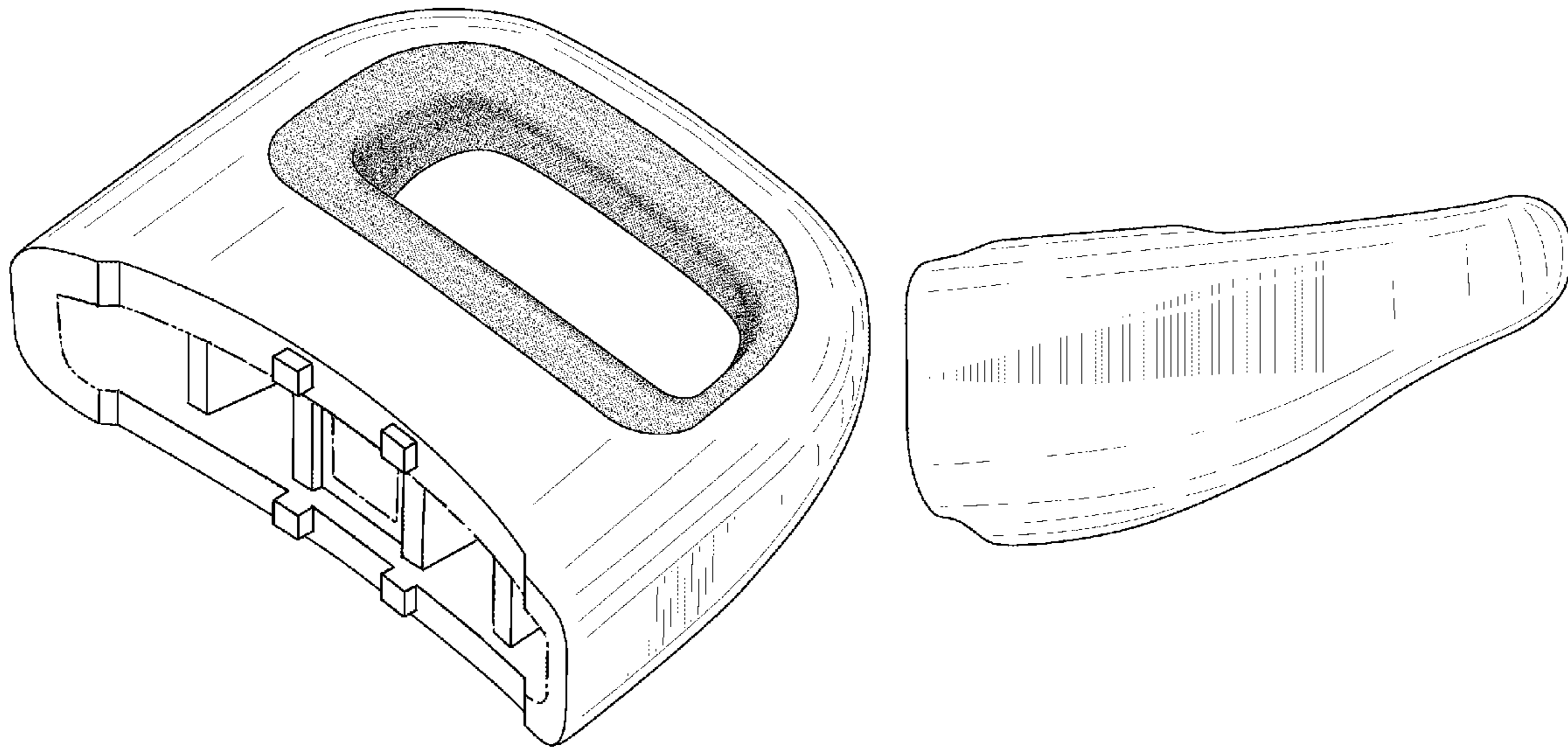
(57) **CLAIM**  
The ornamental design for a cookware side handle, as shown and described.

**DESCRIPTION**

FIG. 1 is a perspective view of the “cookware side handle”, showing my new design;  
FIG. 2 is a right side elevation view thereof; the left side elevation view being the mirror image thereof,  
FIG. 3 is a top plan view thereof;  
FIG. 4 is a bottom plan view thereof;  
FIG. 5 is a front elevation view thereof; and,  
FIG. 6 is a back elevation view thereof.  
The dash-dot broken lines represent the bounds of the claim. The regularly-spaced broken lines represent unclaimed portions of the article. None of the broken lines form a part of the claimed design.

**1 Claim, 6 Drawing Sheets**

- (56) **References Cited**  
  
U.S. PATENT DOCUMENTS  
D344,430 S \* 2/1994 Raoult ..... D7/394  
D391,444 S \* 3/1998 Munari ..... D7/394



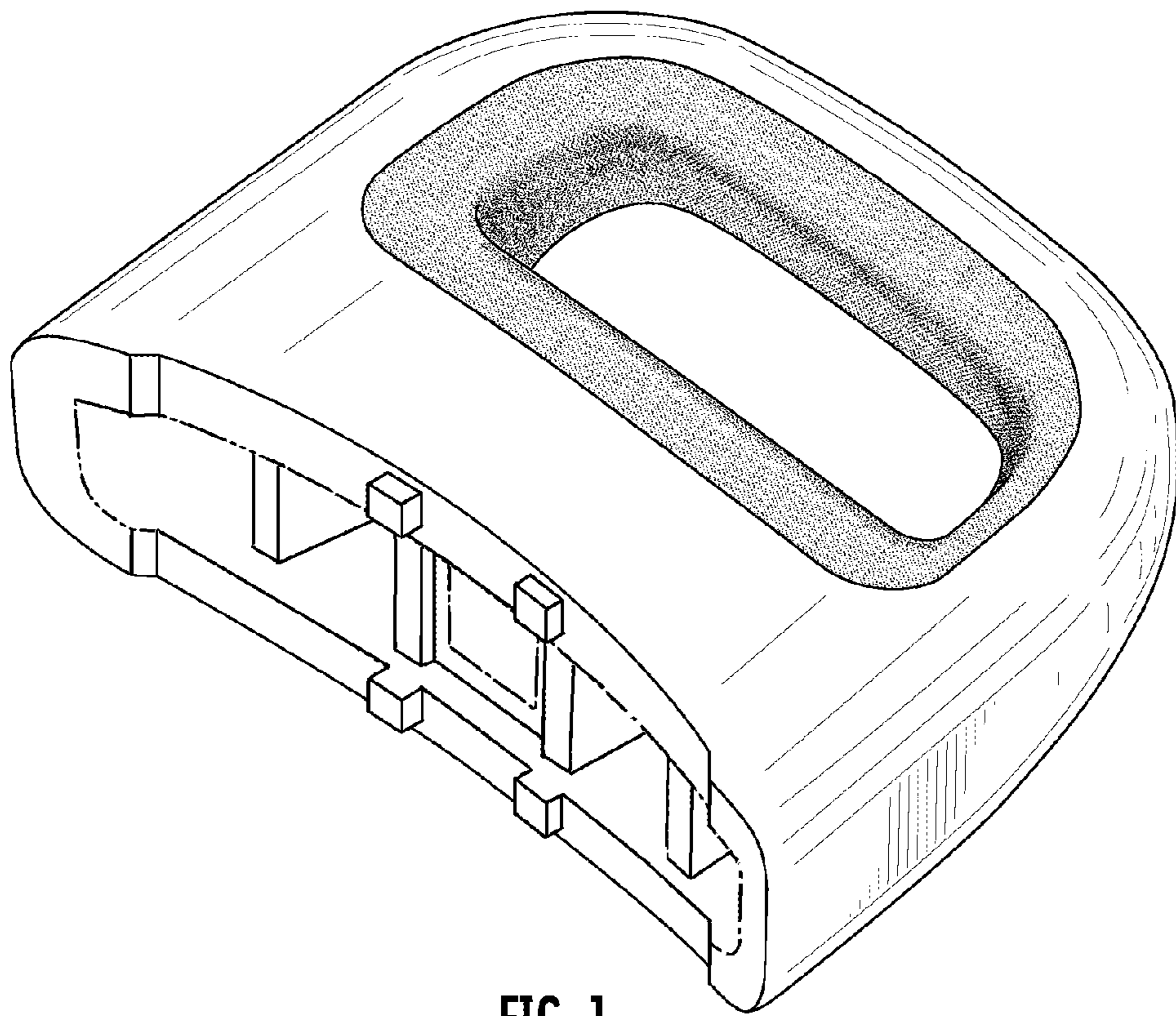


FIG. 1

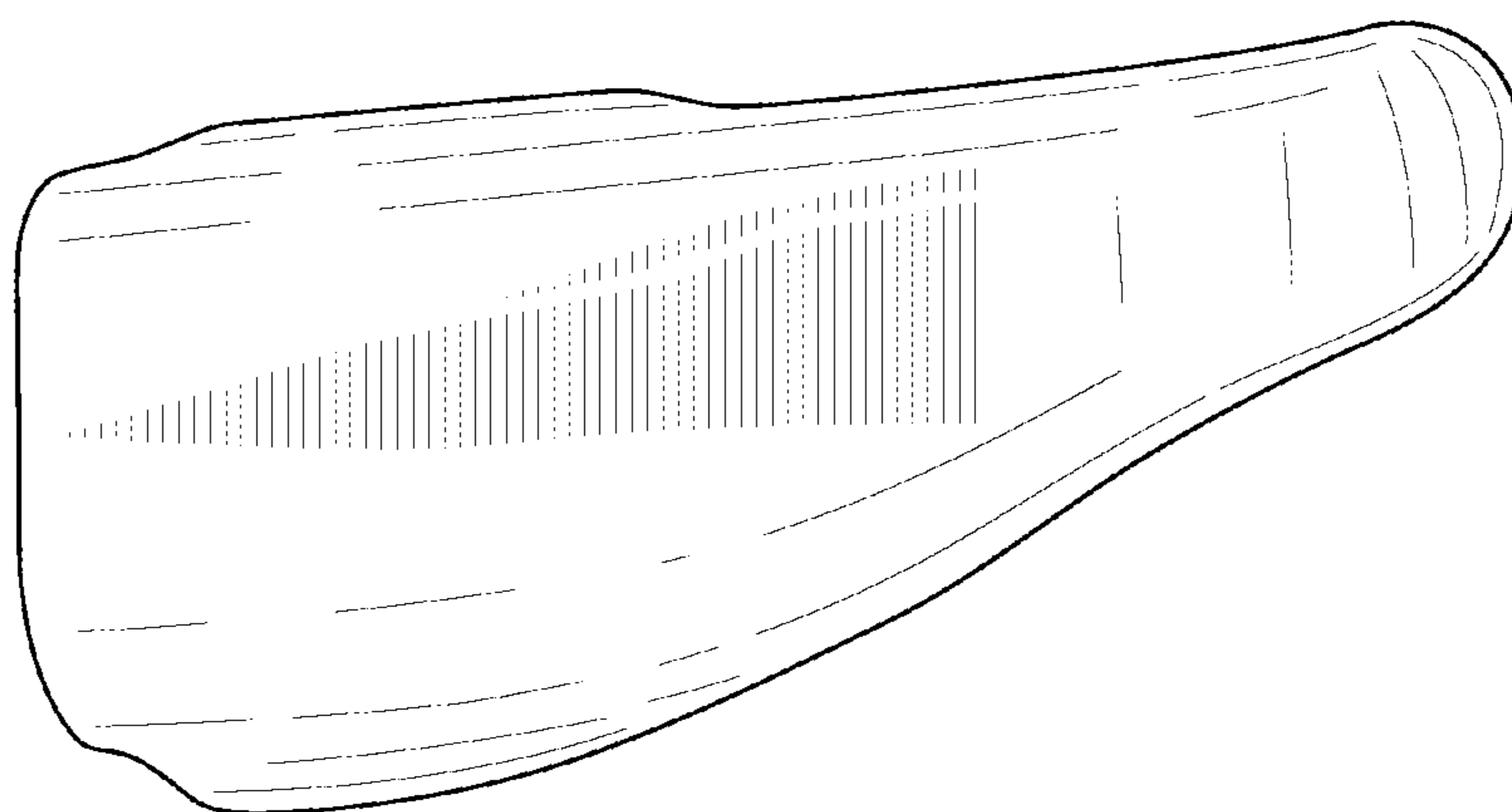


FIG. 2

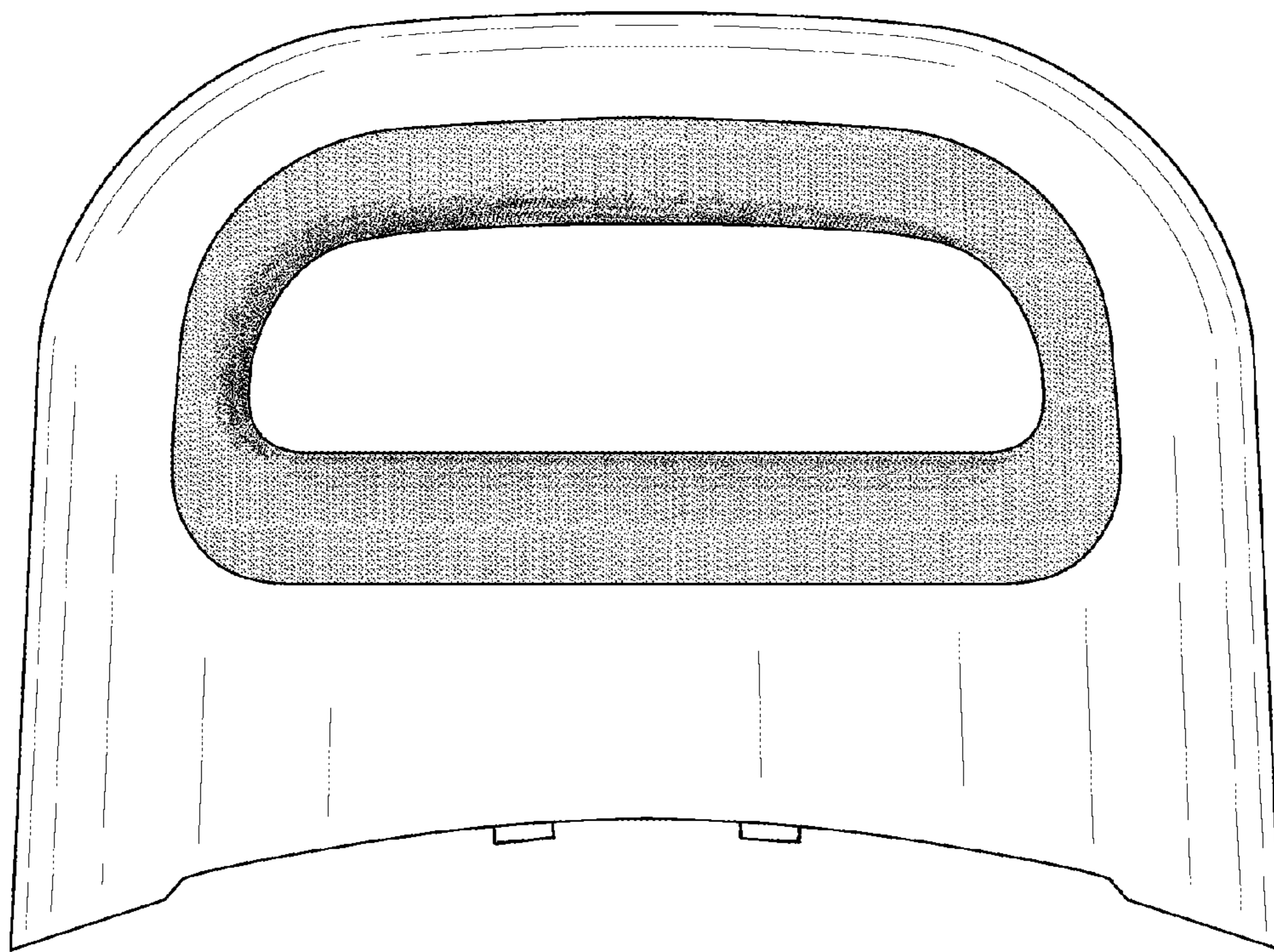


FIG. 3

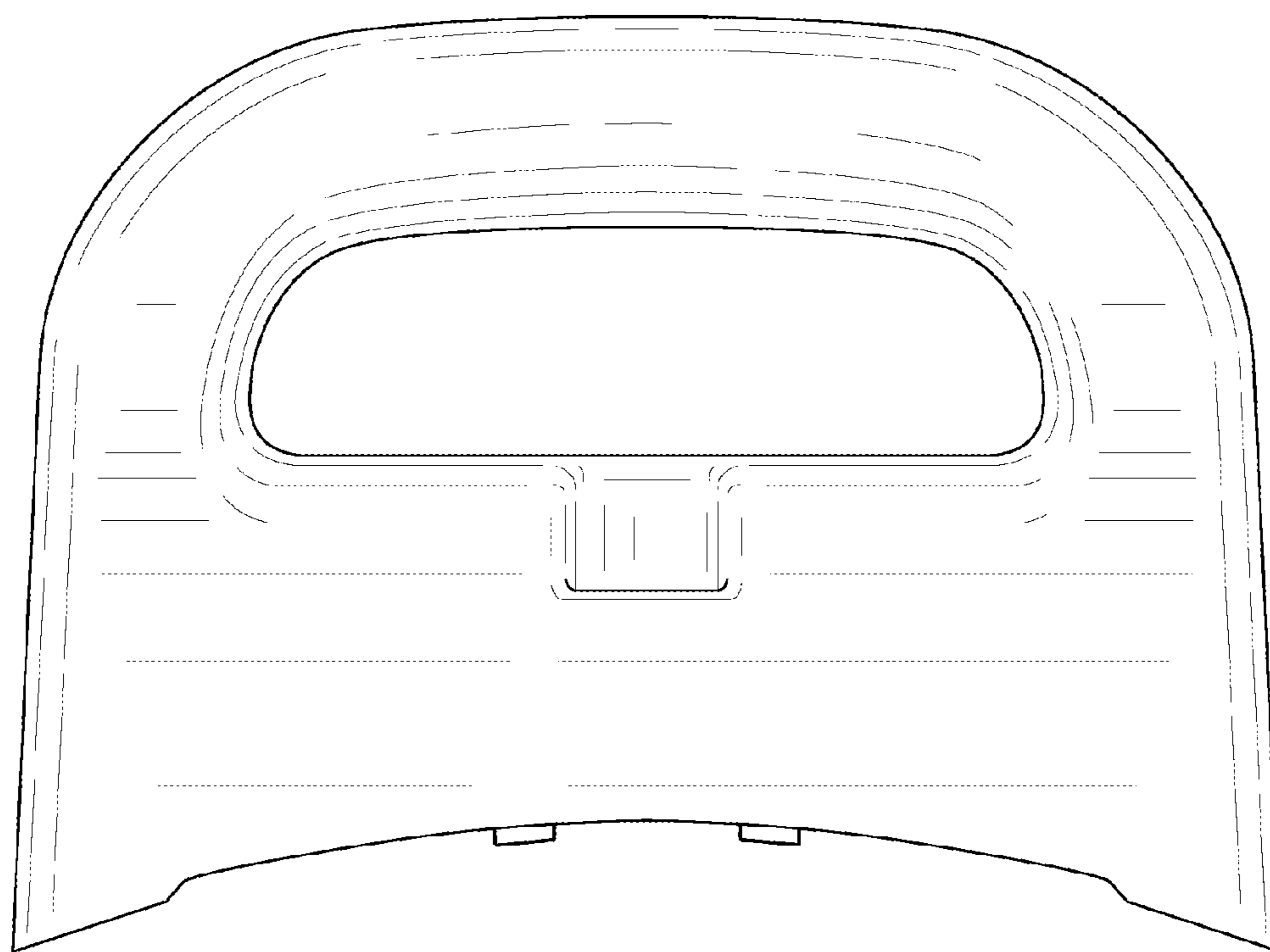


FIG. 4

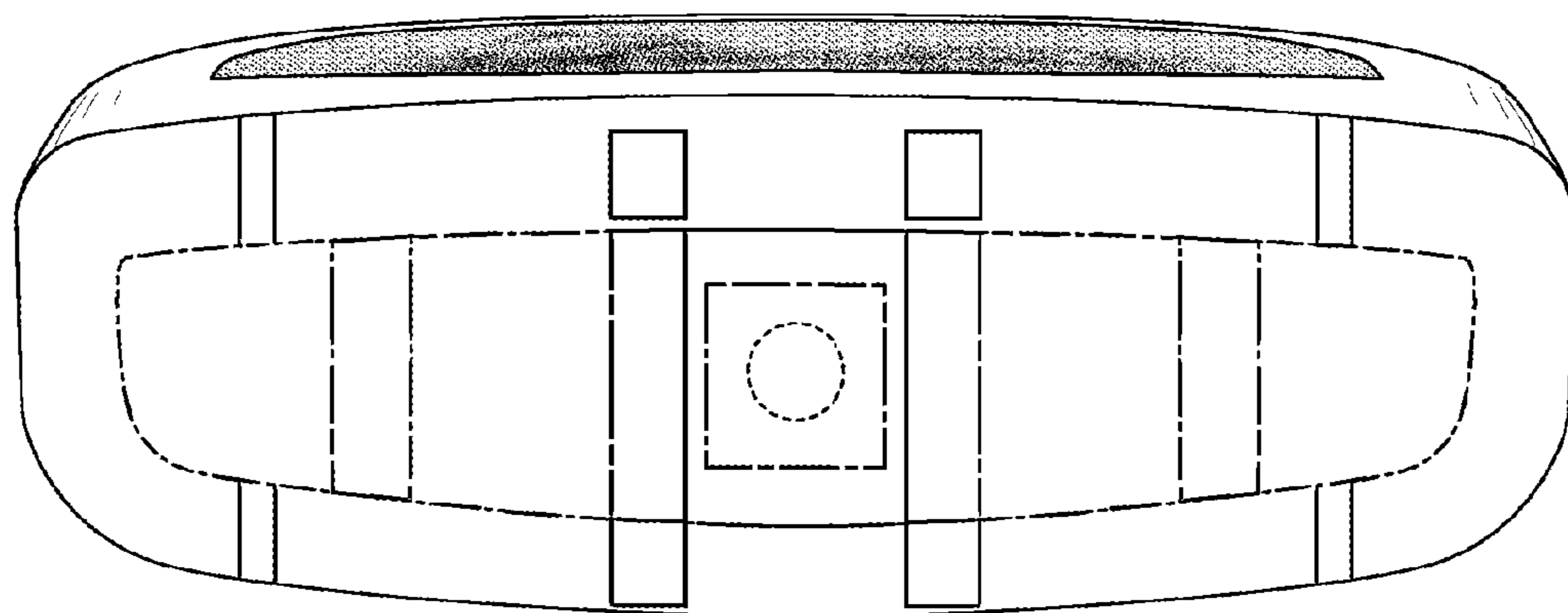


FIG. 5

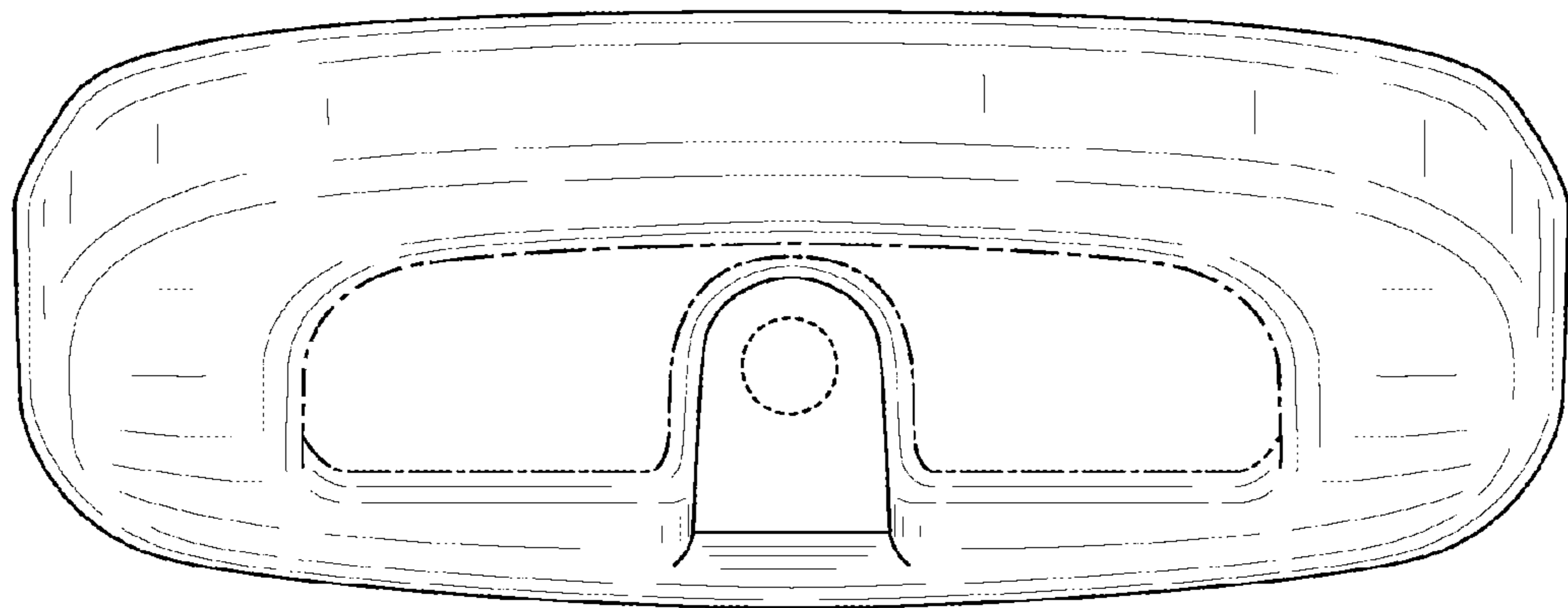


FIG. 6