



US00D687258S

(12) **United States Design Patent**  
**Hsieh**

(10) **Patent No.:** **US D687,258 S**

(45) **Date of Patent:** **\*\* Aug. 6, 2013**

(54) **FOOD COOLING UNIT**

(76) **Inventor:** **Chin-Chan Hsieh**, Nantou (TW)

(\*\*) **Term:** **14 Years**

(21) **Appl. No.:** **29/386,446**

(22) **Filed:** **Mar. 1, 2011**

(51) **LOC (9) Cl.** ..... **07-02**

(52) **U.S. Cl.**  
USPC ..... **D7/368**

(58) **Field of Classification Search**

USPC ..... D7/323, 368, 376, 669, 681; D15/79,  
D15/83; D23/314, 316; D13/179; 99/326,  
99/348; 366/144-145, 110; 62/304, 310-311,  
62/322, 335, 337, 373, 458, 465  
See application file for complete search history.

(56) **References Cited**

**U.S. PATENT DOCUMENTS**

4,573,384 A \* 3/1986 Jones ..... 83/404.3  
5,245,902 A \* 9/1993 Pereira ..... 83/435.19

6,564,705 B2 \* 5/2003 Zarlengo ..... 100/288  
6,848,356 B1 \* 2/2005 Mueller ..... 99/455  
D634,280 S \* 3/2011 Chua et al. .... D13/179

\* cited by examiner

*Primary Examiner* — Ian Simmons

*Assistant Examiner* — Dana L Meyrow

(74) *Attorney, Agent, or Firm* — Chun-Ming Shih

(57) **CLAIM**

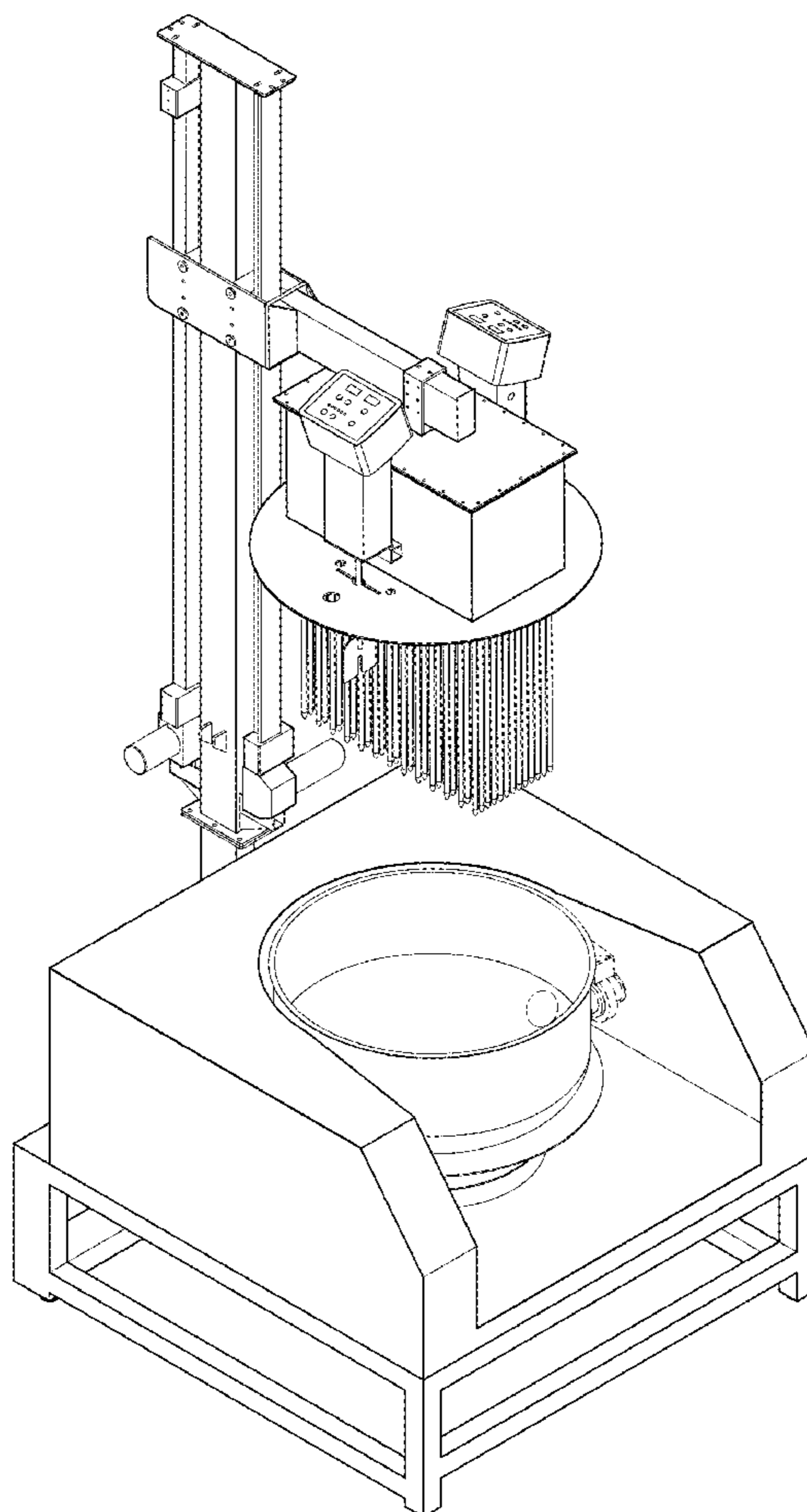
The ornamental design for a food cooling unit, as shown and described.

**DESCRIPTION**

FIG. 1 is a front left perspective view of a food cooling unit showing my new design;  
FIG. 2 is a front perspective view thereof;  
FIG. 3 is a rear perspective view thereof;  
FIG. 4 is a left side elevation view thereof;  
FIG. 5 is a right side elevation view thereof; and,  
FIG. 6 is a top plan view thereof.

The broken lines in the drawings illustrate the portions of the design that form no part of the claim.

**1 Claim, 6 Drawing Sheets**



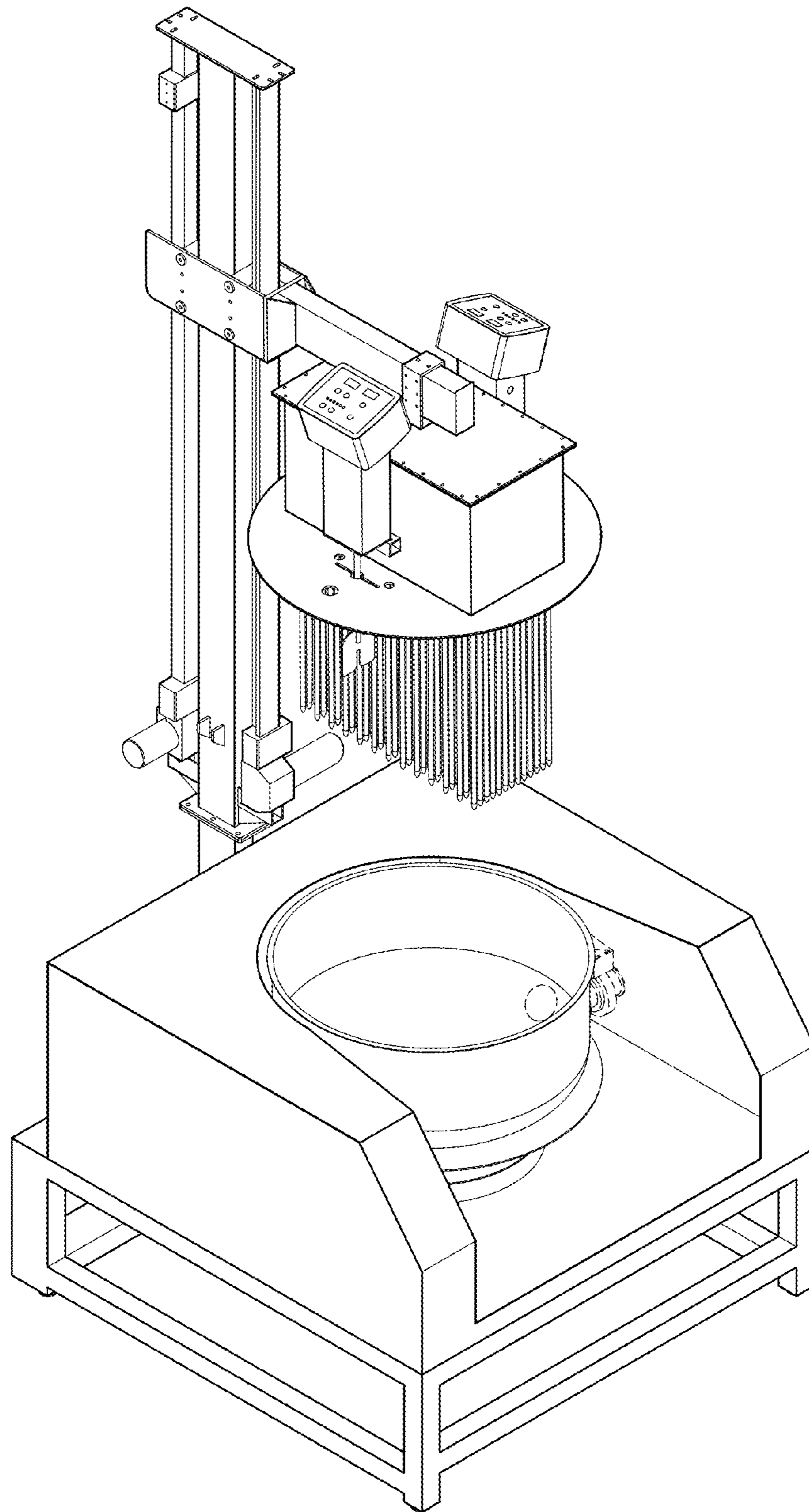


FIG. 1

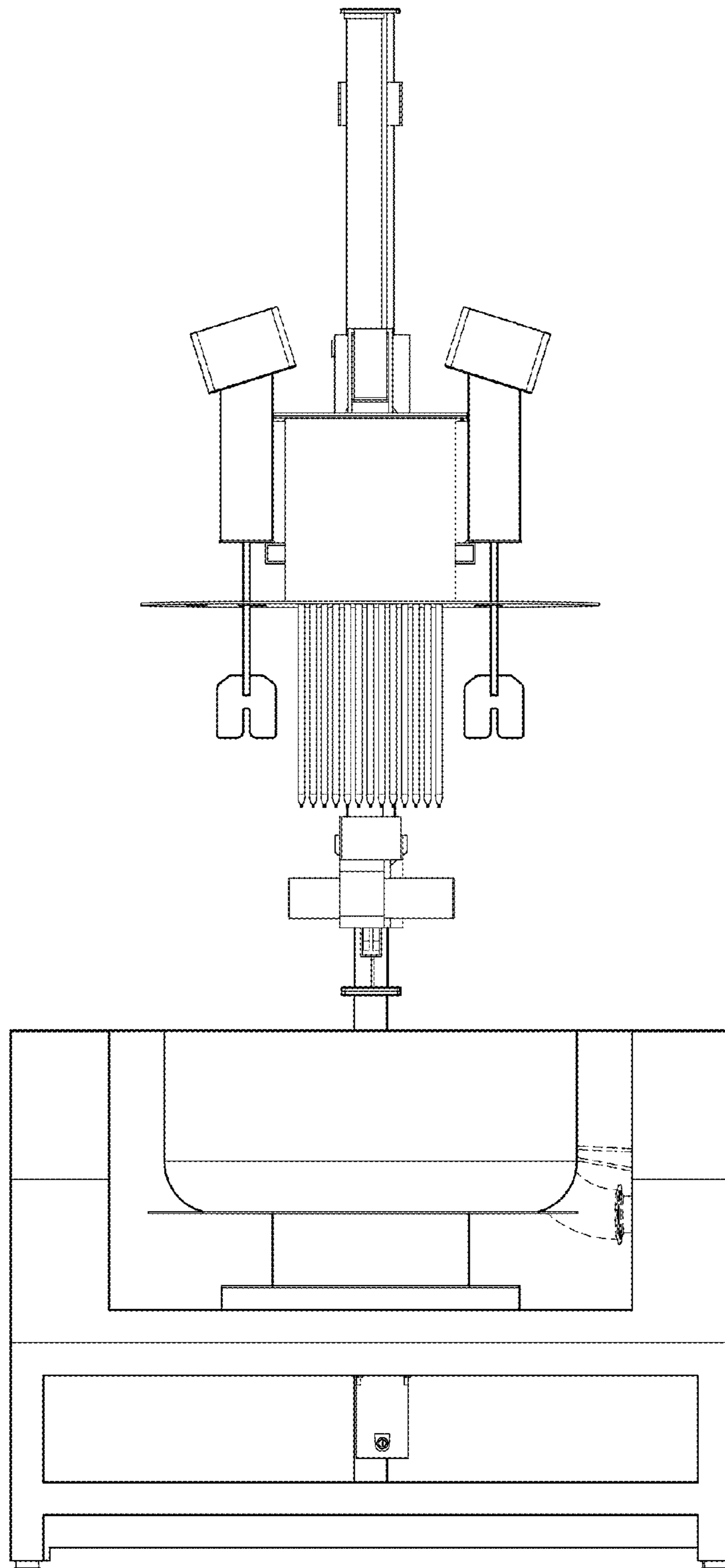


FIG. 2

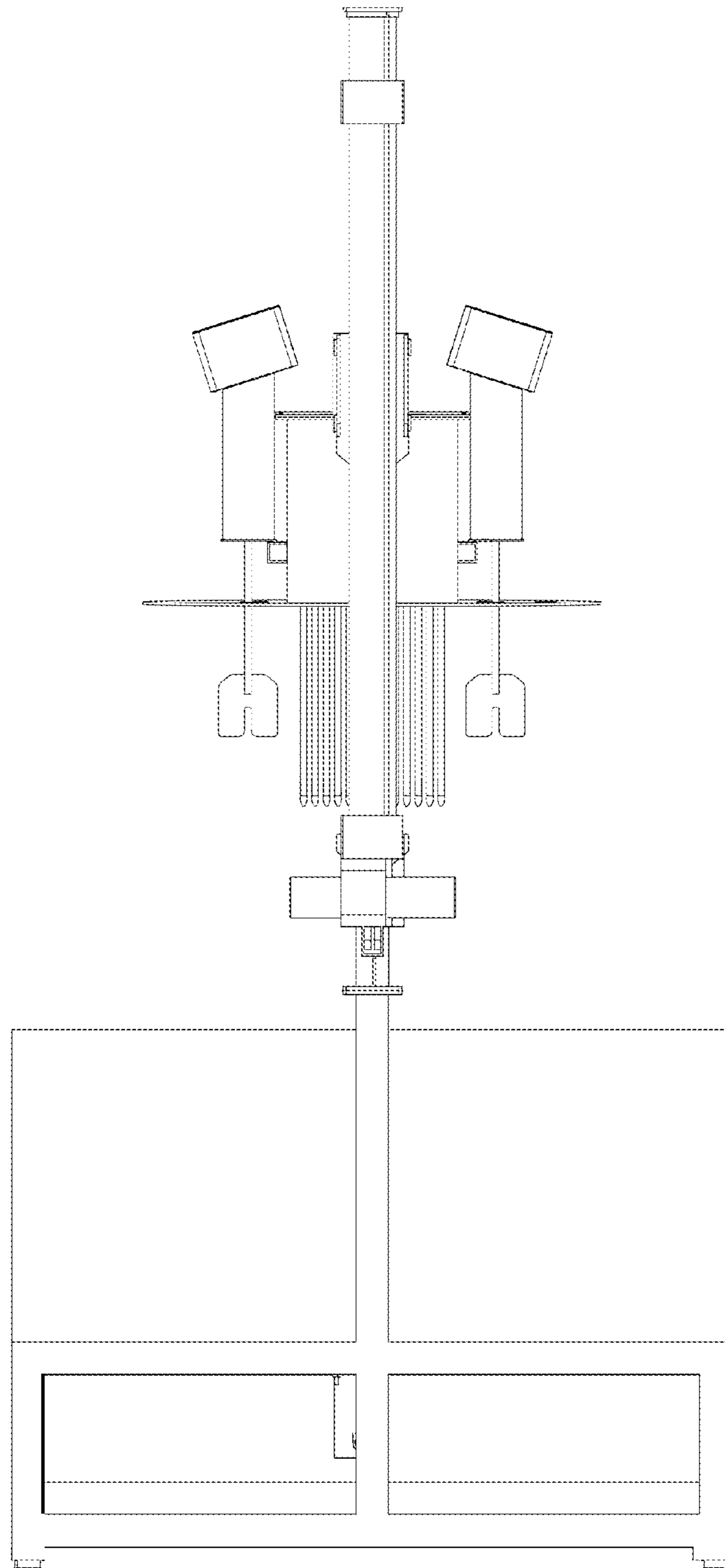


FIG.3

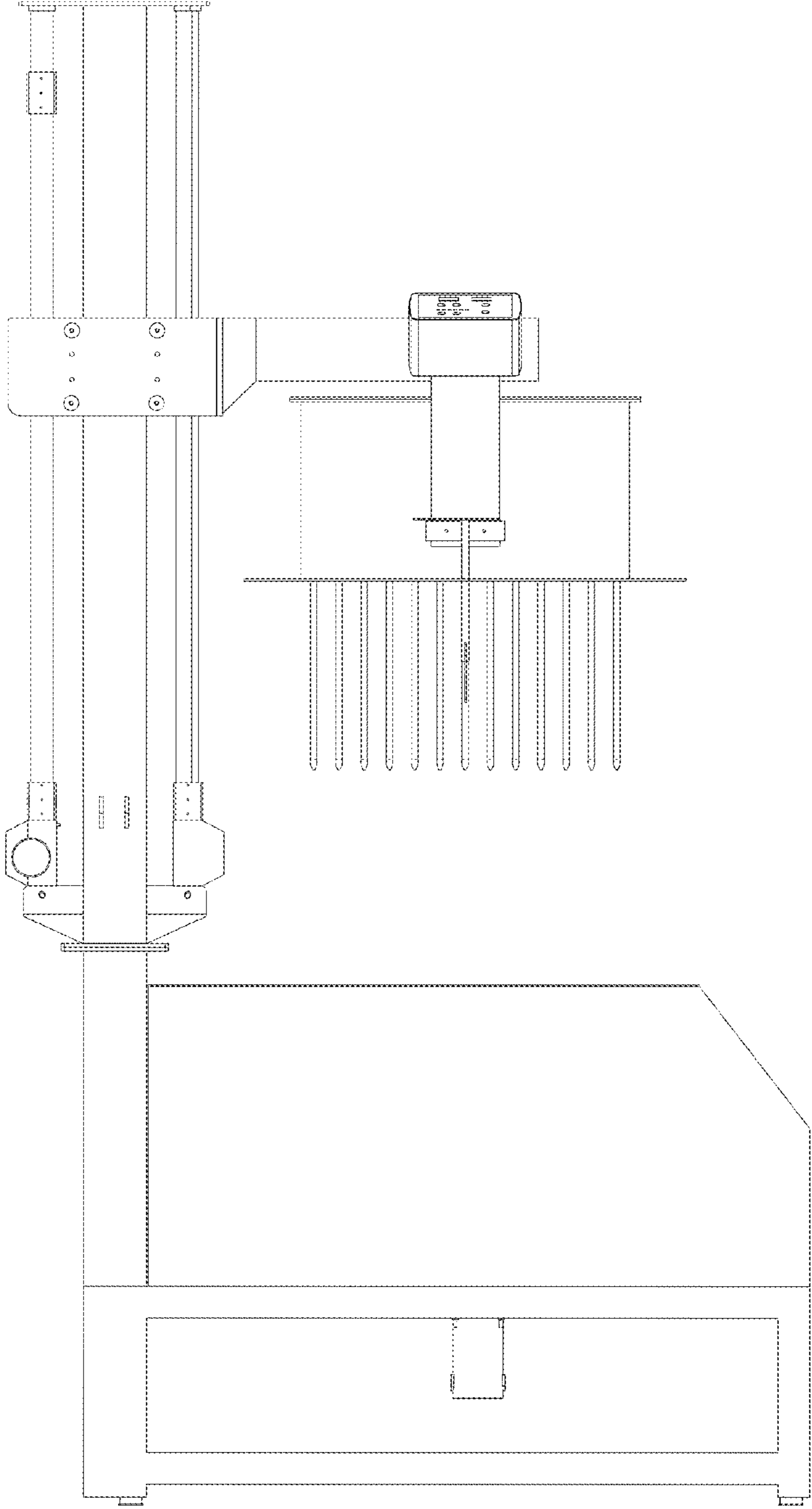


FIG.4

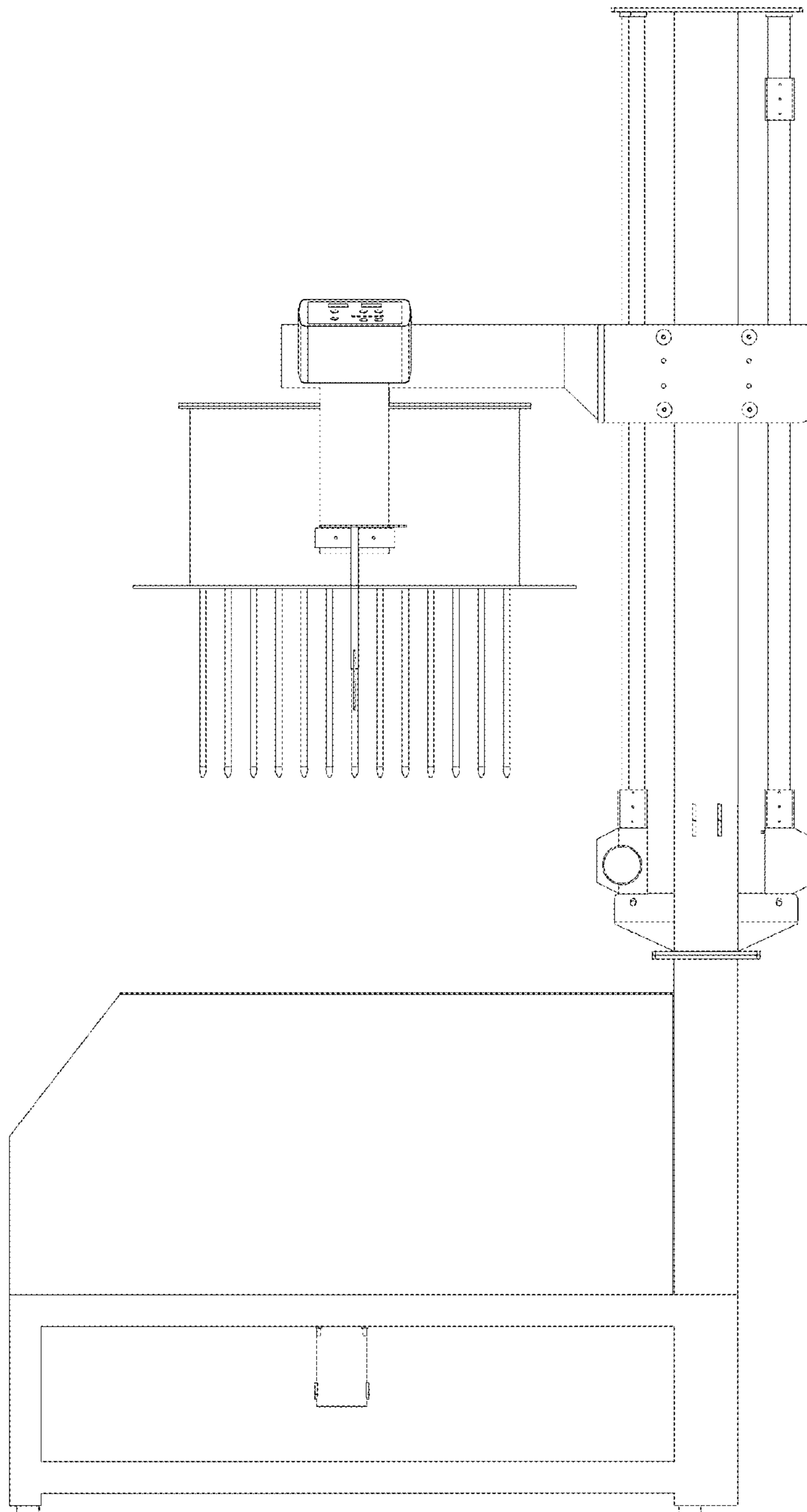


FIG. 5

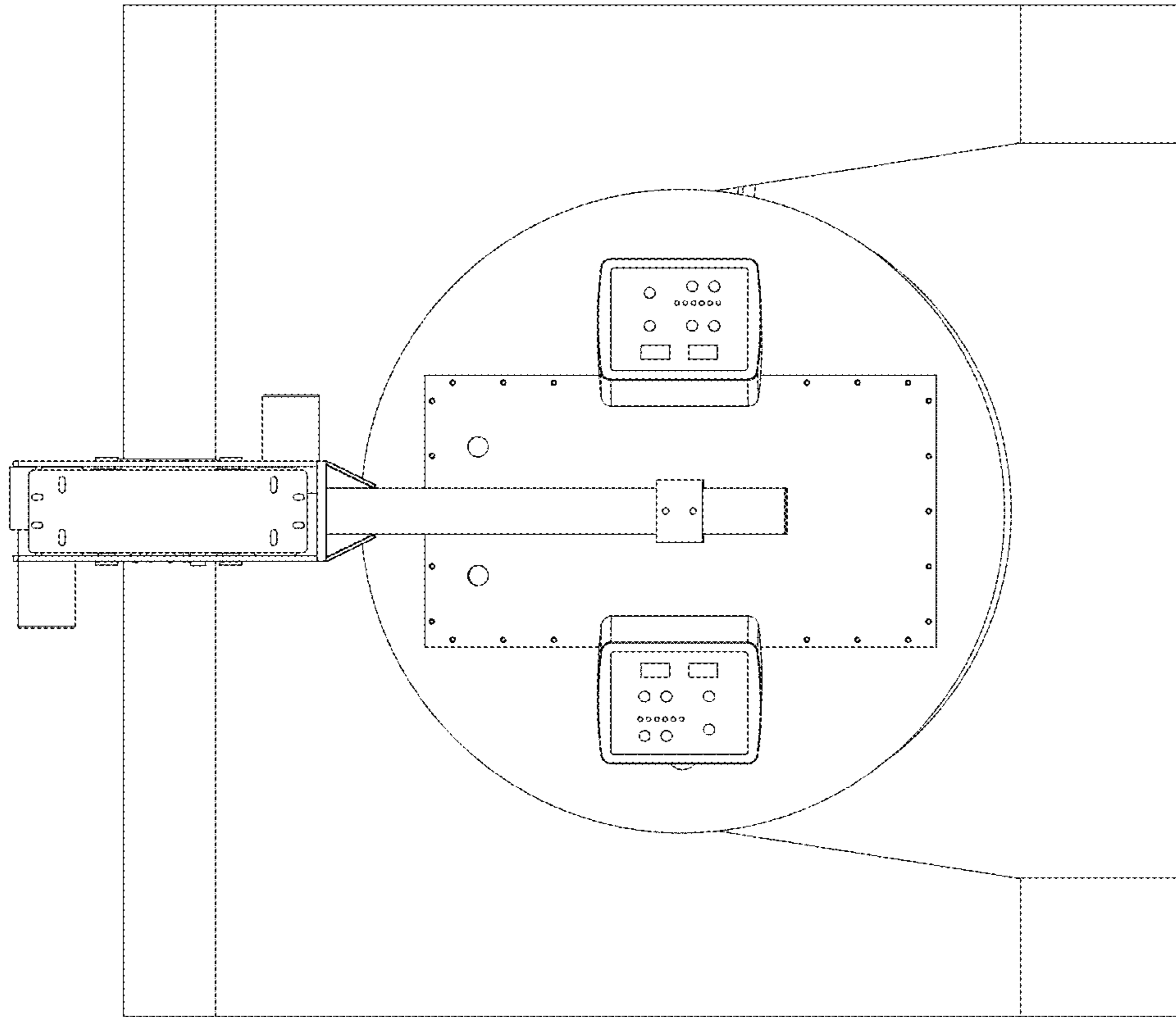


FIG.6