



US00D687257S

(12) **United States Design Patent**
DiFante

(10) **Patent No.:** **US D687,257 S**
(45) **Date of Patent:** **** Aug. 6, 2013**

(54) **COMBINED STOCK POT WITH VENTED STRAINER**

(71) Applicant: **Agostino DiFante**, San Clemente, CA (US)

(72) Inventor: **Agostino DiFante**, San Clemente, CA (US)

(**) Term: **14 Years**

(21) Appl. No.: **29/442,303**

(22) Filed: **Jan. 28, 2013**

(51) **LOC (9) Cl.** **07-02**

(52) **U.S. Cl.**

USPC **D7/357**; D7/354; D7/356

(58) **Field of Classification Search**

USPC D7/307, 323, 329-332, 339, 346-347, D7/350.1-350.4, 353-367, 391, 393, 395, D7/402, 406, 409, 538, 542; 99/324-325, 99/331-332, 337-343, 369, 400-418, 422, 99/425, 444, 451, 483; 126/37 R, 261, 374.1, 126/378.1; 206/501-505, 507-508; 219/400, 219/405, 429-442, 620-624, 725, 730-735; 220/203.05, 203.07, 203.09, 298, 315-316, 220/573.1-573.5, 912; 426/438, 441

See application file for complete search history.

(56) **References Cited**

U.S. PATENT DOCUMENTS

RE16,011	E *	3/1925	Simon	99/412
D130,253	S *	11/1941	Pearce	D7/360
3,285,159	A *	11/1966	Greene	99/343
3,508,485	A *	4/1970	Munsey	99/331
5,195,424	A *	3/1993	Guajaca	99/418
D382,440	S *	8/1997	Fonville	D7/360
6,055,901	A *	5/2000	Gantos et al.	99/412
6,167,799	B1 *	1/2001	Macias	99/413
D442,431	S *	5/2001	Hoff et al.	D7/409

6,263,787	B1 *	7/2001	Tseng et al.	99/413
6,269,737	B1 *	8/2001	Rigney et al.	99/339
6,313,446	B1 *	11/2001	Jones	219/433
D505,589	S *	5/2005	Hoff et al.	D7/409
6,941,857	B2 *	9/2005	McLemore	99/413
7,112,764	B2 *	9/2006	Garcia	219/429
D552,410	S *	10/2007	Hoff et al.	D7/356
D553,424	S *	10/2007	Lin	D7/354

(Continued)

Primary Examiner — Ricky Pham

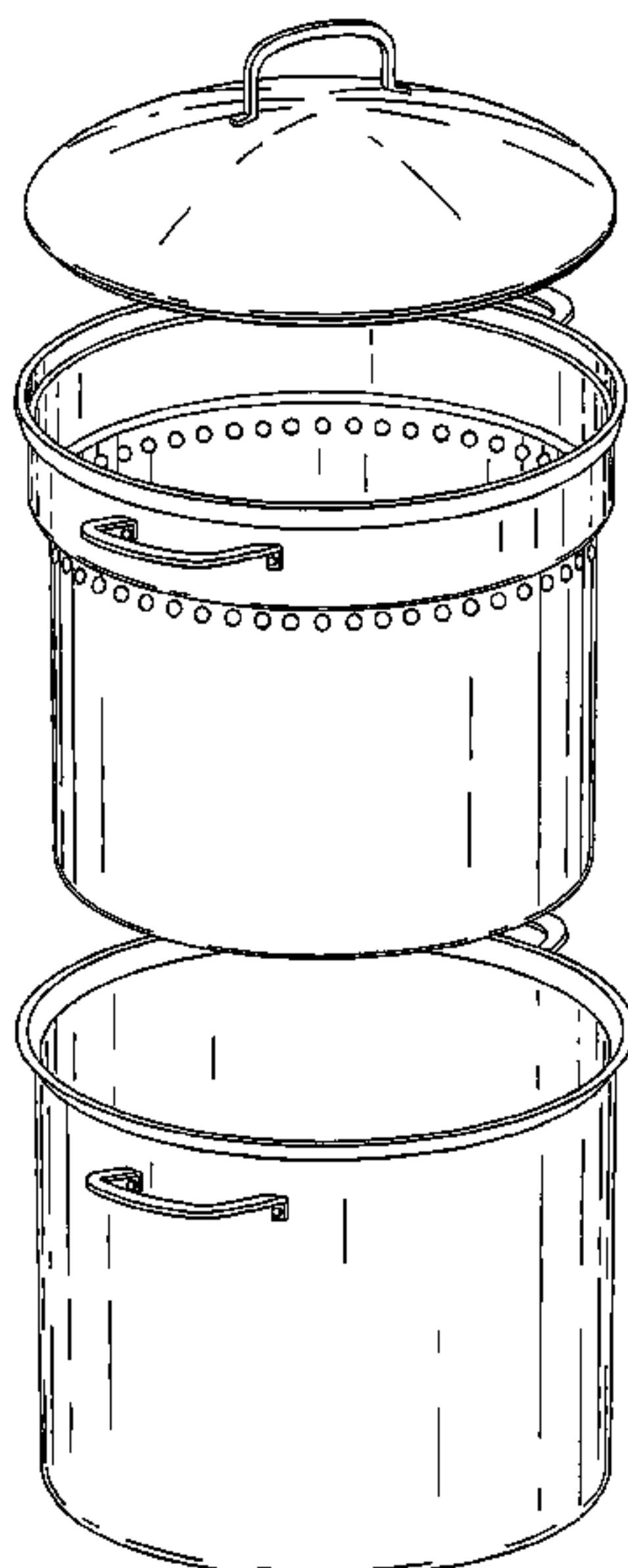
(57) **CLAIM**

The ornamental design for a combined stock pot with vented strainer, as shown and described.

DESCRIPTION

FIG. 1 is an exploded perspective view of a combined stock pot with vented strainer showing my new design;
 FIG. 2 is a perspective view of the assembled combined stock pot with vented strainer of my new design;
 FIG. 3 is a top plan view of my design;
 FIG. 4 is a bottom plan view of my design;
 FIG. 5 is a front elevational view of my design, the rear elevational view being a mirror image thereof;
 FIG. 6 is a right side elevational view of my design, the left side elevational view being a mirror image thereof;
 FIG. 7 is a top view of the stock pot of my design with the lid removed;
 FIG. 8 is a top plan view of the lid of my design;
 FIG. 9 is a bottom plan view of the lid of my design;
 FIG. 10 is a front elevational view of the vented strainer of my design, the rear elevational view being a mirror image thereof;
 FIG. 11 is a right side elevational view of the vented strainer of my design, the left side elevational view being a mirror image thereof;
 FIG. 12 is a top view of the vented strainer of my design; and,
 FIG. 13 is a bottom view of the vented strainer thereof.

1 Claim, 8 Drawing Sheets



US D687,257 S

Page 2

U.S. PATENT DOCUMENTS

D612,193 S *	3/2010	Darling	D7/354	D653,074 S *	1/2012	Difante	D7/357
D640,896 S *	7/2011	Molayem	D7/356	D658,424 S *	5/2012	Difante	D7/357
D642,421 S *	8/2011	Difante	D7/357	D658,425 S *	5/2012	Difante	D7/357
8,067,716 B1 *	11/2011	Lloyd	219/439	2002/0038802 A1 *	4/2002	Tersch	220/573.4
D653,073 S *	1/2012	Difante	D7/357				

* cited by examiner

FIG. 1

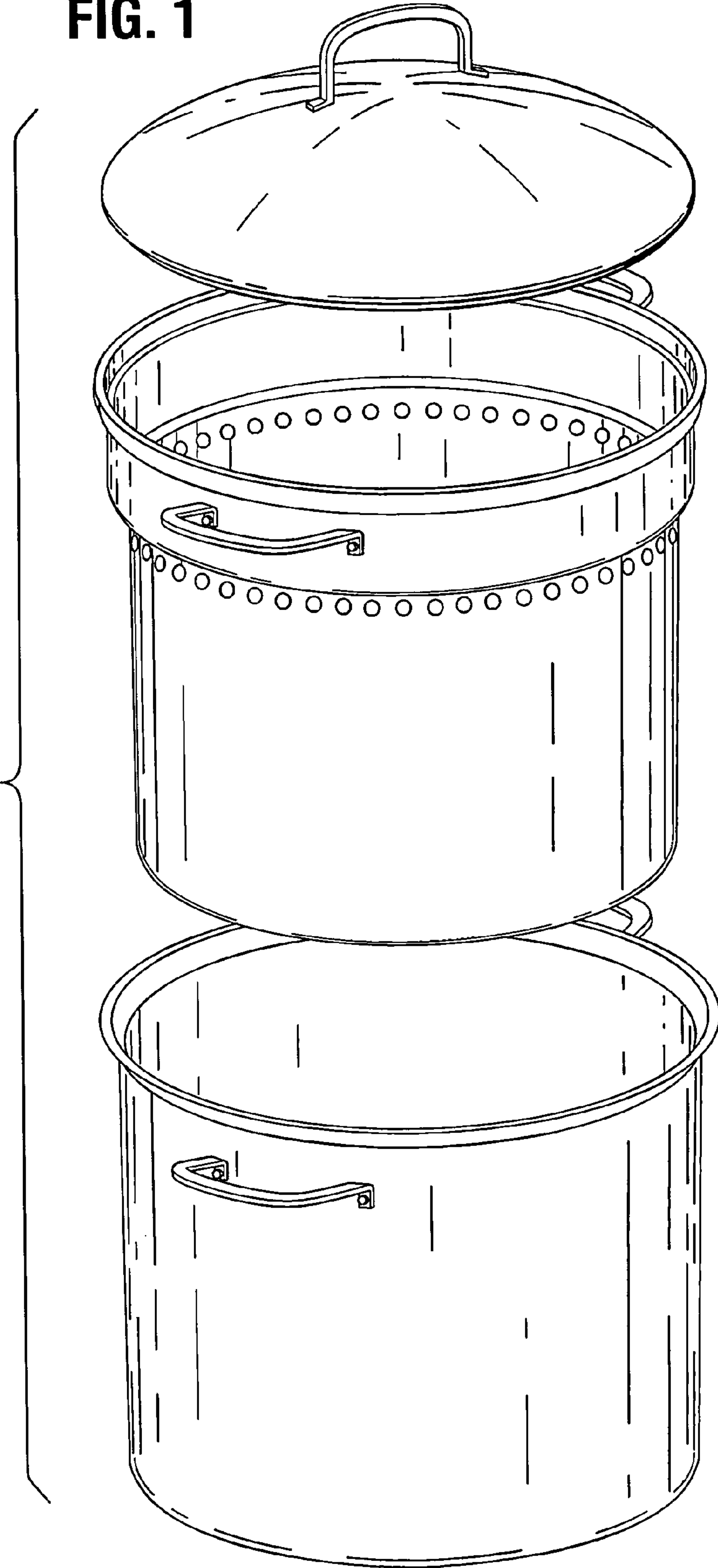


FIG. 2

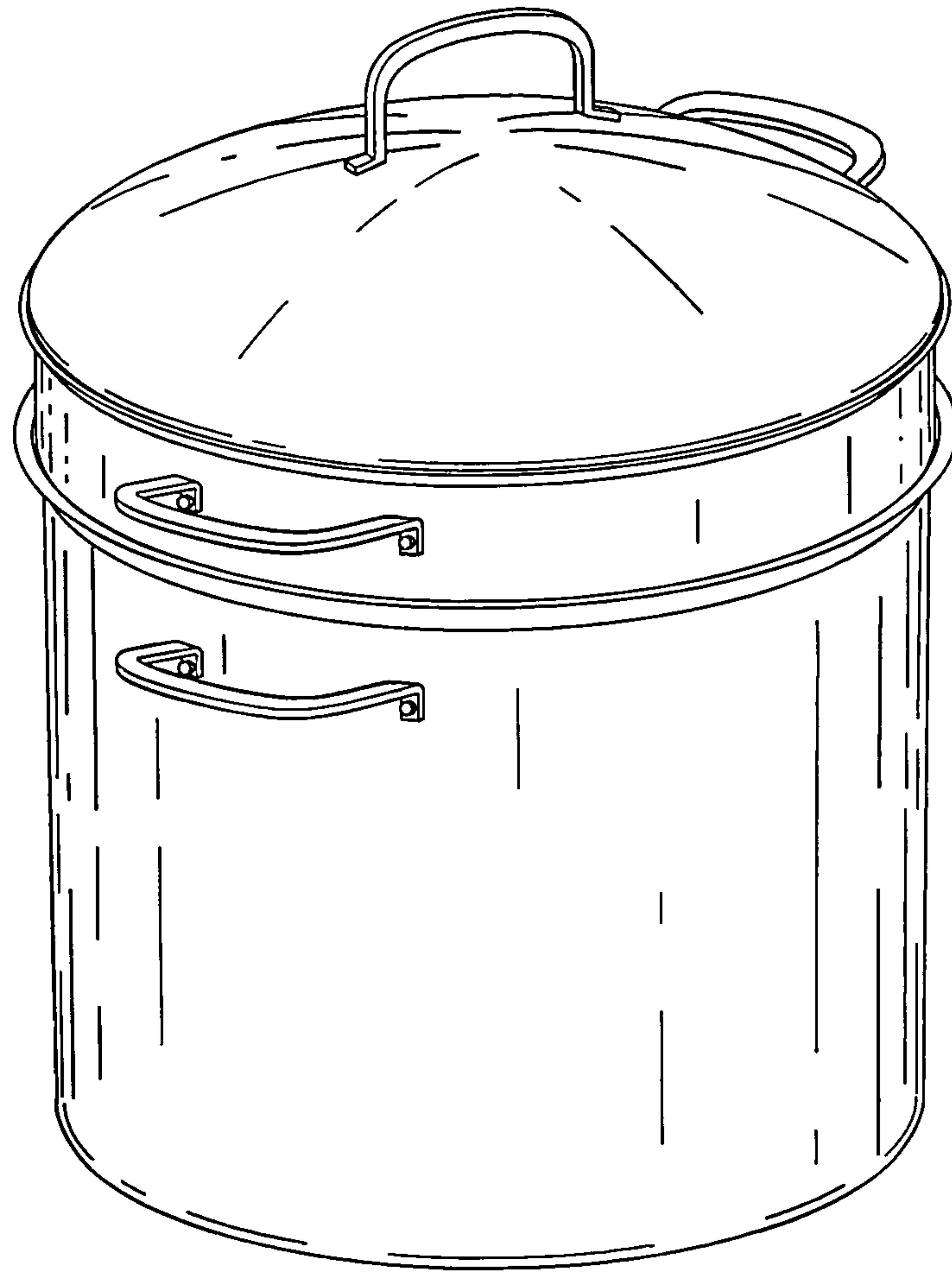


FIG. 3

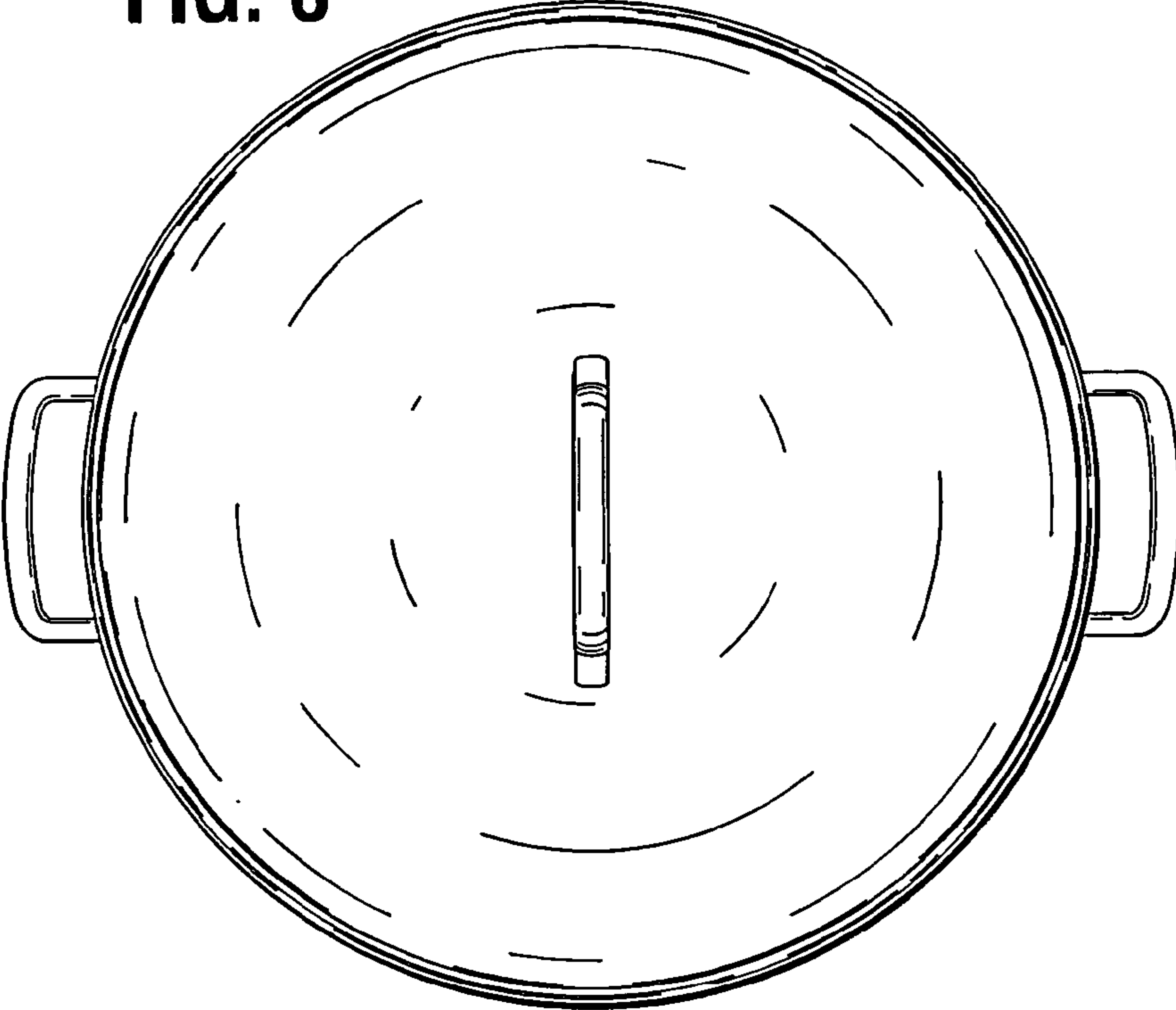


FIG. 4

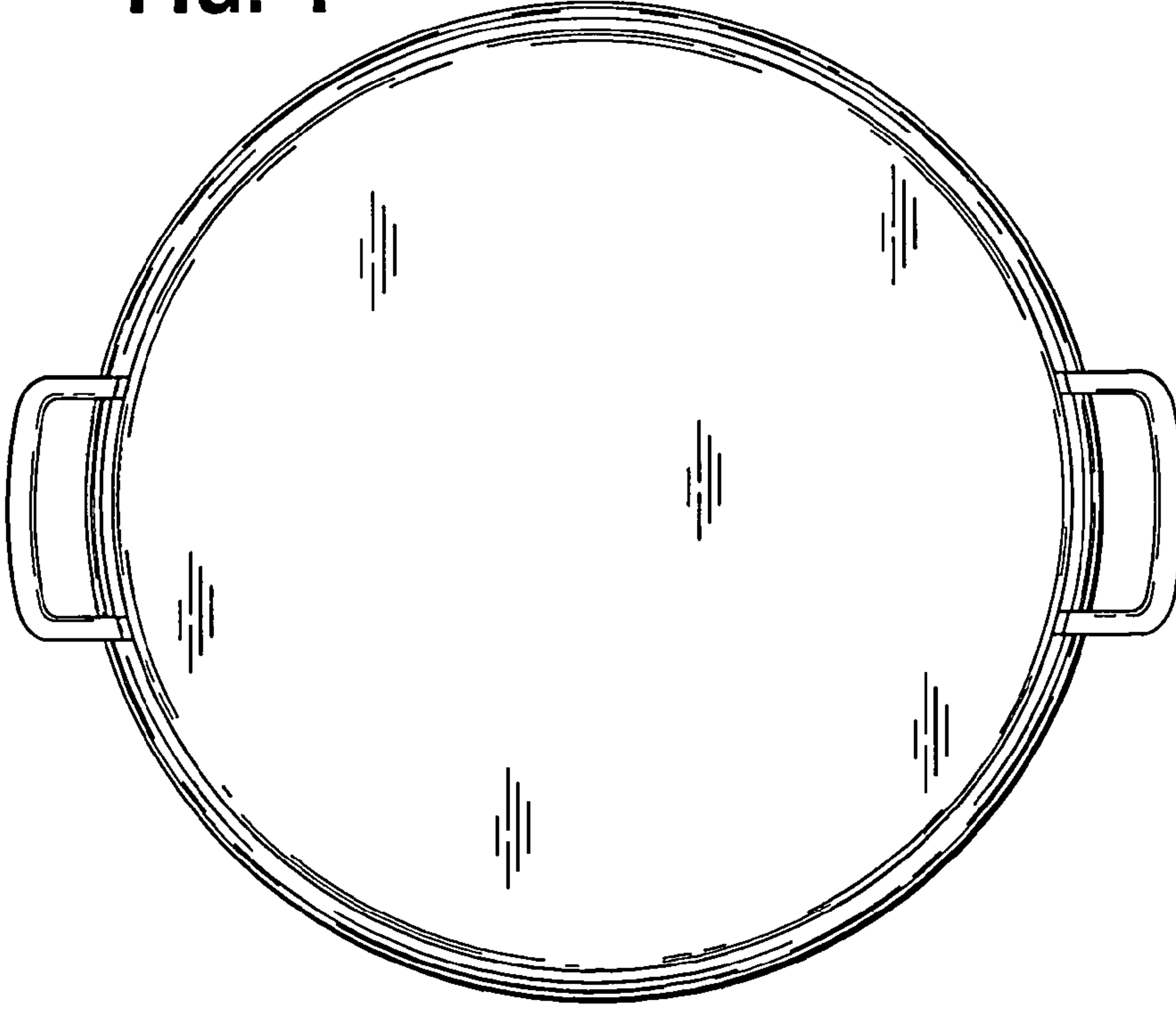


FIG. 6

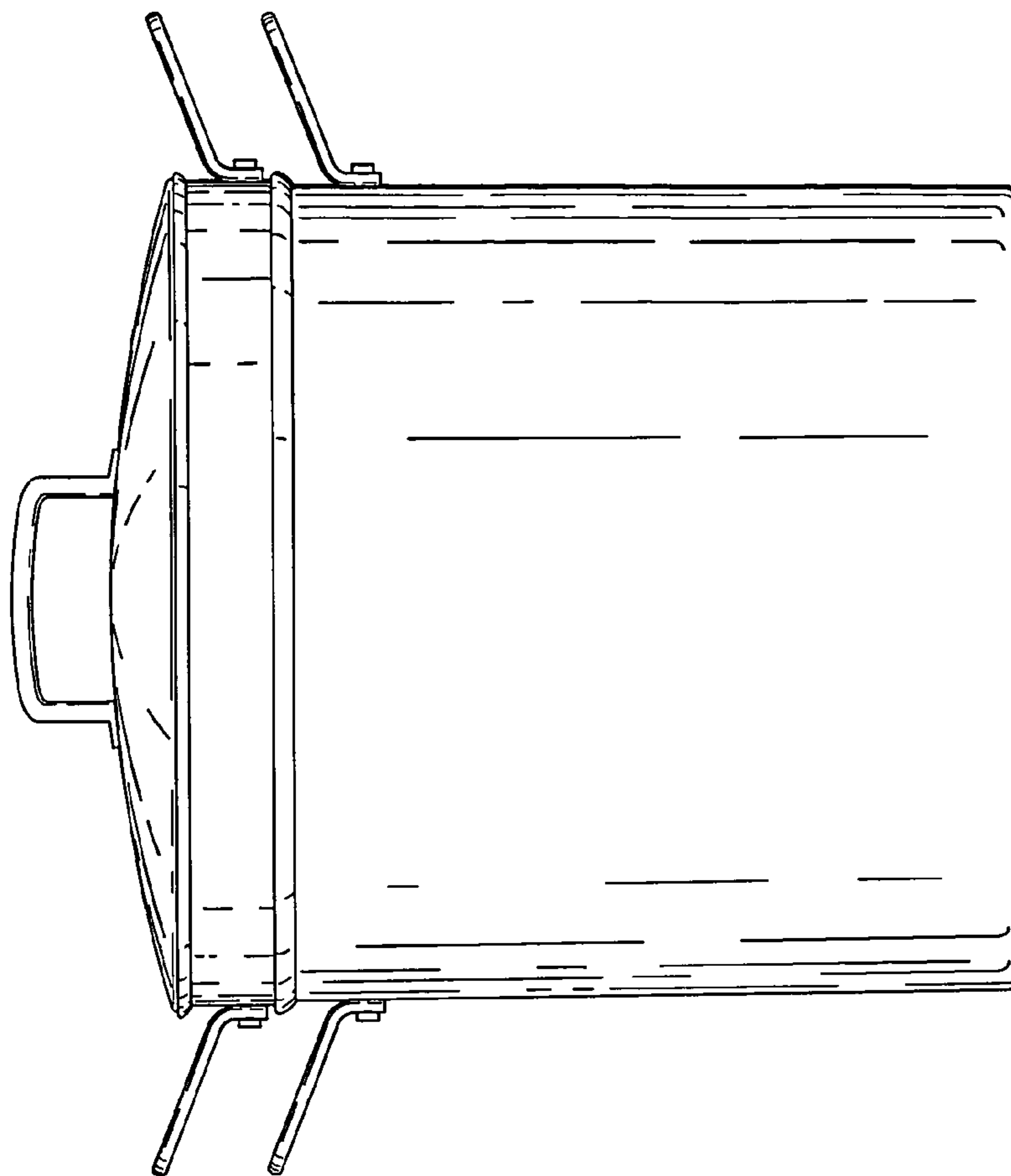


FIG. 5

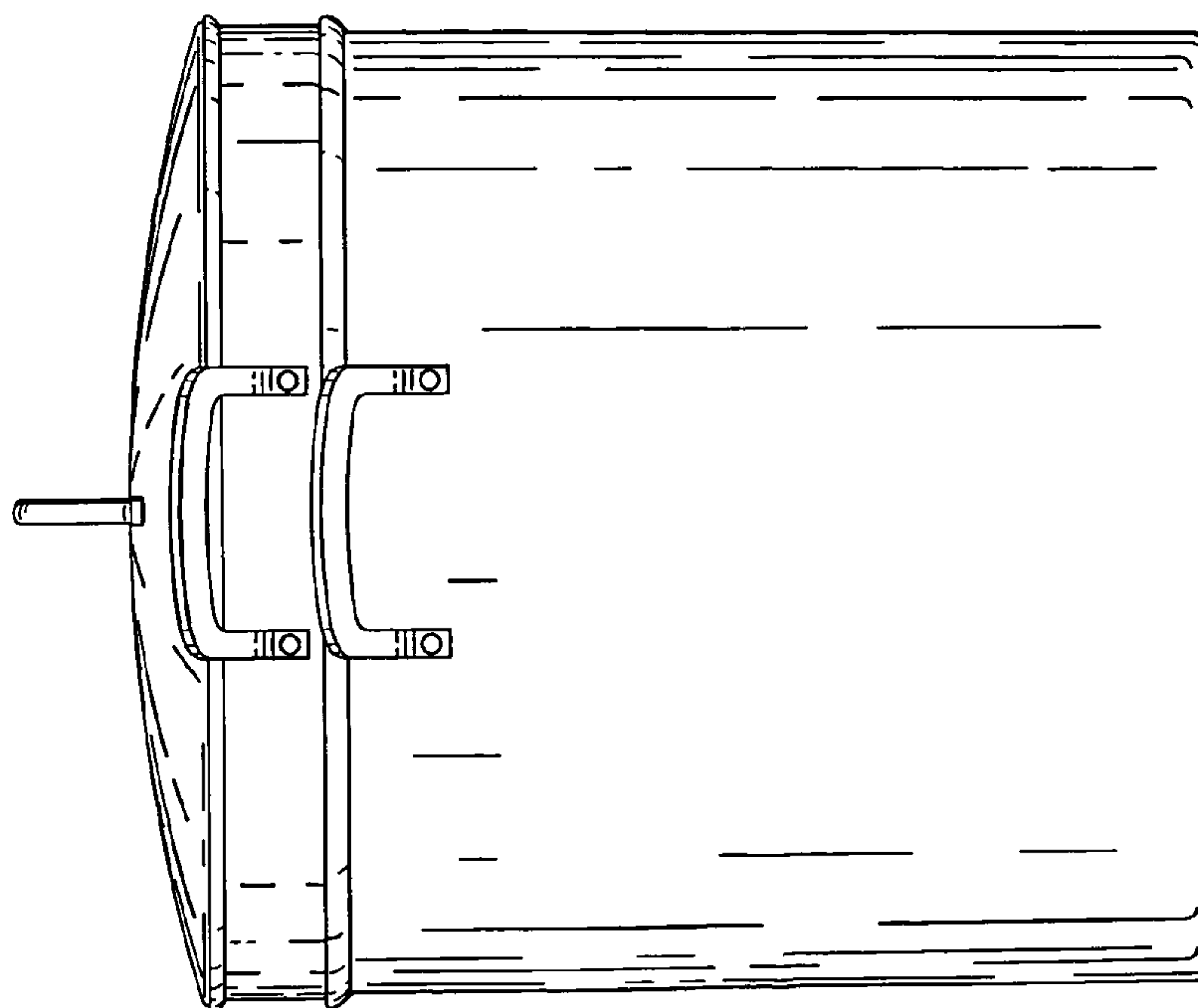


FIG. 7

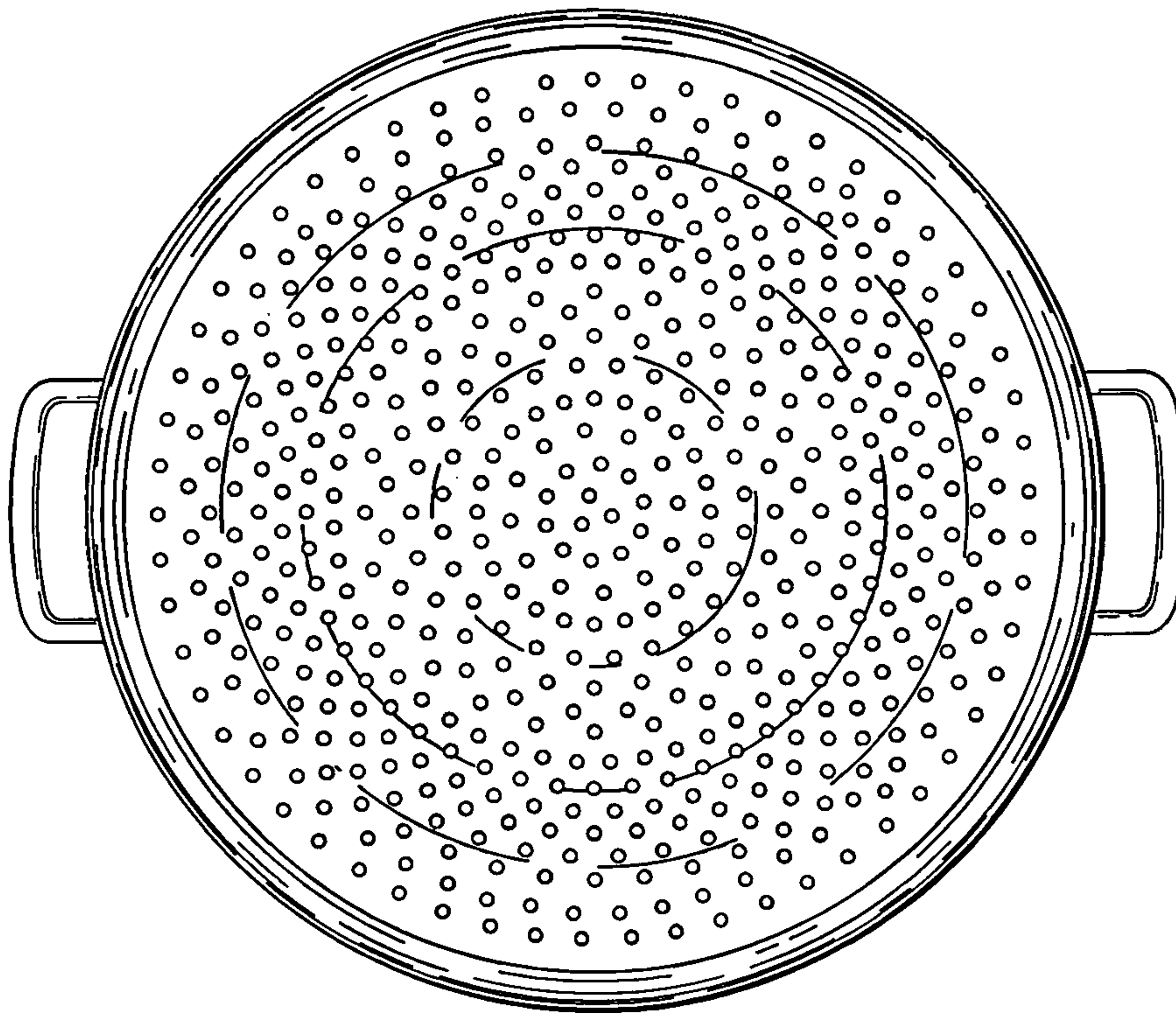


FIG. 8

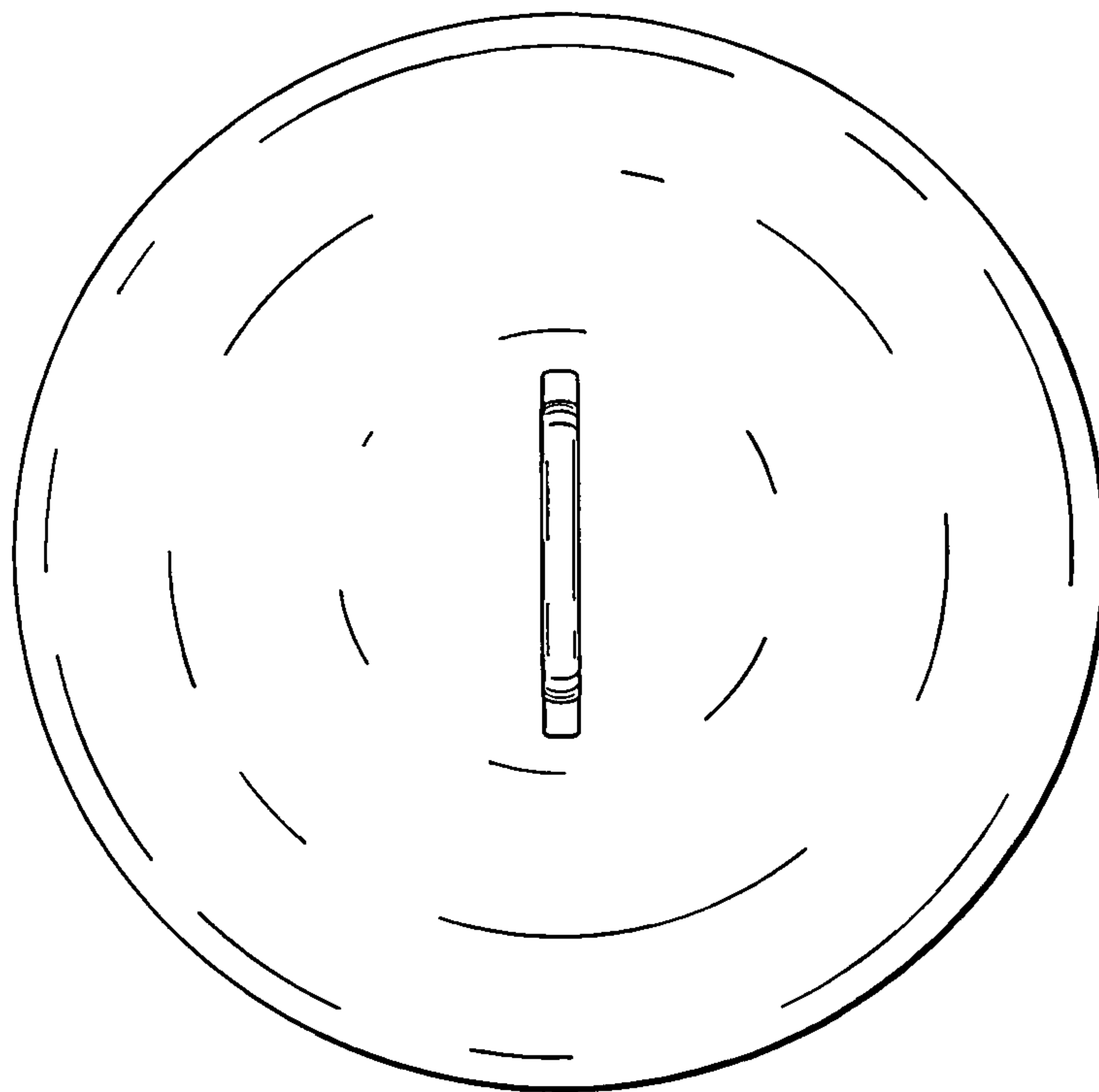


FIG. 9

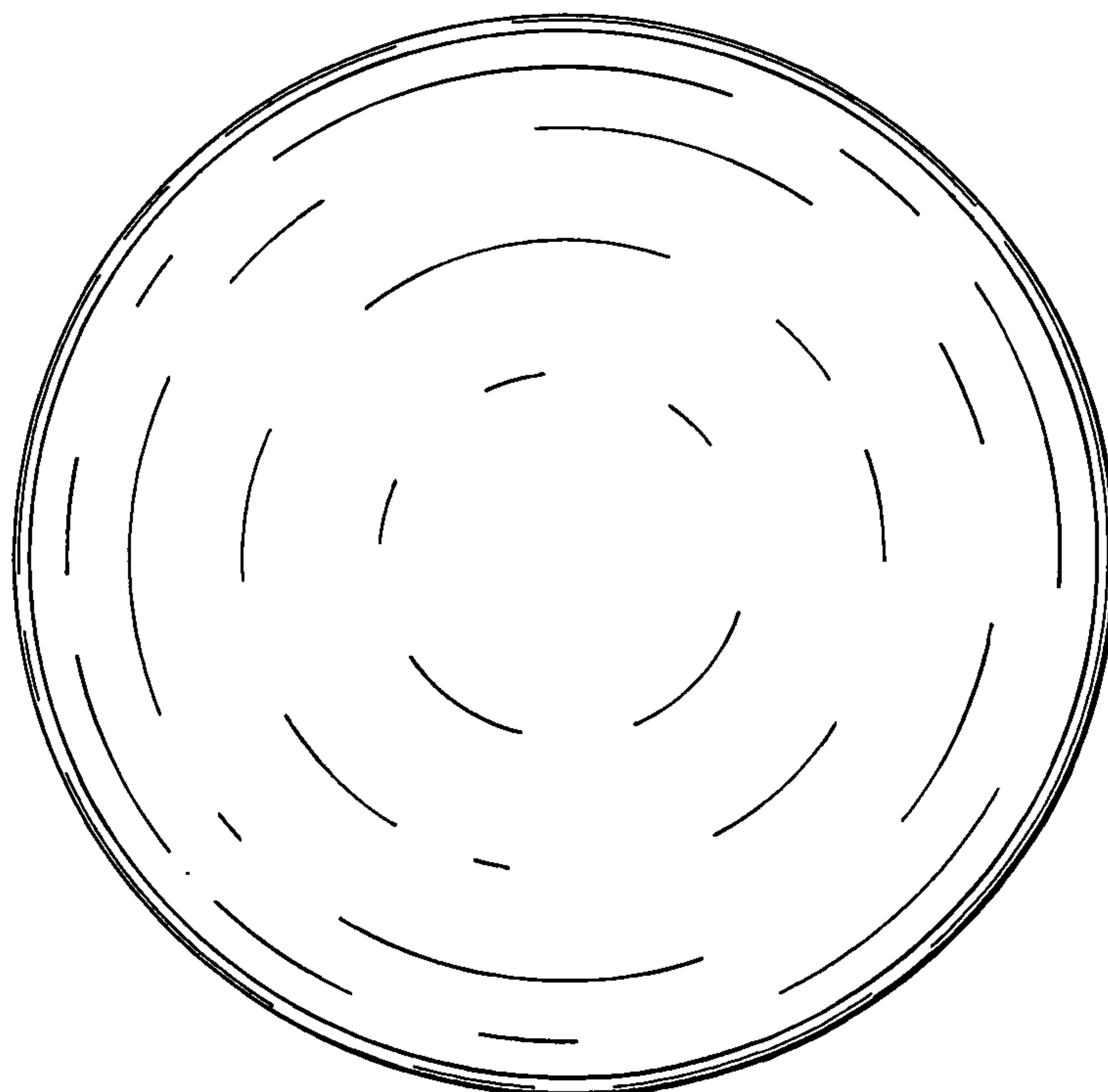


Fig. 11

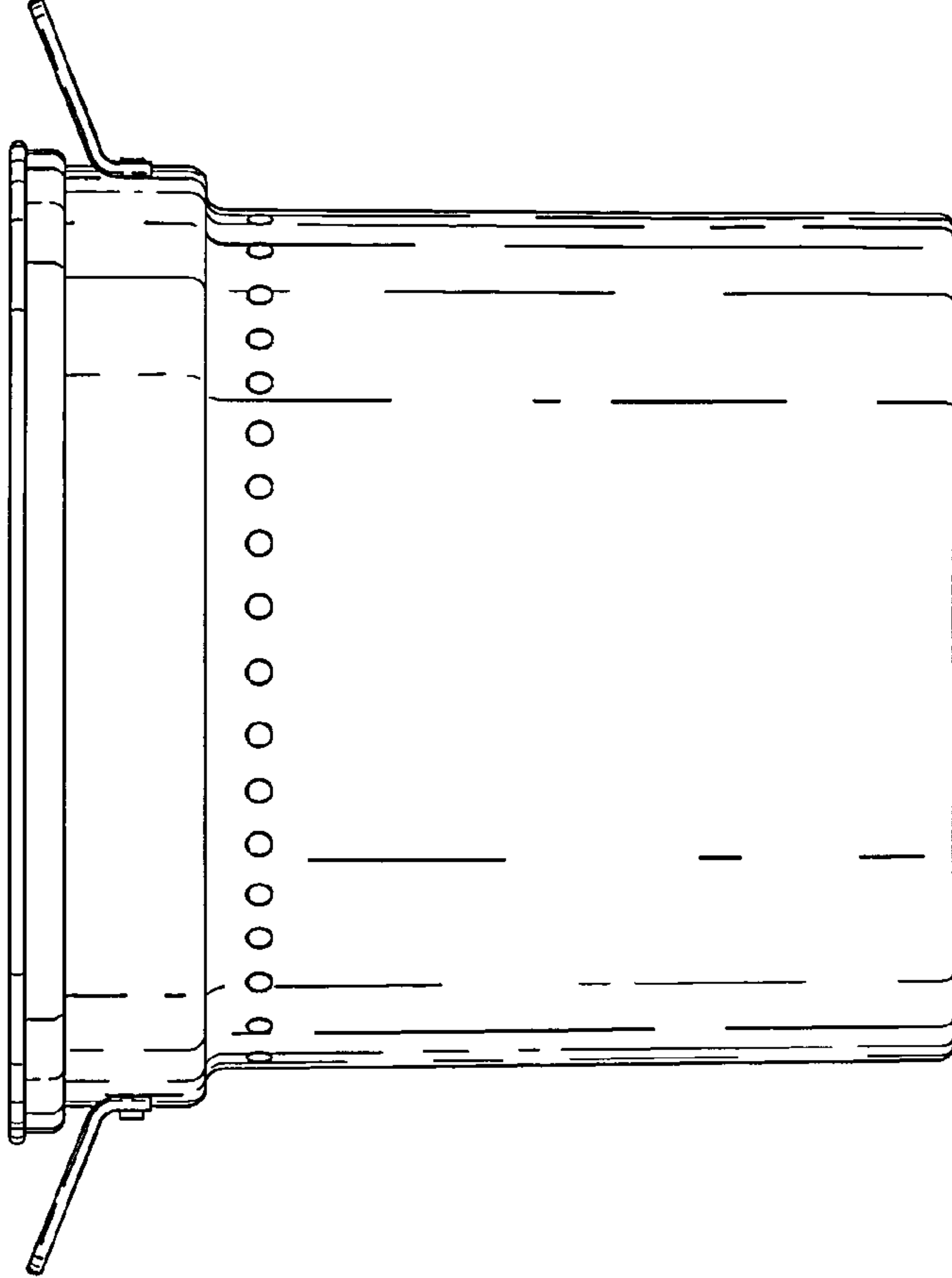


Fig. 10

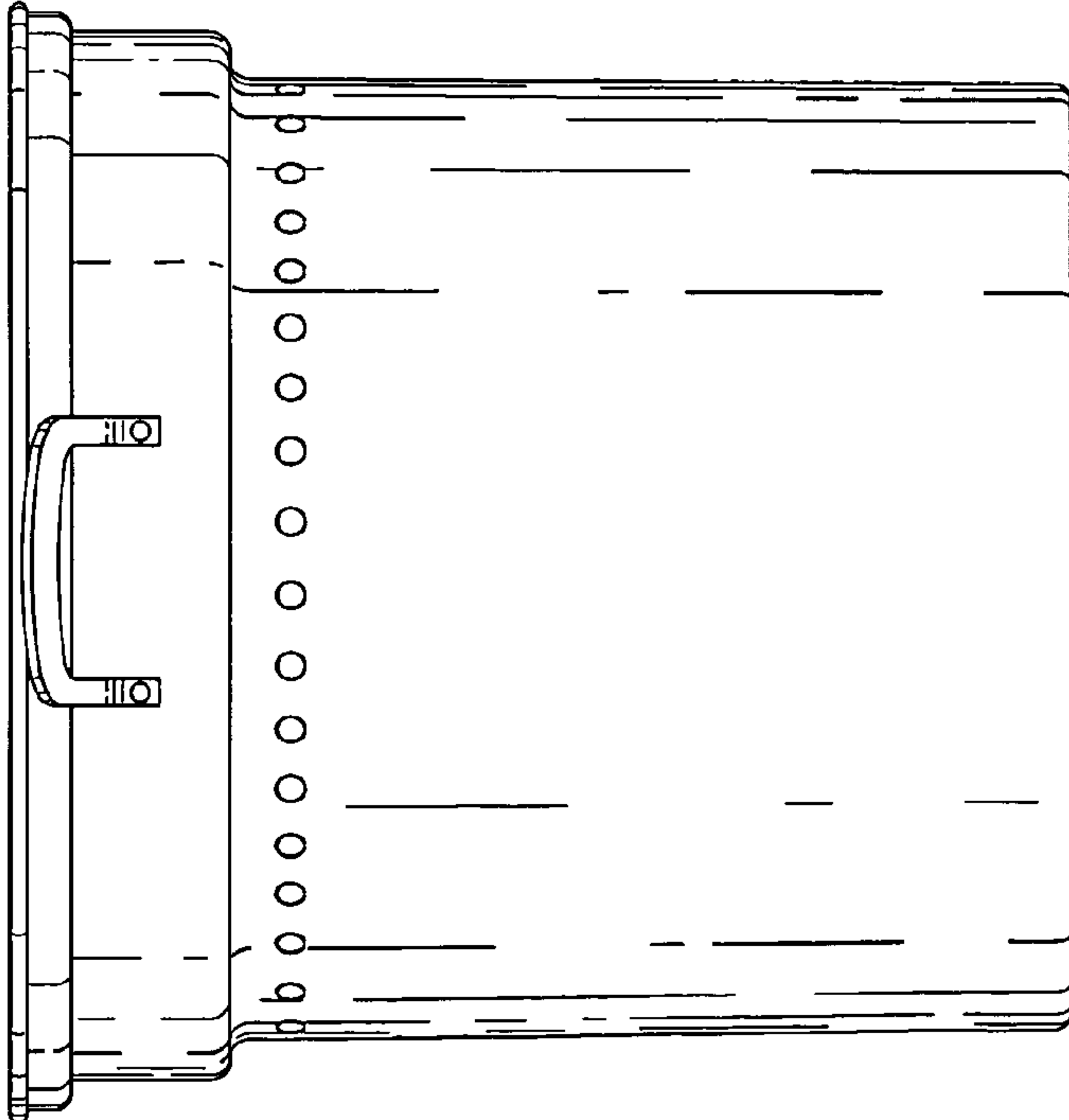


FIG. 12

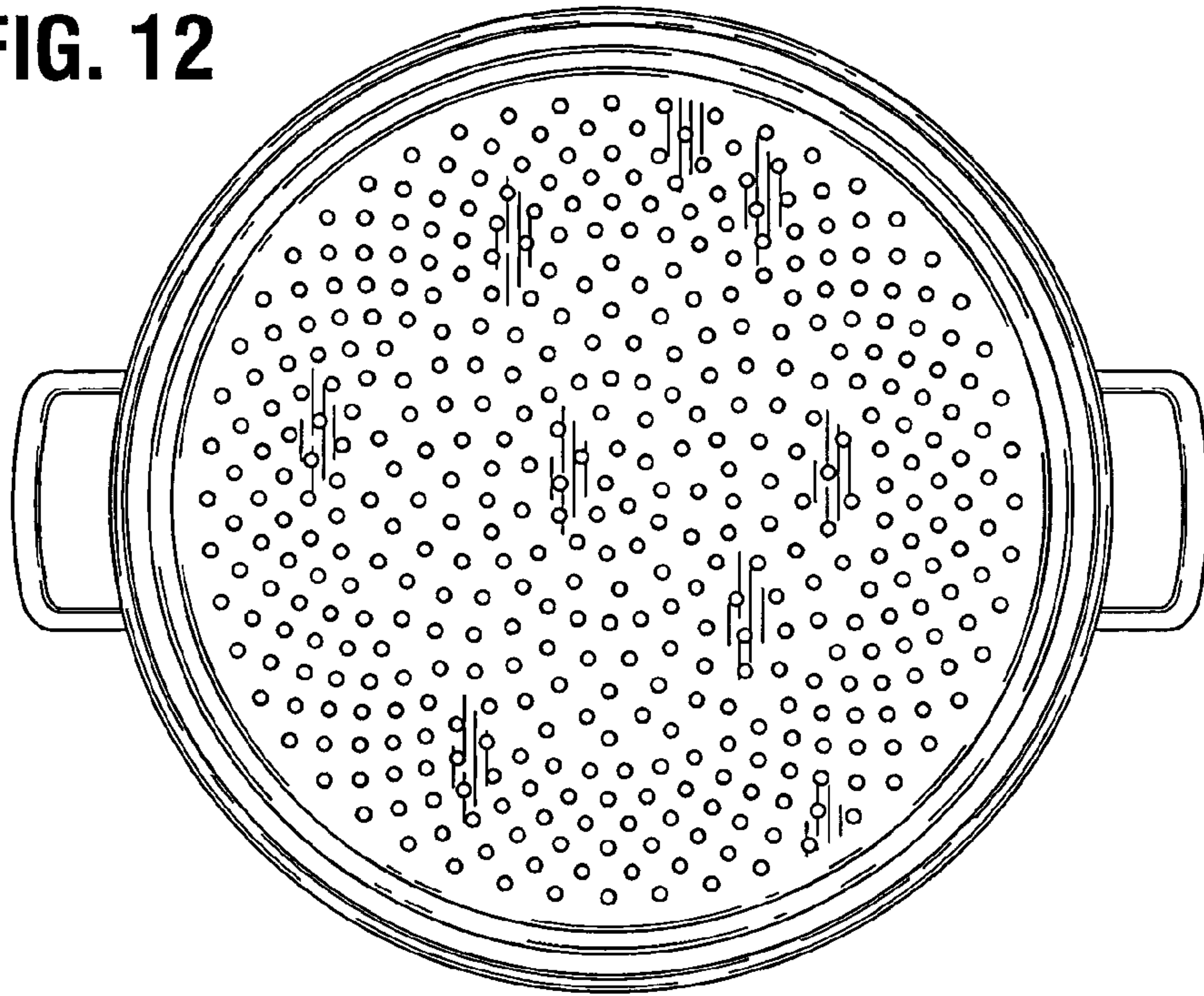


FIG. 13

