



US00D687255S

(12) **United States Design Patent**  
**Grasselli et al.**

(10) **Patent No.:** **US D687,255 S**

(45) **Date of Patent:** **\*\* Aug. 6, 2013**

(54) **COFFEE MAKER**

(75) Inventors: **Dario Grasselli**, Comerio (IT); **Leif A. Norland**, St. Joseph, MI (US); **Ben C. Shao**, Stevensville, MI (US)

(73) Assignee: **Whirlpool Corporation**, Benton Harbor, MI (US)

(\*\*) Term: **14 Years**

(21) Appl. No.: **29/415,350**

(22) Filed: **Mar. 9, 2012**

(51) **LOC (9) Cl.** ..... **07-01**

(52) **U.S. Cl.**  
USPC ..... **D7/309; D7/311; D7/306**

(58) **Field of Classification Search**  
USPC . D7/313, 306–311, 300; 220/630; 222/185.1, 222/131; 99/306, 307, 289 R; D23/209  
See application file for complete search history.

(56) **References Cited**

U.S. PATENT DOCUMENTS

D307,754 S *	5/1990	Osrow et al. ....	D15/82
D342,183 S	12/1993	Garcia de Salazar Camara	
D382,762 S *	8/1997	Felip .....	D7/309
D404,604 S *	1/1999	Pochopien et al. ....	D7/309
D411,705 S *	6/1999	Littmann .....	D7/309
D423,863 S	5/2000	Lupi	
D430,771 S *	9/2000	Saltet .....	D7/309
D496,214 S *	9/2004	Ledingham et al. ....	D7/309
D498,111 S *	11/2004	Lassota et al. ....	D7/309
D524,584 S *	7/2006	Contreras .....	D6/606
D530,138 S *	10/2006	Sumser et al. ....	D7/309
D555,969 S *	11/2007	Picozza et al. ....	D7/306

D600,493 S *	9/2009	Pino et al. ....	D7/309
D610,857 S *	3/2010	Pateman et al. ....	D7/306
D628,007 S *	11/2010	Di Bitonto et al. ....	D7/310
D666,049 S *	8/2012	Struzka .....	D7/306
2006/0283859 A1	12/2006	Lu	
2011/0126717 A1	6/2011	Gavillet	

FOREIGN PATENT DOCUMENTS

CN	201499948 U	6/2010
JP	10248726 A	9/1998
WO	2011144719 A1	11/2011

\* cited by examiner

*Primary Examiner* — Marianne Pandozzi

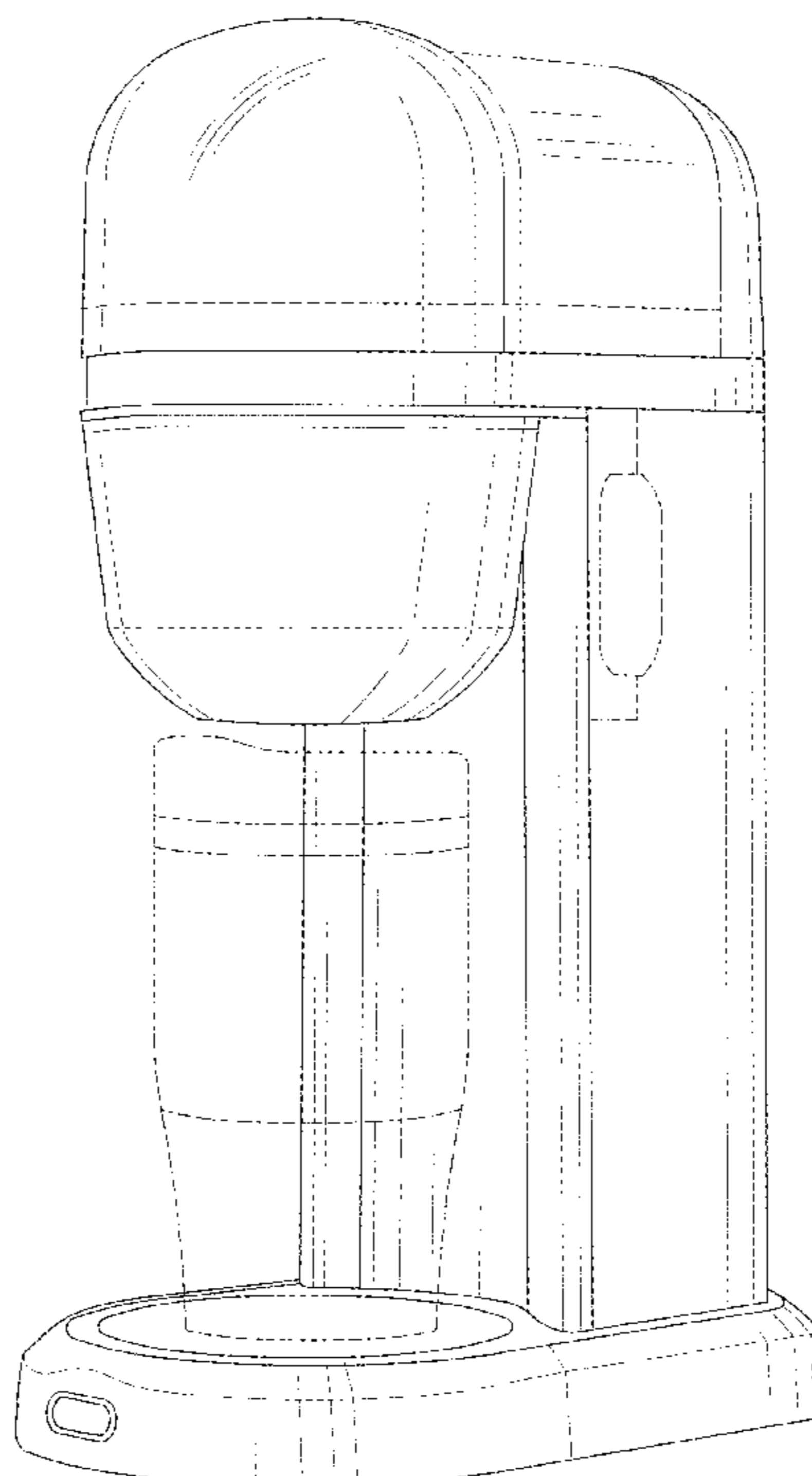
(57) **CLAIM**

We claim the ornamental design for a coffee maker, as shown and described.

**DESCRIPTION**

FIG. 1 is a front perspective view of a design of the coffee maker;  
FIG. 2 is a front elevation view of the coffee maker of FIG. 1;  
FIG. 3 is a rear elevation view of the coffee maker of FIG. 1;  
FIG. 4 is a first side elevation view of the coffee maker of FIG. 1, with the second side elevation view being a mirror image of FIG. 4; and,  
FIG. 5 is a top plan view of the coffee maker of FIG. 1.  
The bottom plan view is not shown and forms no part of the claimed design. The features shown in broken lines depict environmental subject matter only and form no part of the claimed design.

**1 Claim, 5 Drawing Sheets**



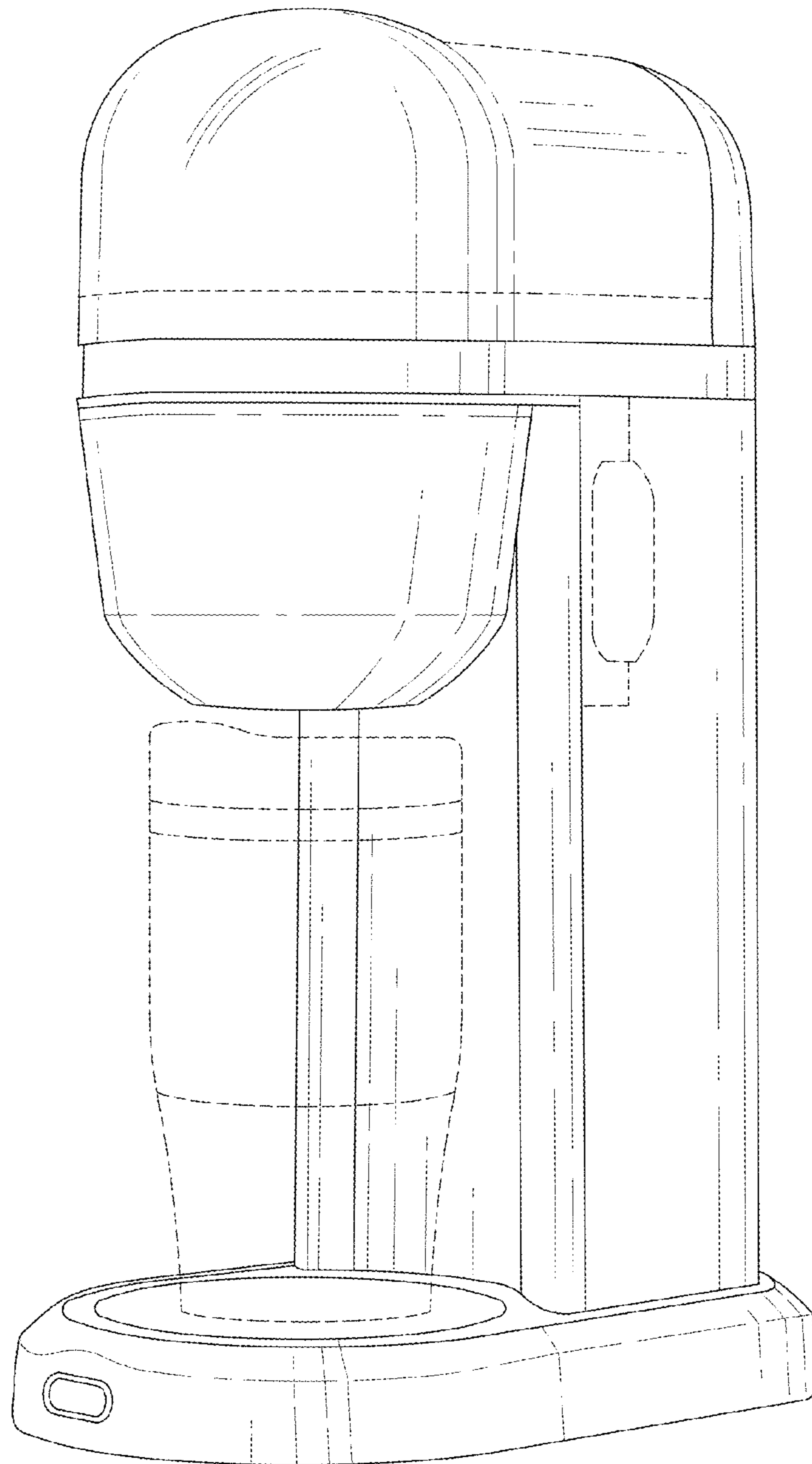


Fig. 1

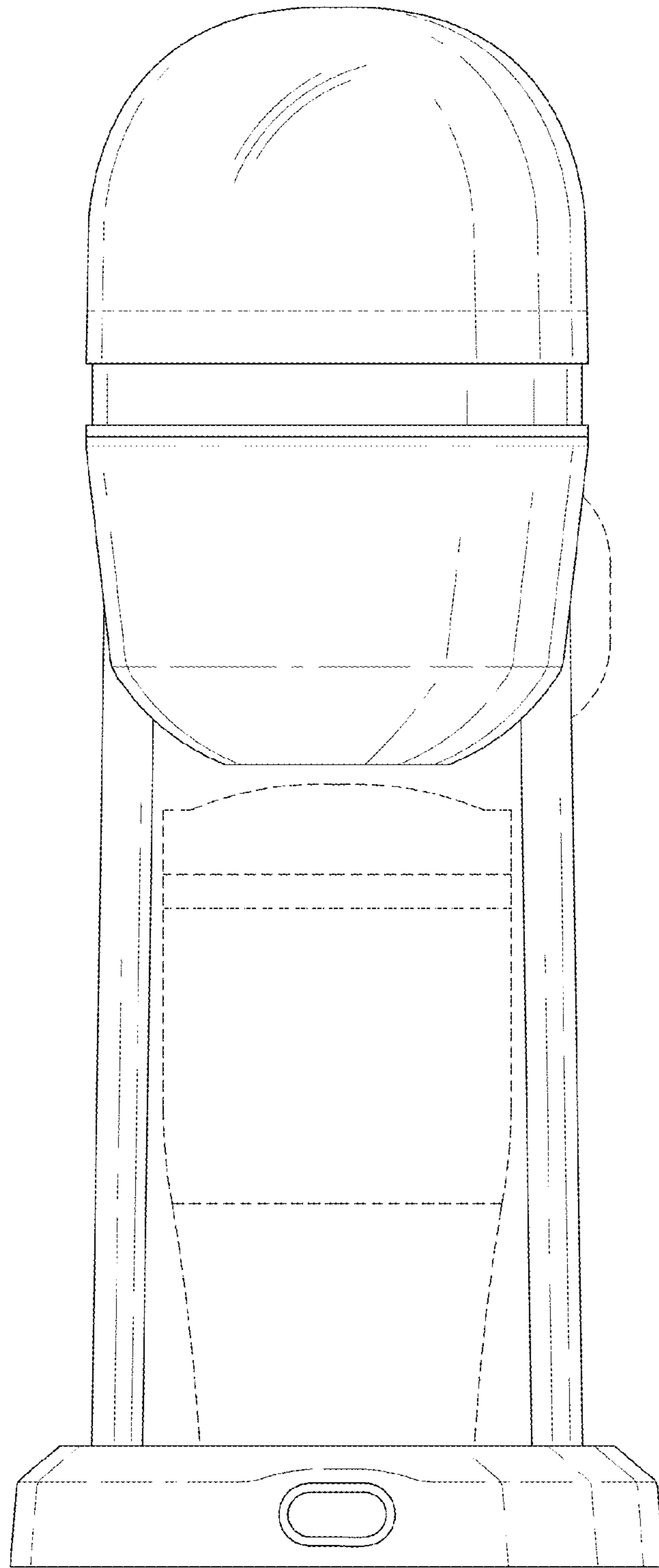


Fig. 2

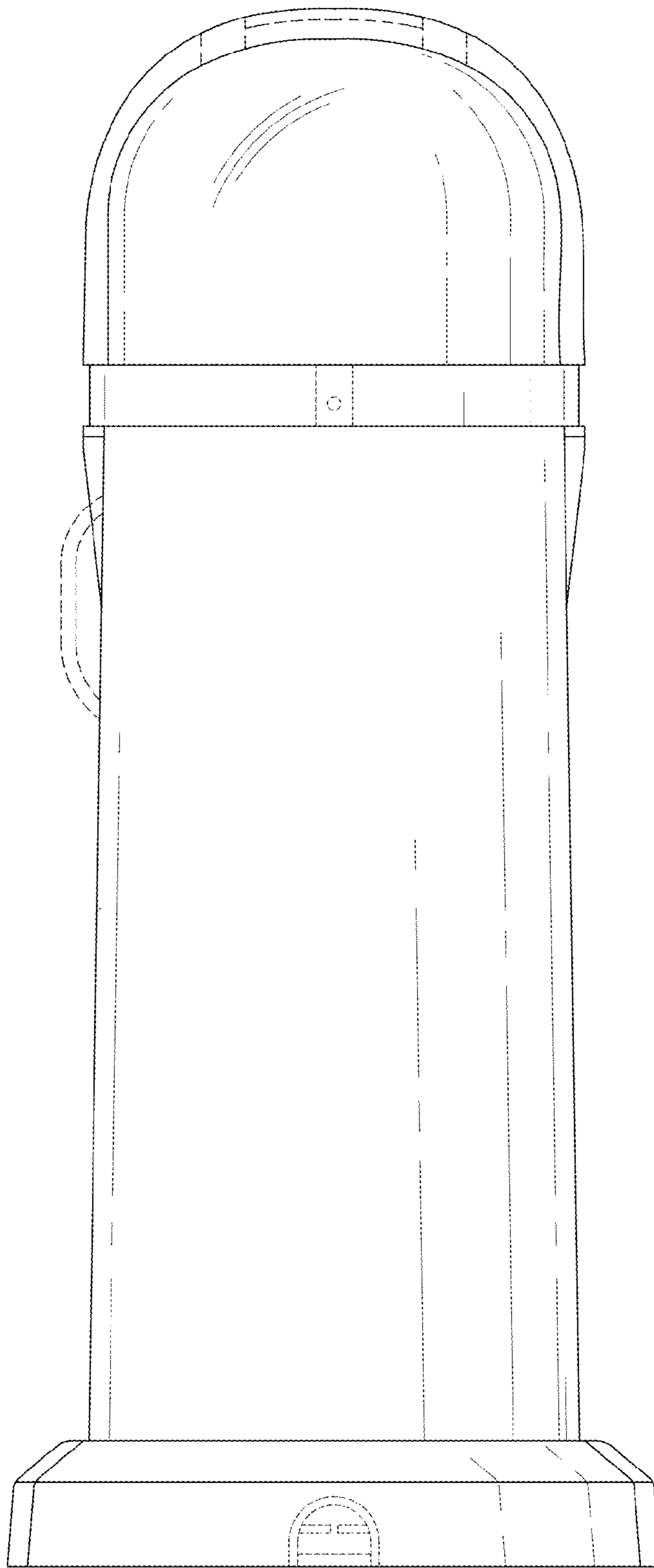


Fig. 3

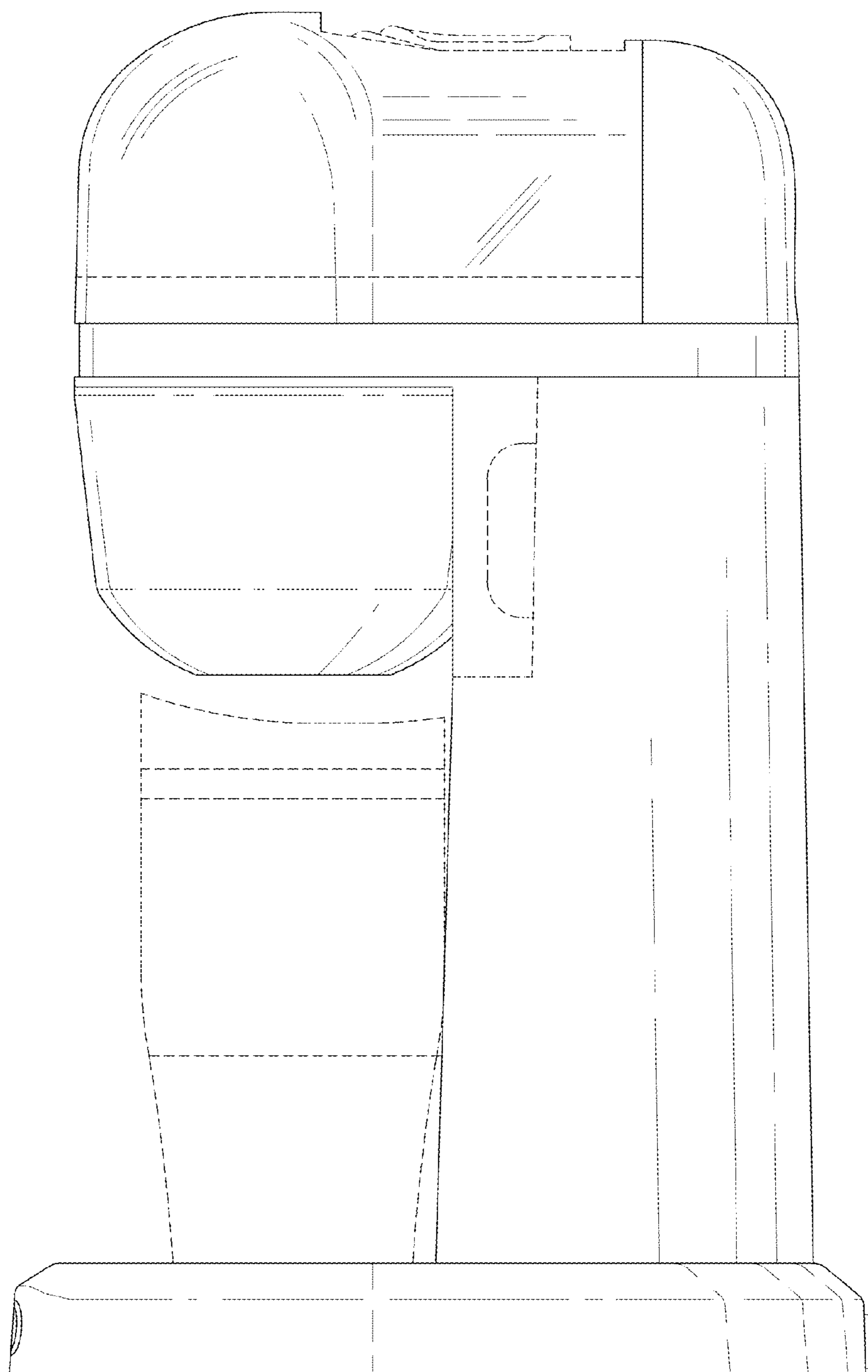


Fig. 4

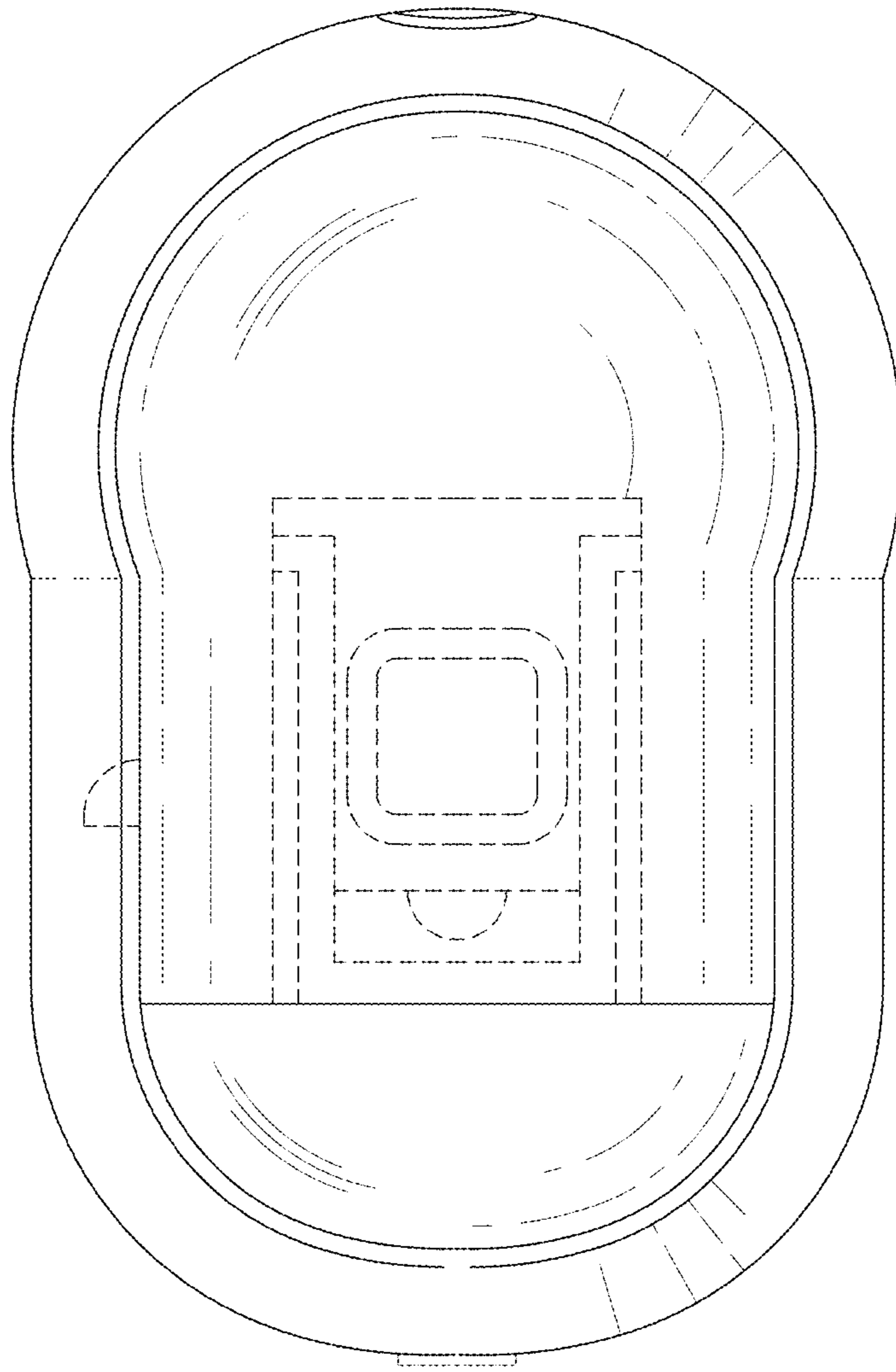


Fig. 5