



US00D687252S

(12) **United States Design Patent**
Knoll et al.

(10) **Patent No.:** **US D687,252 S**

(45) **Date of Patent:** **** Aug. 6, 2013**

(54) **CHECKLANE**

(75) Inventors: **Mitchell Knoll**, Eagan, MN (US);
Robert P. Stoltz, Edina, MN (US);
David J. Floersch, Minneapolis, MN
(US); **William Y. Stafford**, Minnetrista,
MN (US); **Robert D. Peota**,
Minneapolis, MN (US)

(73) Assignee: **Target Brands, Inc.**, Minneapolis, MN
(US)

(**) Term: **14 Years**

(21) Appl. No.: **29/432,250**

(22) Filed: **Sep. 14, 2012**

(51) **LOC (9) Cl.** **06-06**

(52) **U.S. Cl.**
USPC **D6/702**

(58) **Field of Classification Search**
USPC D6/702, 698, 719, 707, 699; 186/67,
186/66, 62, 61, 59, 68; 235/383
See application file for complete search history.

(56) **References Cited**

U.S. PATENT DOCUMENTS

3,075,616	A *	1/1963	Shofiner	186/66
3,126,981	A *	3/1964	Crawford	186/66
4,138,000	A *	2/1979	Hartup	186/61
D264,654	S *	6/1982	Langen et al.	D6/402
D283,379	S *	4/1986	Adams	D6/402
4,953,664	A *	9/1990	Vrooman et al.	186/59

D341,508	S *	11/1993	Cooper et al.	D6/492
D396,573	S *	8/1998	Dewitt	D6/402
6,155,381	A *	12/2000	White et al.	186/68
6,668,979	B2 *	12/2003	McQuaid et al.	186/68
7,255,271	B2	8/2007	Ulrich et al.		
7,578,440	B2	8/2009	Ulrich et al.		
D658,408	S *	5/2012	Spurgeon	D6/491
2003/0111296	A1 *	6/2003	McQuaid et al.	186/68
2004/0041021	A1 *	3/2004	Nugent, Jr.	235/383

OTHER PUBLICATIONS

Office Action from Canadian Patent Application No. 147,802, mailed
Apr. 11, 2013 (5 pages).

* cited by examiner

Primary Examiner — Cathron Brooks

Assistant Examiner — Sydney Buffalow

(74) *Attorney, Agent, or Firm* — Leanne Taveggia Farrell;
Westman, Champlin & Kelly, P.A.

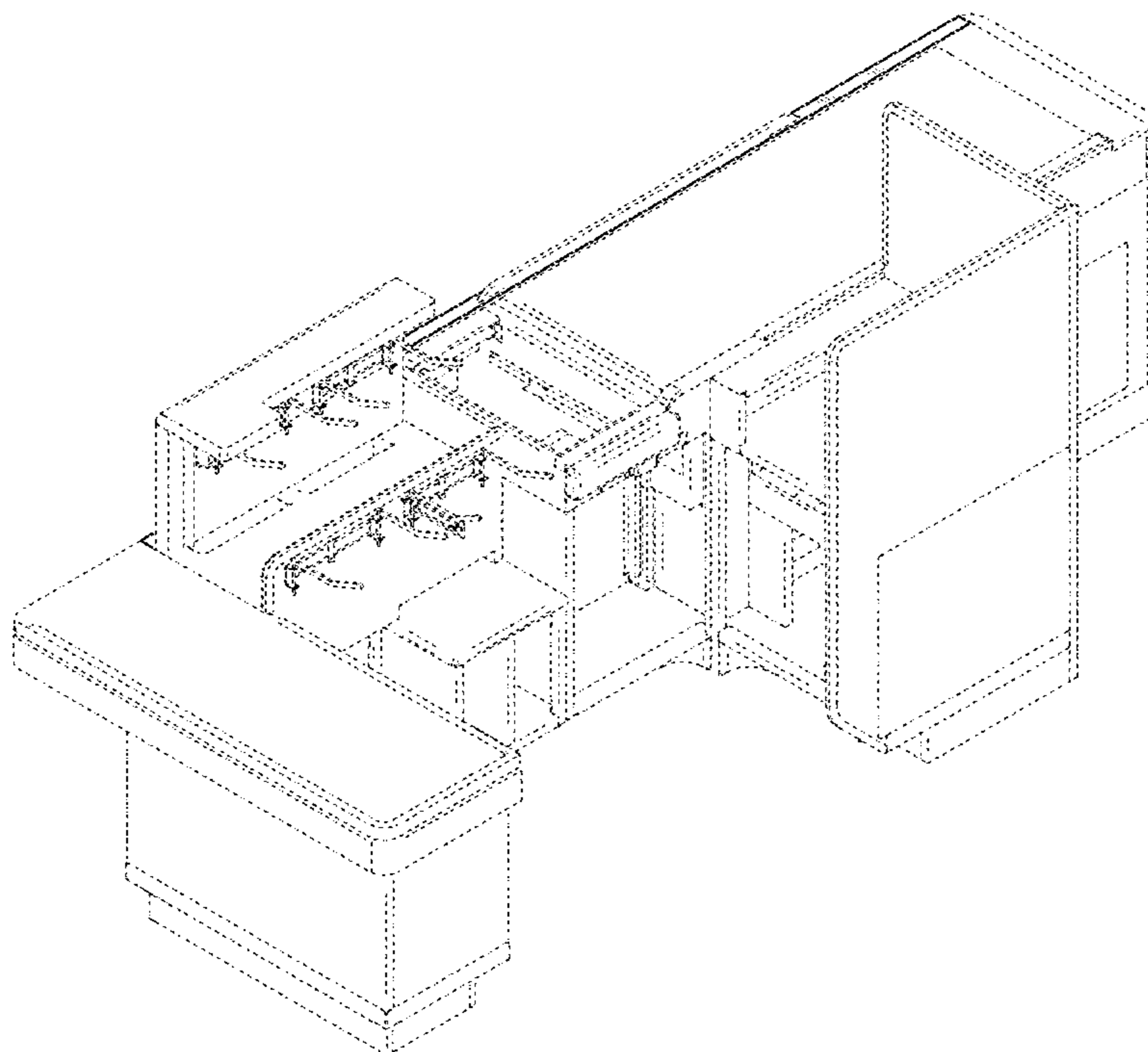
(57) **CLAIM**

The ornamental design for a checklane, as shown and
described.

DESCRIPTION

FIG. 1 is a back perspective view of a checklane;
FIG. 2 is a front perspective view thereof;
FIG. 3 is a top view thereof;
FIG. 4 is a back view thereof;
FIG. 5 is a front view thereof;
FIG. 6 is a right side view thereof; and,
FIG. 7 is a left side view thereof.
The broken lines shown illustrate portions of the checklane
that form no part of the claimed design.

1 Claim, 7 Drawing Sheets



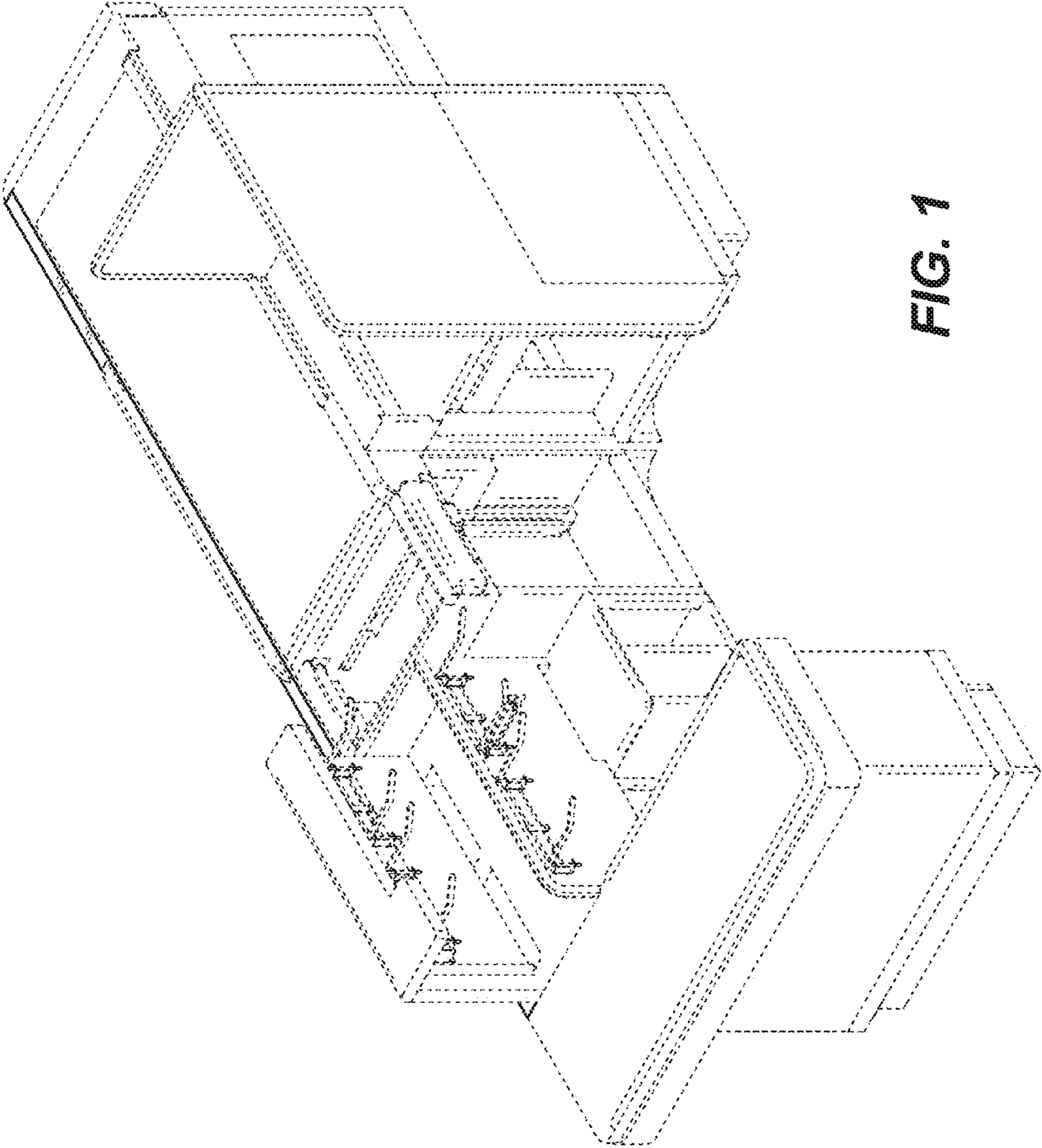


FIG. 1

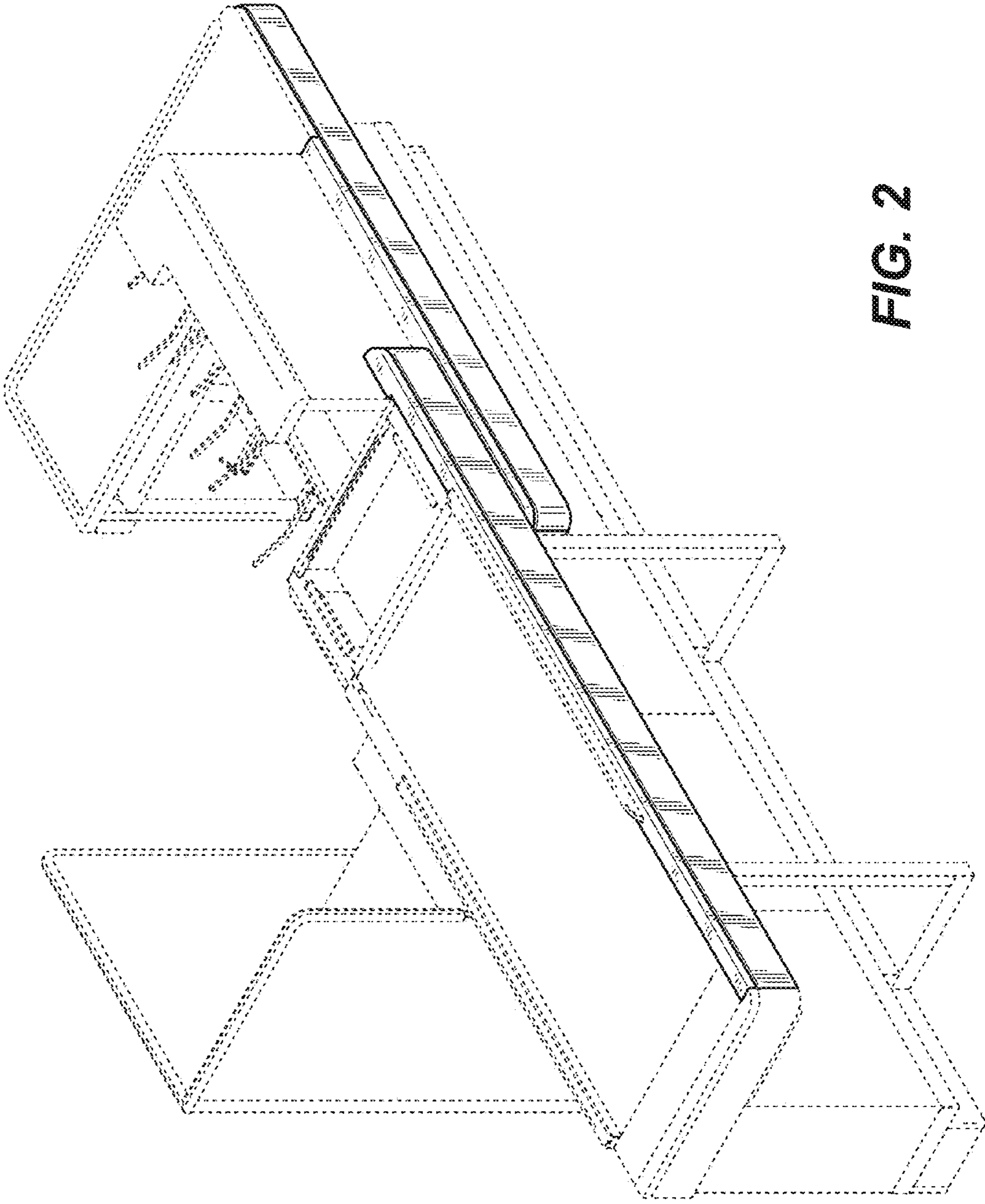


FIG. 2

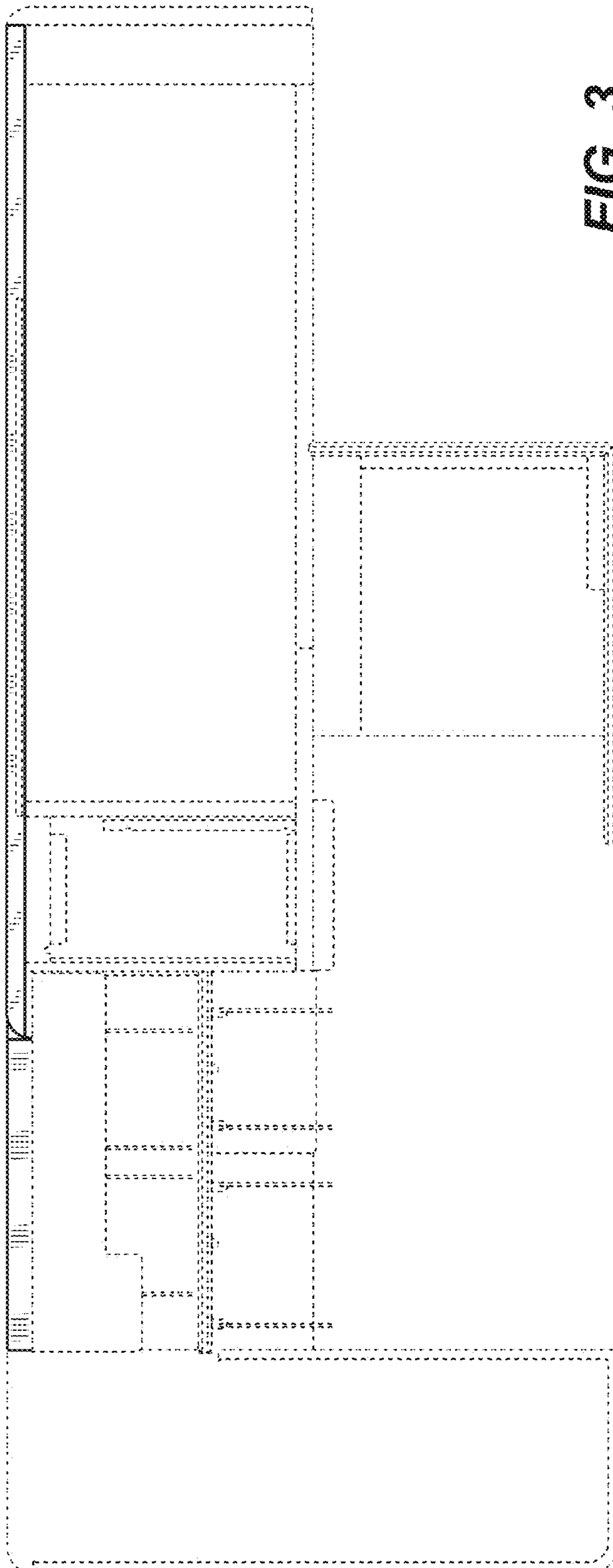


FIG. 3

FIG. 4

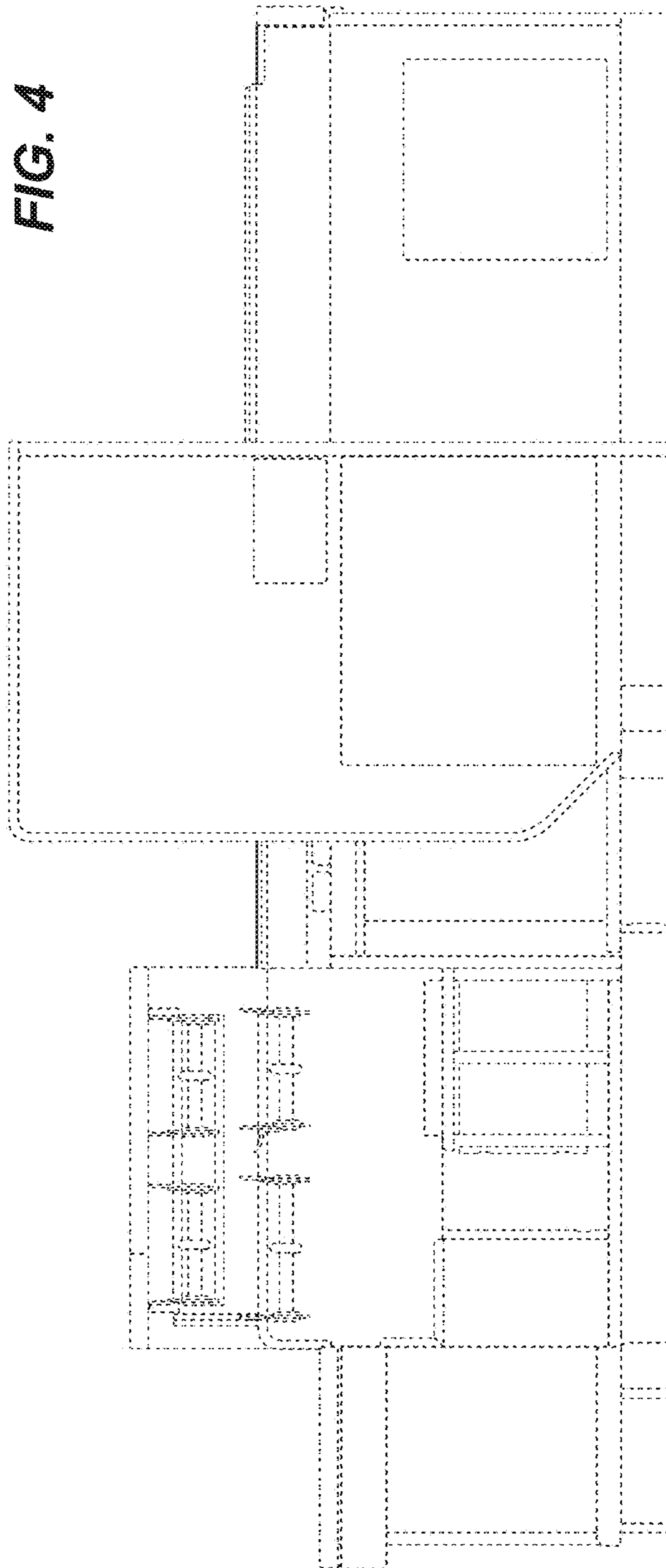
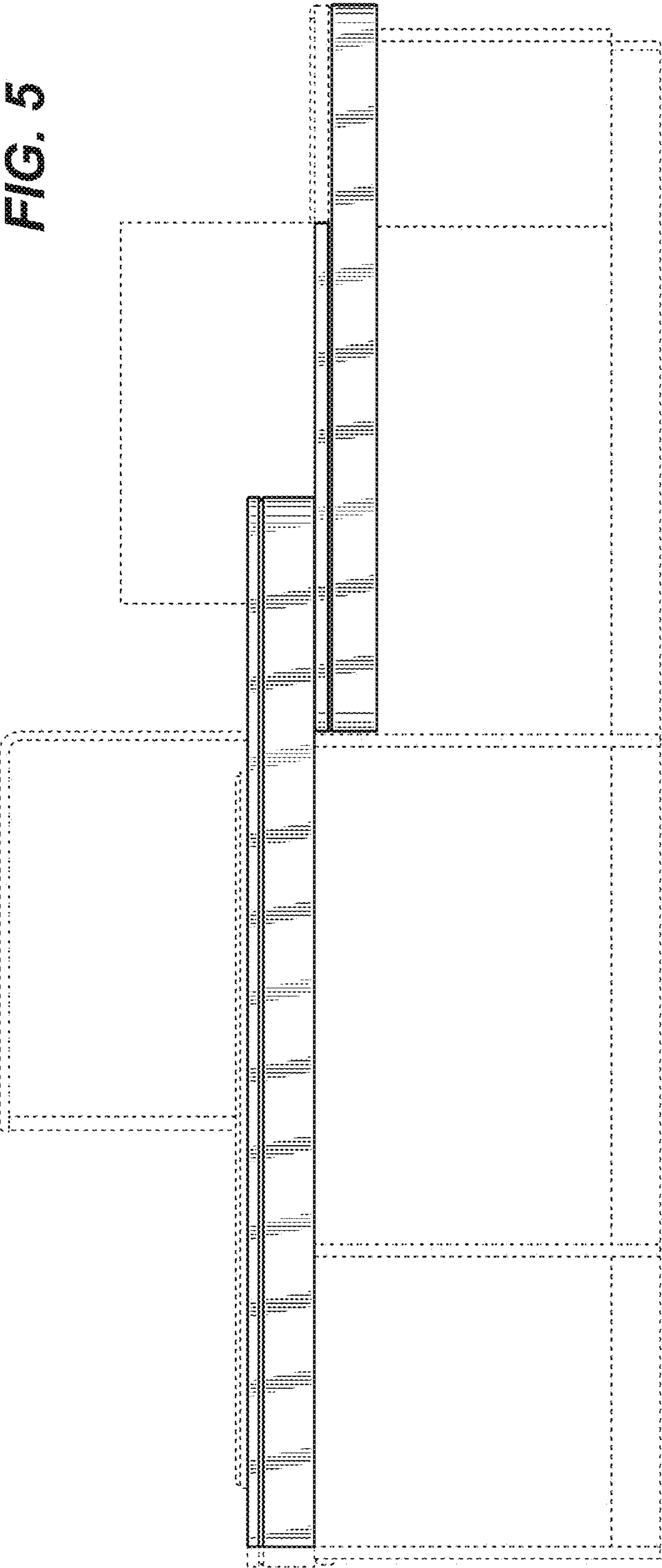


FIG. 5



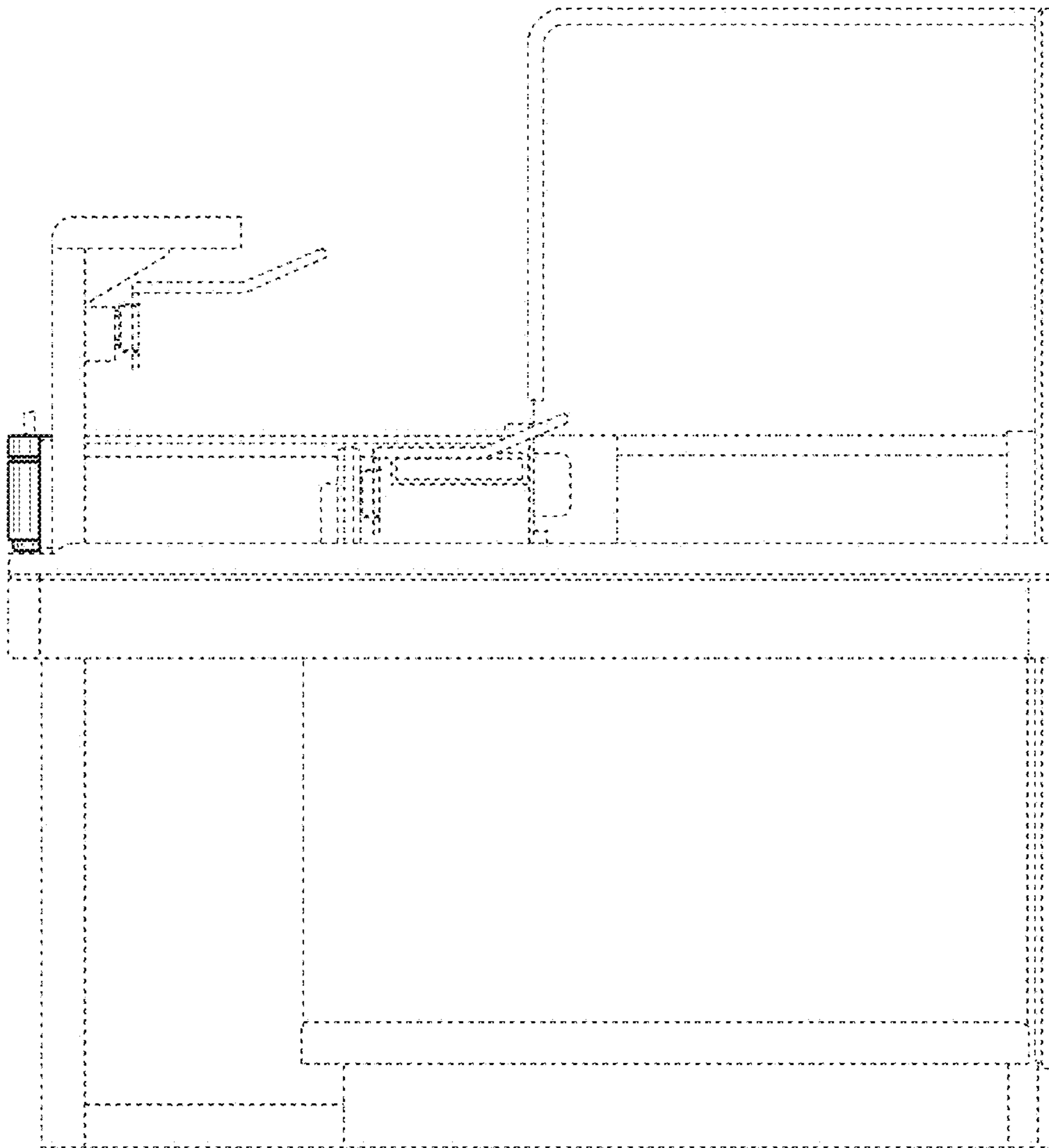


FIG. 6

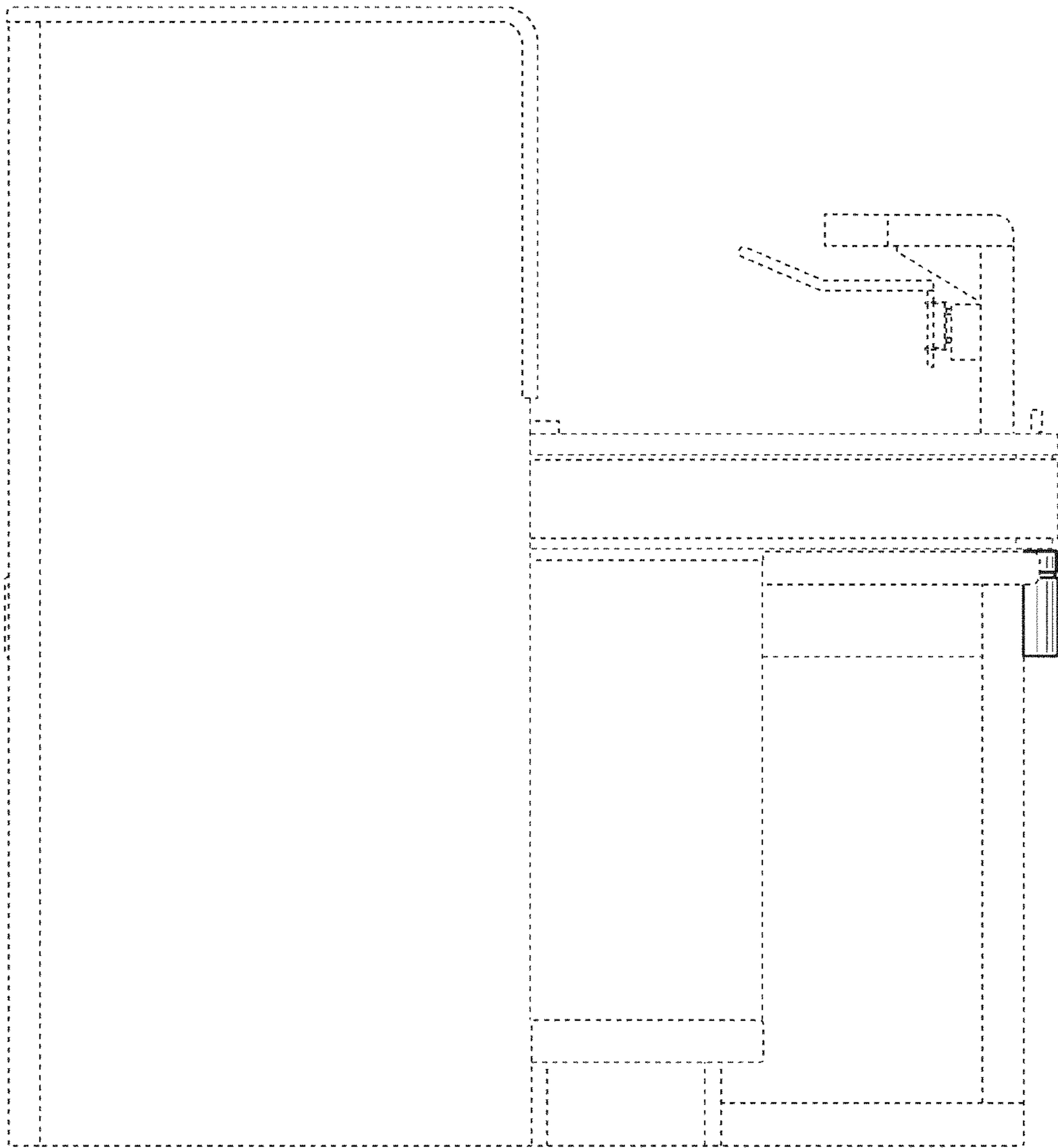


FIG. 7