



US00D687249S

(12) **United States Design Patent**  
**Price**

(10) **Patent No.:** **US D687,249 S**

(45) **Date of Patent:** **\*\* Aug. 6, 2013**

(54) **MATTRESS BORDER WITH BUTTONS**

(75) **Inventor:** **Elvin C. Price**, Dacula, GA (US)

(73) **Assignee:** **Atlanta Attachment Company**,  
Lawrenceville, GA (US)

(\*\*) **Term:** **14 Years**

(21) **Appl. No.:** **29/422,171**

(22) **Filed:** **May 17, 2012**

(51) **LOC (9) Cl.** ..... **06-09**

(52) **U.S. Cl.**  
USPC ..... **D6/605**

(58) **Field of Classification Search**  
USPC ..... D6/595, 596, 605, 602, 603; 5/690,  
5/703, 704, 716, 717, 739, 740, 657.5, 675,  
5/680, 700, 737, 499, 721, 907  
See application file for complete search history.

(56) **References Cited**

**U.S. PATENT DOCUMENTS**

1,355,729	A	10/1920	Bennett	
1,413,577	A	4/1922	Eldredge	
1,762,106	A	6/1930	Pittoni	
1,892,203	A	12/1932	Burton et al.	
1,892,913	A *	1/1933	Timm	5/738
2,200,011	A	5/1940	Riley	
2,229,385	A	1/1941	Munson et al.	
2,611,910	A	9/1952	Bell	
2,973,526	A *	3/1961	Wetzler	5/737
2,975,437	A	3/1961	Freeman	
3,047,888	A *	8/1962	Shecter et al.	428/218
4,554,693	A	11/1985	Calloway	
6,640,362	B1	11/2003	Kimball	
6,854,139	B2 *	2/2005	Lamy	5/485
D551,011	S	9/2007	Van Patten	
D551,012	S	9/2007	Van Patten	
D552,397	S	10/2007	Van Patten	
D622,088	S	8/2010	Morrison	
D622,531	S	8/2010	Morrison et al.	
D633,322	S	3/2011	Morrison	

D640,082	S	6/2011	Morrison	
D642,413	S	8/2011	Rinehart	
D651,443	S	1/2012	Wightman	
D659,459	S	5/2012	Jung et al.	
D662,751	S	7/2012	Morrison et al.	
D681,999	S *	5/2013	Price	D6/605
2012/0297547	A1 *	11/2012	Myers et al.	5/737

\* cited by examiner

*Primary Examiner* — Janice Seeger

(74) *Attorney, Agent, or Firm* — Womble Carlyle Sandridge & Rice LLP

(57) **CLAIM**

The ornamental design for a mattress border with buttons, as shown and described.

**DESCRIPTION**

FIG. 1 is a perspective view of a mattress border with buttons showing my new design.

FIG. 2 is a left elevation view of the mattress border with buttons of FIG. 1.

FIG. 3 is a right elevation view of the mattress border with buttons of FIG. 1.

FIG. 4 is a rear elevation view of the mattress border with buttons of FIG. 1.

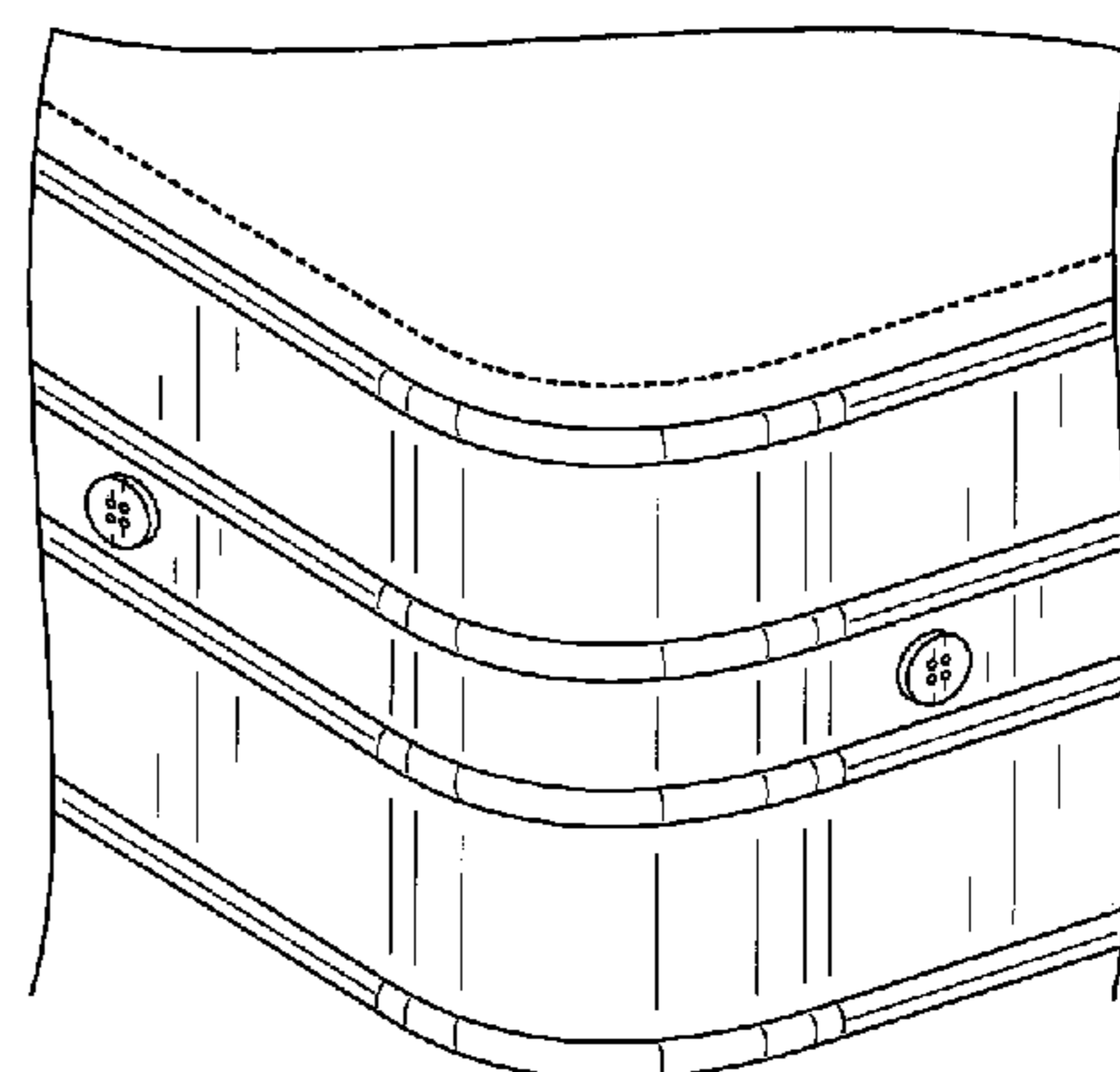
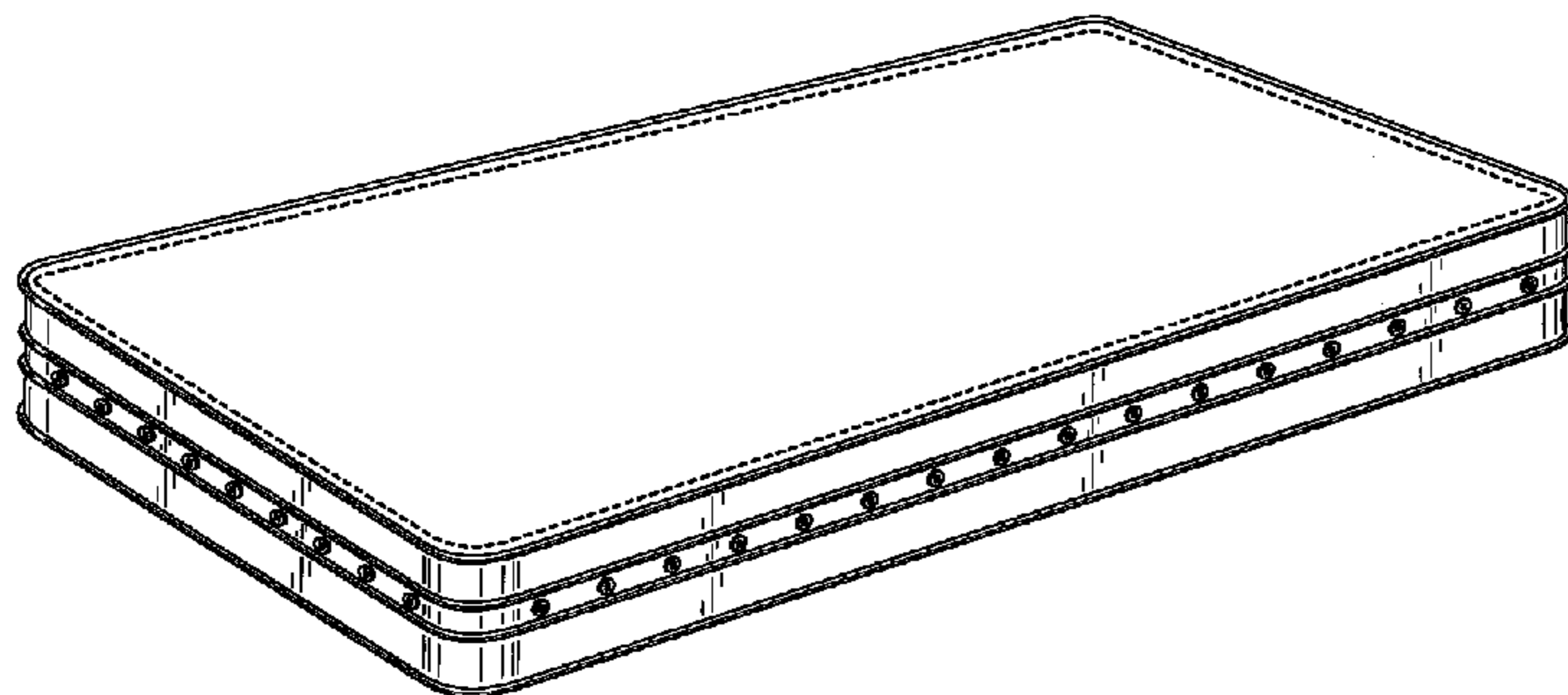
FIG. 5 is a front elevation view of the mattress border with buttons of FIG. 1.

FIG. 6 is a top plan view of the mattress border with buttons of FIG. 1, which is identical to the opposite, bottom plan view of the mattress border with buttons of FIG. 1; and,

FIG. 7 is an enlarged view of a corner of the mattress border with buttons and is illustrative of a portion of each of FIGS. 1-5 showing the design shown in closer detail.

The broken lines shown in the drawings are for environmental purposes only and form no part of the claimed design. The areas encompassed by the broken lines form no part of the claimed design.

**1 Claim, 5 Drawing Sheets**



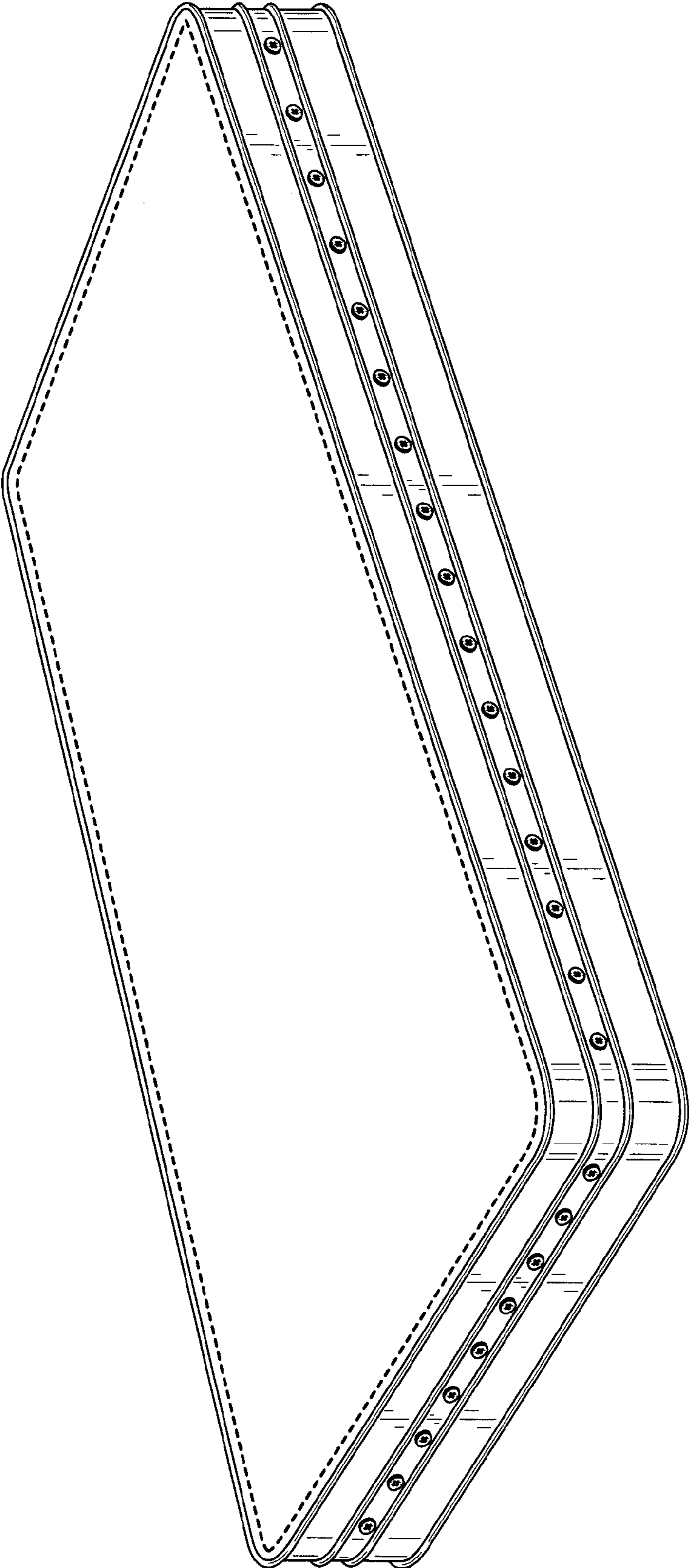


FIG. 1

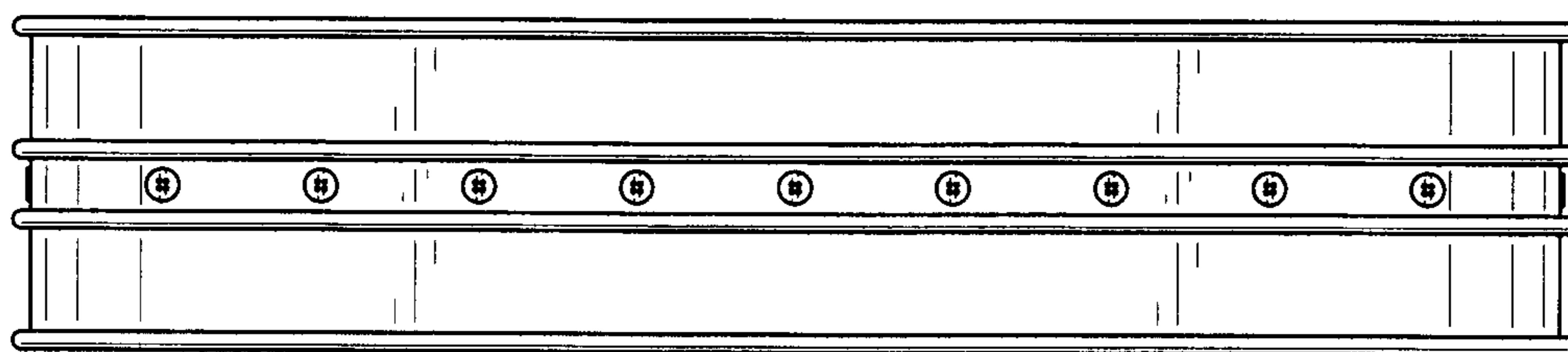


FIG. 2

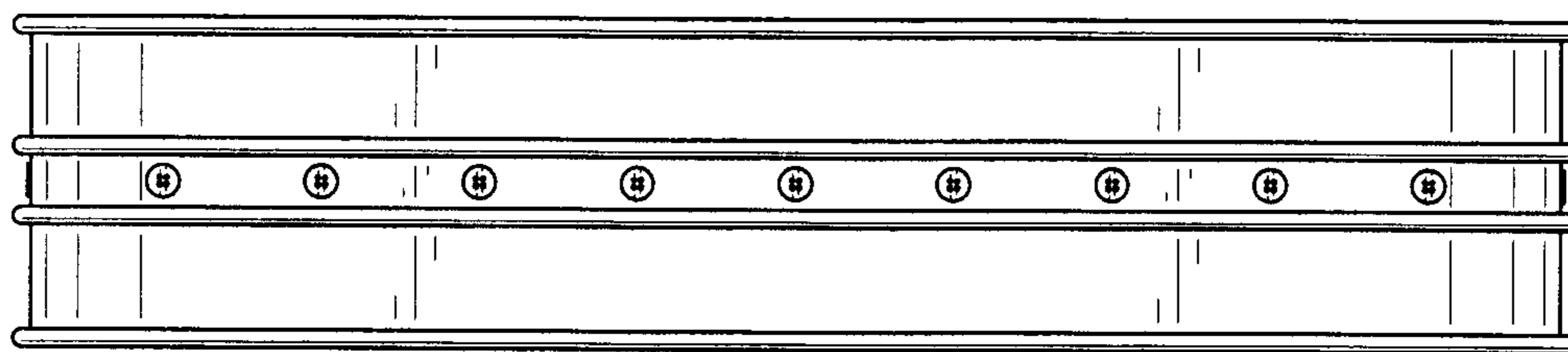


FIG. 3

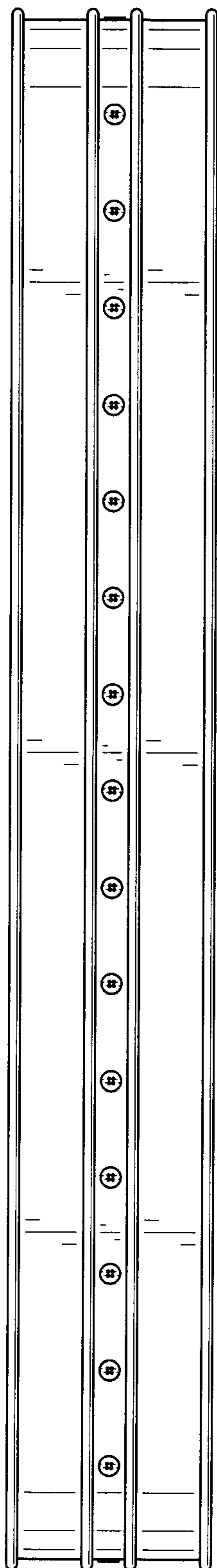


FIG. 4

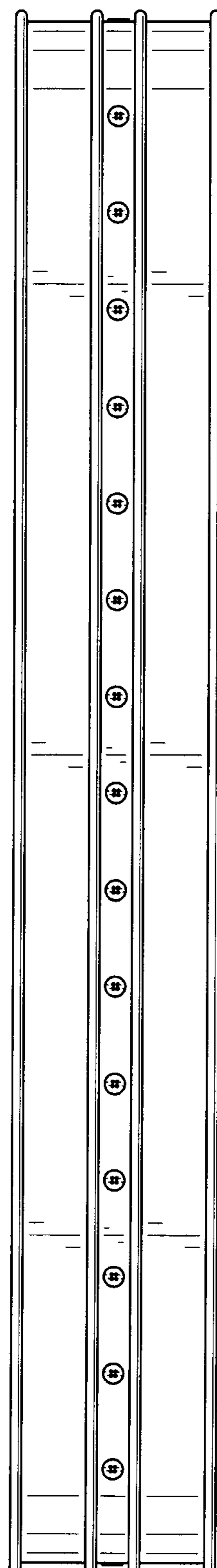


FIG. 5

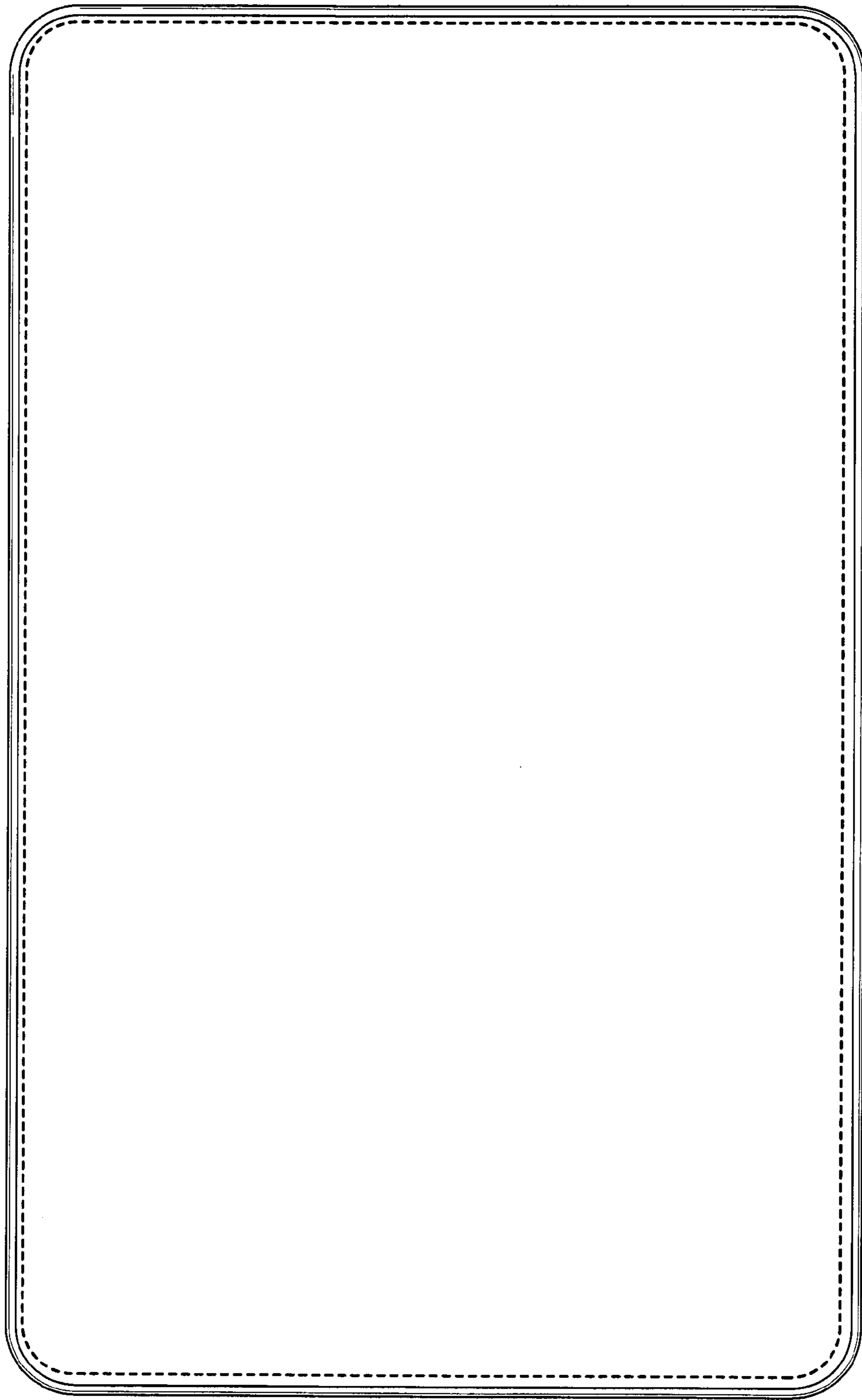


FIG. 6

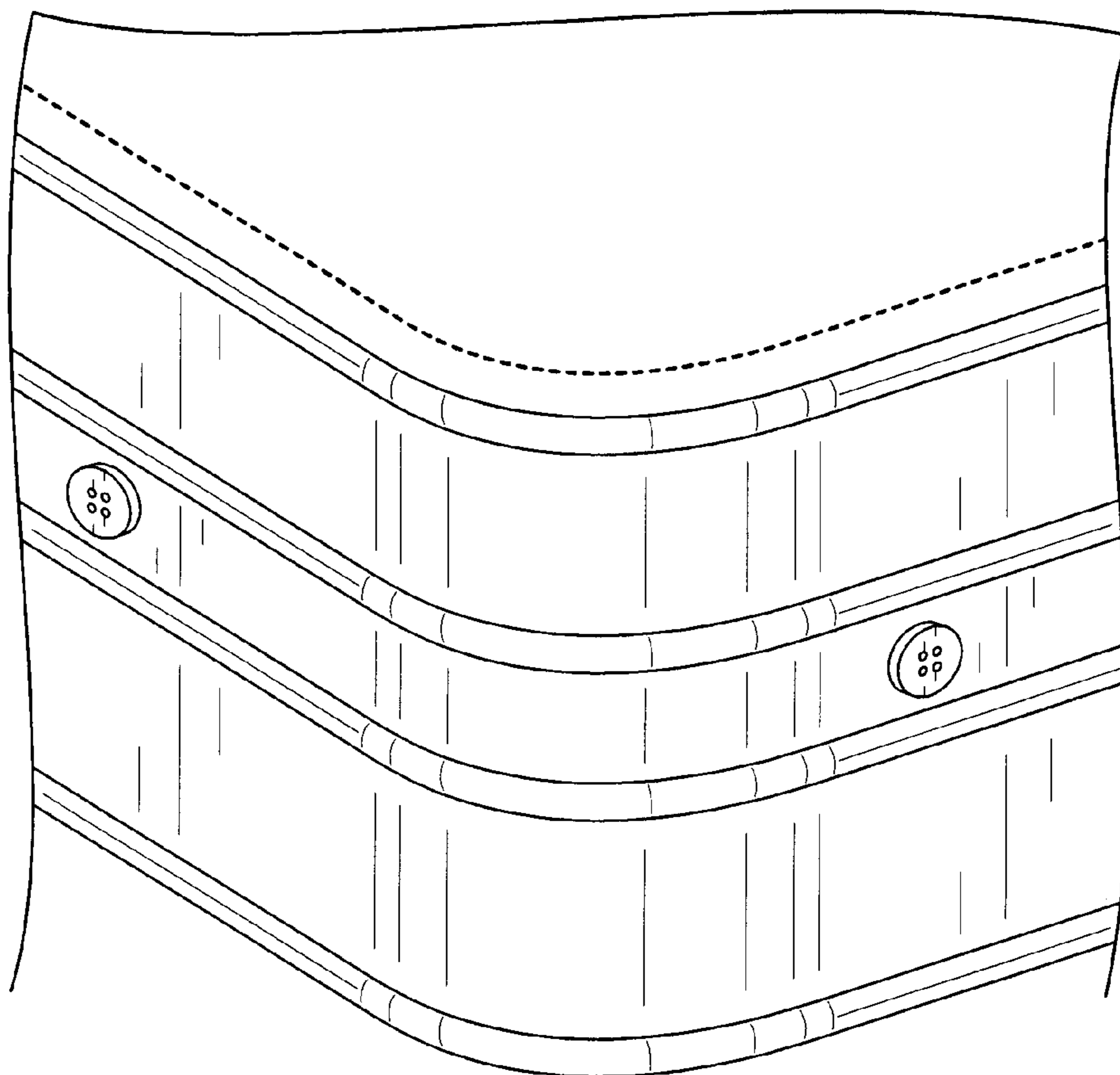


FIG. 7