



US00D687248S

(12) **United States Design Patent**
Huston et al.

(10) **Patent No.:** **US D687,248 S**

(45) **Date of Patent:** **** Aug. 6, 2013**

(54) **TELESCOPING RAIL**

(76) Inventors: **Fred M. Huston**, Orange, CA (US);
Keith Andrews, Costa Mesa, CA (US);
Debbie Andrews, Costa Mesa, CA (US)

(**) Term: **14 Years**

(21) Appl. No.: **29/428,384**

(22) Filed: **Jul. 30, 2012**

(51) **LOC (9) Cl.** **06-10**

(52) **U.S. Cl.**
USPC **D6/580**

(58) **Field of Classification Search**
USPC D6/575-581; D5/64, 66; D8/323,
D8/349, 353, 368, 369, 376, 377, 382;
160/84.01-84.08, 111, 115, 130, 168.1 R,
160/199, 331, 332
See application file for complete search history.

| | | | | | |
|--------------|------|---------|-------------------|-------|-----------|
| D440,444 | S * | 4/2001 | Sonnenberg et al. | | D6/580 |
| 6,648,046 | B1 | 11/2003 | Gibson | | |
| D486,340 | S * | 2/2004 | Sudano | | D6/577 |
| D489,209 | S * | 5/2004 | Goldberg | | D6/580 |
| D502,037 | S * | 2/2005 | Nien | | D6/580 |
| 7,174,944 | B1 * | 2/2007 | Clark et al. | | 160/197 |
| D541,094 | S * | 4/2007 | Yu et al. | | D6/580 |
| D542,067 | S * | 5/2007 | Watkins et al. | | D6/580 |
| D554,422 | S * | 11/2007 | Lin | | D6/580 |
| D567,002 | S * | 4/2008 | Allsopp | | D6/580 |
| 7,487,817 | B2 * | 2/2009 | Liang | | 160/170 |
| D600,484 | S * | 9/2009 | Anderson et al. | | D6/580 |
| D604,151 | S * | 11/2009 | Kollman et al. | | D8/376 |
| 7,740,045 | B2 * | 6/2010 | Anderson et al. | | 160/84.05 |
| 2007/0113989 | A1 | 5/2007 | Kuen | | |

* cited by examiner

Primary Examiner — Karen S Acker

(74) *Attorney, Agent, or Firm* — Greenberg Traurig

(57) **CLAIM**

The ornamental design for a telescoping rail, as shown and described.

DESCRIPTION

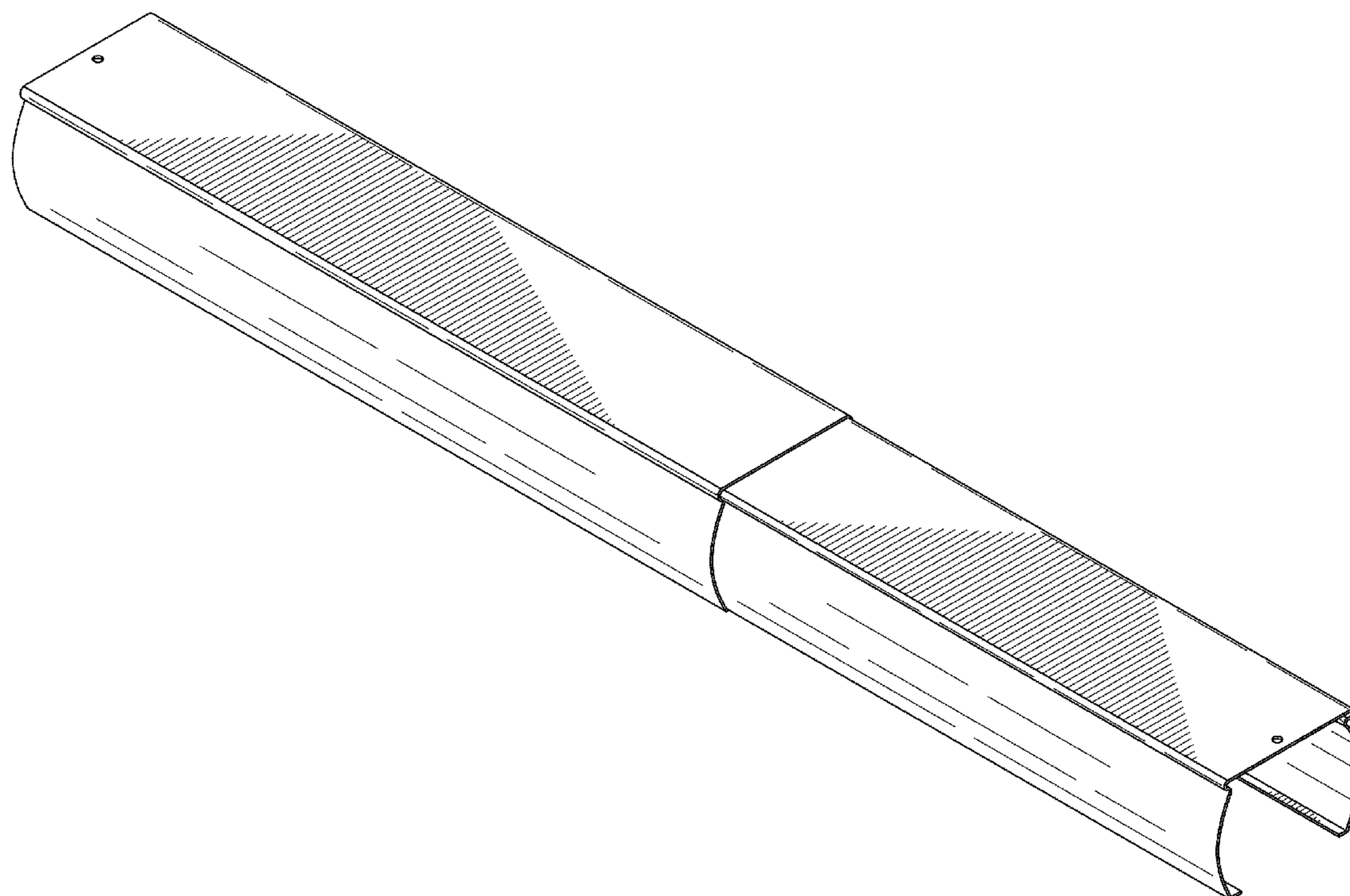
FIG. 1 is an upper perspective view of a telescoping rail;
FIG. 2 is an end view of the telescoping rail;
FIG. 3 is a first side view of the telescoping rail;
FIG. 4 is a top view of the telescoping rail;
FIG. 5 is a second side view of the telescoping rail; and,
FIG. 6 is a bottom view of the telescoping rail.

1 Claim, 4 Drawing Sheets

(56) **References Cited**

U.S. PATENT DOCUMENTS

| | | | | | |
|-----------|-----|---------|---------------|-------|-----------|
| 4,567,930 | A | 2/1986 | Fischer | | |
| 4,699,196 | A | 10/1987 | Elliott | | |
| 4,791,703 | A | 12/1988 | Chang | | |
| 4,936,370 | A | 6/1990 | Uecker et al. | | |
| D355,094 | S * | 2/1995 | Josephson | | D6/580 |
| D361,010 | S * | 8/1995 | Hebsgaard | | D6/580 |
| 5,848,633 | A * | 12/1998 | Chou | | 160/173 V |
| D439,461 | S * | 3/2001 | Brunell | | D6/580 |



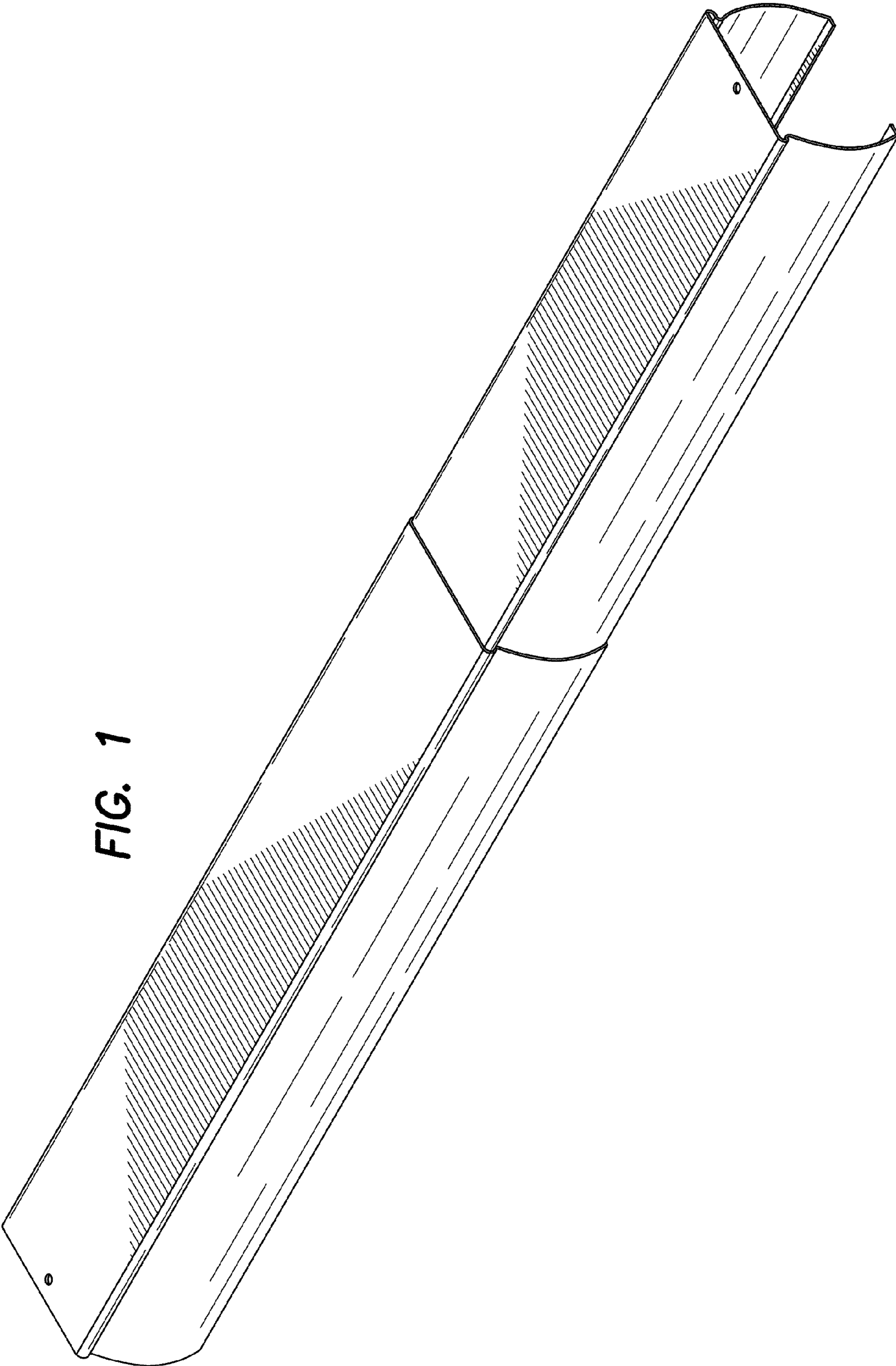


FIG. 1



FIG. 2

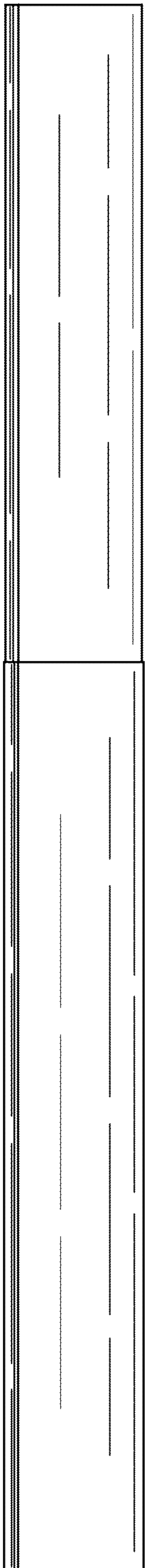


FIG. 3

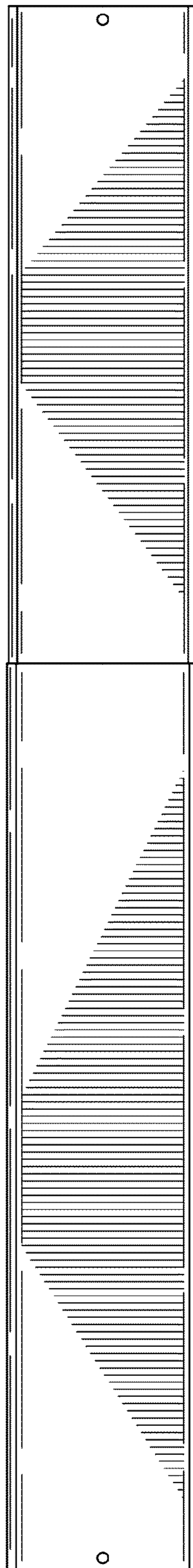


FIG. 4

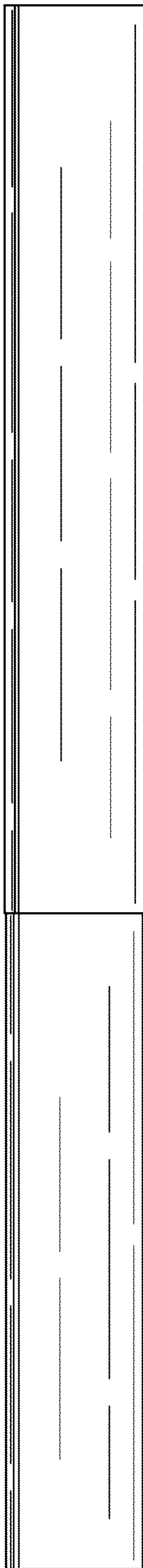


FIG. 5

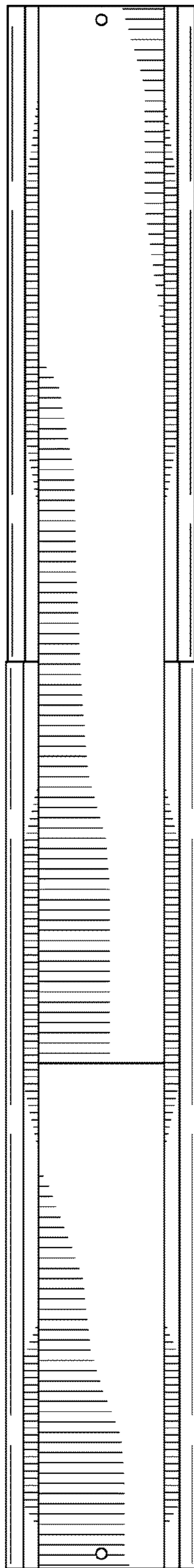


FIG. 6