



US00D687247S

(12) **United States Design Patent**  
**Meeks**

(10) **Patent No.:** **US D687,247 S**  
(45) **Date of Patent:** **\*\* Aug. 6, 2013**

- (54) **RACK FOR AN OBJECT SUCH AS A GUN, BOW OR TOOL**
- (76) Inventor: **Paul Meeks**, Tallulah, LA (US)
- (\*\*) Term: **14 Years**
- (21) Appl. No.: **29/413,615**
- (22) Filed: **Feb. 17, 2012**
- (51) **LOC (9) Cl.** ..... **08-08**
- (52) **U.S. Cl.**  
USPC ..... **D6/552**
- (58) **Field of Classification Search**  
USPC ..... D6/552; D21/573; 248/96; 211/13.1,  
211/64; 224/483, 539, 566, 568, 571; 280/13,  
280/652; D8/330-331  
See application file for complete search history.

5,887,730	A	3/1999	St. George	
5,934,112	A	8/1999	Rice et al.	
6,279,799	B1	8/2001	Horton	
6,302,052	B1	10/2001	Sauerwein	
6,360,931	B1	3/2002	Morford	
6,450,378	B1	9/2002	Miller	
6,540,092	B2	4/2003	Sirois	
6,742,687	B2	6/2004	Morford	
6,837,934	B1	1/2005	Patrykus	
6,843,395	B1	1/2005	Martin et al.	
D533,743	S *	12/2006	Eastman	D6/552
D551,005	S *	9/2007	Walterscheid	D6/552
D571,636	S *	6/2008	Phillips et al.	D8/331
D624,342	S *	9/2010	Coneal	D6/552
D661,150	S *	6/2012	Cardenas	D6/552
2006/0113341	A1	6/2006	Murray et al.	
2009/0159540	A1	6/2009	Meeks	

(56) **References Cited**

**U.S. PATENT DOCUMENTS**

2,535,564	A	12/1950	Campbell
2,797,033	A	6/1957	Rasbach
2,823,808	A	2/1958	Ednen
2,982,579	A	5/1961	Greenwald
2,998,279	A	8/1961	Henry
3,167,182	A	1/1965	Calvin
3,252,637	A	5/1966	Hart
3,261,521	A	7/1966	Meccico et al.
3,282,484	A	11/1966	Jerore
3,294,247	A	12/1966	Norrington
3,618,785	A	11/1971	Newman
3,643,811	A	2/1972	Howerton
4,058,221	A	11/1977	Elkins et al.
4,682,720	A	7/1987	Lucas
4,696,405	A	9/1987	Waring
4,776,471	A	10/1988	Elkins
4,986,427	A	1/1991	Law et al.
4,991,723	A	2/1991	Elkins
4,995,537	A	2/1991	Thedieck
5,078,279	A	1/1992	Hancock et al.
5,078,309	A	1/1992	Hull et al.
5,249,722	A	10/1993	Horn
5,344,032	A	9/1994	Ramsdell
5,524,772	A	6/1996	Simmons
5,595,333	A	1/1997	Boston
5,676,257	A	10/1997	Adkins
5,697,181	A	12/1997	Savant
5,816,546	A	10/1998	Miller
5,878,929	A	3/1999	Leonard

**OTHER PUBLICATIONS**  
Great Day Inc., Products Catalog 2007, pp. 5, 12, 14 and 15.  
Office Action mailed Mar. 9, 2010, by the USPTO, regarding U.S. Appl. No. 11/963,224.

\* cited by examiner

*Primary Examiner* — Brian N Vinson  
(74) *Attorney, Agent, or Firm* — Haynes and Boone, LLP

(57) **CLAIM**  
The ornamental design for a rack for an object such as a gun, bow or tool, as shown and described.

**DESCRIPTION**

FIG. 1 is a front elevational view of a rack for an object such as a gun, bow or tool, showing my new design, the rack comprising a member to which two U-shaped brackets and two straps are connected, and a threaded rod telescopingly engaged with the member at the right end thereof as viewed in FIG. 1; wherein as shown in FIG. 1 the straps are removably connected to the U-shaped brackets, respectively; and wherein the rear view of the rack is a mirror image of the view shown in FIG. 1;  
FIG. 2 is an enlarged fragmentary front elevational view of a portion thereof, indicated in FIG. 1;  
FIG. 3 is an enlarged fragmentary front elevational view of a portion thereof, indicated in FIG. 1;

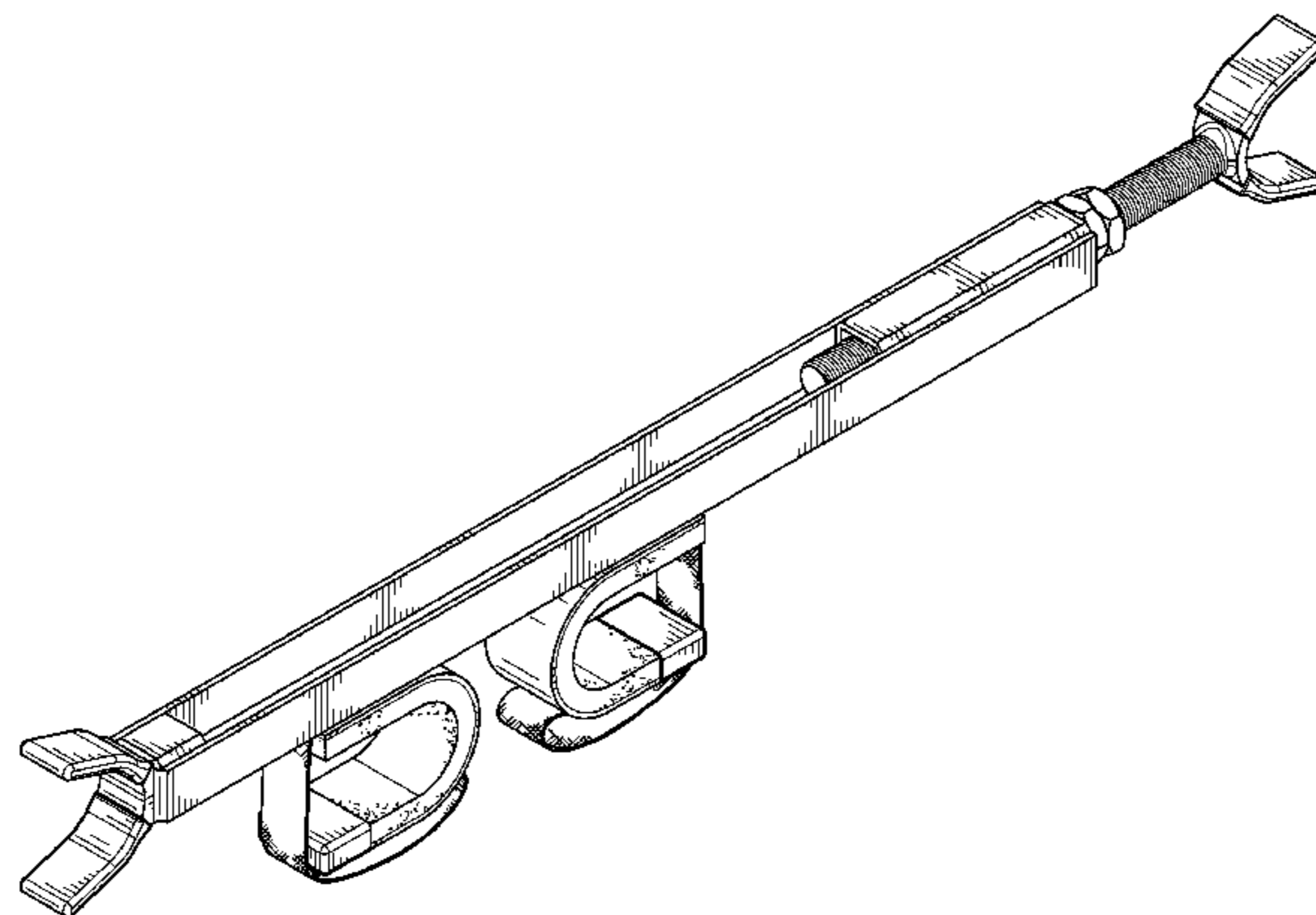


FIG. 4 is an enlarged fragmentary front elevational view of a portion thereof, indicated in FIG. 1;  
FIG. 5 is an enlarged fragmentary front elevational view of a portion thereof, indicated in FIG. 1;  
FIG. 6 is an enlarged fragmentary front elevational view of a portion thereof, indicated in FIG. 1;  
FIG. 7 is a bottom plan view thereof;  
FIG. 8 is an enlarged fragmentary bottom plan view of a portion thereof, indicated in FIG. 7;  
FIG. 9 is an enlarged fragmentary bottom plan view of a portion thereof, indicated in FIG. 7;  
FIG. 10 is an enlarged fragmentary bottom plan view of a portion thereof, indicated in FIG. 7;  
FIG. 11 is an enlarged fragmentary bottom plan view of a portion thereof, indicated in FIG. 7;  
FIG. 12 is a bottom plan view thereof;  
FIG. 13 is an enlarged fragmentary bottom plan view of a portion thereof, indicated in FIG. 12;  
FIG. 14 is an enlarged fragmentary bottom plan view of a portion thereof, indicated in FIG. 12;  
FIG. 15 is an enlarged fragmentary bottom plan view of a portion thereof, indicated in FIG. 12;

FIG. 16 is an enlarged fragmentary bottom plan view of a portion thereof, indicated in FIG. 12;  
FIG. 17 is an enlarged fragmentary bottom plan view of a portion thereof, indicated in FIG. 12;  
FIG. 18 is an enlarged left side elevational view thereof;  
FIG. 19 is an enlarged right side elevational view thereof;  
FIG. 20 is an enlarged fragmentary bottom, front, and left side perspective view thereof;  
FIG. 21 is an additional enlarged fragmentary bottom, front, and left side perspective view thereof;  
FIG. 22 is a top, front, and left side perspective view thereof;  
FIG. 23 is an enlarged fragmentary bottom, front, and right side perspective view thereof;  
FIG. 24 is an enlarged fragmentary front elevational view thereof, similar to that of FIG. 3, but depicting the straps disconnected from the U-shaped brackets;  
FIG. 25 is an additional bottom plan view thereof, depicting the threaded rod in another position relative to the member; and,  
FIG. 26 is an additional bottom plan view thereof, depicting the threaded rod in yet another position relative to the member.

**1 Claim, 18 Drawing Sheets**

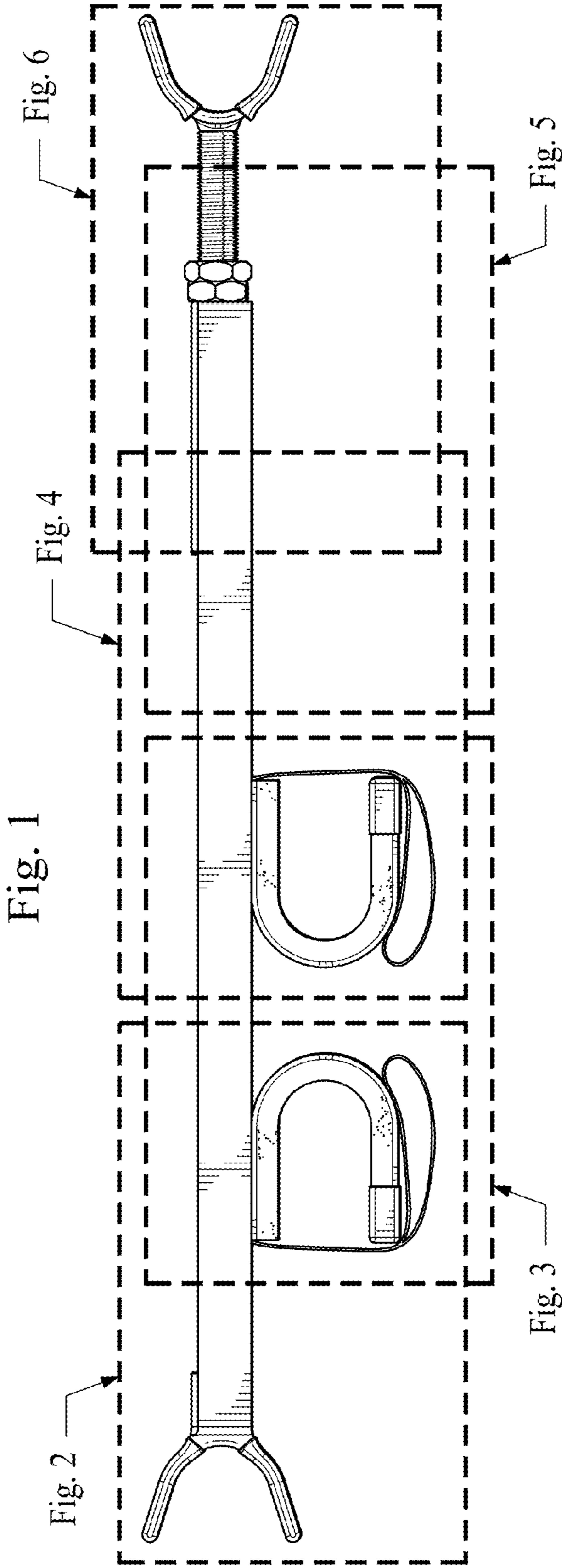
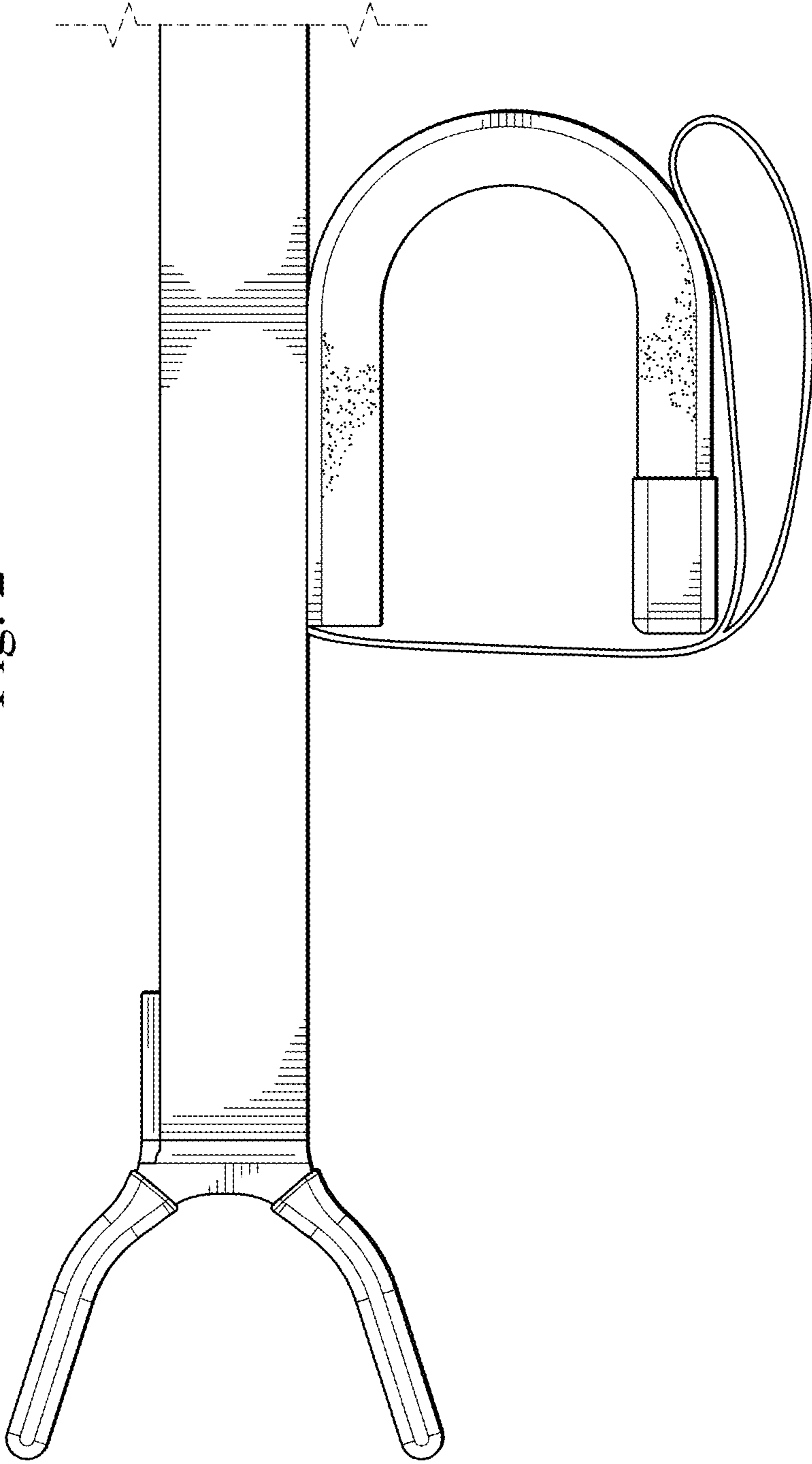
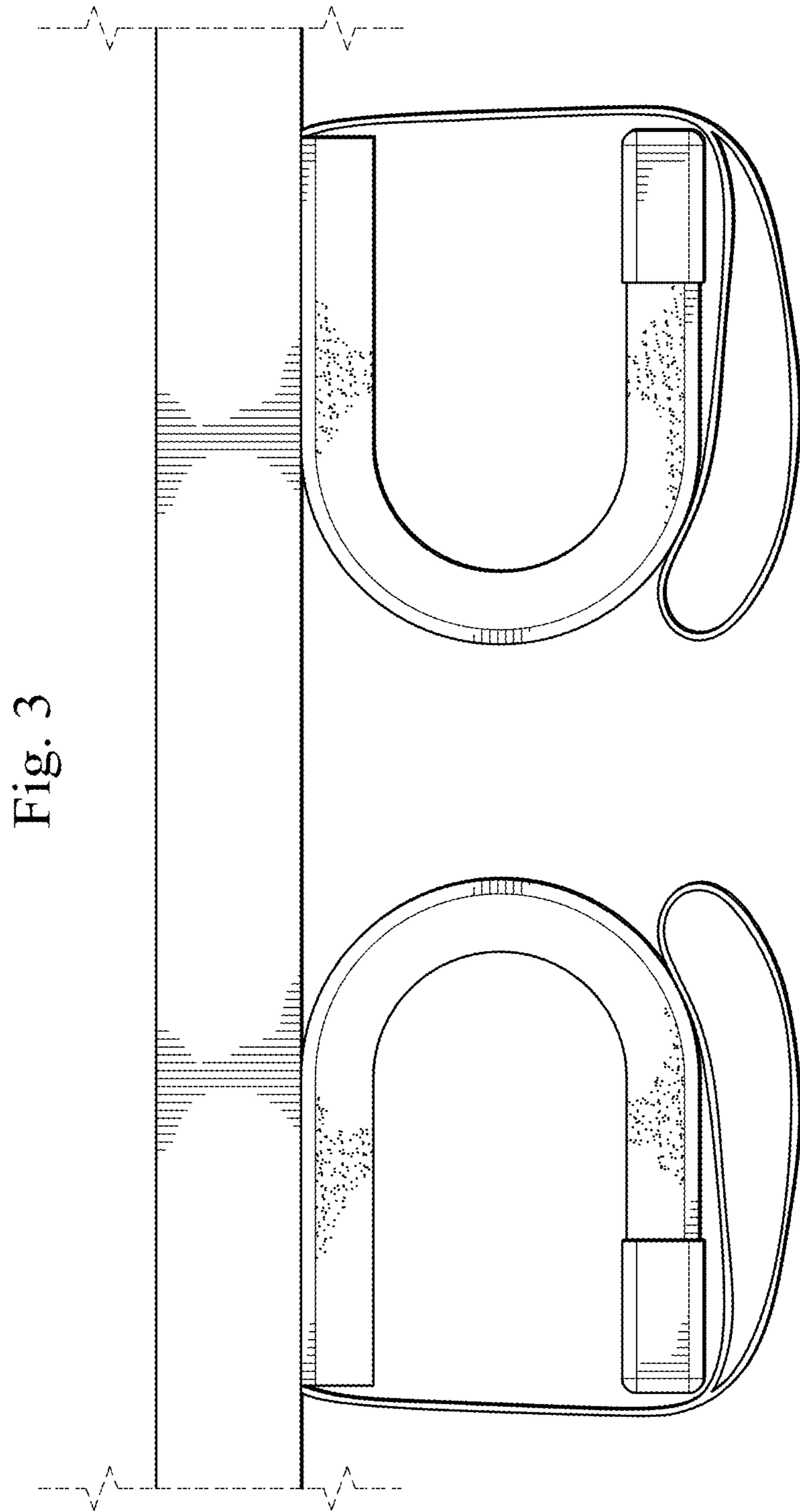


Fig. 2





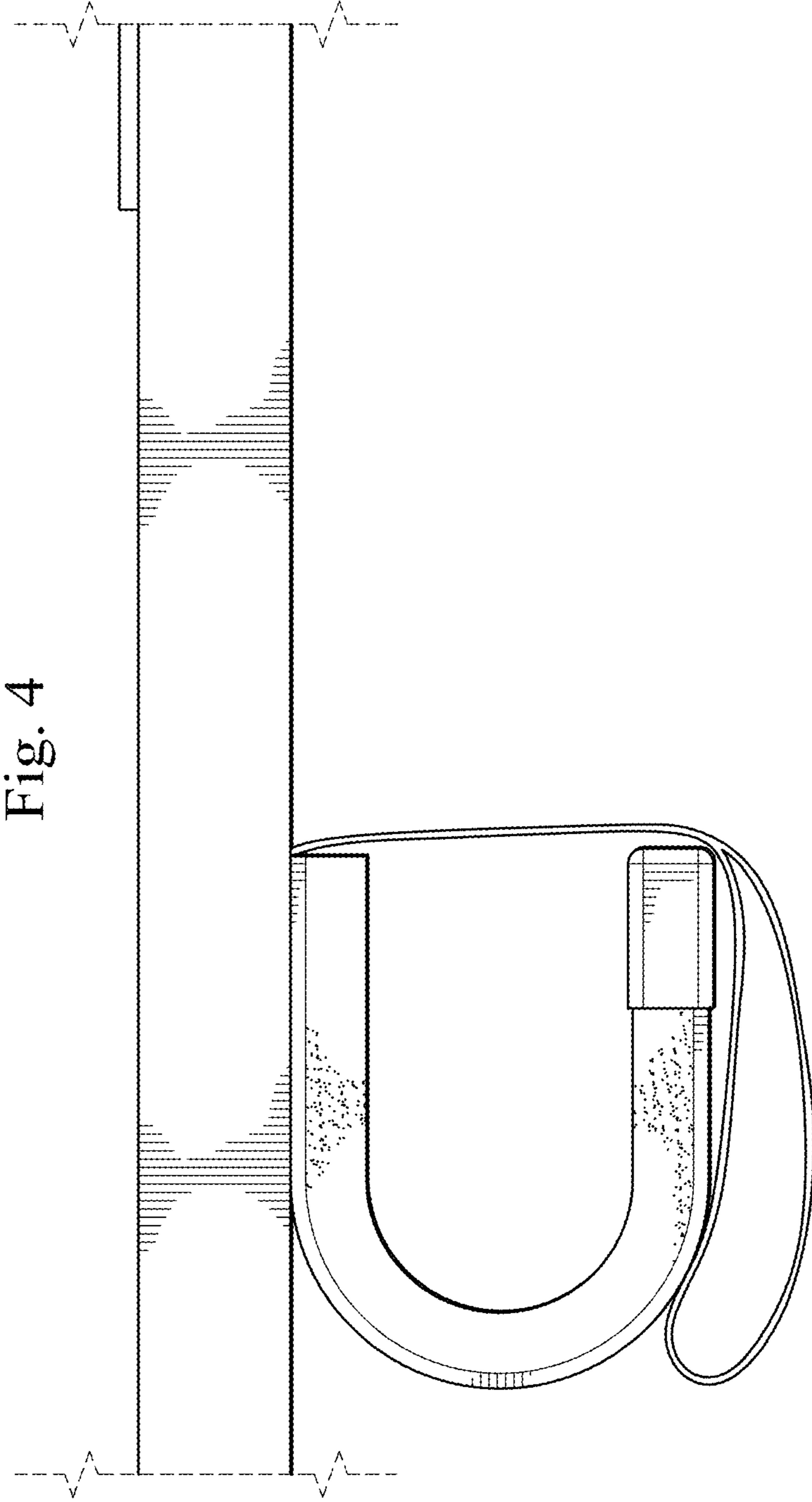


Fig. 4

Fig. 5

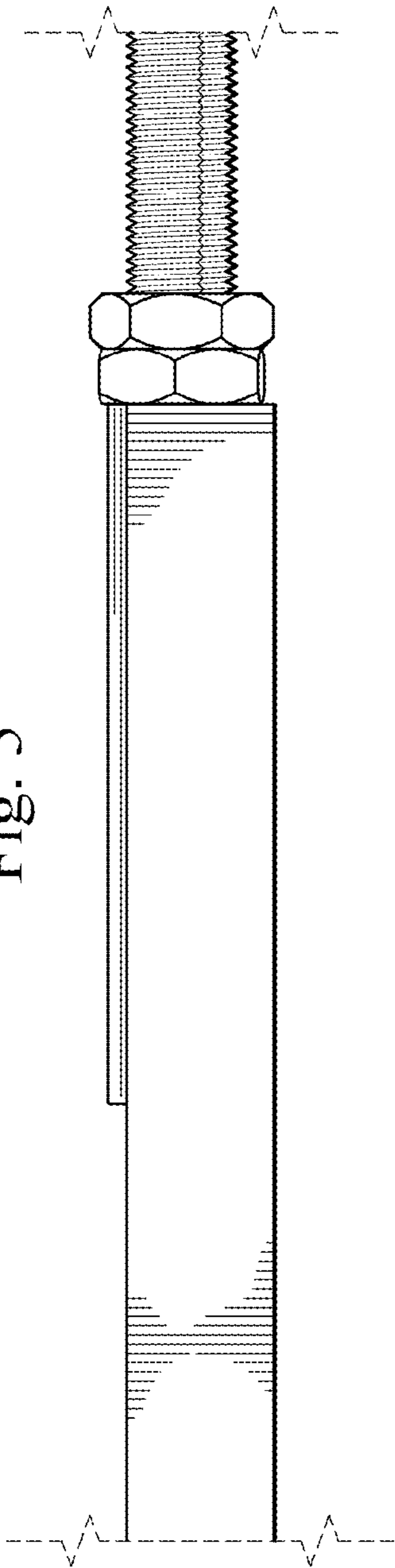
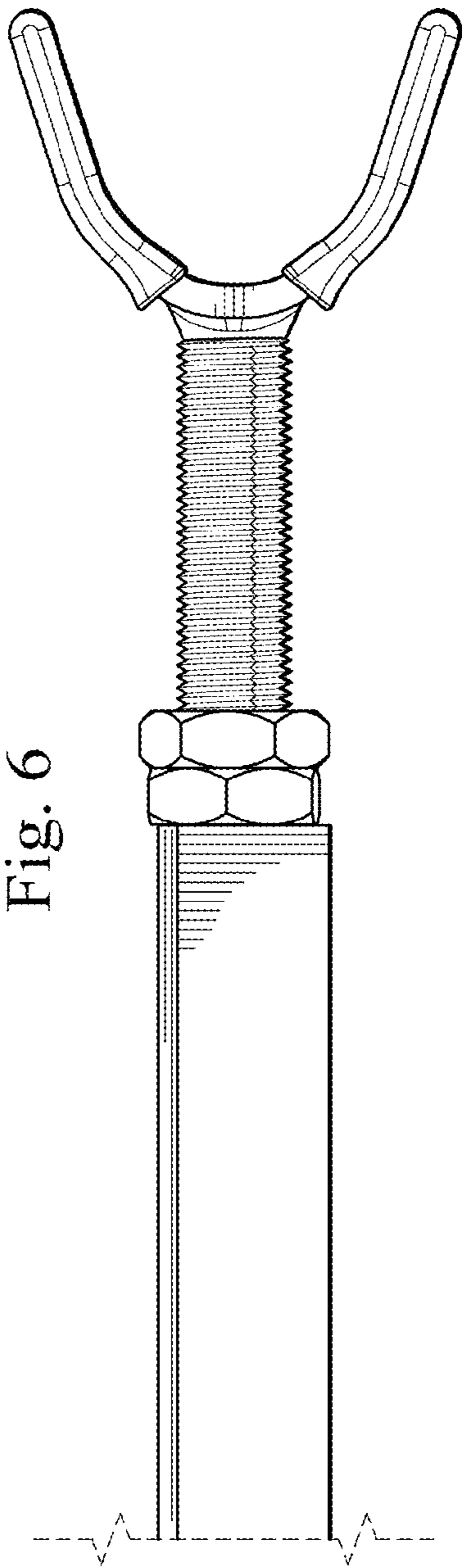
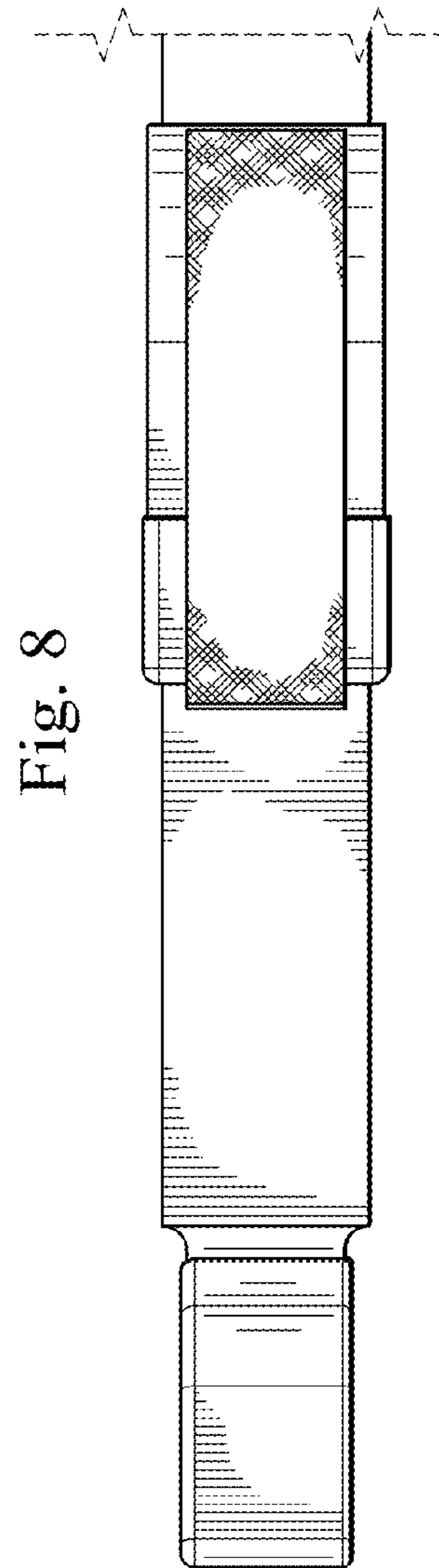
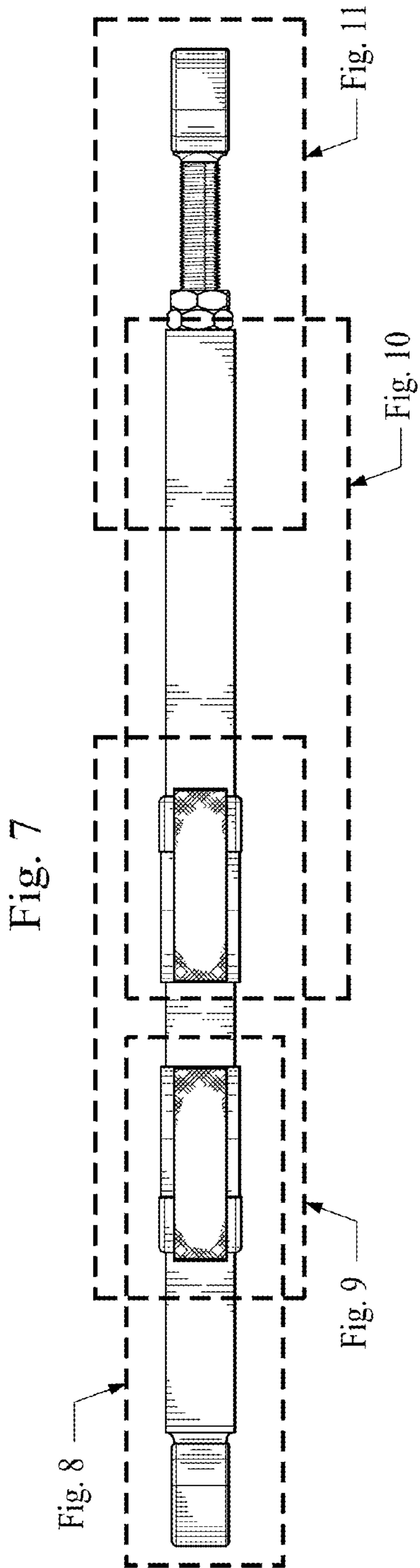
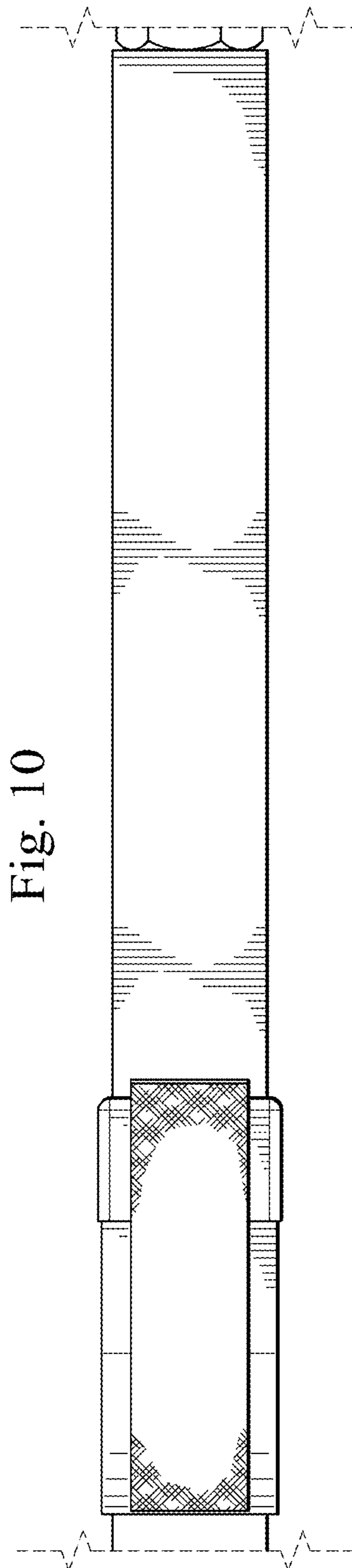
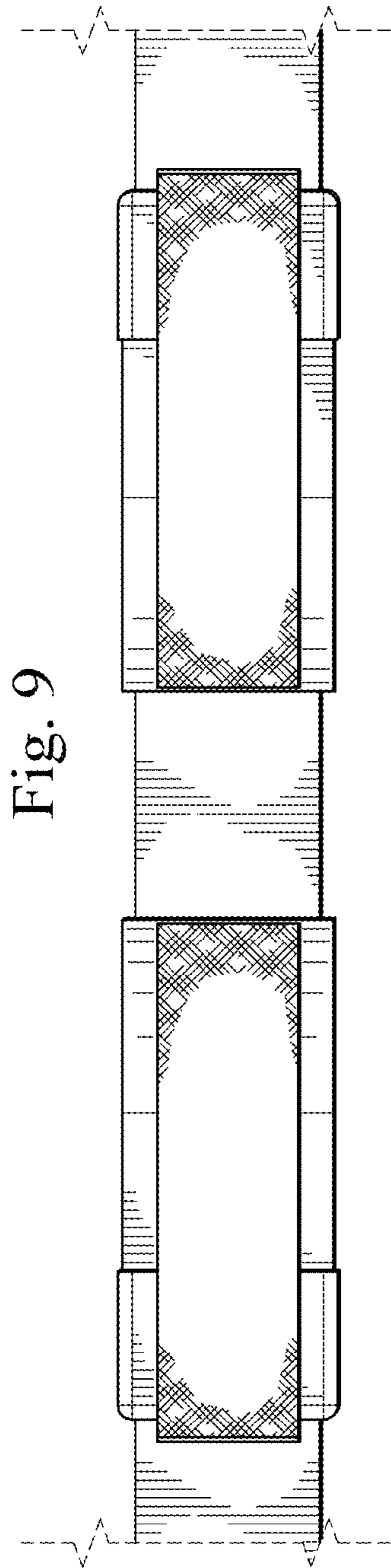


Fig. 6









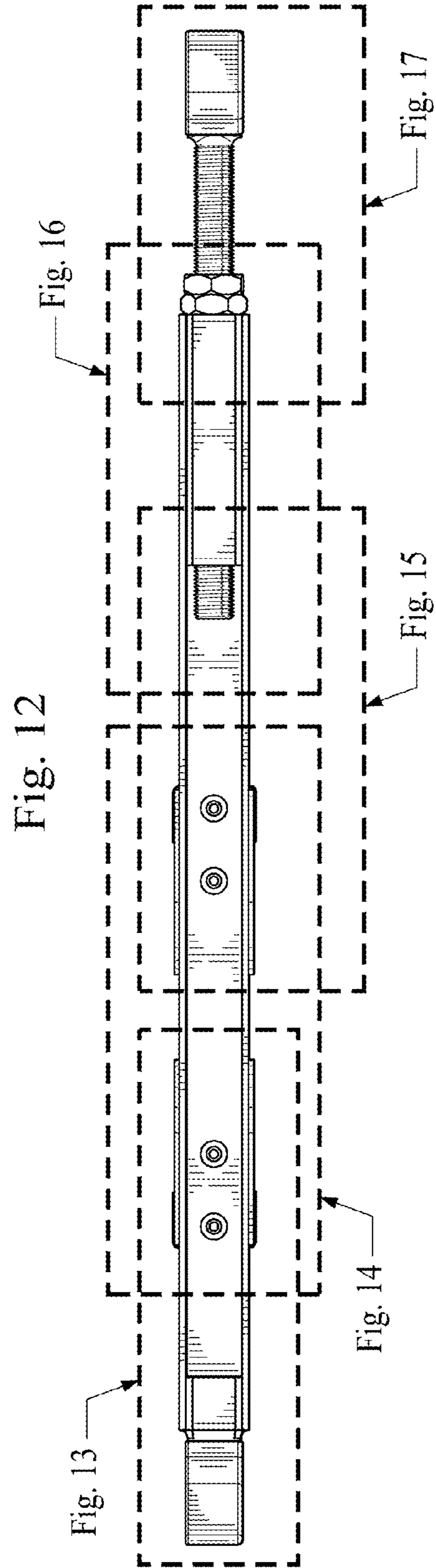
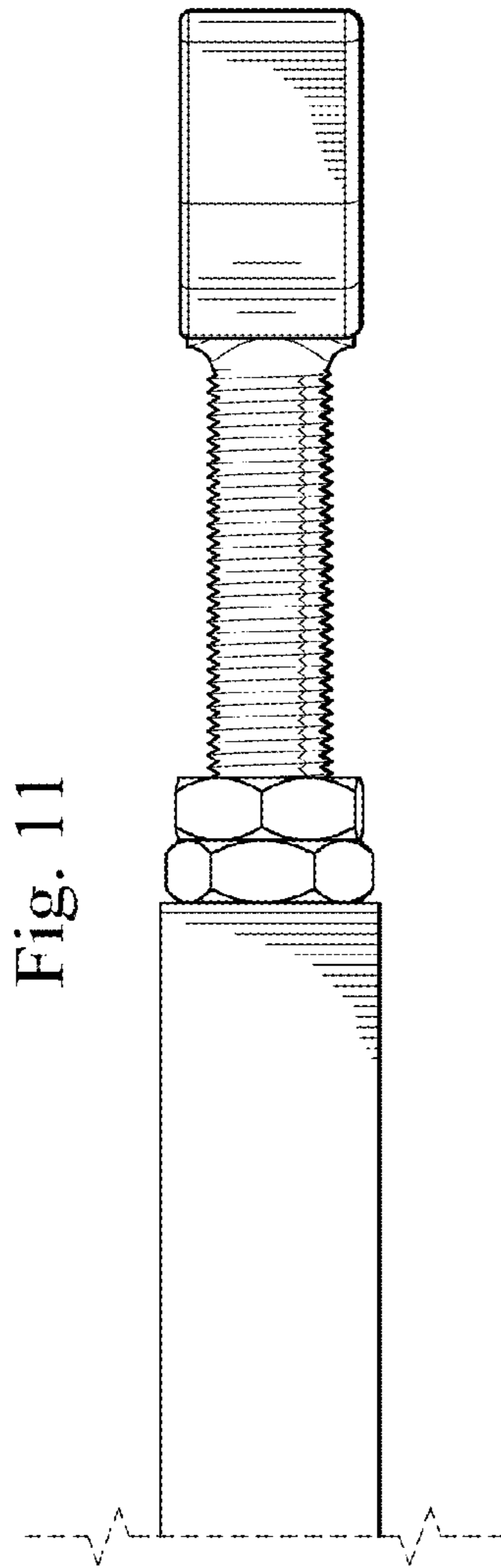


Fig. 13

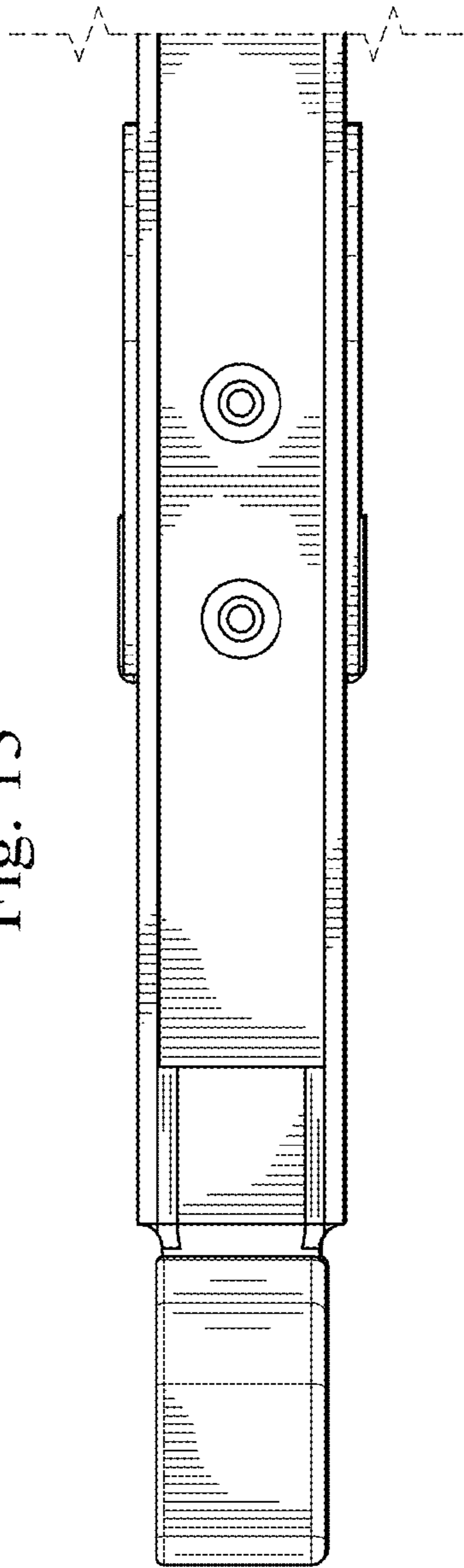


Fig. 14

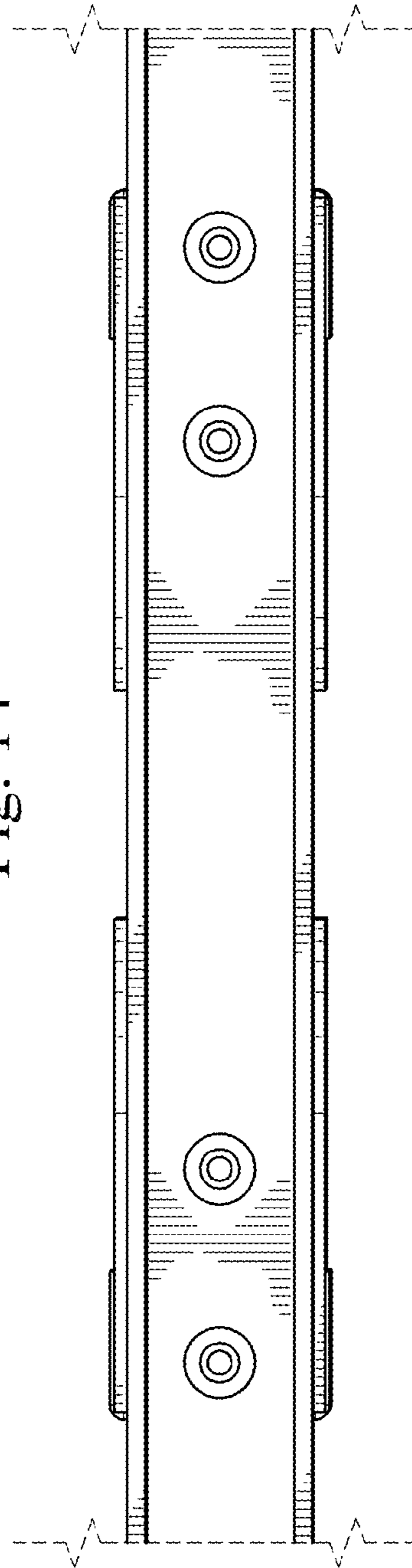


Fig. 15

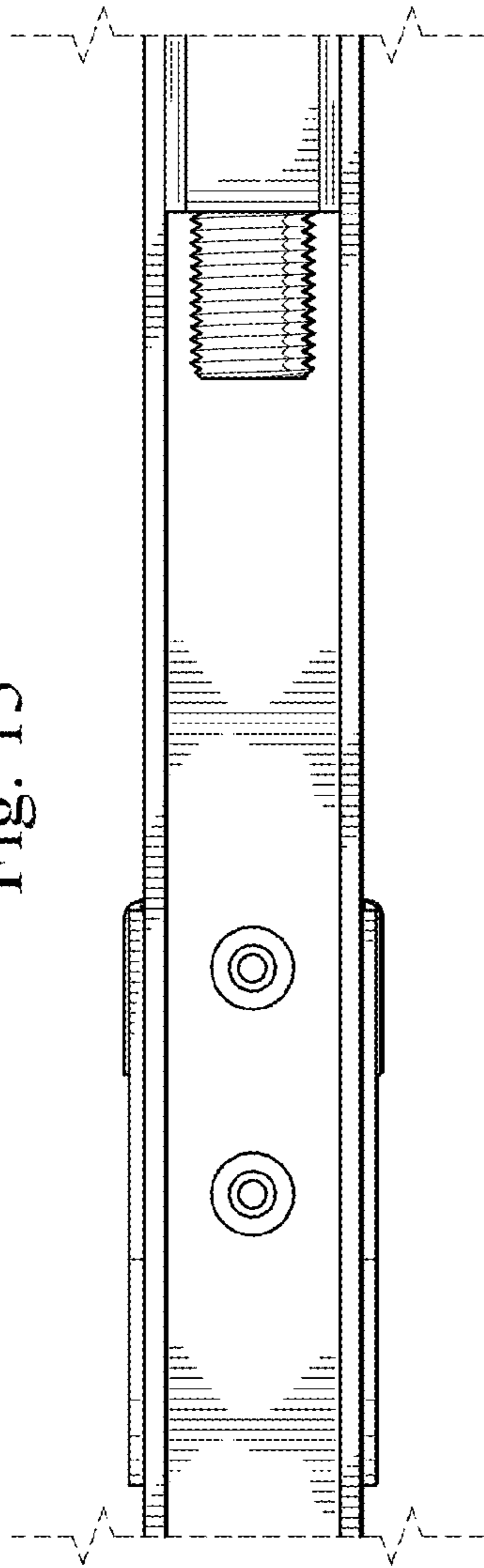


Fig. 16

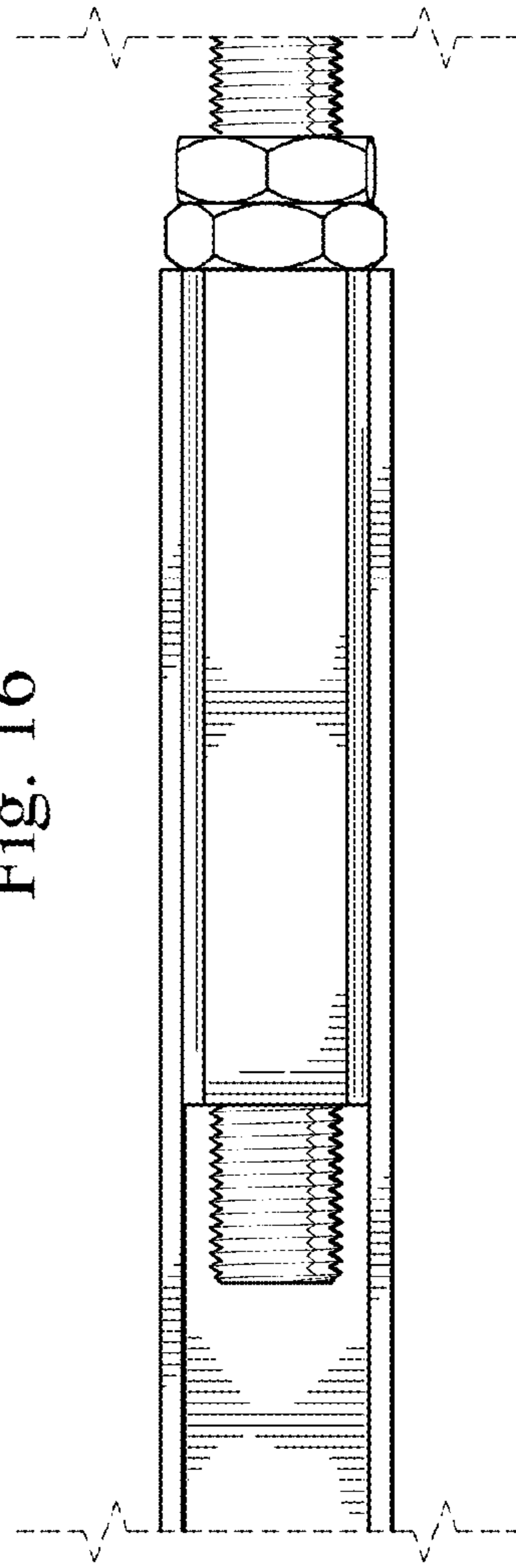


Fig. 17

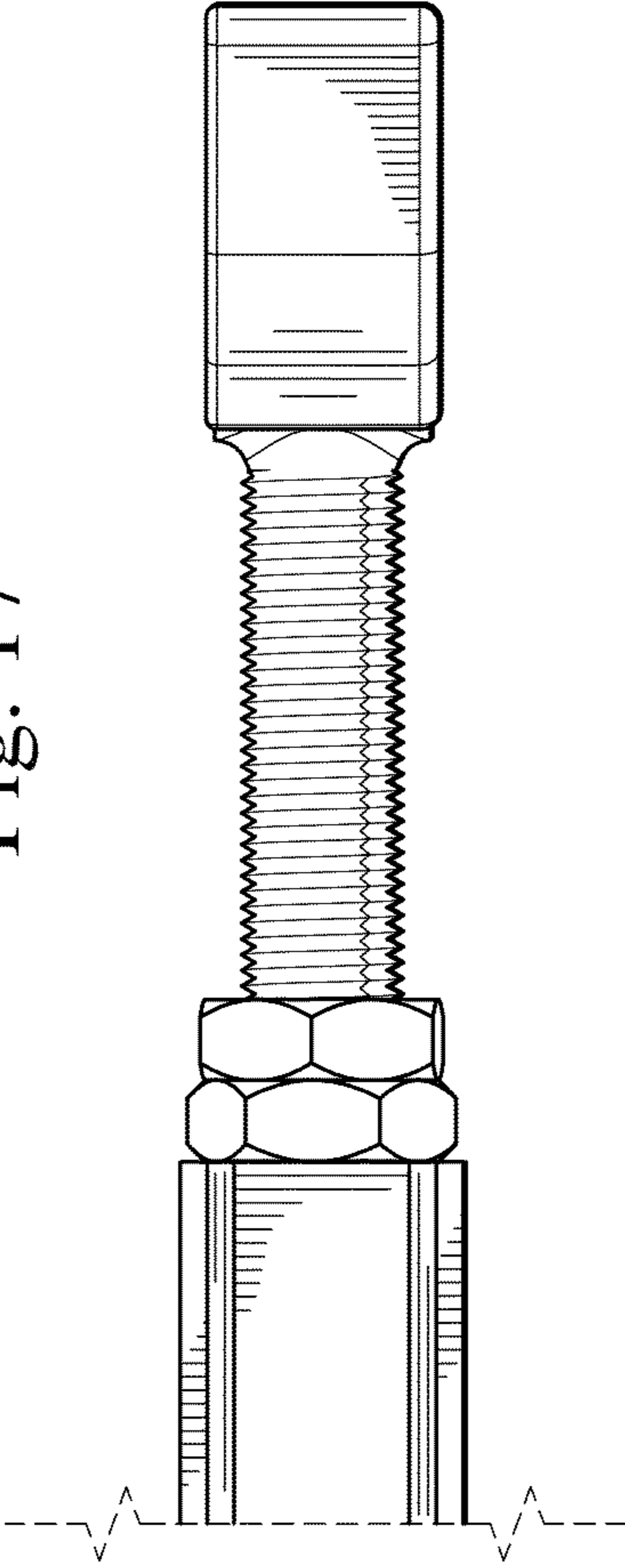


Fig. 19

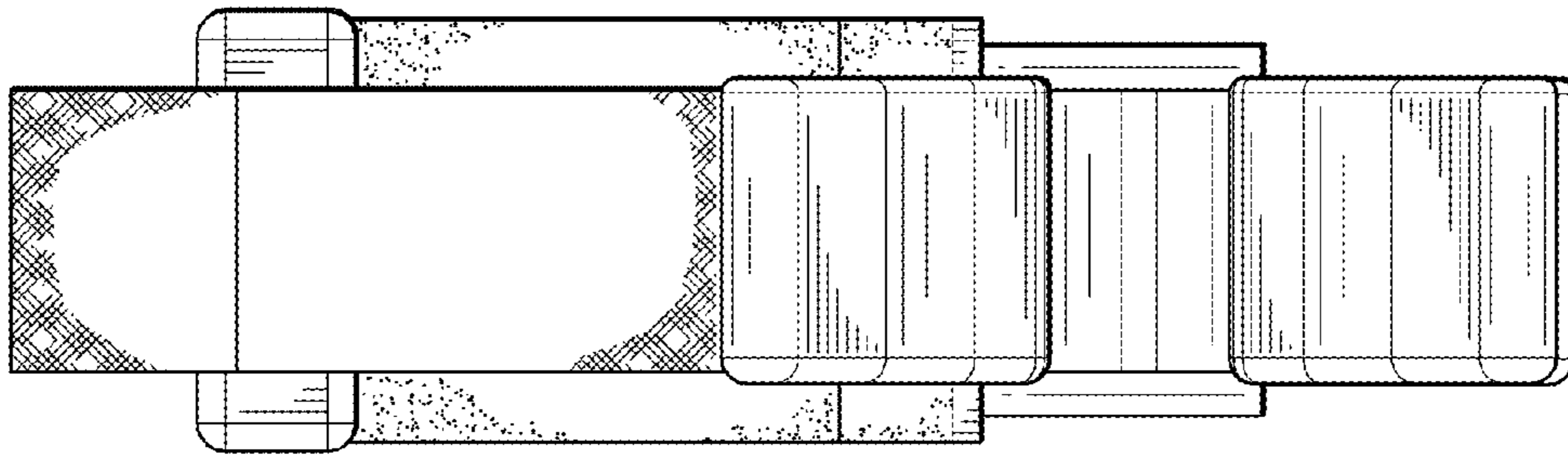
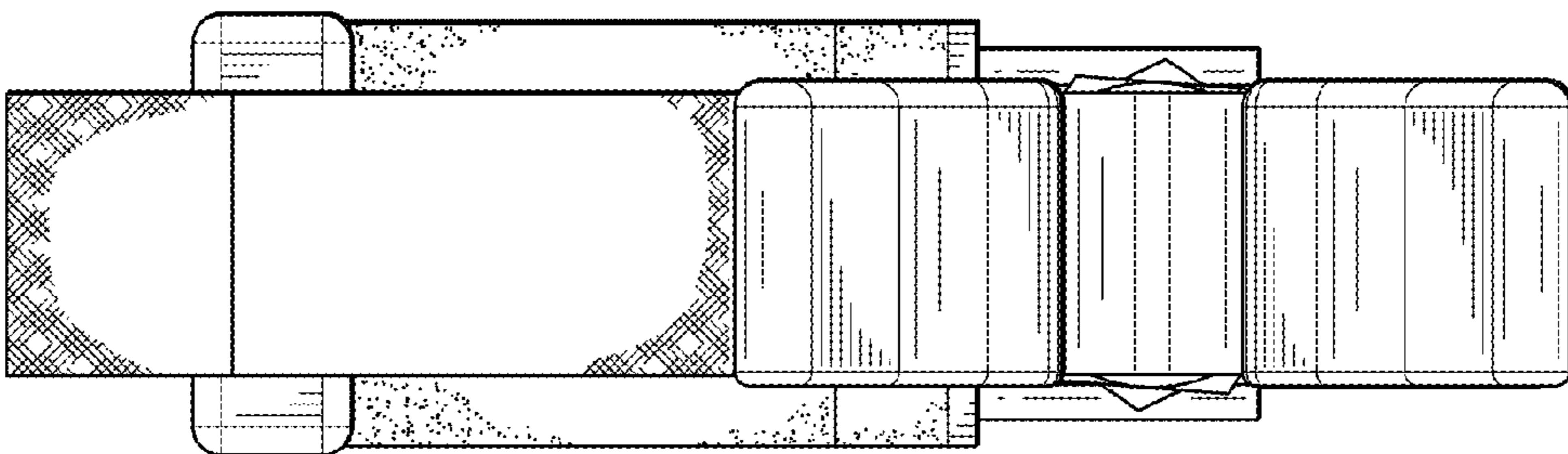


Fig. 18



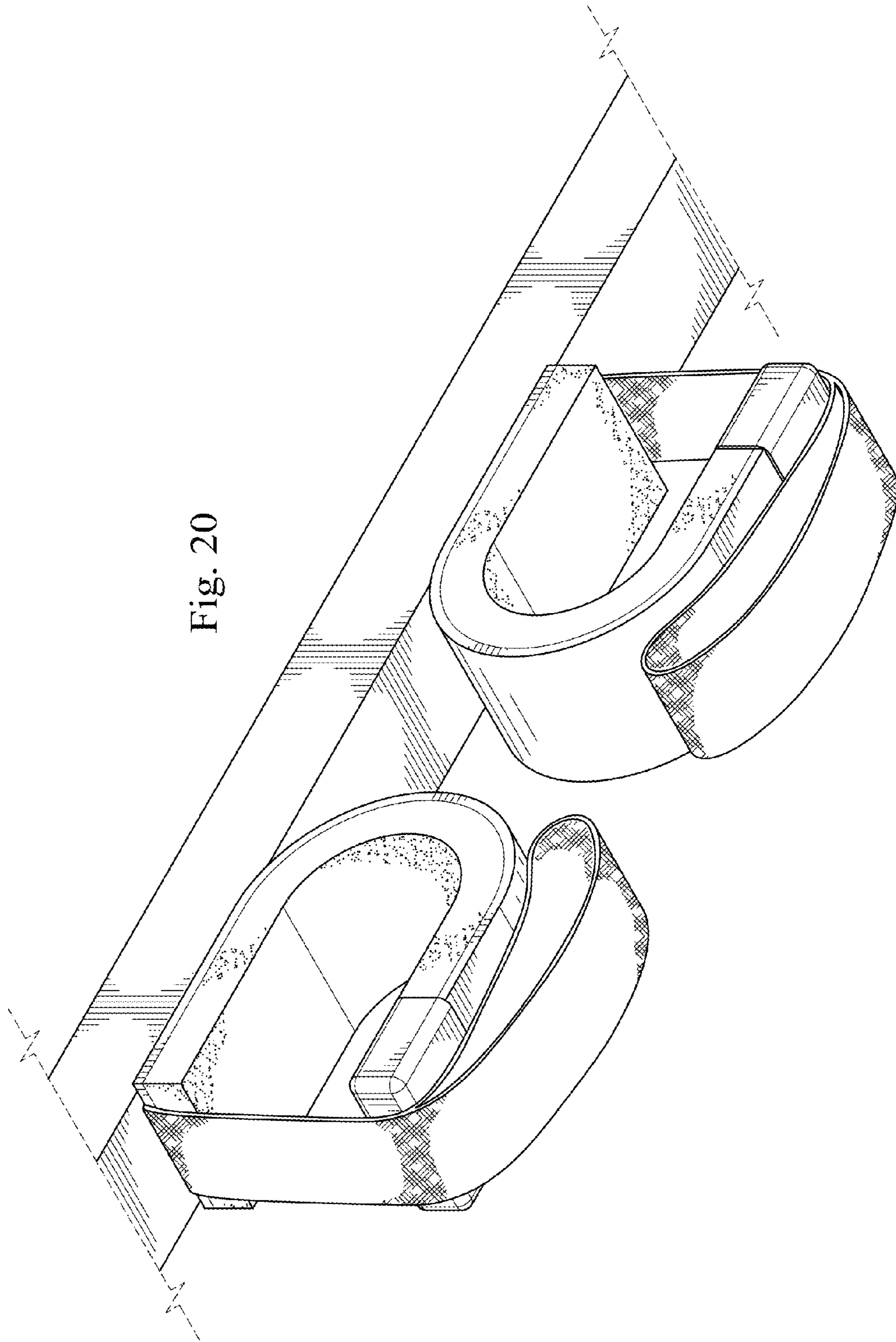
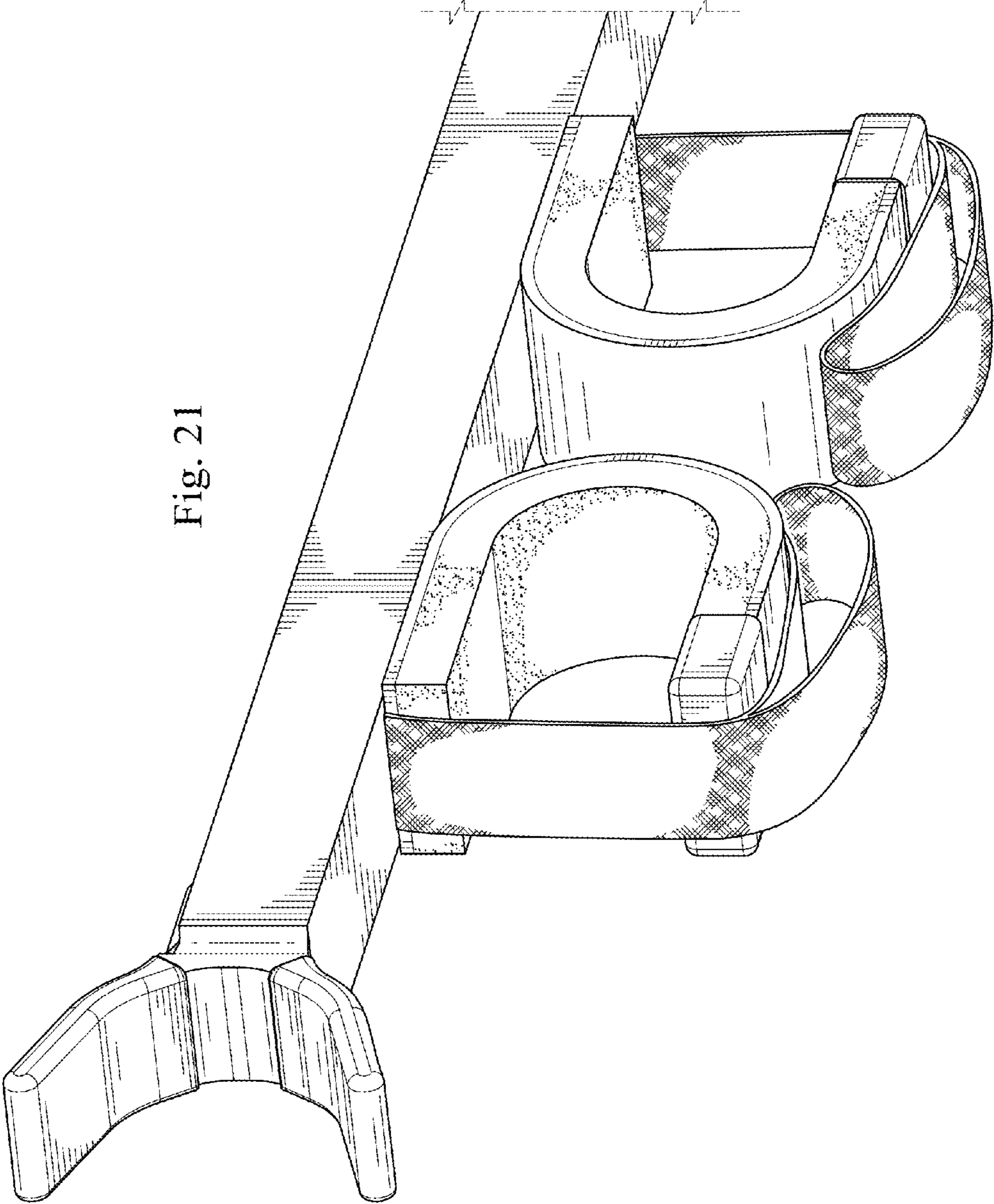


Fig. 20

Fig. 21





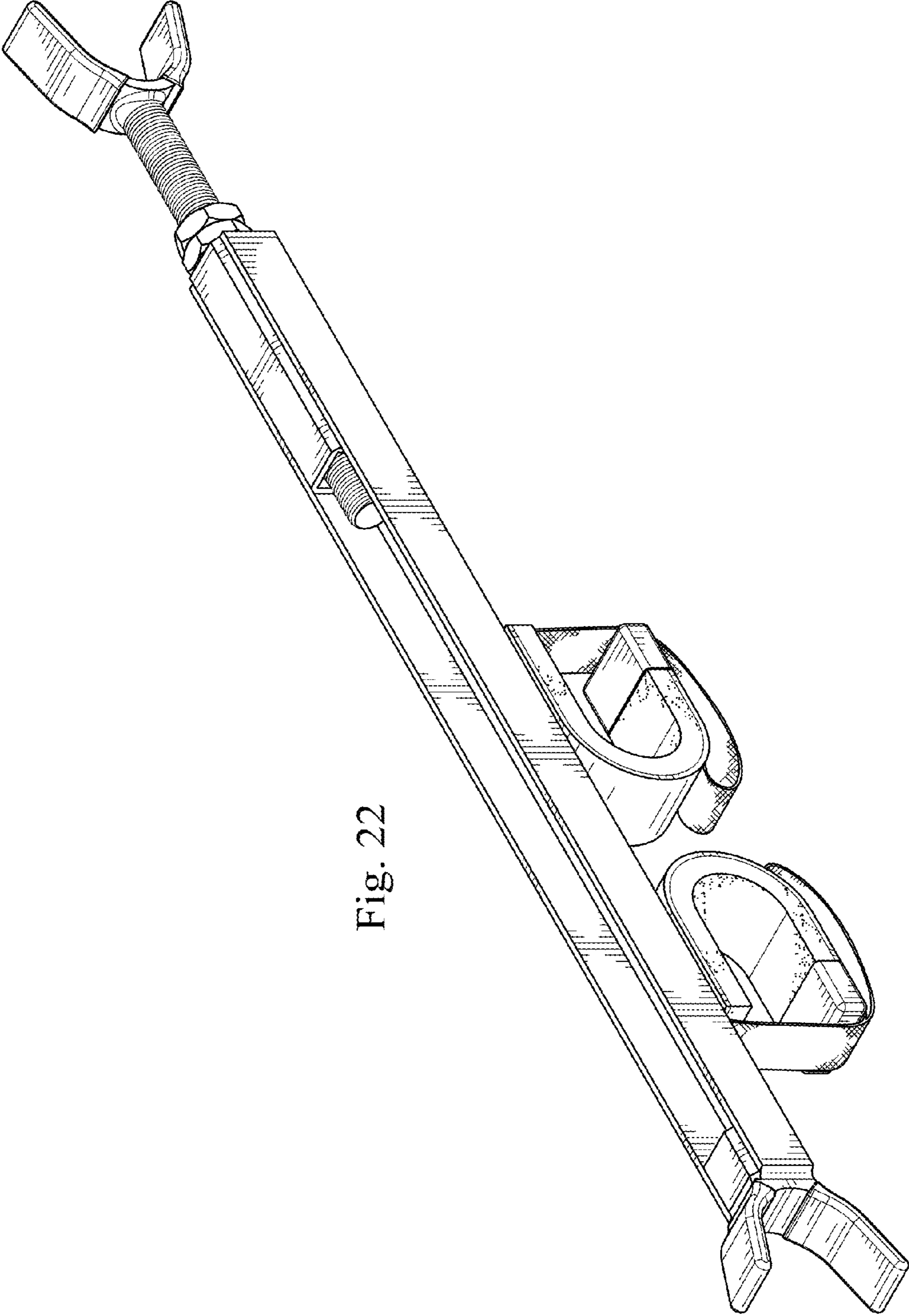


Fig. 22

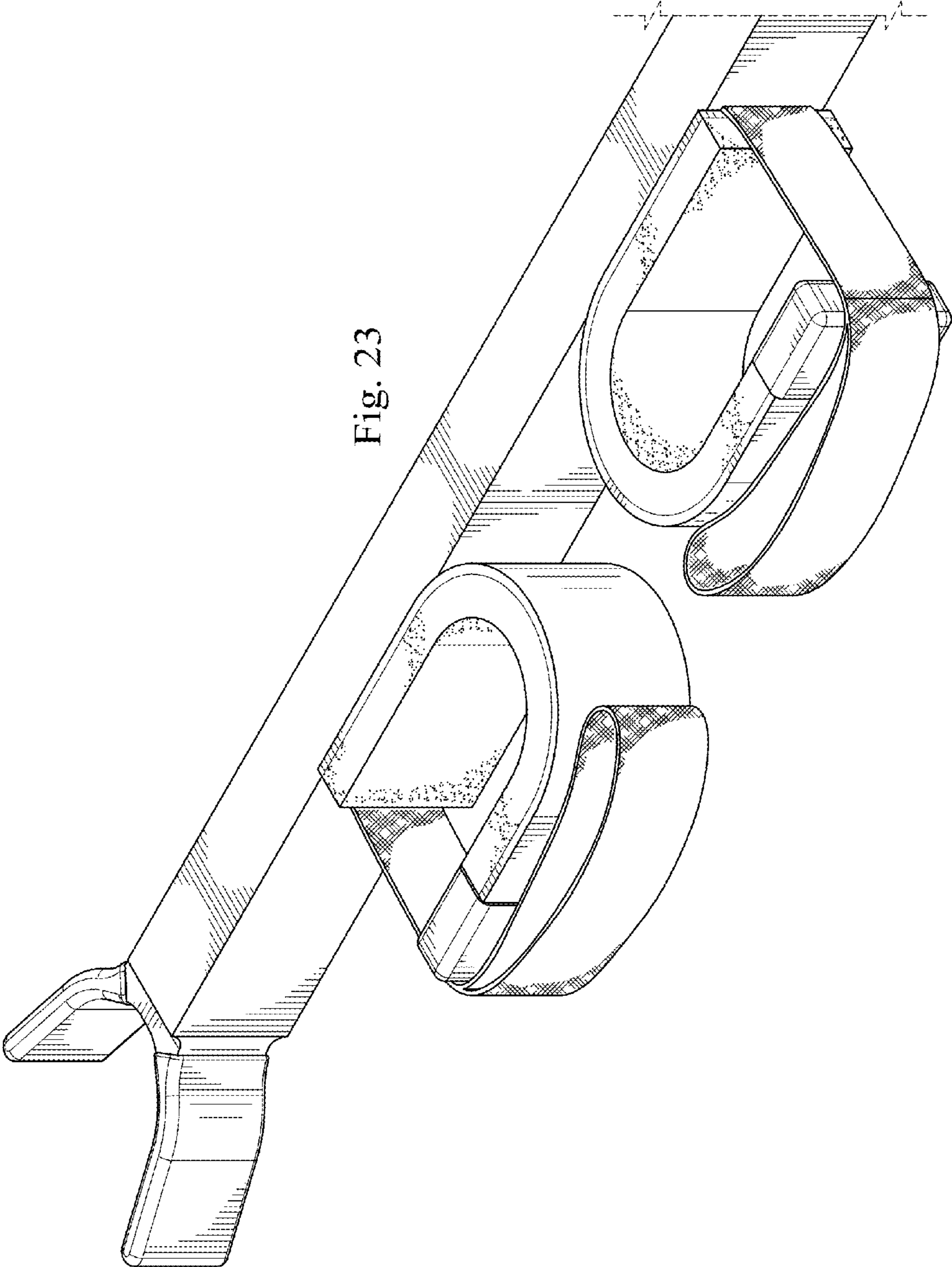


Fig. 23

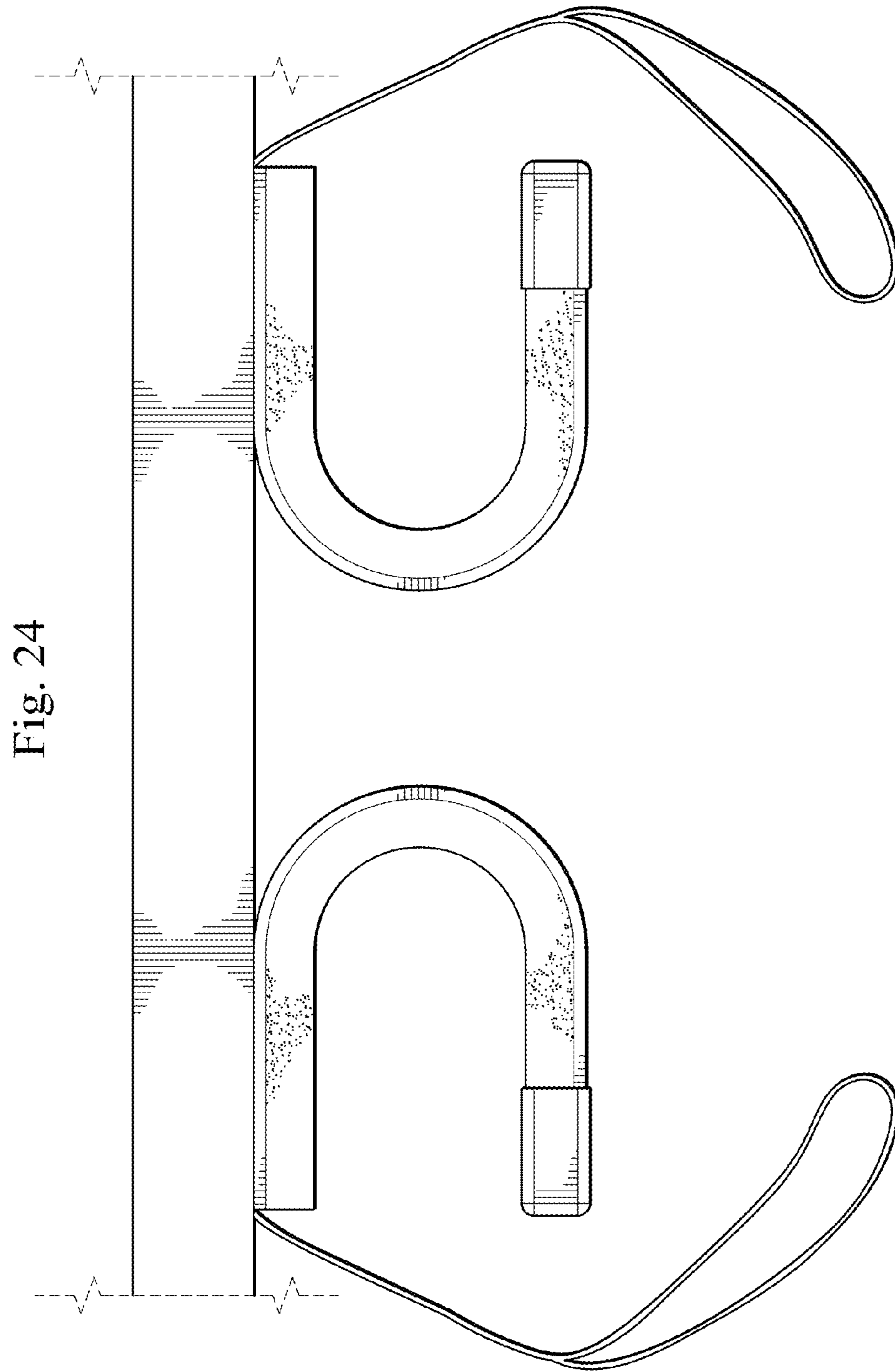


Fig. 24

Fig. 25

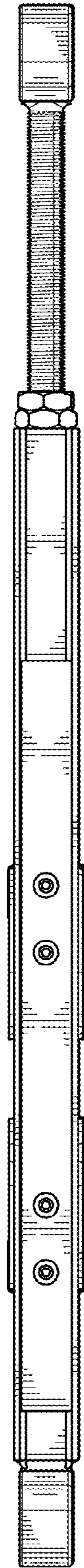
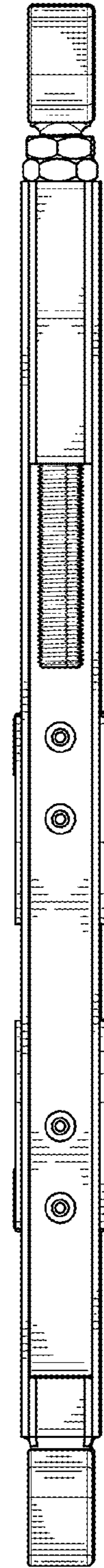


Fig. 26



UNITED STATES PATENT AND TRADEMARK OFFICE  
**CERTIFICATE OF CORRECTION**

PATENT NO. : D687,247 S  
APPLICATION NO. : 29/413615  
DATED : August 6, 2013  
INVENTOR(S) : Paul Meeks

Page 1 of 1

It is certified that error appears in the above-identified patent and that said Letters Patent is hereby corrected as shown below:

On Title page 2, col. 2 change:

“FIG. 23 is an enlarged fragmenatary bottom, front, and right side perspective view thereof;” to  
-- FIG. 23 is an enlarged fragmentary bottom, front, and right side perspective view thereof; --

Signed and Sealed this  
First Day of October, 2013



Teresa Stanek Rea  
*Deputy Director of the United States Patent and Trademark Office*