



US00D687246S

(12) **United States Design Patent**  
**Rodriguez**

(10) **Patent No.:** **US D687,246 S**

(45) **Date of Patent:** **\*\* Aug. 6, 2013**

(54) **TOOTH BRUSH CADDY**

(75) Inventor: **Rosa Grant Rodriguez**, North  
Lauderdale, FL (US)

(73) Assignee: **Rosa Grant Rodriguez**, North  
Lauderdale, FL (US)

(\*\*) Term: **14 Years**

(21) Appl. No.: **29/410,766**

(22) Filed: **Feb. 23, 2012**

(51) **LOC (9) Cl.** ..... **23-02**

(52) **U.S. Cl.**  
USPC ..... **D6/534; D6/528**

(58) **Field of Classification Search**  
USPC ..... D6/524, 526, 527, 528, 534; 206/208,  
206/228, 209, 209.1, 361, 362, 362.1, 362.2,  
206/362.3; 211/13.1, 66, 70.6, 86.01, 87.01;  
D7/701, 635, 637

See application file for complete search history.

(56) **References Cited**

**U.S. PATENT DOCUMENTS**

4,219,035 A \* 8/1980 Deconinck ..... D6/525  
D293,532 S \* 1/1988 Sussman ..... D6/531

D301,097 S \* 5/1989 Morris ..... D6/528  
D356,227 S \* 3/1995 Hay ..... D6/528  
D424,342 S \* 5/2000 Pasquale ..... D6/519

\* cited by examiner

*Primary Examiner* — Brian N Vinson

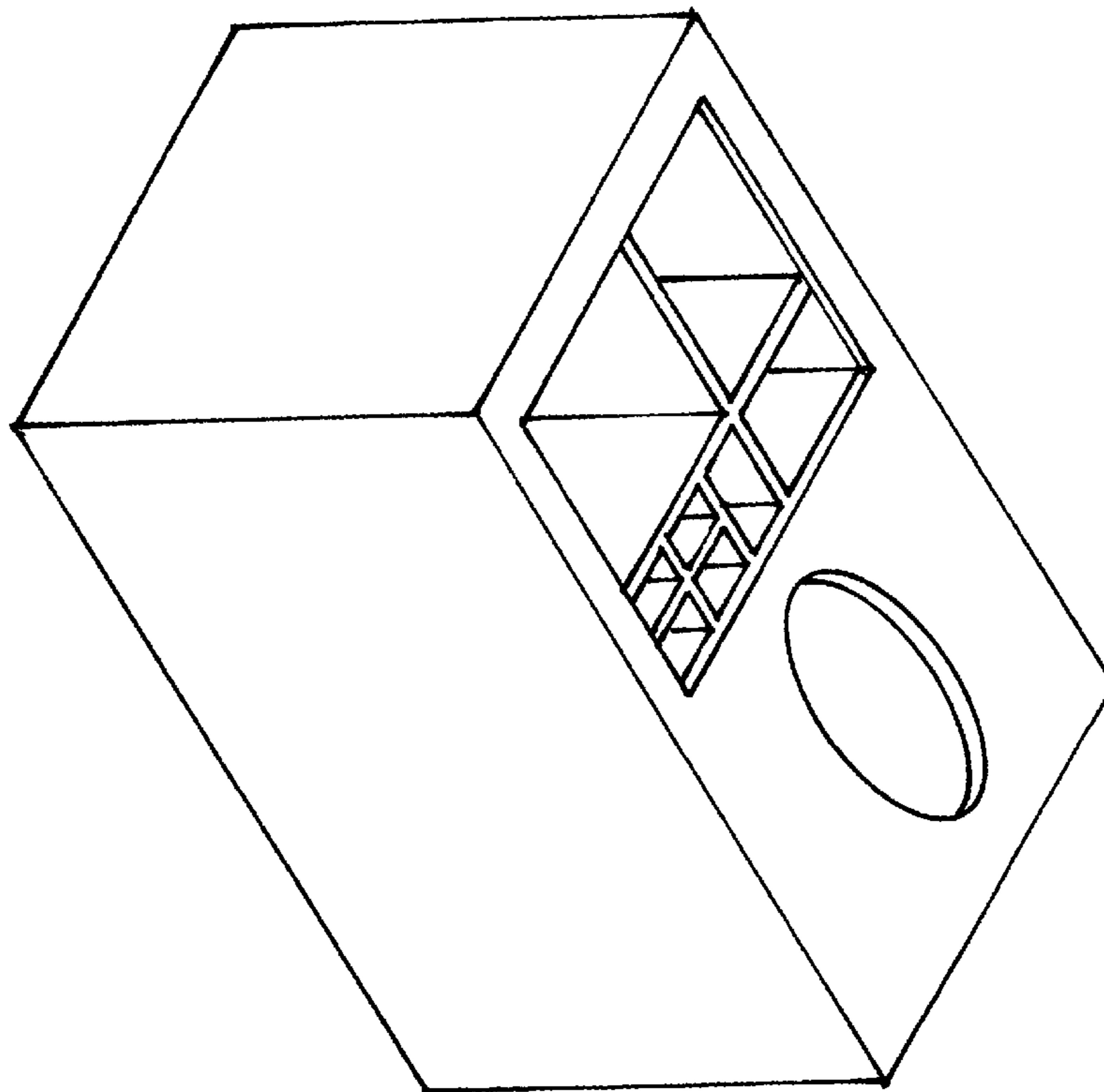
(57) **CLAIM**

The ornamental design for tooth brush caddy, as shown.

**DESCRIPTION**

FIG. 1 is a top, front, and left side perspective view of a tooth brush caddy showing my design;  
FIG. 2 is a vertical cross-sectional view of the decorative cover portion, taken along line 2-2 of FIG. 3, with the remaining portion omitted for clarity of illustration;  
FIG. 3 is a top plan view of the decorative cover portion, with the remaining portion omitted for clarity of illustration;  
FIG. 4 is top plan view of the interior portion, with the decorative cover portion omitted for clarity of illustration;  
FIG. 5 is a front elevational view of the interior portion, with the decorative cover omitted for clarity of illustration;  
FIG. 6 is a front elevational view thereof;  
FIG. 7 is a side elevational view thereof; and,  
FIG. 8 is a vertical cross-sectional view thereof, taken along line 8-8 of FIG. 7.

**1 Claim, 5 Drawing Sheets**



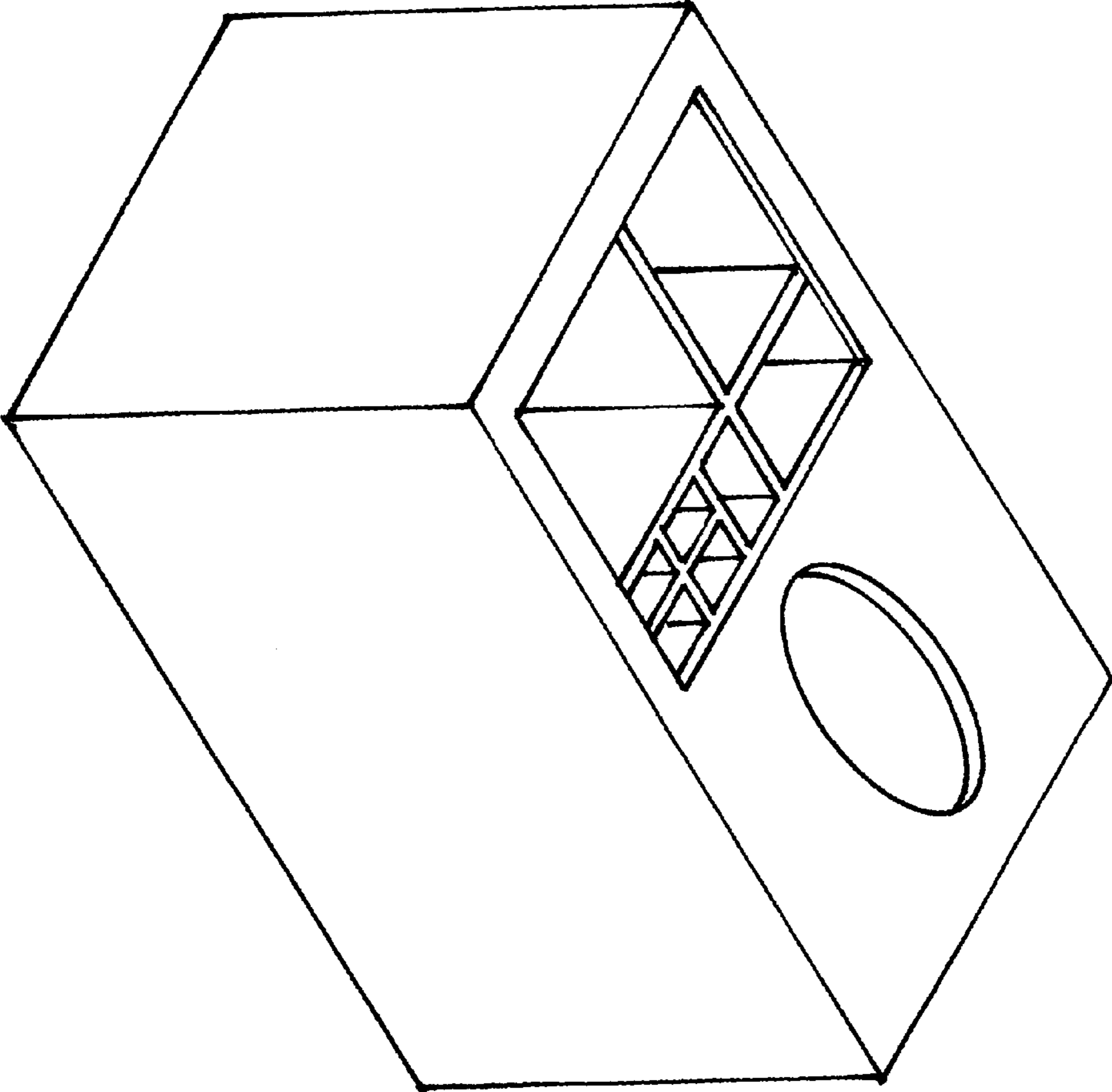


FIG.1

FIG. 2

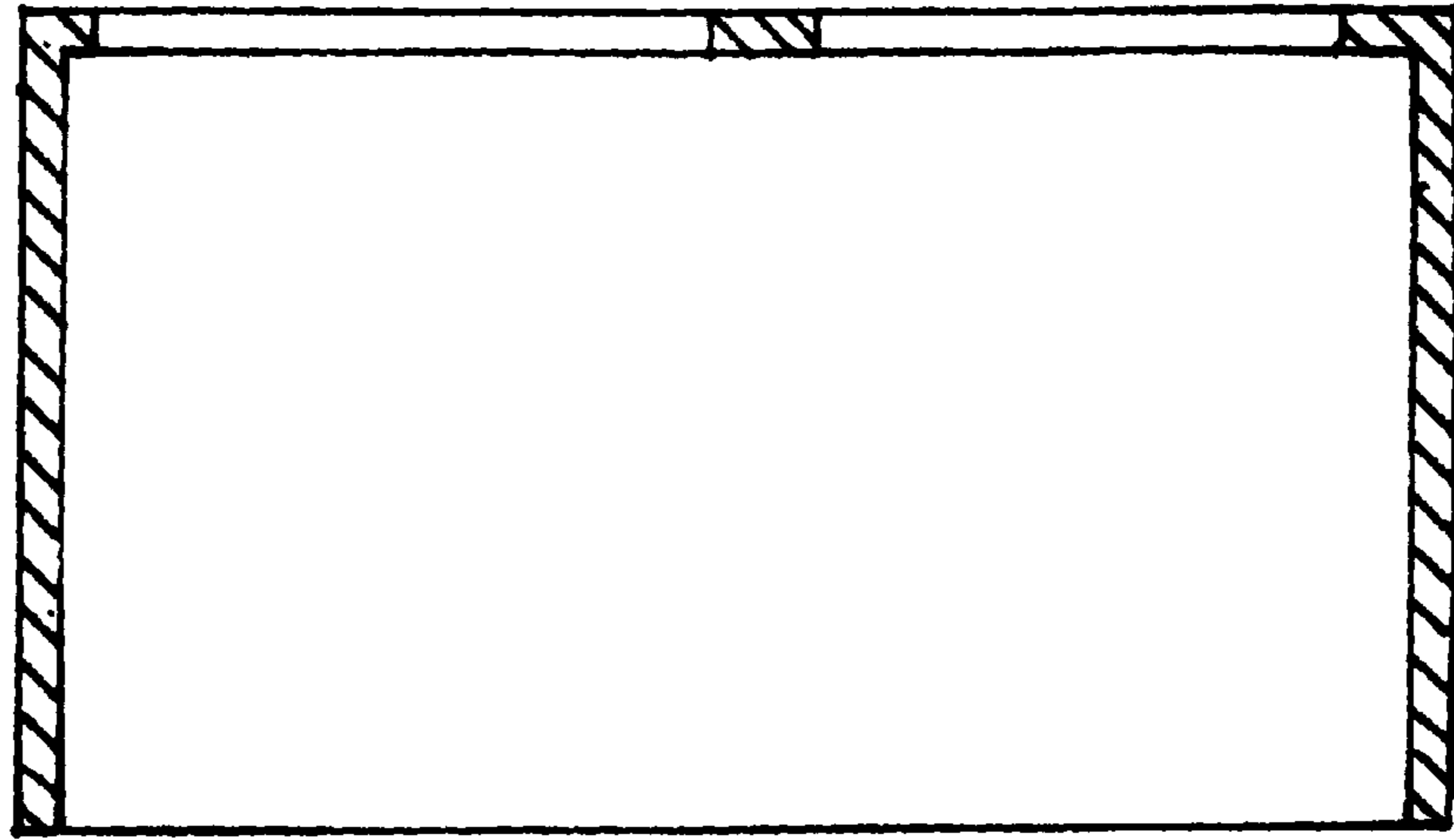


FIG. 3

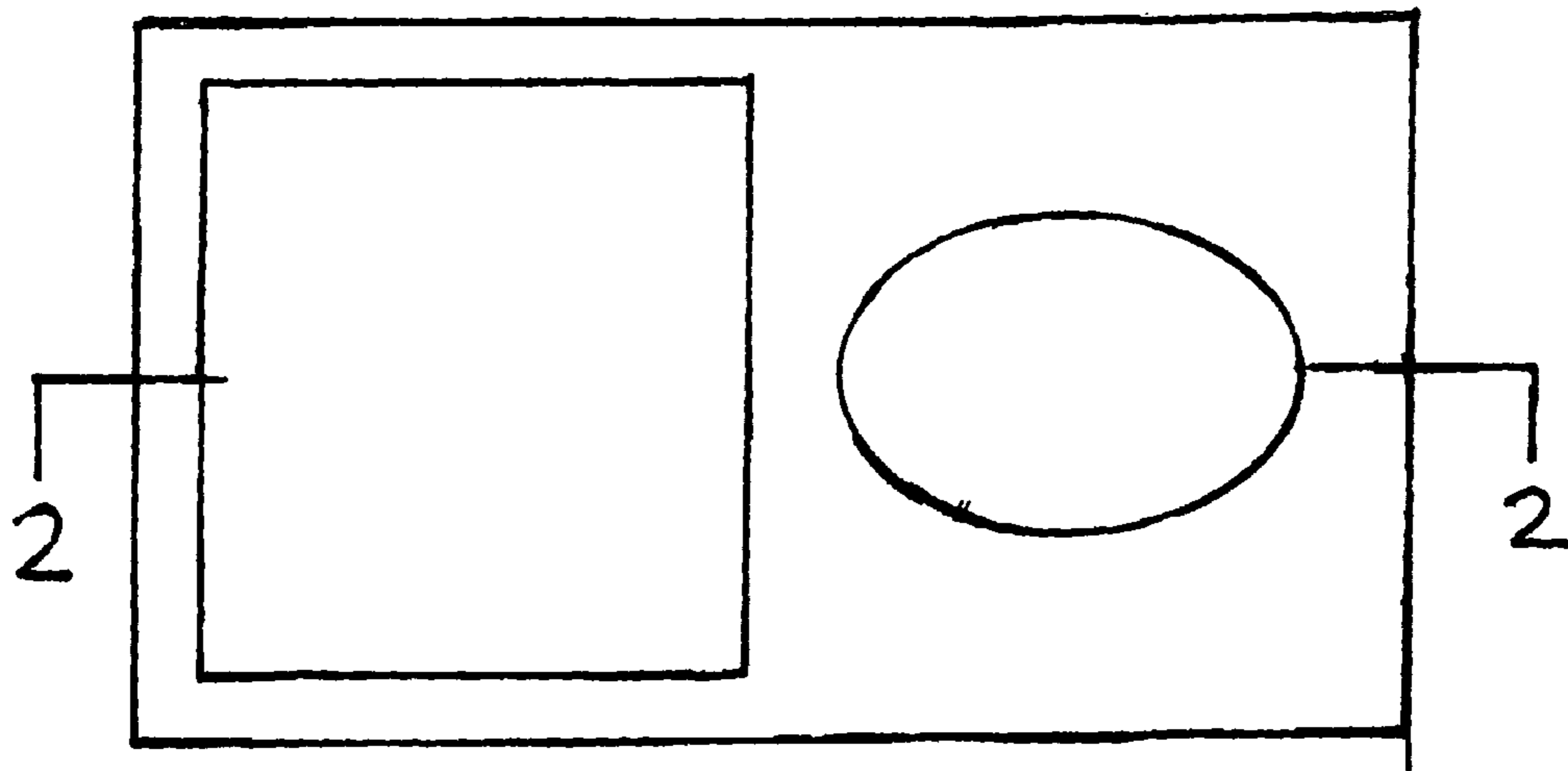


FIG. 4

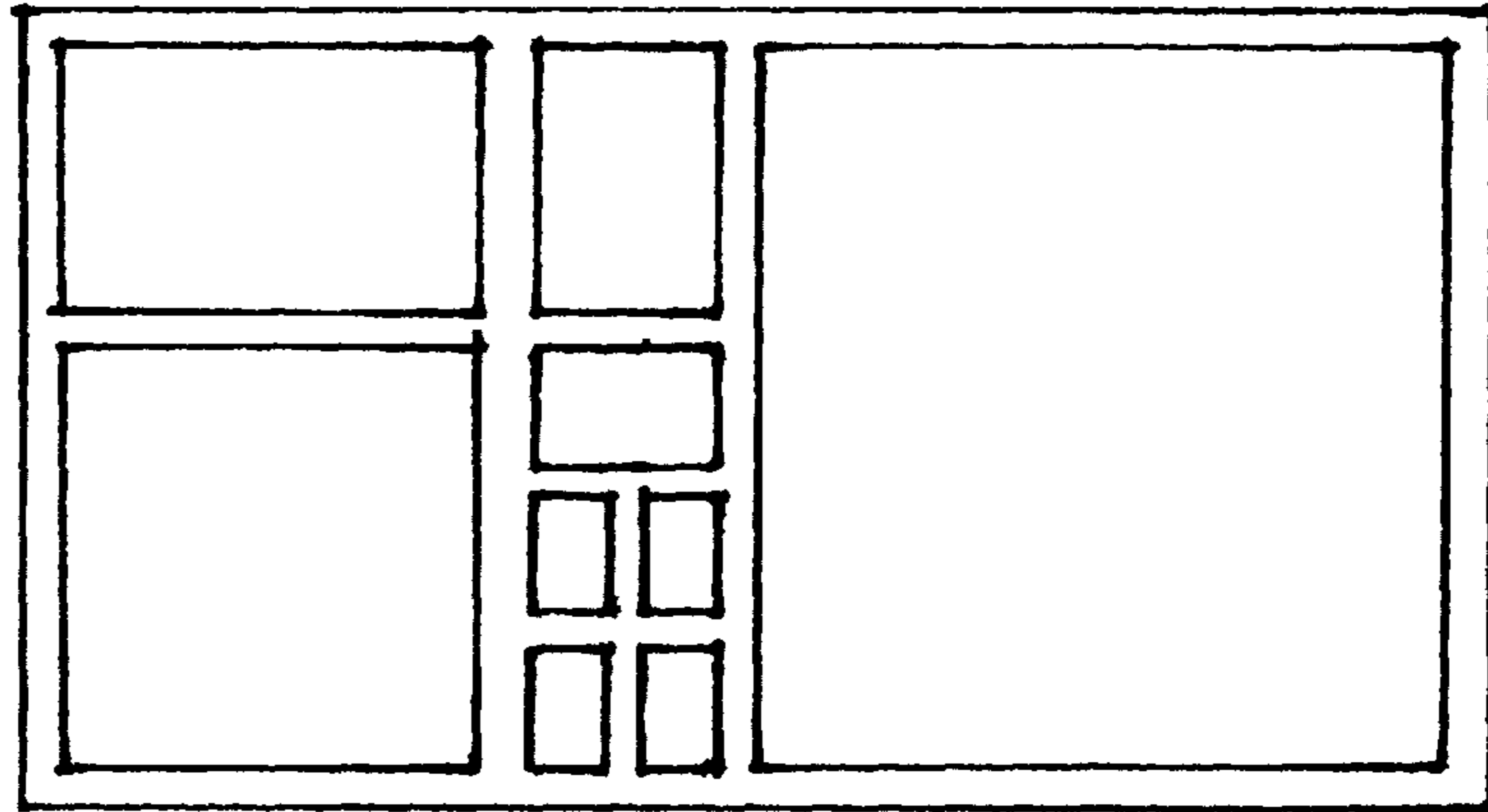


FIG. 5

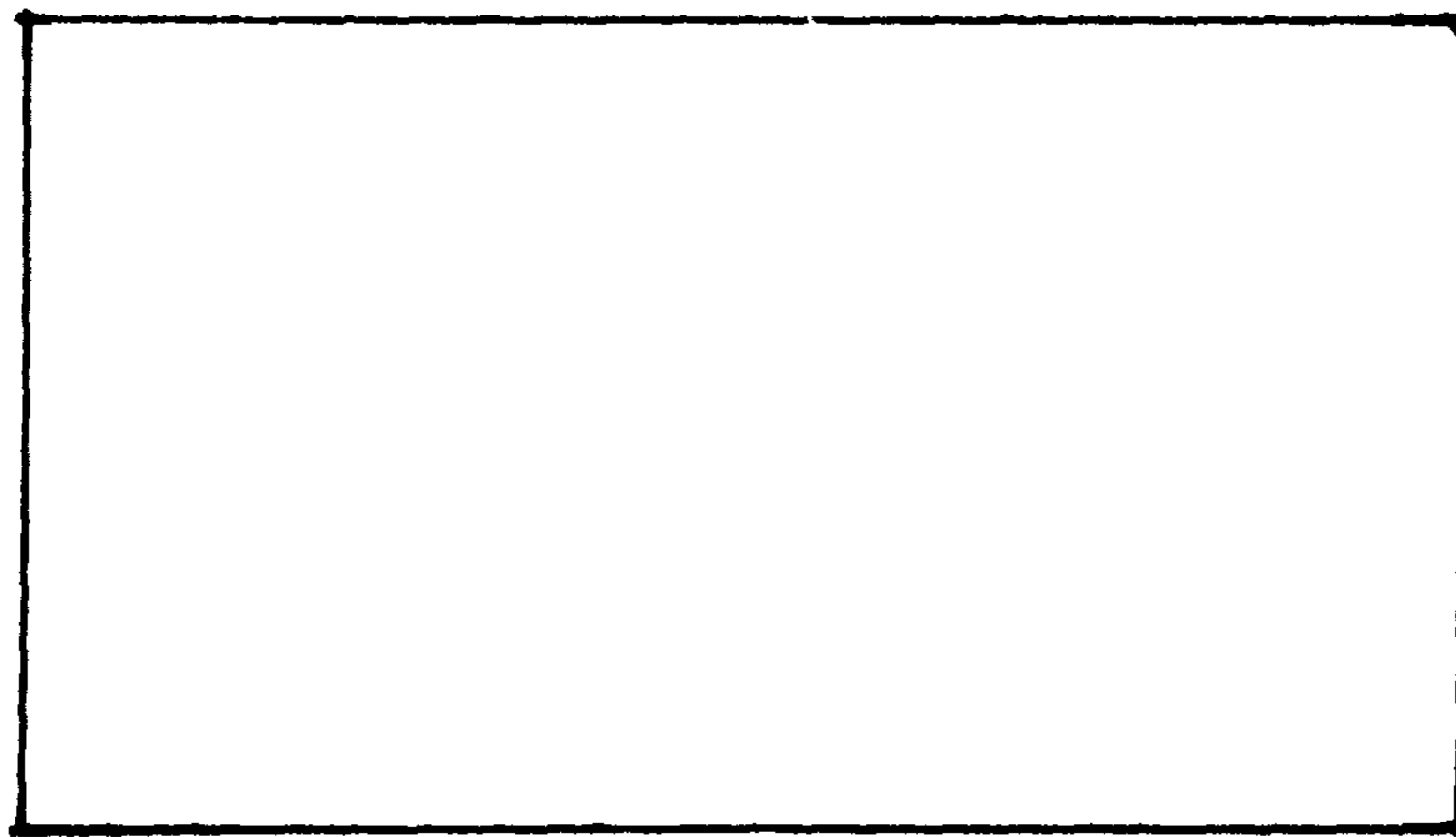
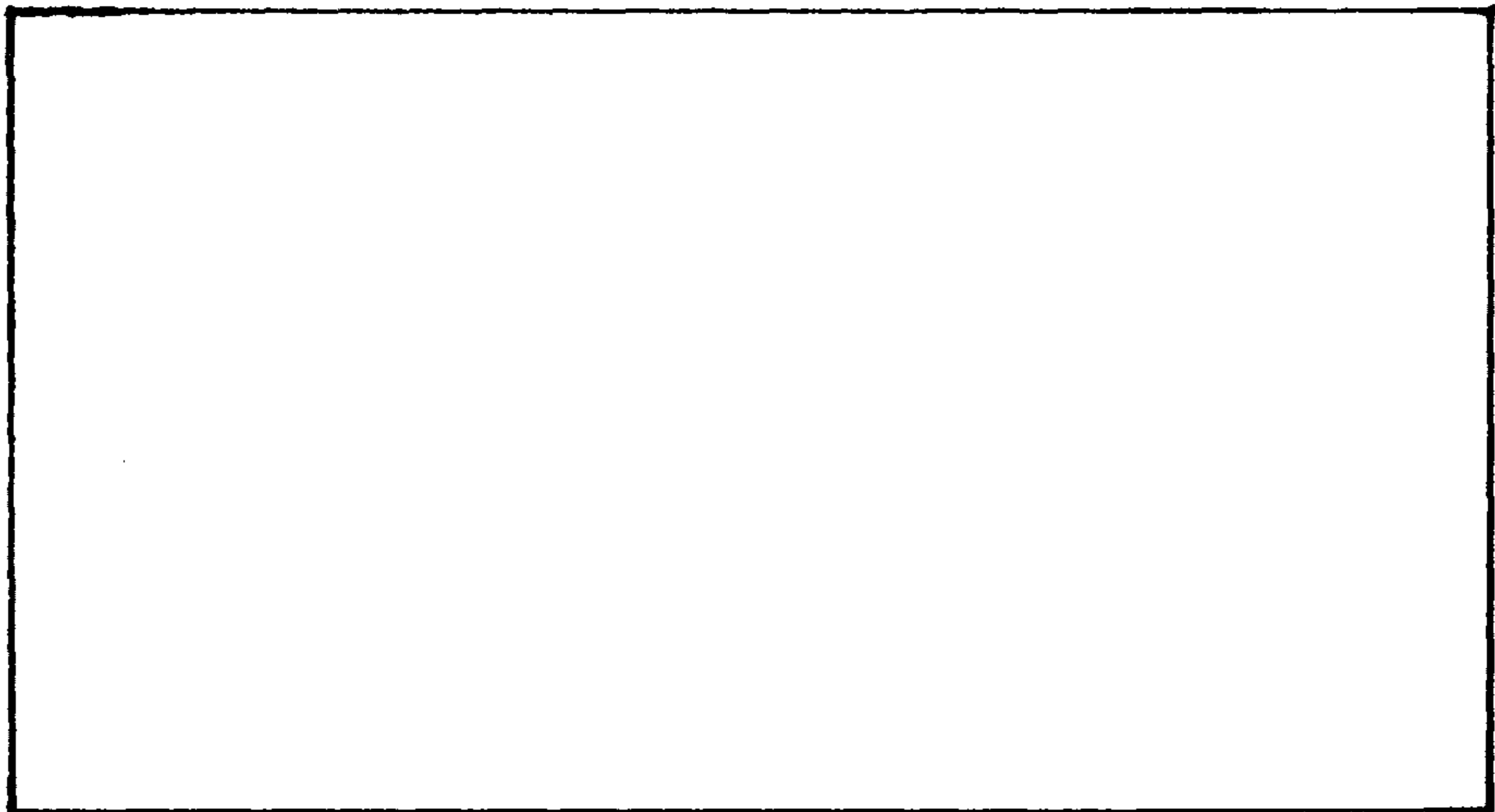
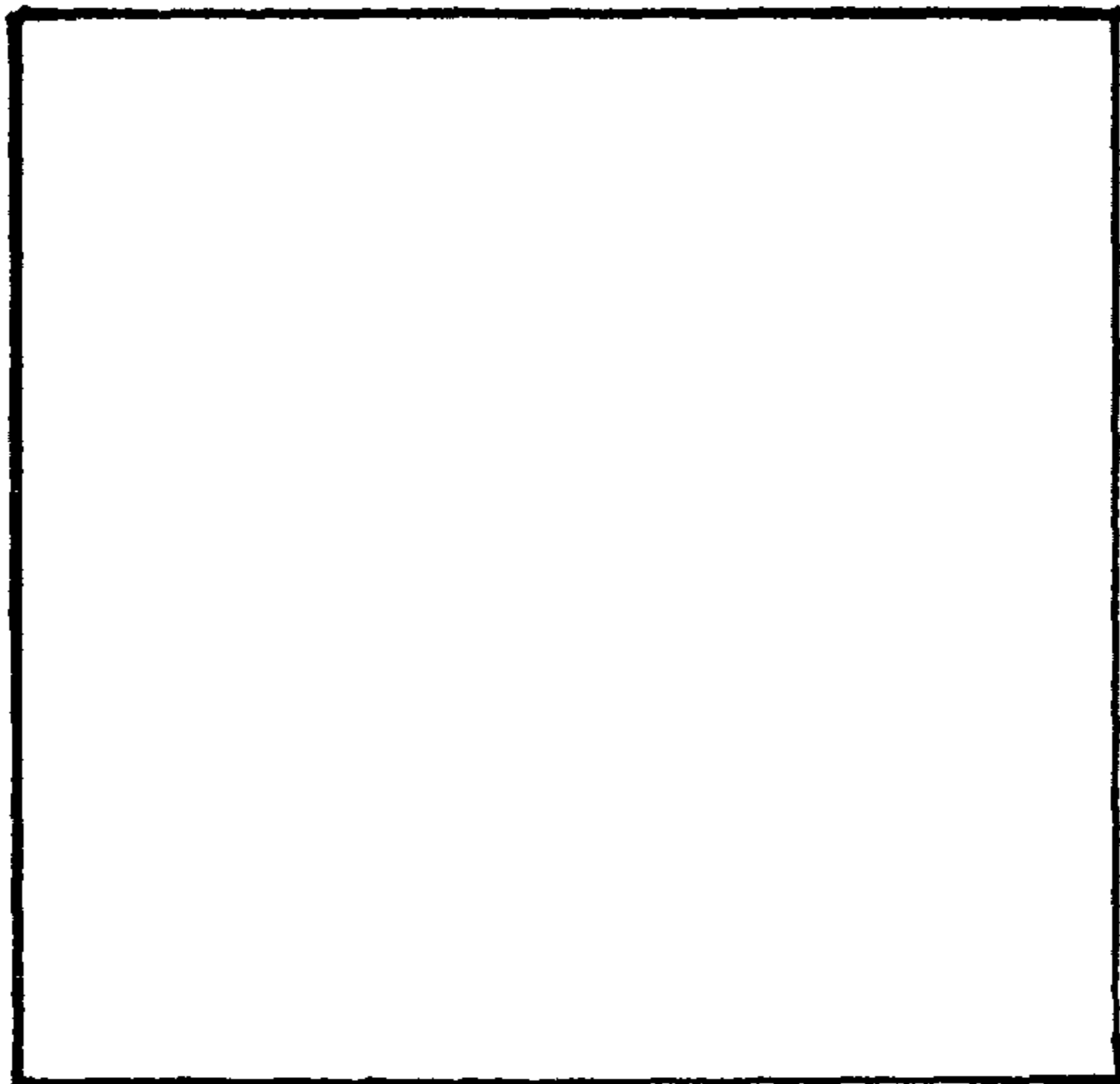


FIG. 6



← 8

FIG. 7



← 8

FIG. 8

