



US00D687245S

(12) **United States Design Patent**  
**Salagnac**

(10) **Patent No.:** **US D687,245 S**

(45) **Date of Patent:** **\*\* Aug. 6, 2013**

(54) **CLIPPER HOLDER**

(71) Applicant: **Calor**, Lyons (FR)

(72) Inventor: **Marc Salagnac**, Lyons (FR)

(73) Assignee: **Calor**, Lyons (FR)

(\*\*) Term: **14 Years**

(21) Appl. No.: **29/437,994**

(22) Filed: **Nov. 23, 2012**

(30) **Foreign Application Priority Data**

May 23, 2012 (EM) ..... 001327589-0002

(51) **LOC (9) Cl.** ..... **28-03**

(52) **U.S. Cl.**  
USPC ..... **D6/526**

(58) **Field of Classification Search**  
USPC ..... D6/526, 524, 540; 211/13.1, 70.6,  
211/87.01, 89.01; 248/200, 205.5, 309.1,  
248/314, 127, 176.1; D9/749  
See application file for complete search history.

(56) **References Cited**

U.S. PATENT DOCUMENTS

D360,485 S 7/1995 Simonelli  
D423,845 S \* 5/2000 Coffin et al. .... D6/526  
D494,796 S \* 8/2004 Dansreau et al. .... D6/526  
D495,179 S \* 8/2004 Bunnell et al. .... D6/526

D519,682 S 4/2006 Choi  
D533,380 S \* 12/2006 Dansreau et al. .... D6/526  
D596,434 S \* 7/2009 Micinilio et al. .... D6/526  
D621,347 S 8/2010 Aulwes et al.  
D628,839 S \* 12/2010 Schulz ..... D6/526  
D657,985 S \* 4/2012 Scheunert et al. .... D6/526  
D673,498 S 1/2013 Colle

FOREIGN PATENT DOCUMENTS

CN 301640796 S 8/2011

\* cited by examiner

*Primary Examiner* — Brian N Vinson

(74) *Attorney, Agent, or Firm* — Loeb & Loeb LLP

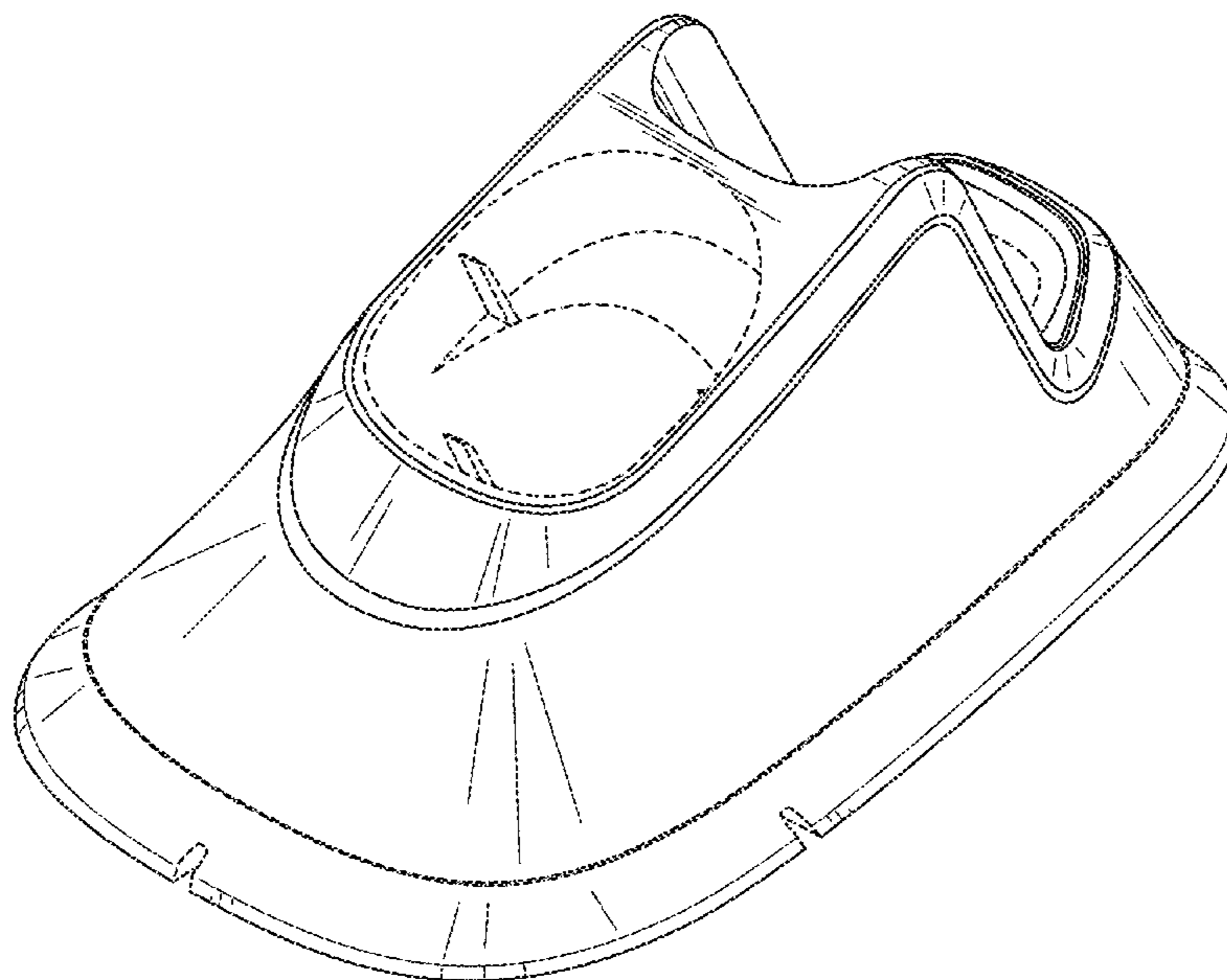
(57) **CLAIM**

The ornamental design for a clipper holder, as shown and described.

**DESCRIPTION**

FIG. 1 is a perspective view of the clipper holder.  
FIG. 2 is a front elevational view of the clipper holder of FIG. 1.  
FIG. 3 is a back view of the clipper holder of FIG. 1.  
FIG. 4 is a right side view of the clipper holder of FIG. 1.  
FIG. 5 is a left side view of the clipper holder of FIG. 1.  
FIG. 6 is a top view of the clipper holder of FIG. 1; and,  
FIG. 7 is a bottom view of the clipper holder of FIG. 1.  
The broken lines appearing in the figures are for the purpose of illustrating the structure of the article of the claimed design and form no part of the claimed design.

**1 Claim, 7 Drawing Sheets**



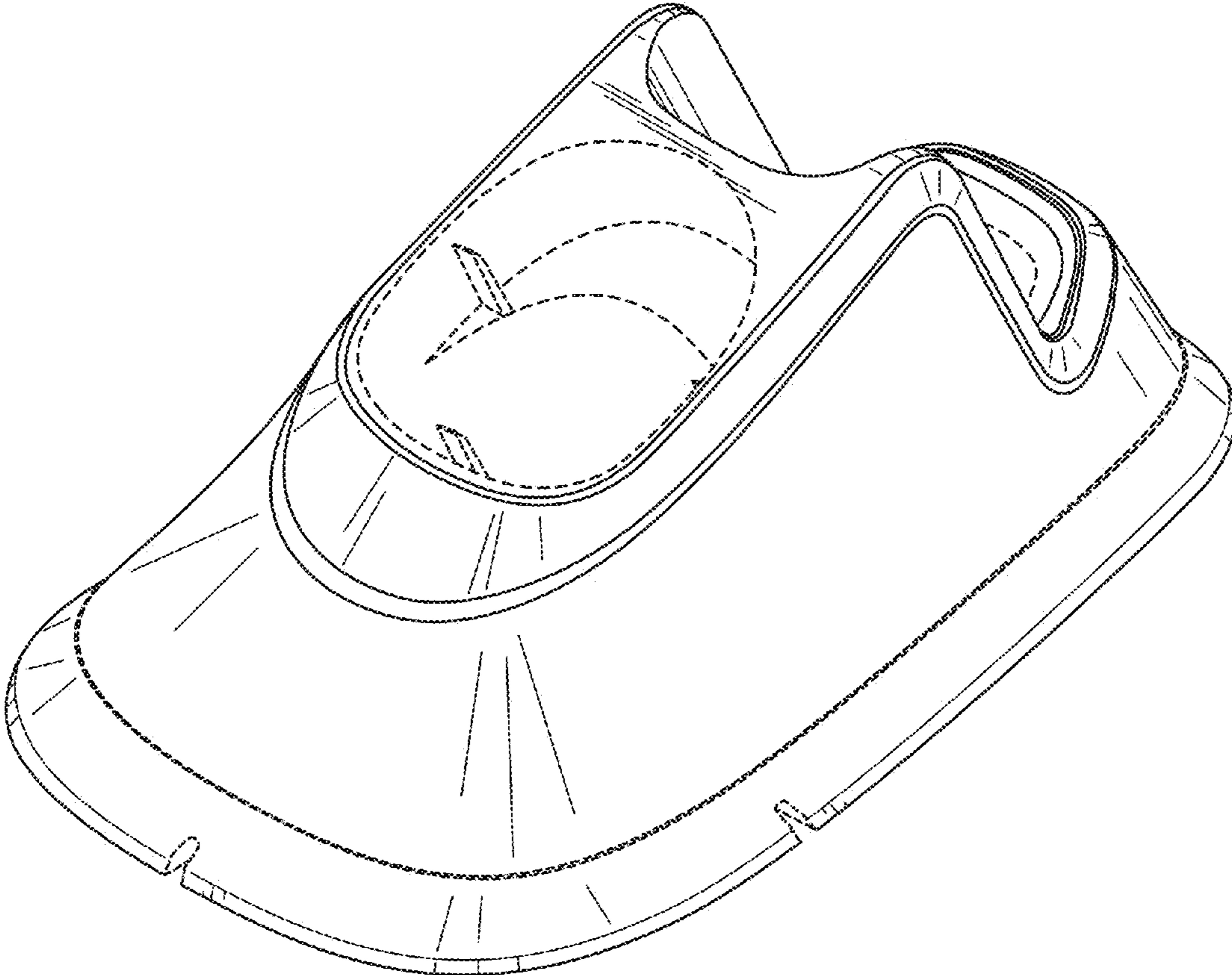


FIG. 1

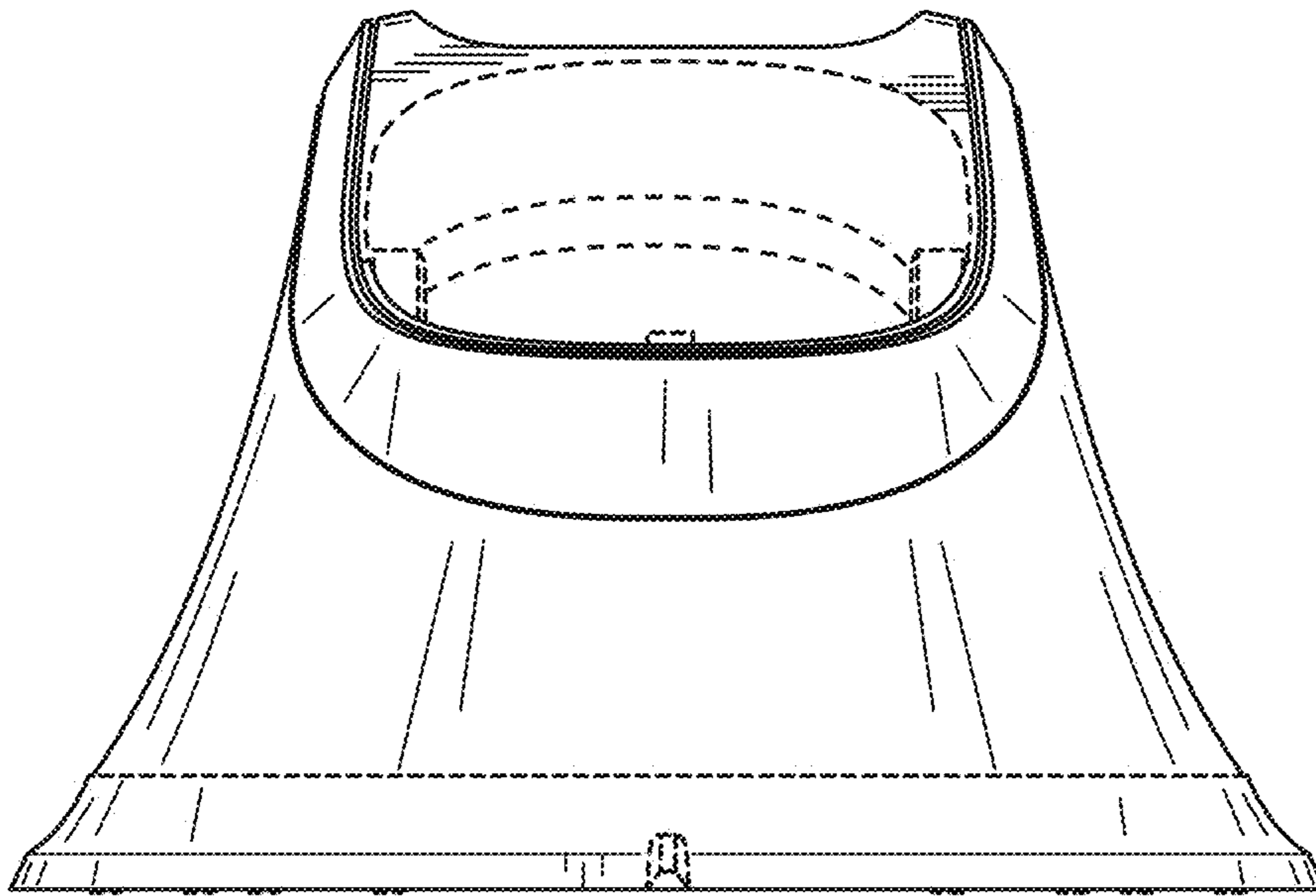


FIG. 2

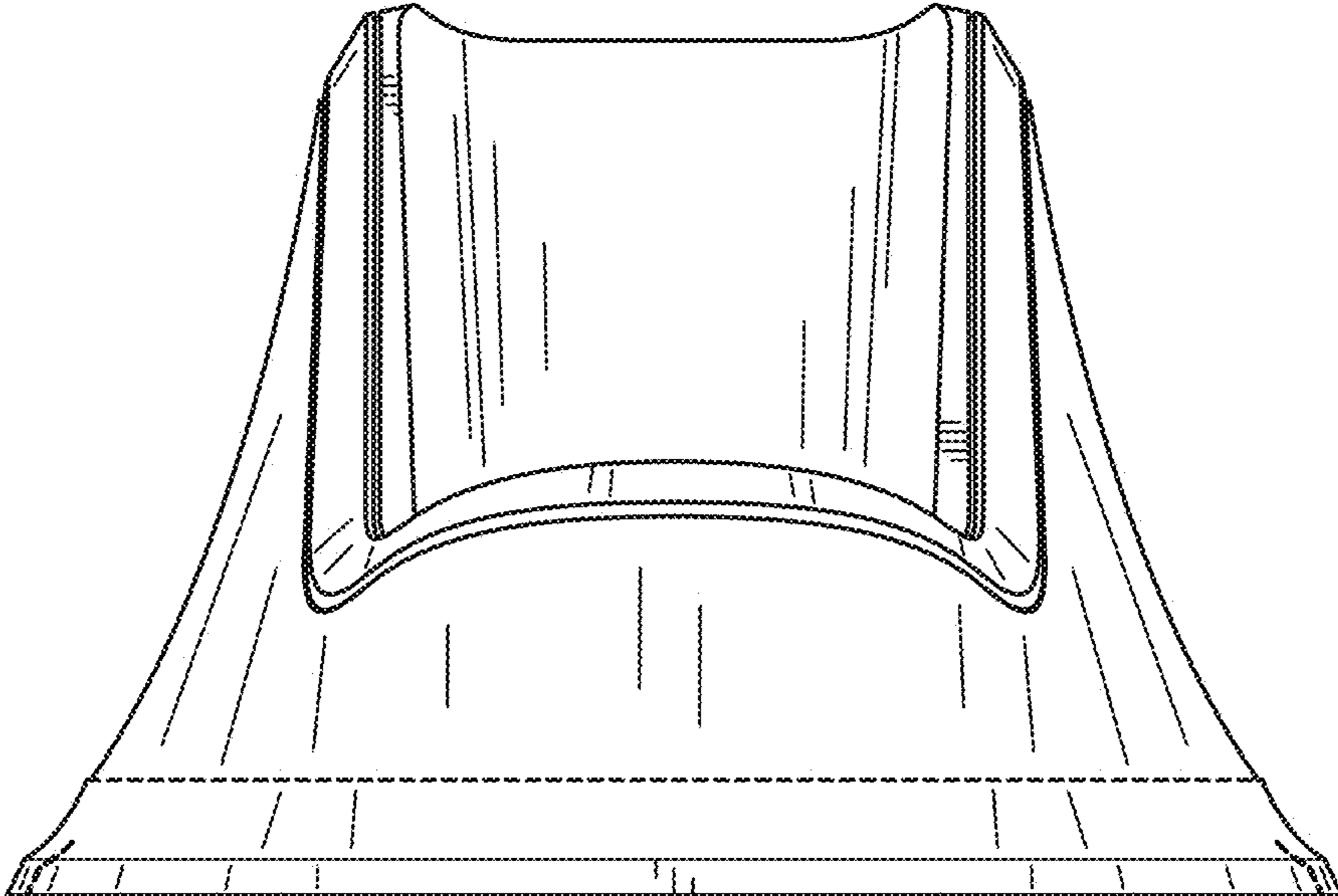


FIG. 3

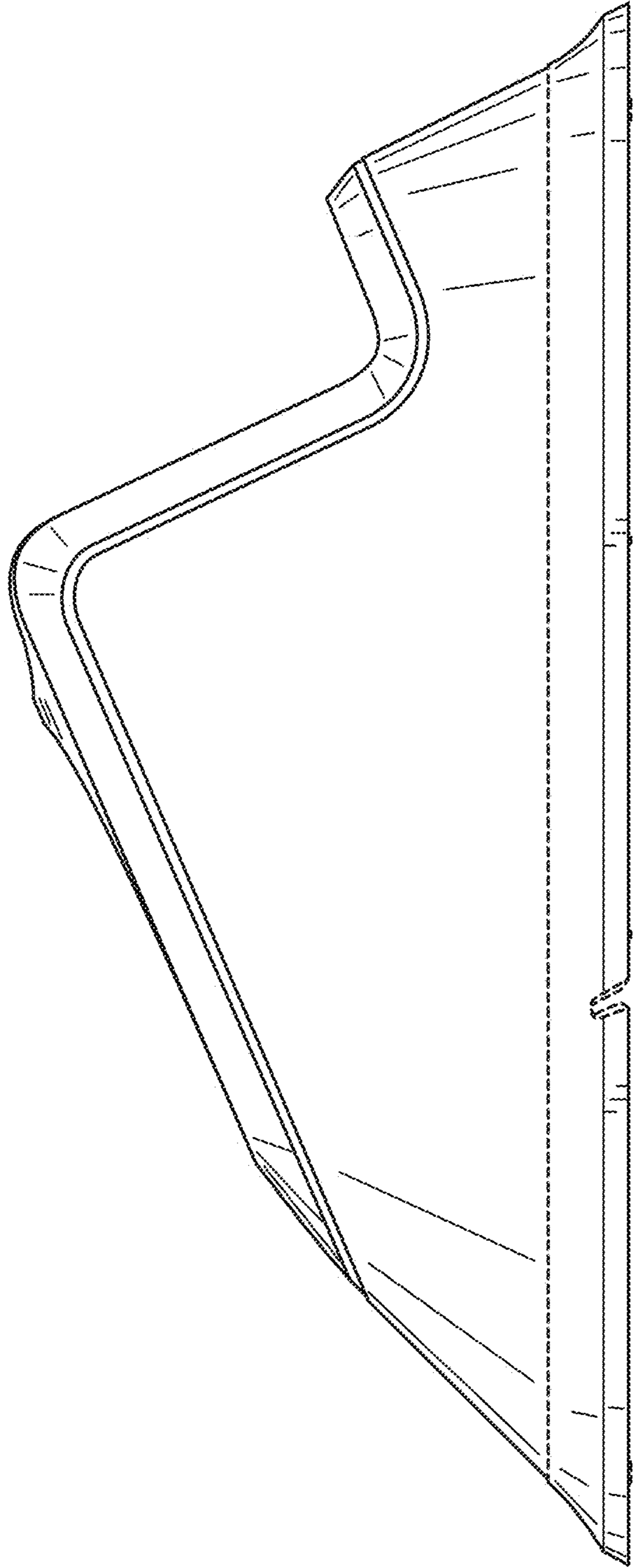


FIG. 4

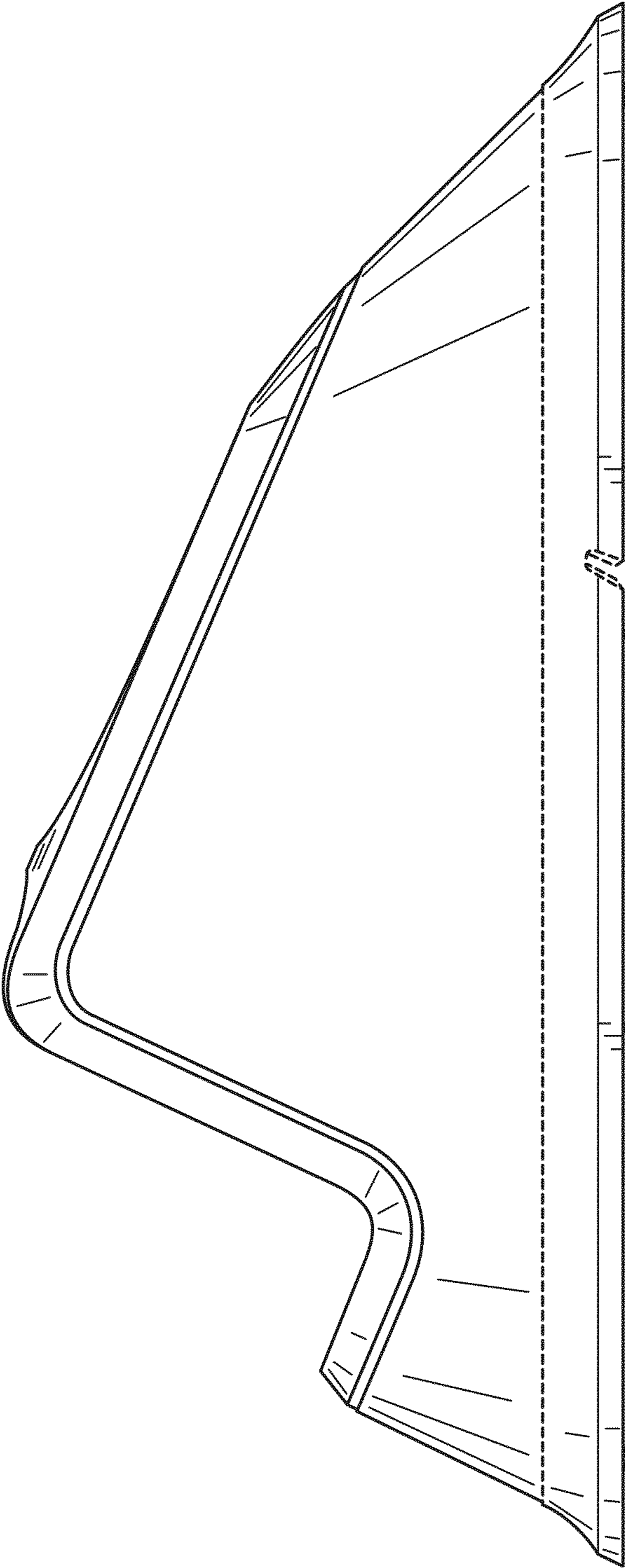


FIG. 5

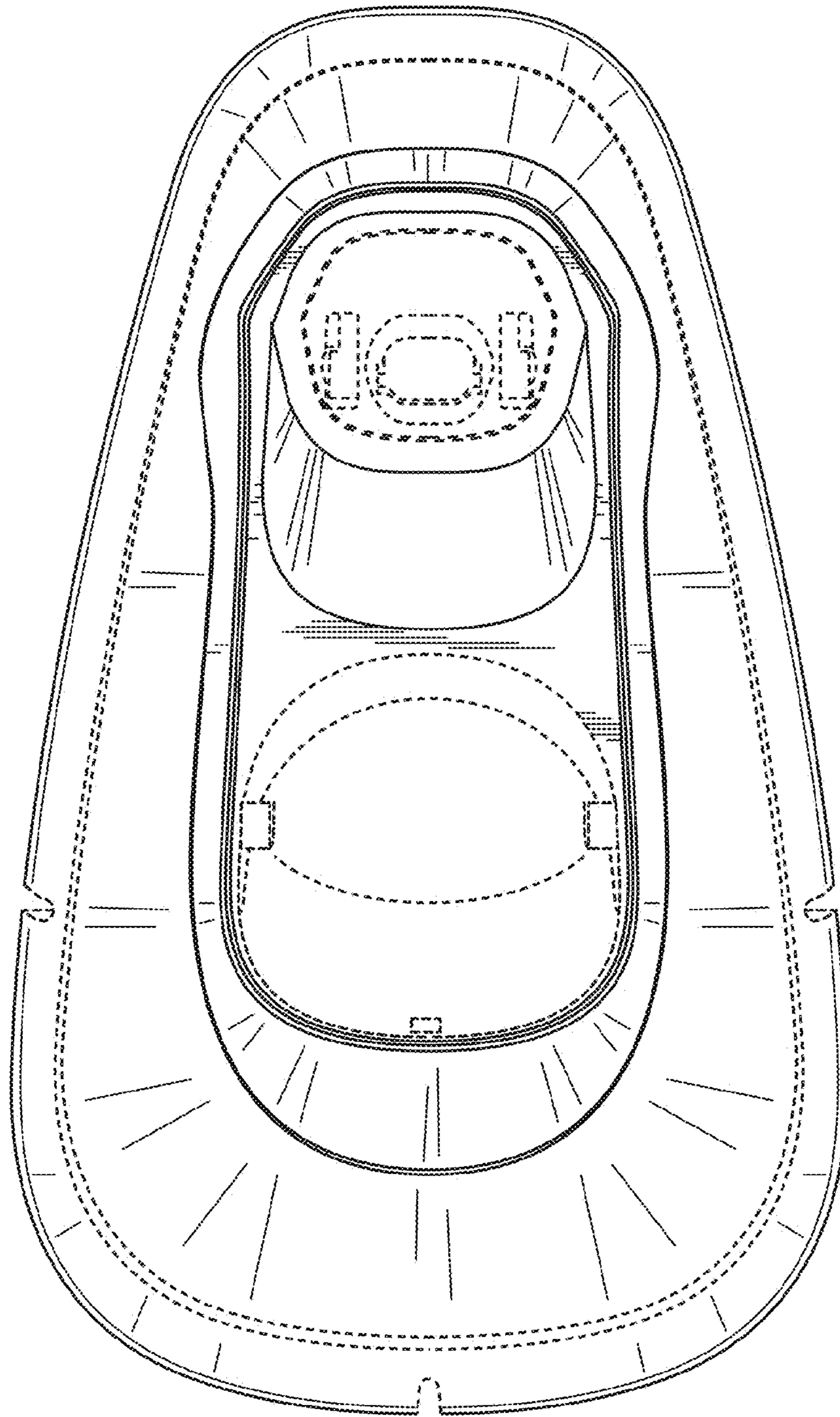


FIG. 6

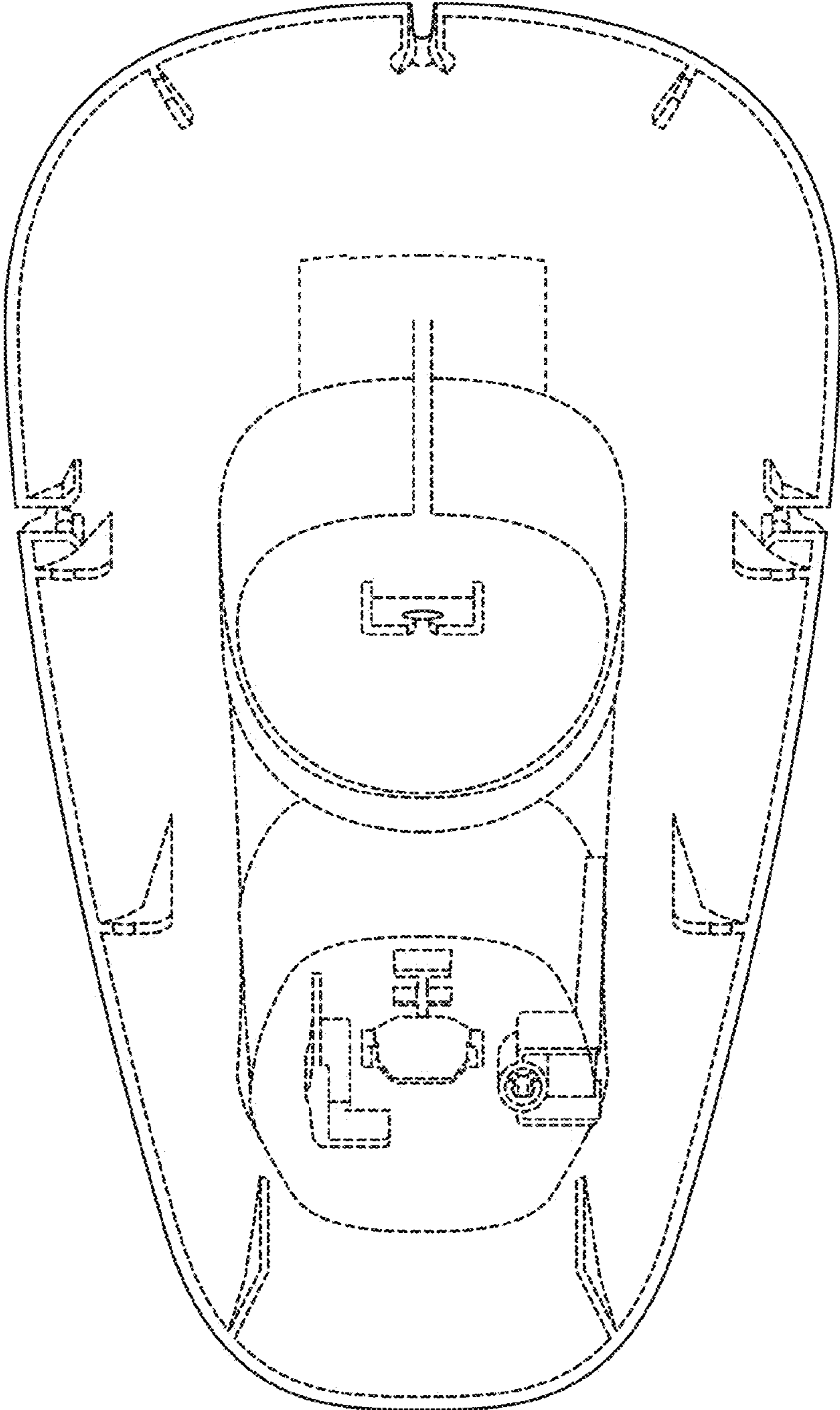


FIG. 7