



US00D687242S

(12) **United States Design Patent**
England

(10) **Patent No.:** **US D687,242 S**

(45) **Date of Patent:** **** *Aug. 6, 2013**

(54) **BED**

Primary Examiner — Janice Seeger

(75) Inventor: **Michael E. England**, Johnson City, TN
(US)

(57) **CLAIM**

I claim the ornamental design for a bed, as shown and described.

(73) Assignee: **Standard Furniture Manufacturing Co., Inc.**, Bay Minette, AL (US)

DESCRIPTION

(*) Notice: This patent is subject to a terminal disclaimer.

FIG. 1 is a perspective view of a bed showing a first embodiment of the claimed design;

(**) Term: **14 Years**

FIG. 2 is a front side view of the design bed shown in FIG. 1; FIG. 3 is a back side view of the design of the bed shown in FIG. 1;

(21) Appl. No.: **29/416,696**

FIG. 4 is a right side view of the design of the bed shown in FIG. 1;

(22) Filed: **Mar. 26, 2012**

FIG. 5 is a left side view of the design of the bed shown in FIG. 1;

(51) **LOC (9) Cl.** **06-02**

(52) **U.S. Cl.**

USPC **D6/393**; D6/718.23

FIG. 6 is a top view of the design of the bed shown in FIG. 1; FIG. 7 is a perspective view of a bed showing a second embodiment of the claimed design;

(58) **Field of Classification Search**

USPC D6/382–384, 392–395, 702, 718, D6/718.13, 718.23, 718.24; 5/53.1, 279.1, 5/280, 281, 907

FIG. 8 is a front side view of the design bed shown in FIG. 7; FIG. 9 is a back side view of the design of the bed shown in FIG. 7;

See application file for complete search history.

FIG. 10 is a right side view of the design of the bed shown in FIG. 7;

(56) **References Cited**

U.S. PATENT DOCUMENTS

D94,830	S	*	3/1935	Grandovsky	D6/335
2,691,175	A	*	10/1954	Brahm et al.	5/53.1
D545,078	S	*	6/2007	Jourdan	D6/393
D639,175	S	*	6/2011	Venkataraman et al.	D9/541
D639,578	S	*	6/2011	Dordoni	D6/393
D660,045	S	*	5/2012	Lenney	D6/393

FIG. 11 is a left side view of the design of the bed shown in FIG. 7; and,

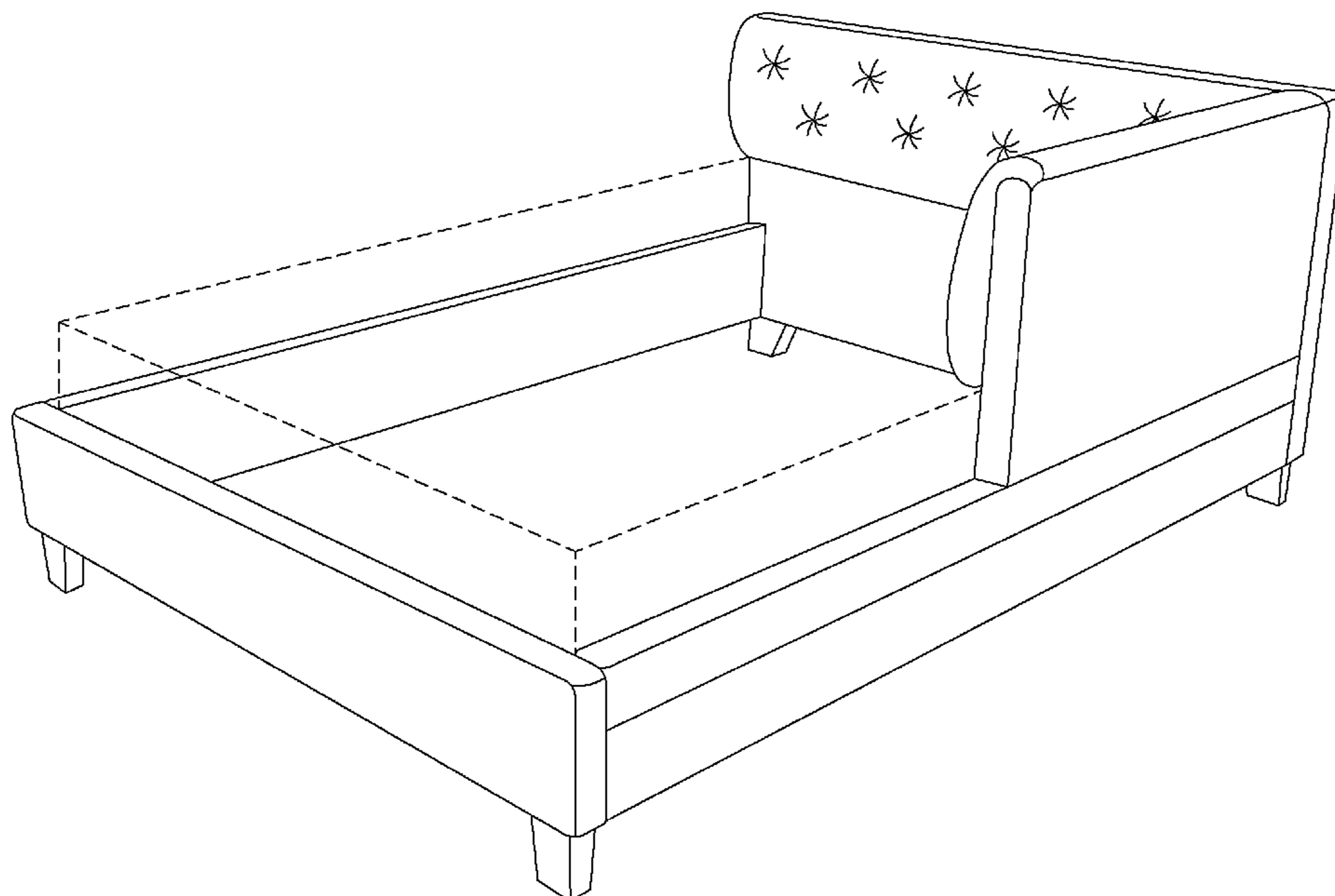
FIG. 12 is a top view of the design of the bed shown in FIG. 7.

The broken lines in the drawings are for illustrative purposes only and form no part of the claimed design.

The bottom of the bed, not shown, forms no part of the claimed design.

* cited by examiner

1 Claim, 8 Drawing Sheets



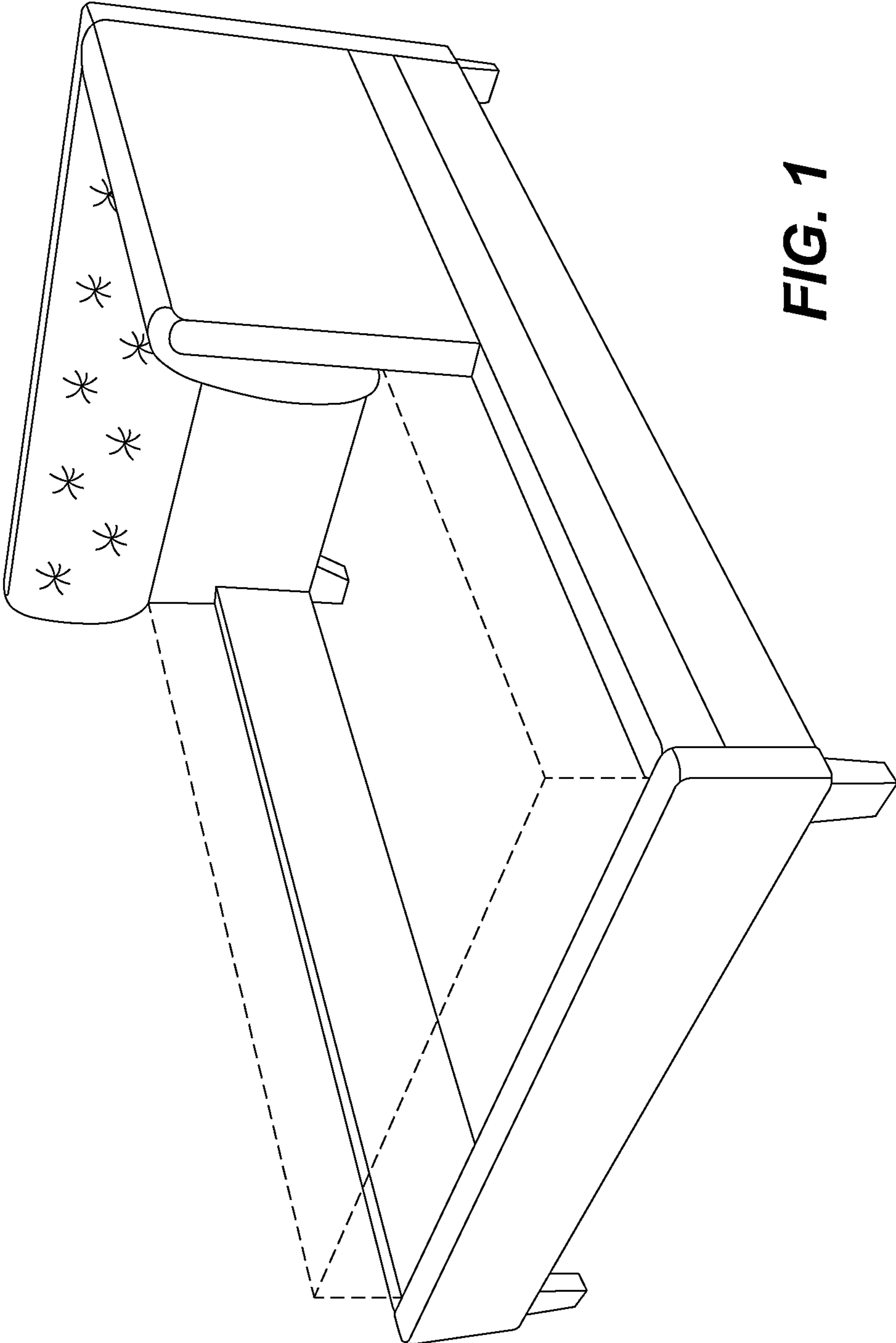


FIG. 1

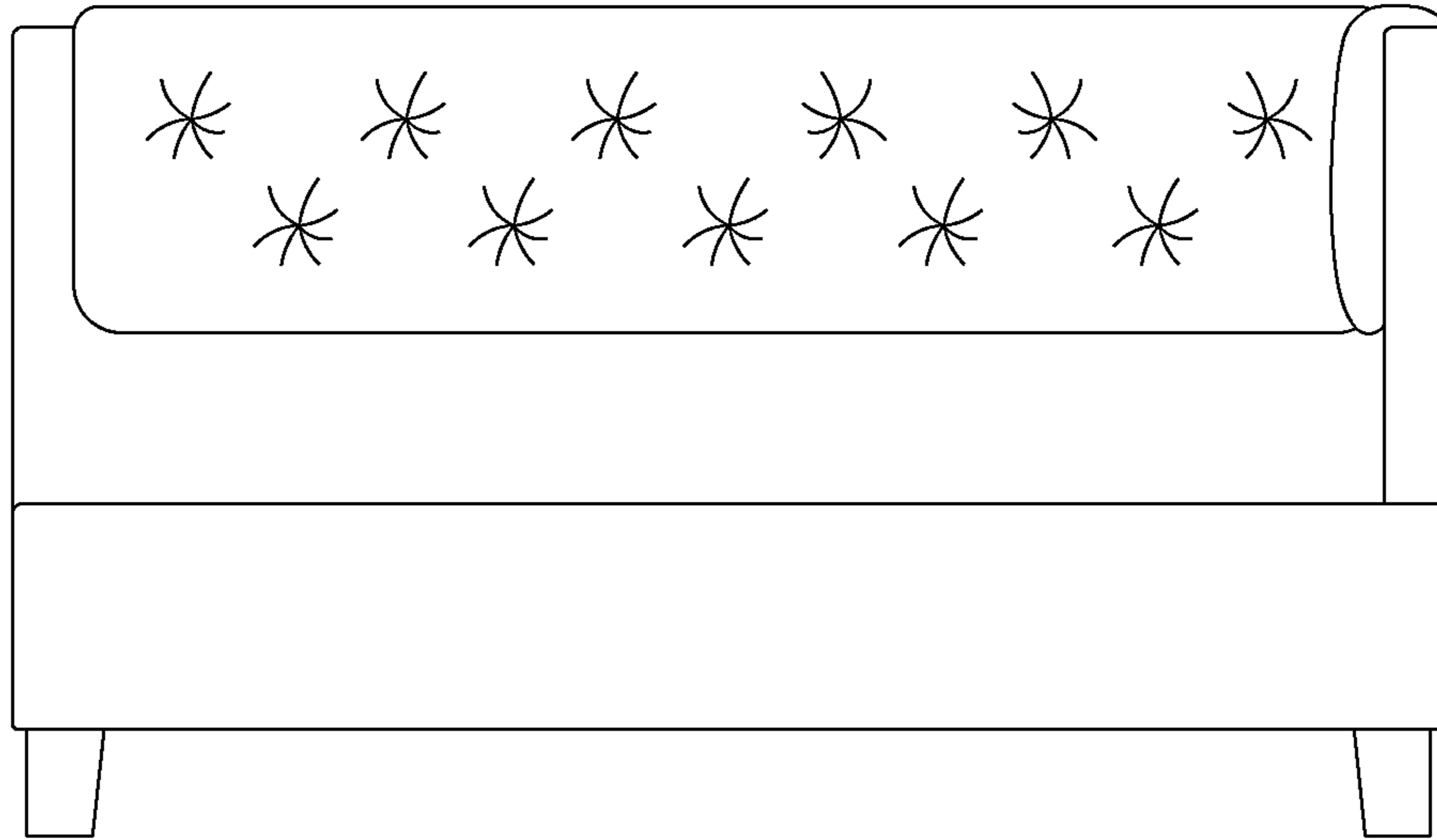


FIG. 2

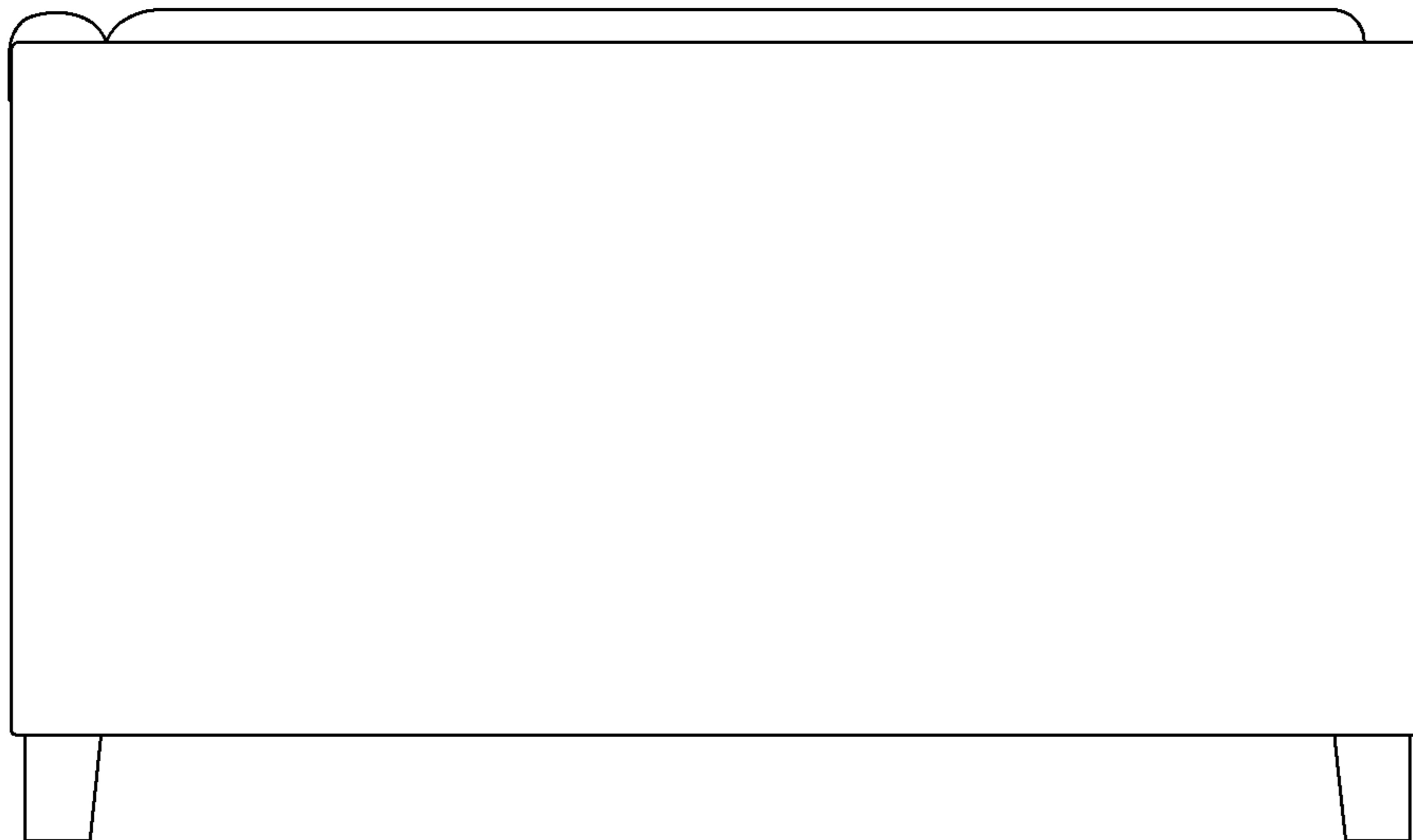


FIG. 3

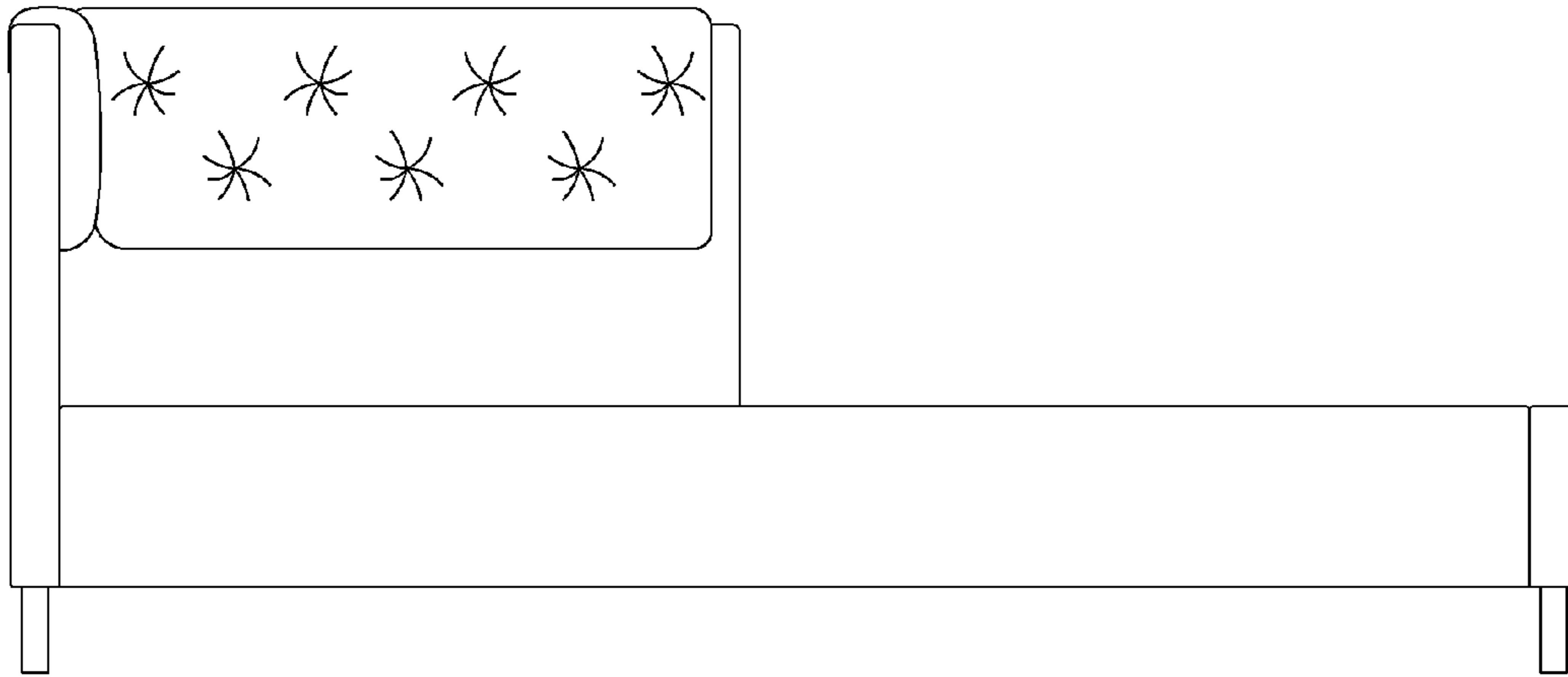


FIG. 4

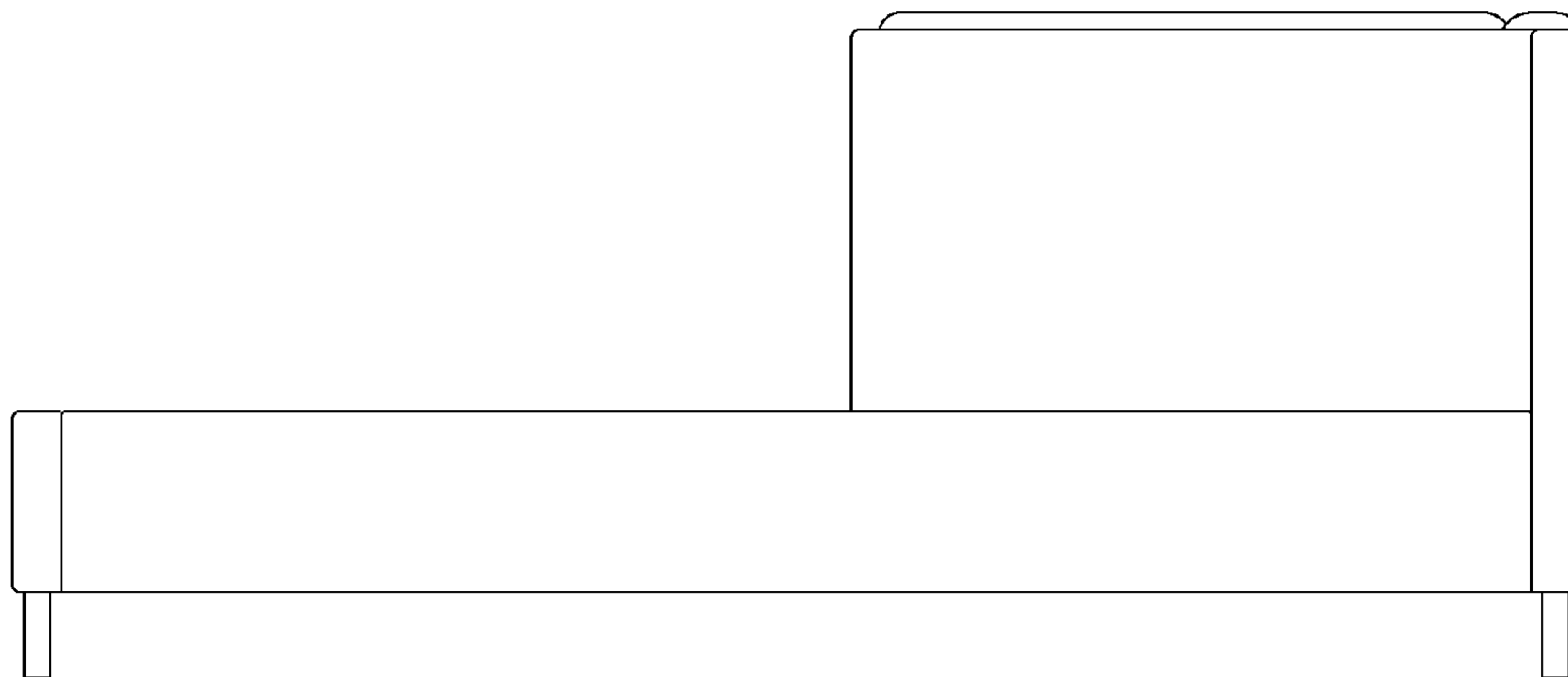


FIG. 5

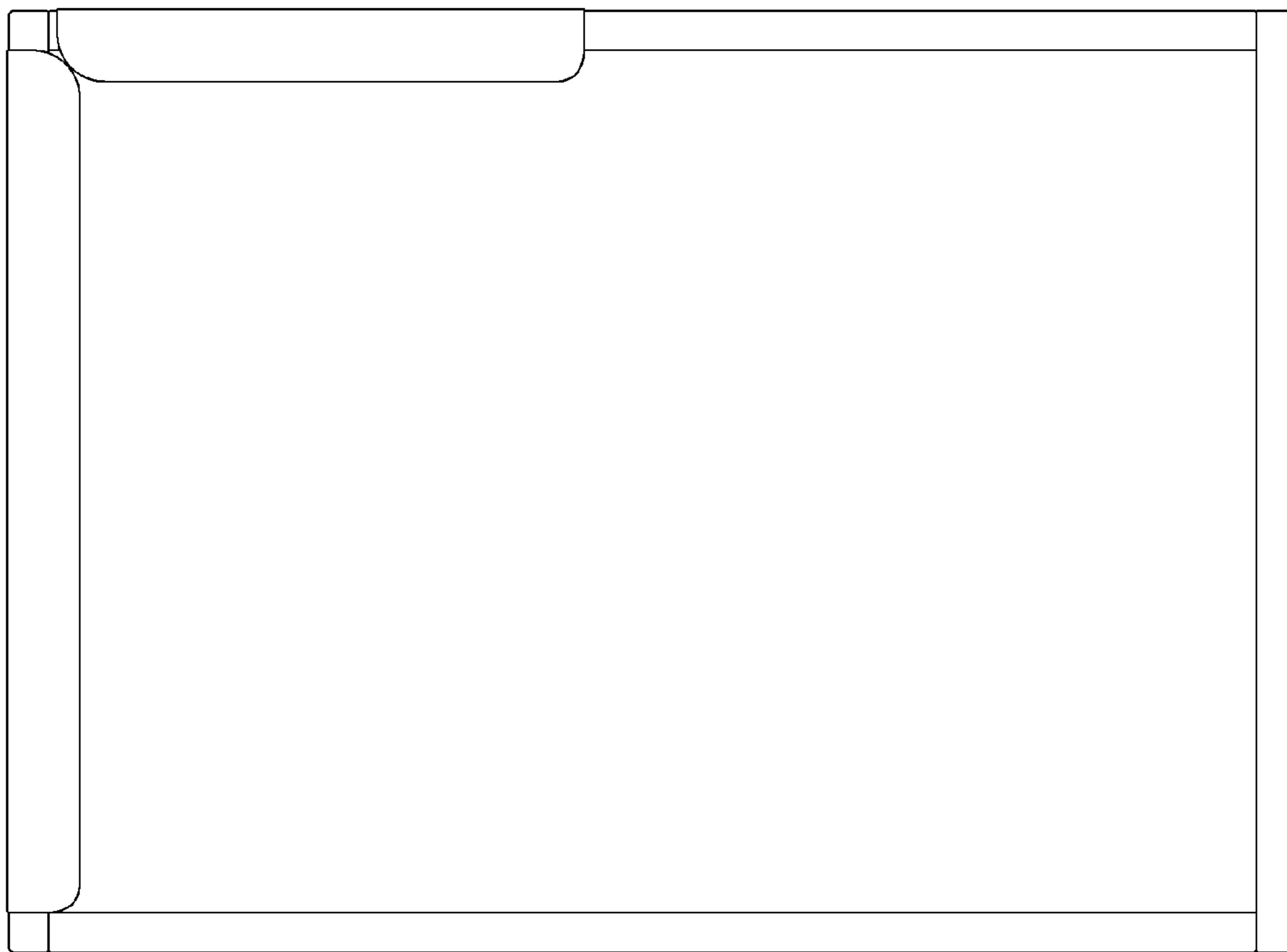


FIG. 6

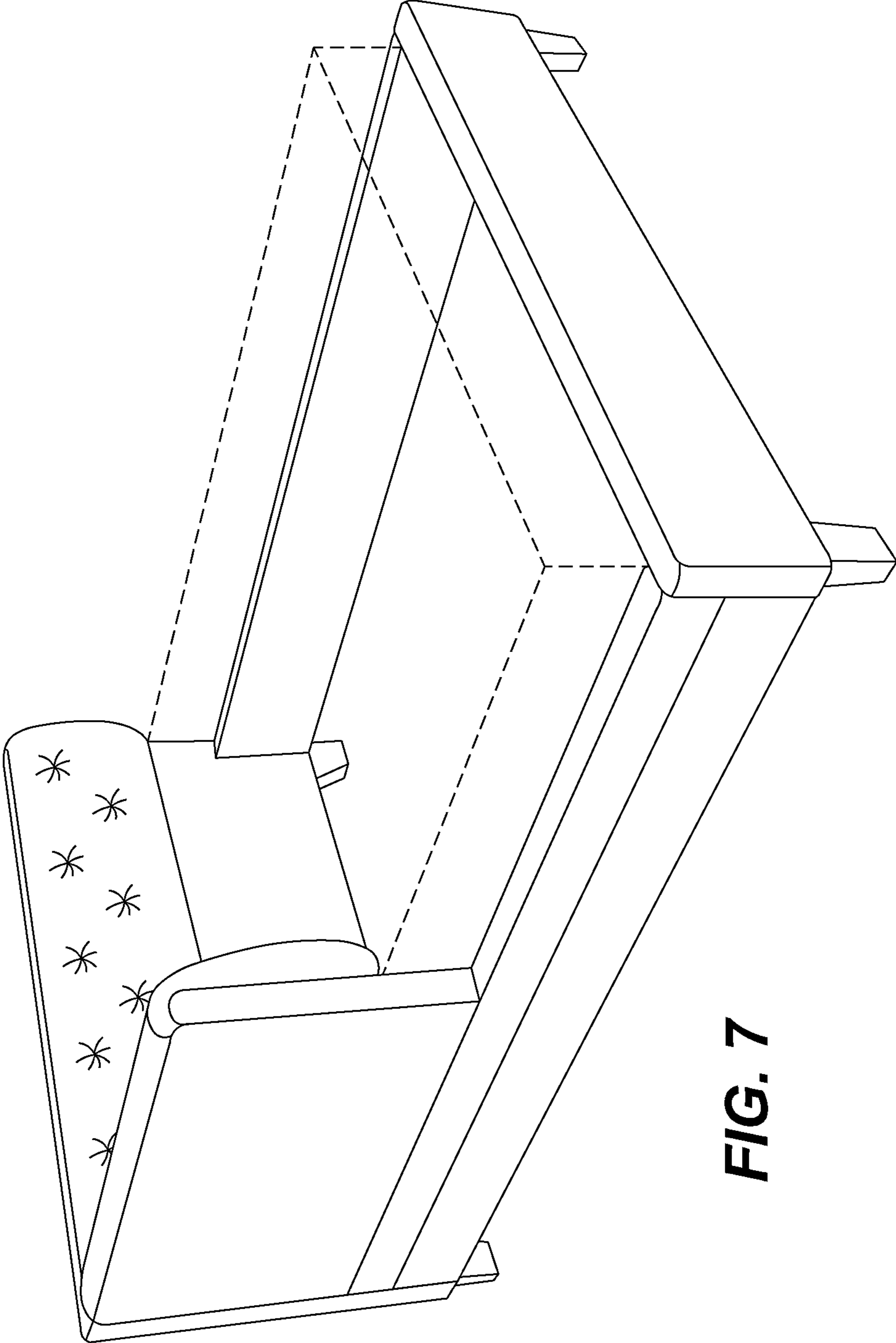


FIG. 7

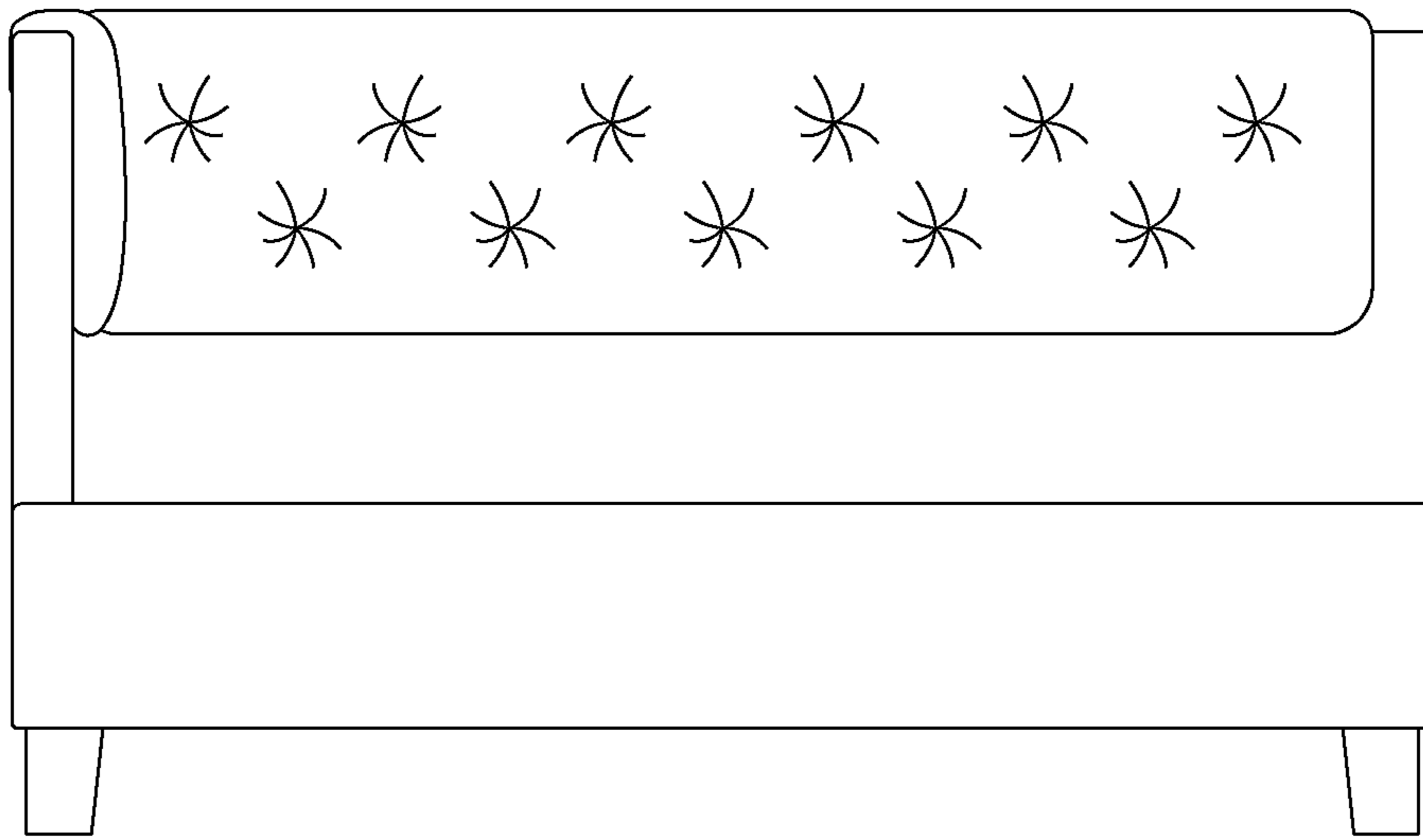


FIG. 8



FIG. 9

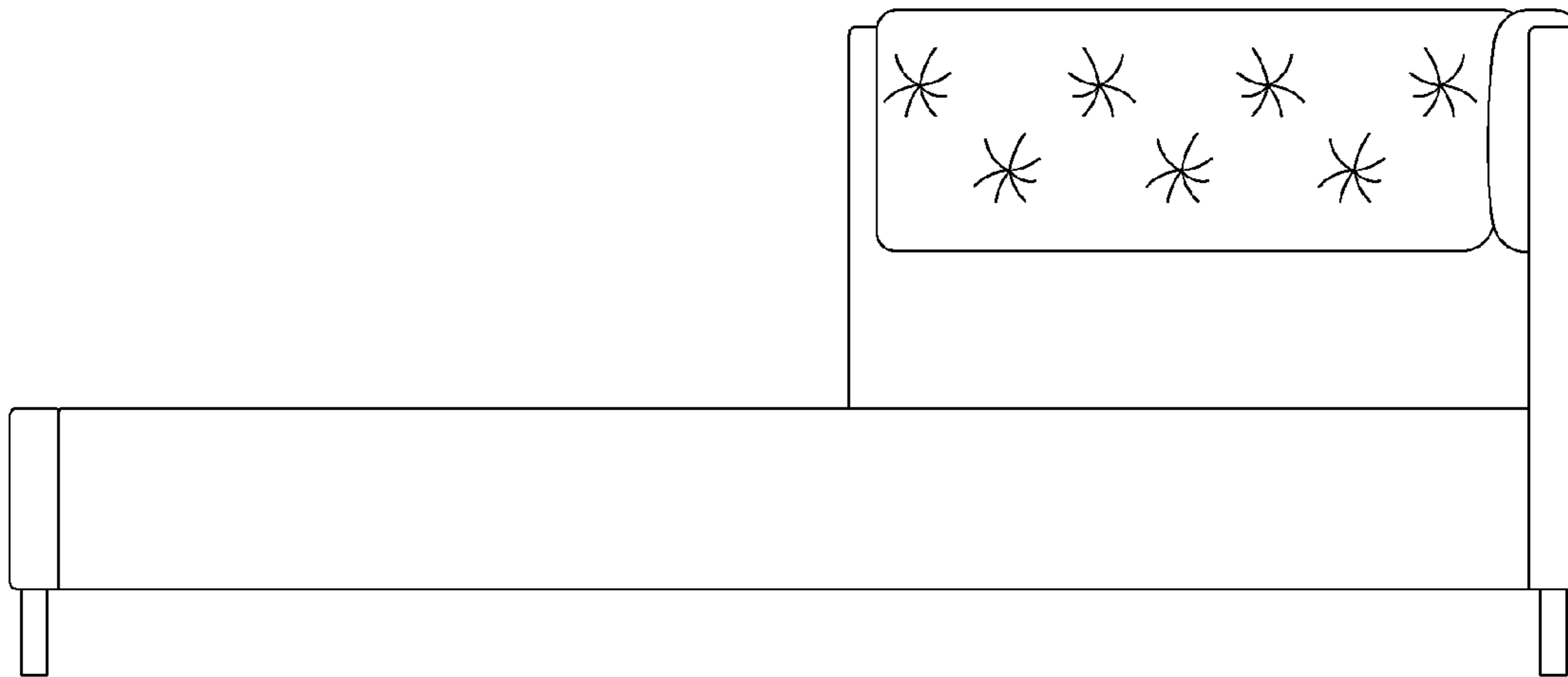


FIG. 10

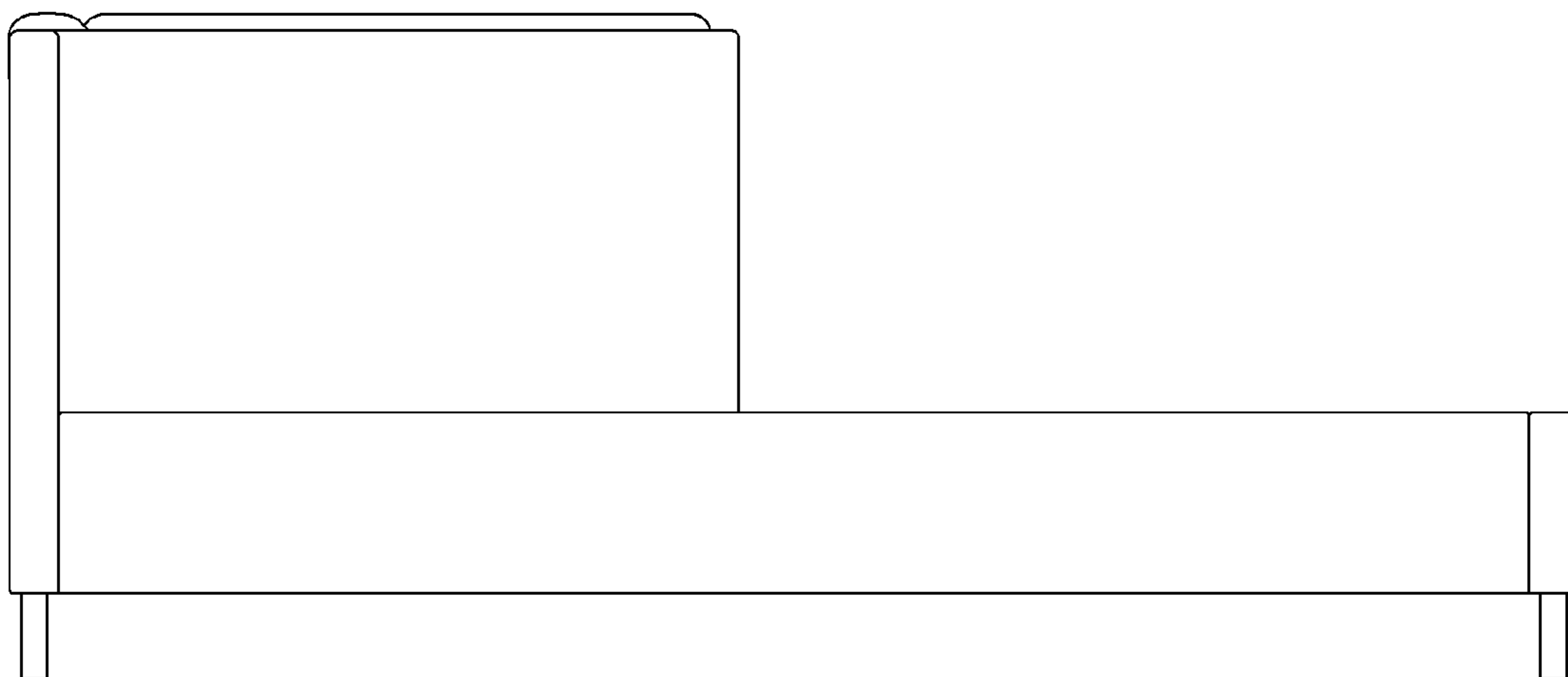


FIG. 11

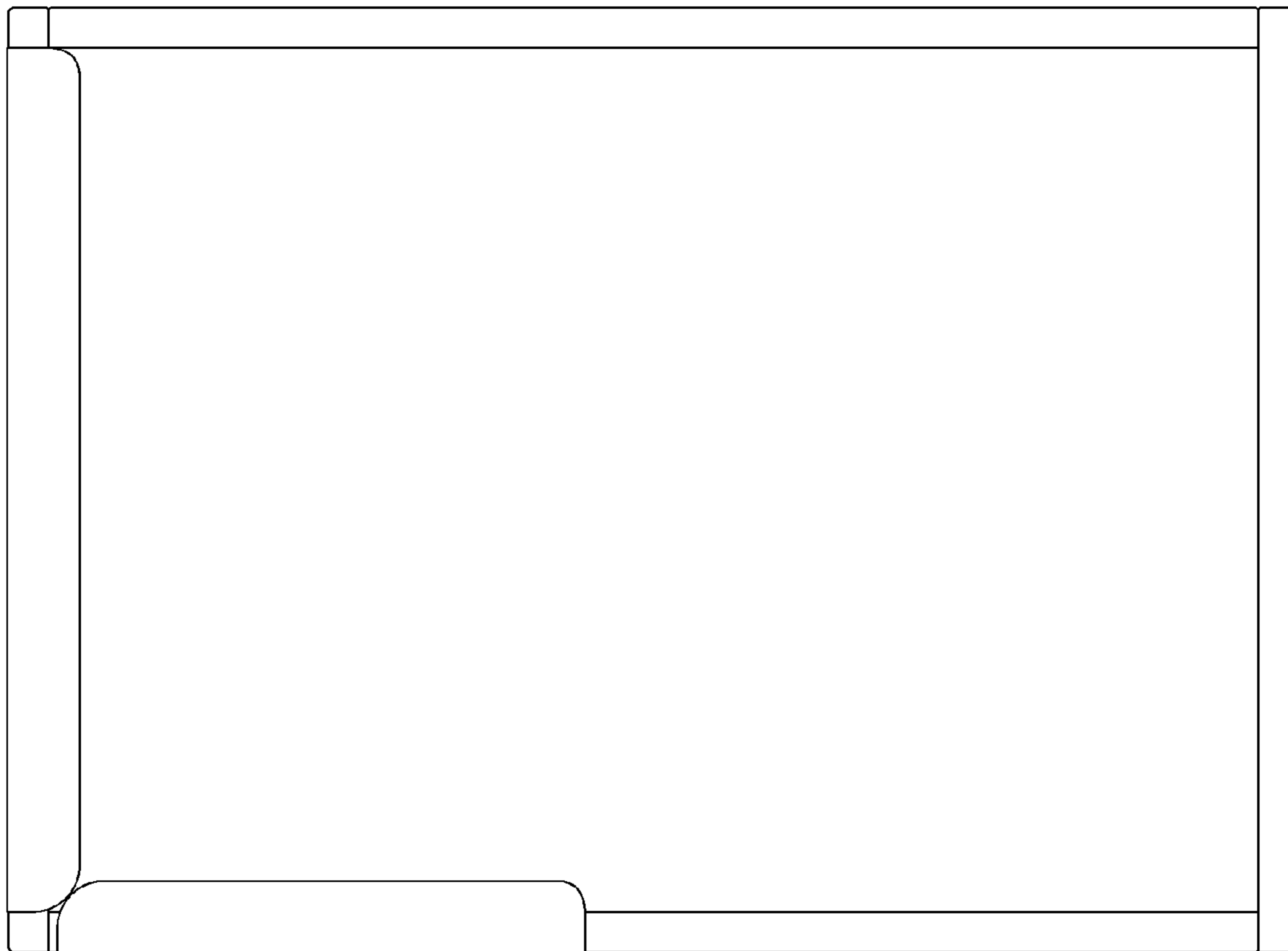


FIG. 12