



US00D687241S

(12) **United States Design Patent**
Beucler et al.

(10) **Patent No.:** **US D687,241 S**
(45) **Date of Patent:** **** Aug. 6, 2013**

(54) **SOFA**

(71) Applicant: **Knoll, Inc.**, East Greenville, PA (US)

(72) Inventors: **Pierre Beucler**, Paris (FR);
Jean-Christophe Poggioli, Paris (FR)

(73) Assignee: **Knoll, Inc.**, East Greenville, PA (US)

(**) Term: **14 Years**

(21) Appl. No.: **29/445,110**

(22) Filed: **Feb. 7, 2013**

(51) **LOC (9) Cl.** **06-01**

(52) **U.S. Cl.**
USPC **D6/381**

(58) **Field of Classification Search**
USPC D6/334–338, 349, 355, 361, 368–370,
D6/376, 379–381, 492, 500–502; 297/16.1,
297/42, 94, 135, 175, 232, 233, 350, 351,
297/445.1, 448.1, 448.2, 451.9; 5/12.1, 12.2
See application file for complete search history.

D365,212 S * 12/1995 Lowman D6/379
D368,378 S * 4/1996 Laslo D6/334
D376,483 S * 12/1996 Yamasaki D6/367
D381,527 S * 7/1997 Williams D6/381
D383,318 S * 9/1997 Chandler D6/334
D392,469 S * 3/1998 De Blaay D6/334
D400,719 S * 11/1998 Gera D6/334
D411,385 S * 6/1999 Christa et al. D6/381
D417,558 S * 12/1999 Staubach et al. D6/334
D430,740 S * 9/2000 Chun D6/334
D439,402 S * 3/2001 Johnson D3/219
D439,420 S * 3/2001 Natuzzi et al. D6/334
D441,979 S * 5/2001 Watson D6/381
D443,991 S * 6/2001 Picotti D6/366
D458,466 S * 6/2002 McCairley D6/365
D475,539 S * 6/2003 Savini D6/334
D492,499 S * 7/2004 Relling et al. D6/381
D498,070 S * 11/2004 Sauer D6/373
D499,270 S * 12/2004 Relling et al. D6/381
D504,782 S * 5/2005 Moser D6/334
D505,561 S * 5/2005 Ricci D6/369
D506,092 S * 6/2005 Moser D6/492
D535,124 S * 1/2007 Garcia D6/492
D543,716 S * 6/2007 Votteler et al. D6/366
D551,875 S * 10/2007 Ricci D6/381

(Continued)

Primary Examiner — Sandra Snapp

(74) *Attorney, Agent, or Firm* — Buchanan Ingersoll & Rooney PC

(56) **References Cited**

U.S. PATENT DOCUMENTS

D187,917 S * 5/1960 Spound D6/334
D222,451 S * 10/1971 Lamb D6/367
D252,060 S * 6/1979 Prevost D6/334
D253,439 S * 11/1979 Prevost D6/334
D261,702 S * 11/1981 Whalen D6/334
D278,581 S * 4/1985 Melchior D6/373
D288,505 S * 3/1987 Yamasaki D6/360
D306,662 S * 3/1990 Gera D6/381
D318,183 S * 7/1991 Fister, Jr. D6/334
D318,576 S * 7/1991 Fister, Jr. D6/334
D336,376 S * 6/1993 Hollington D6/334
D340,142 S * 10/1993 Totoro D6/367
D341,728 S * 11/1993 Grosfillex D6/379
D360,309 S * 7/1995 Lowman D6/334

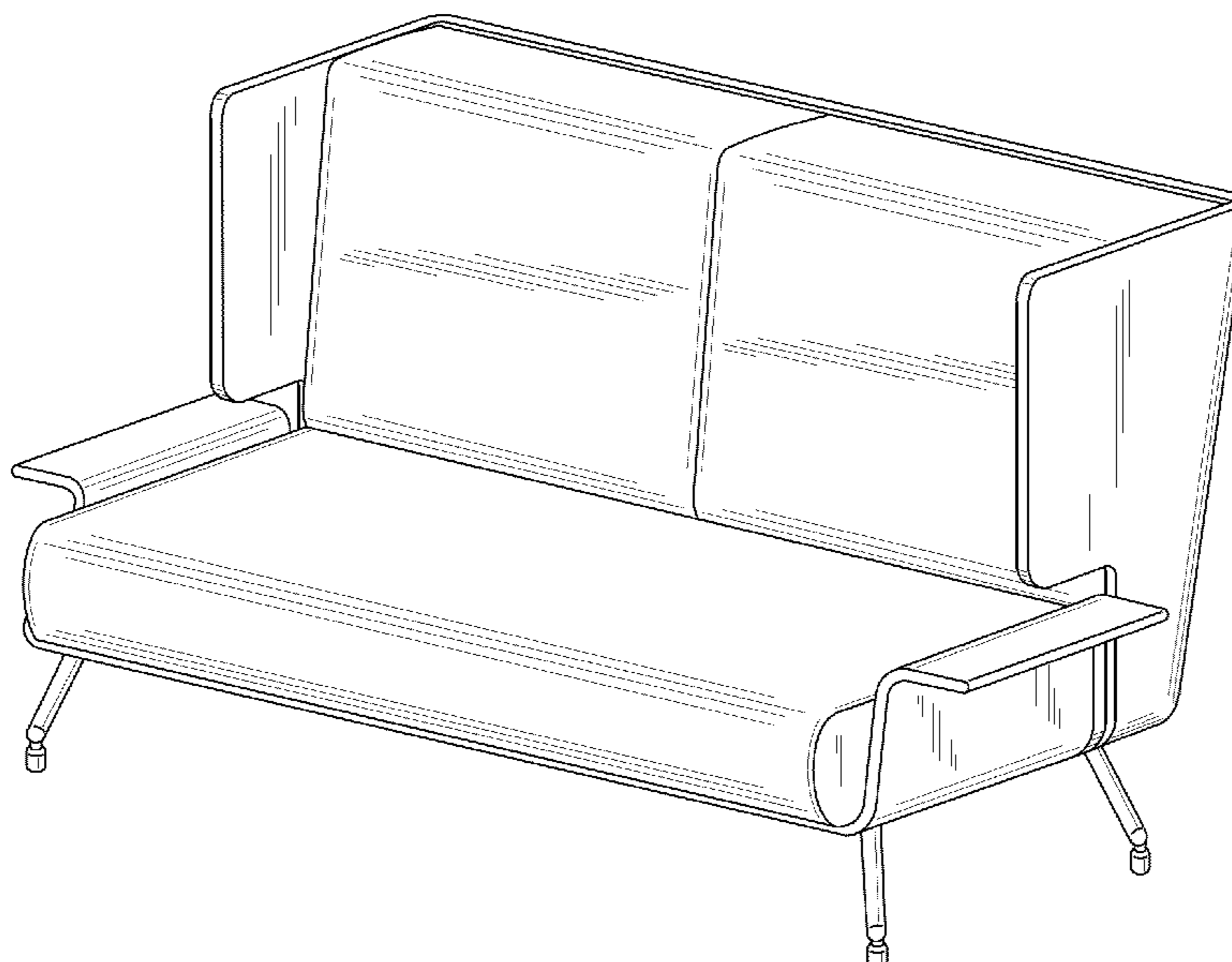
(57) **CLAIM**

The ornamental design for a sofa, as shown and described.

DESCRIPTION

FIG. 1 is a perspective view of a sofa showing our new design;
FIG. 2 is a front elevational view thereof;
FIG. 3 is a rear elevational view thereof;
FIG. 4 is a top plan view thereof;
FIG. 5 is a right side elevational view thereof; and,
FIG. 6 is a left side elevational view thereof.

1 Claim, 5 Drawing Sheets



US D687,241 S

Page 2

U.S. PATENT DOCUMENTS

D554,917 S *	11/2007	Hutton	D6/502	D616,657 S *	6/2010	Denton	D6/367
D558,468 S *	1/2008	Lade	D6/334	D626,756 S *	11/2010	Flender et al.	D6/334
D558,469 S *	1/2008	Lade	D6/334	D630,450 S *	1/2011	Wold	D6/381
D577,498 S *	9/2008	Schmitt	D6/334	D633,312 S *	3/2011	Wold	D6/381
D606,325 S *	12/2009	Gharabegian	D6/334	D633,725 S *	3/2011	Massaud	D6/334
D616,215 S *	5/2010	Andersen	D6/381	D633,726 S *	3/2011	Wold	D6/381
D616,656 S *	6/2010	Denton	D6/367	D633,727 S *	3/2011	Wold	D6/381

* cited by examiner

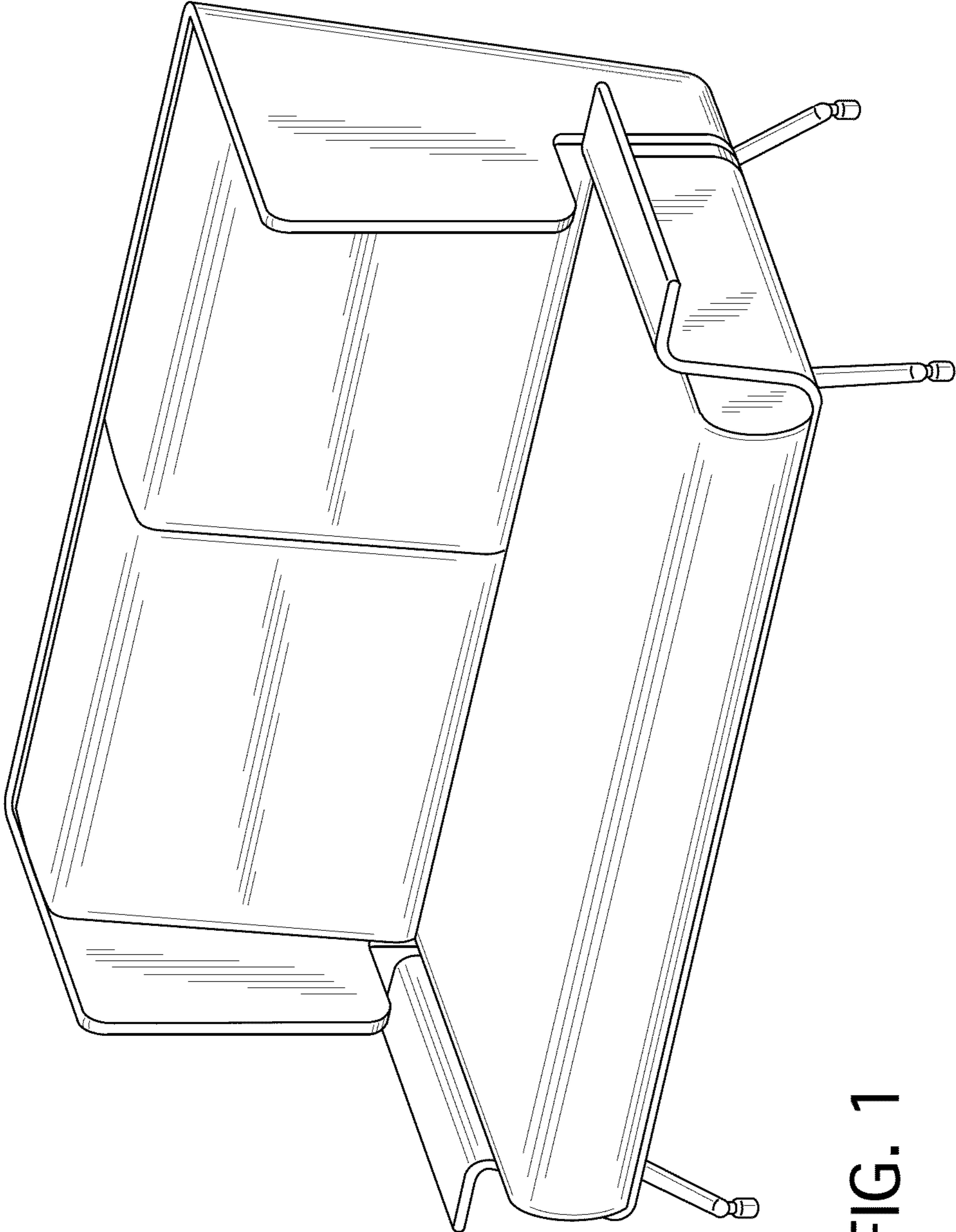


FIG. 1

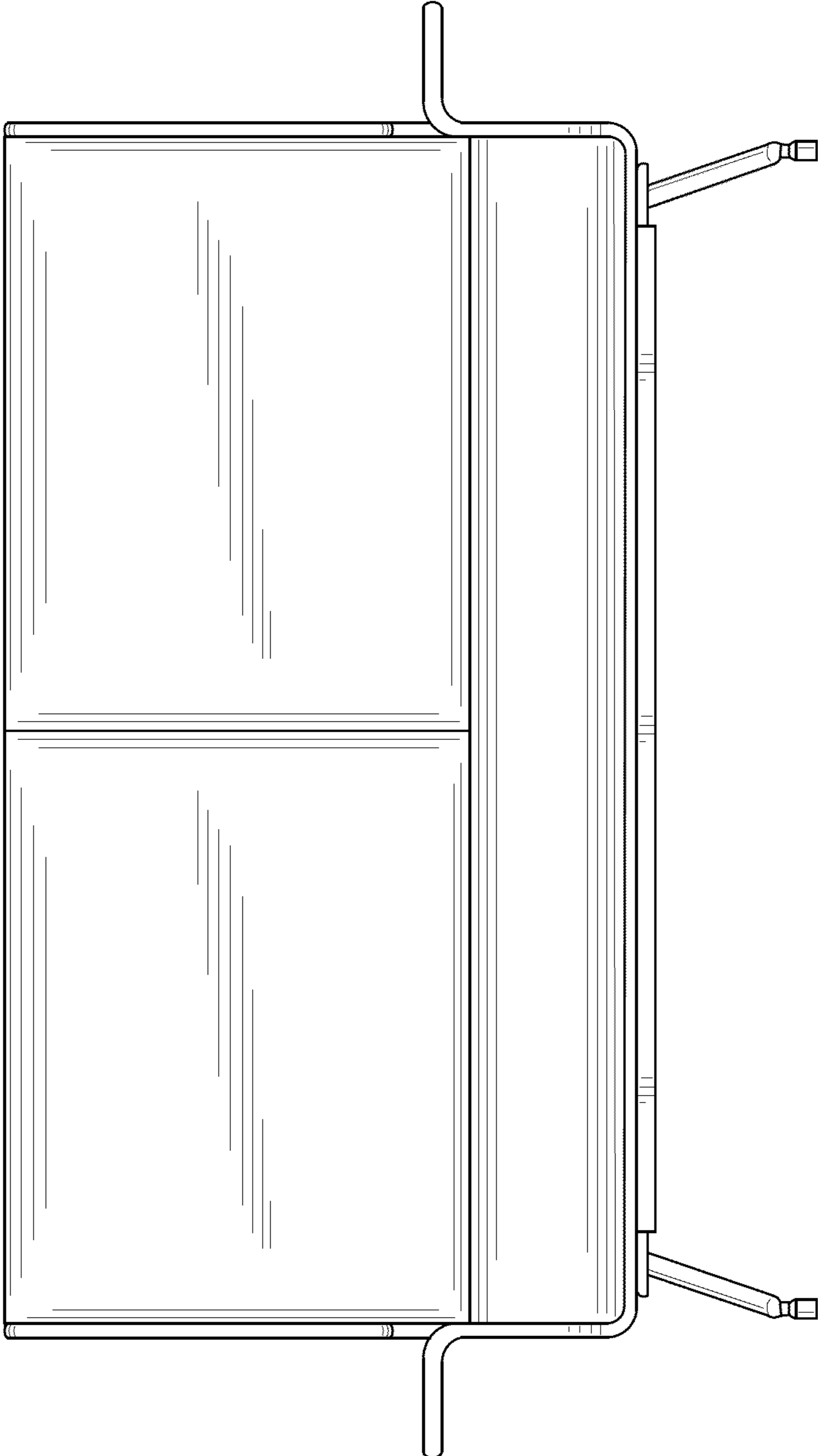


FIG. 2

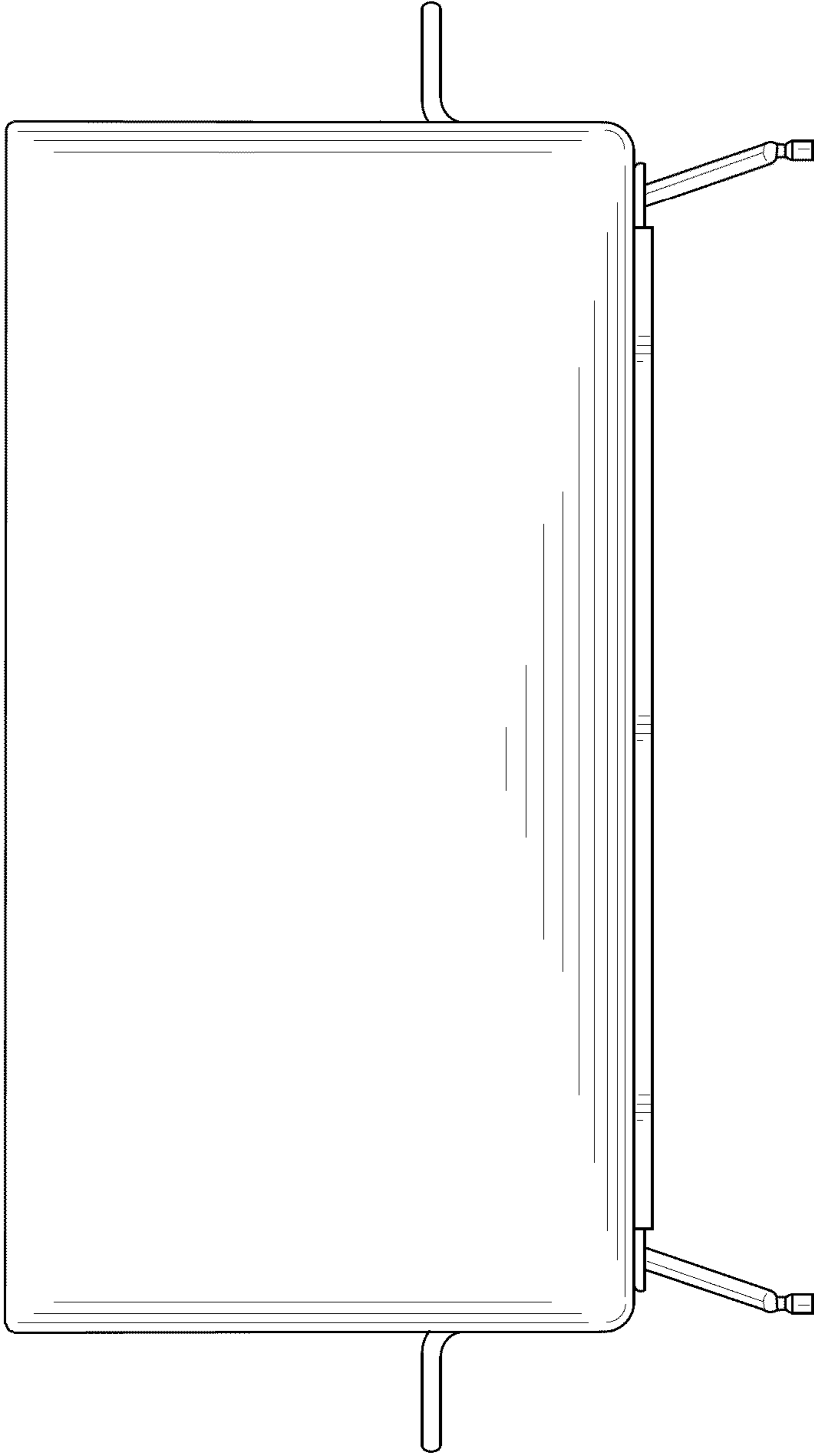


FIG. 3

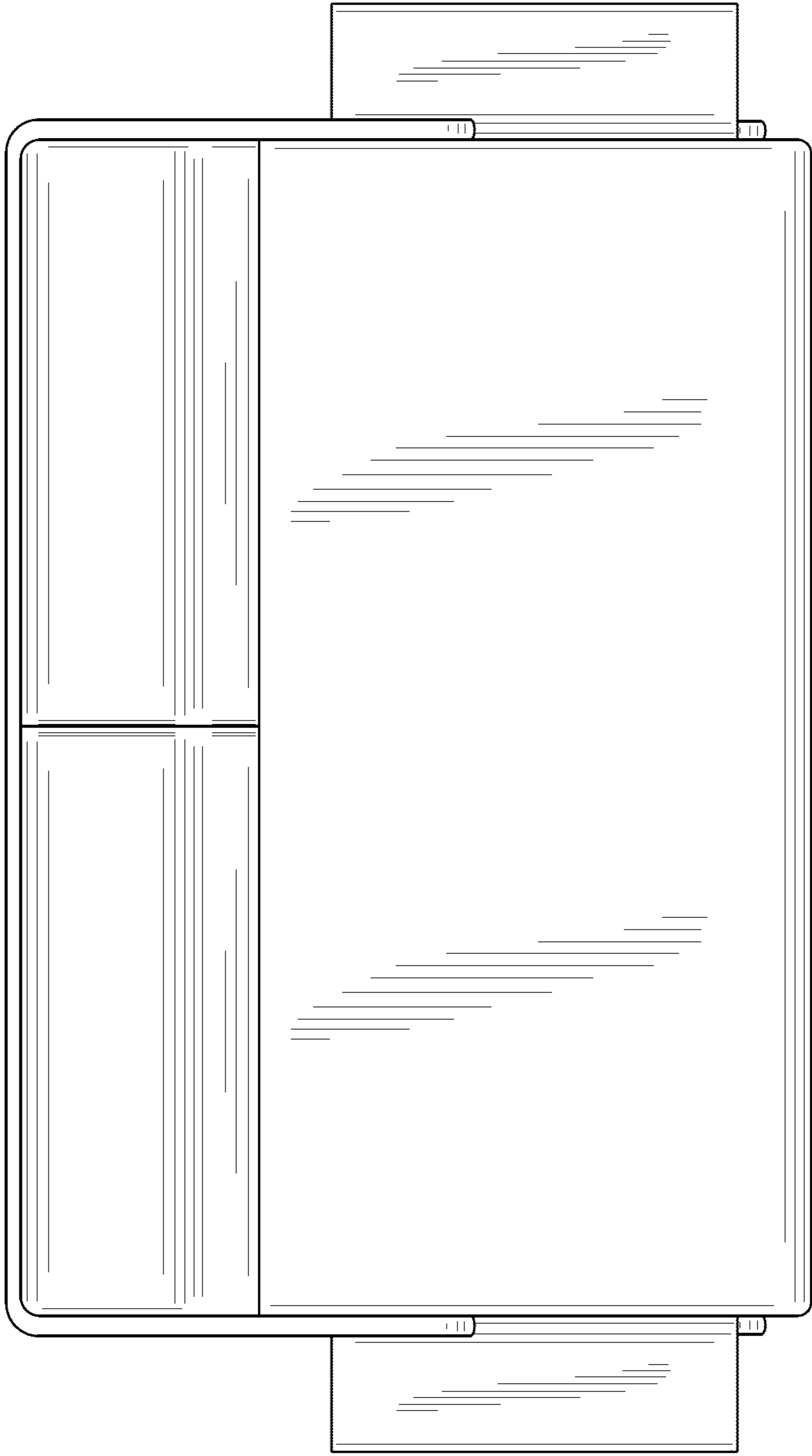


FIG. 4

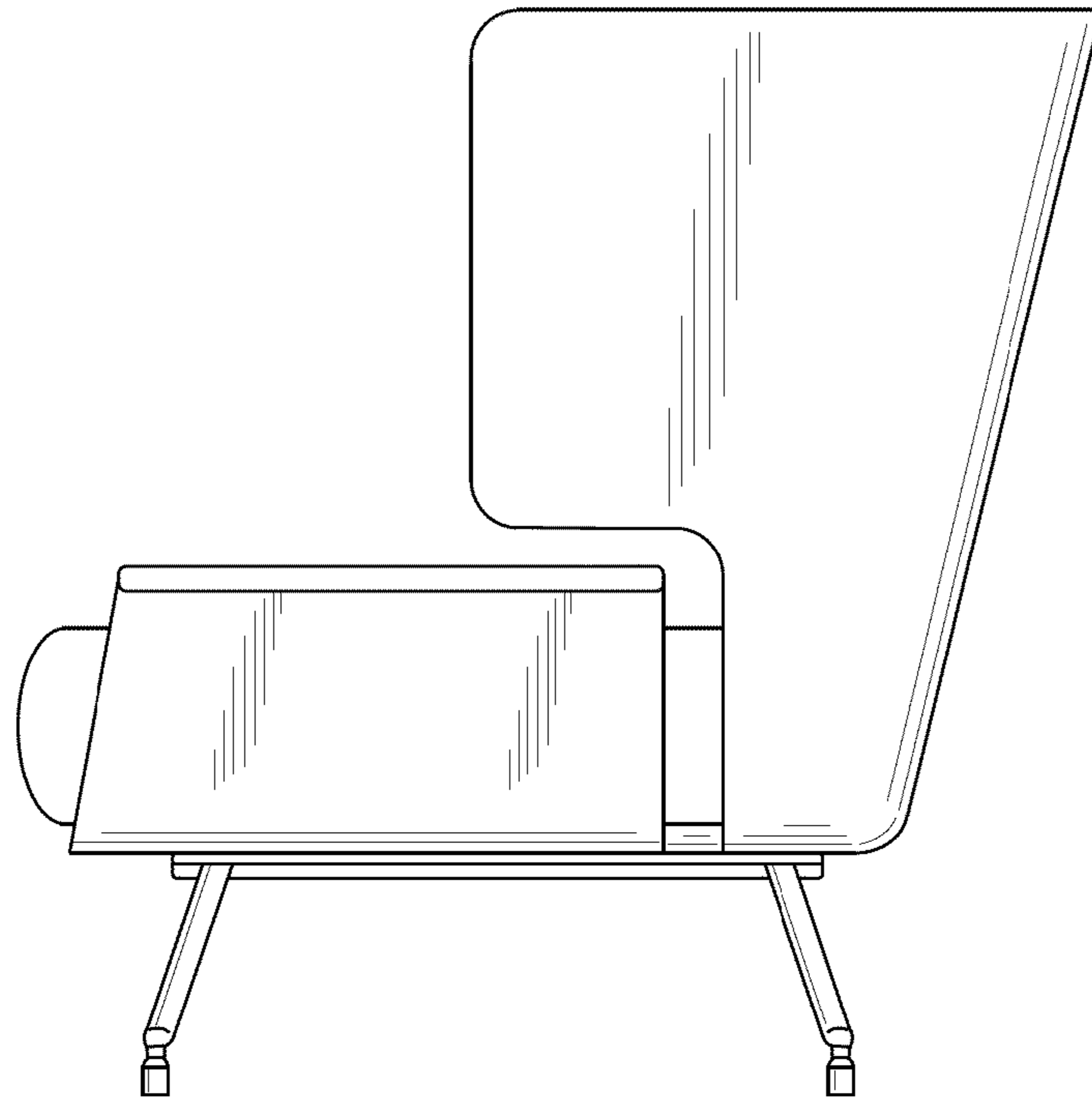


FIG. 5

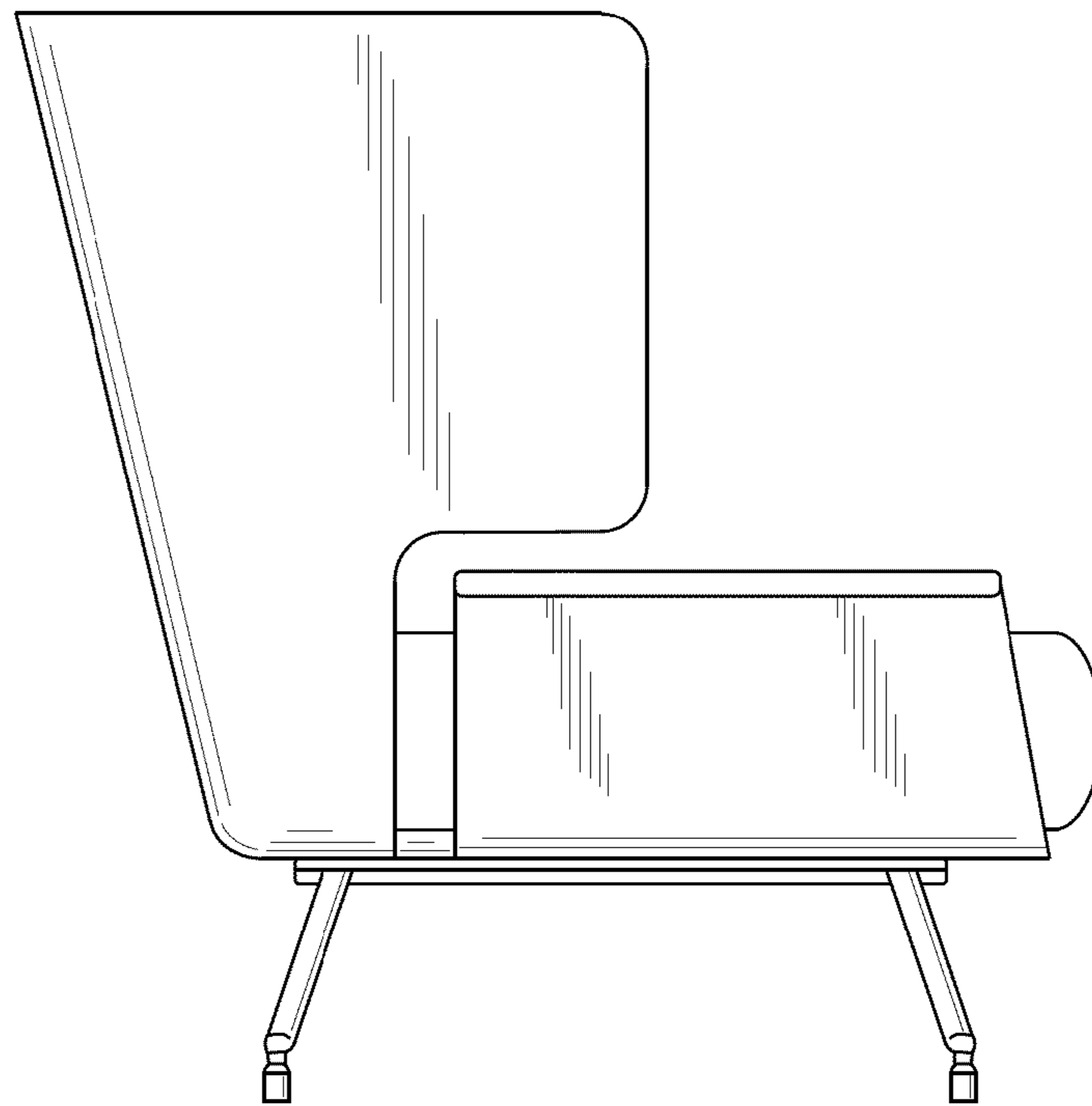


FIG. 6