



US00D687240S

(12) **United States Design Patent**
James

(10) **Patent No.:** **US D687,240 S**
(45) **Date of Patent:** **** Aug. 6, 2013**

(54) **CHAIR**

(75) Inventor: **Gary W. James**, Dove Canyon, CA (US)

(73) Assignee: **Standard Furniture Manufacturing Co., Inc.**, Bay Minette, AL (US)

(**) Term: **14 Years**

(21) Appl. No.: **29/416,255**

(22) Filed: **Mar. 20, 2012**

(51) **LOC (9) Cl.** **06-01**

(52) **U.S. Cl.**
USPC **D6/379**

(58) **Field of Classification Search**
USPC D6/334-336, 360, 369, 374, 376,
D6/379, 380, 716, 716.1, 716.2, 716.3, 716.4;
297/411.28, 445.1, 446.1, 446.2, 451.9, 452.18,
297/452.64
See application file for complete search history.

(56) **References Cited**

U.S. PATENT DOCUMENTS

D380,310 S *	7/1997	Diaz-Azcuy	D6/369
D430,418 S *	9/2000	O'Hare	D6/379
D445,584 S *	7/2001	O'Hare et al.	D6/379
D524,567 S *	7/2006	Vanderminde	D6/376

D530,945 S *	10/2006	Darafeev	D6/716
D600,036 S *	9/2009	Domack et al.	D6/380
D601,363 S *	10/2009	Lowsky	D6/379

* cited by examiner

Primary Examiner — Mimoso De

(57) **CLAIM**

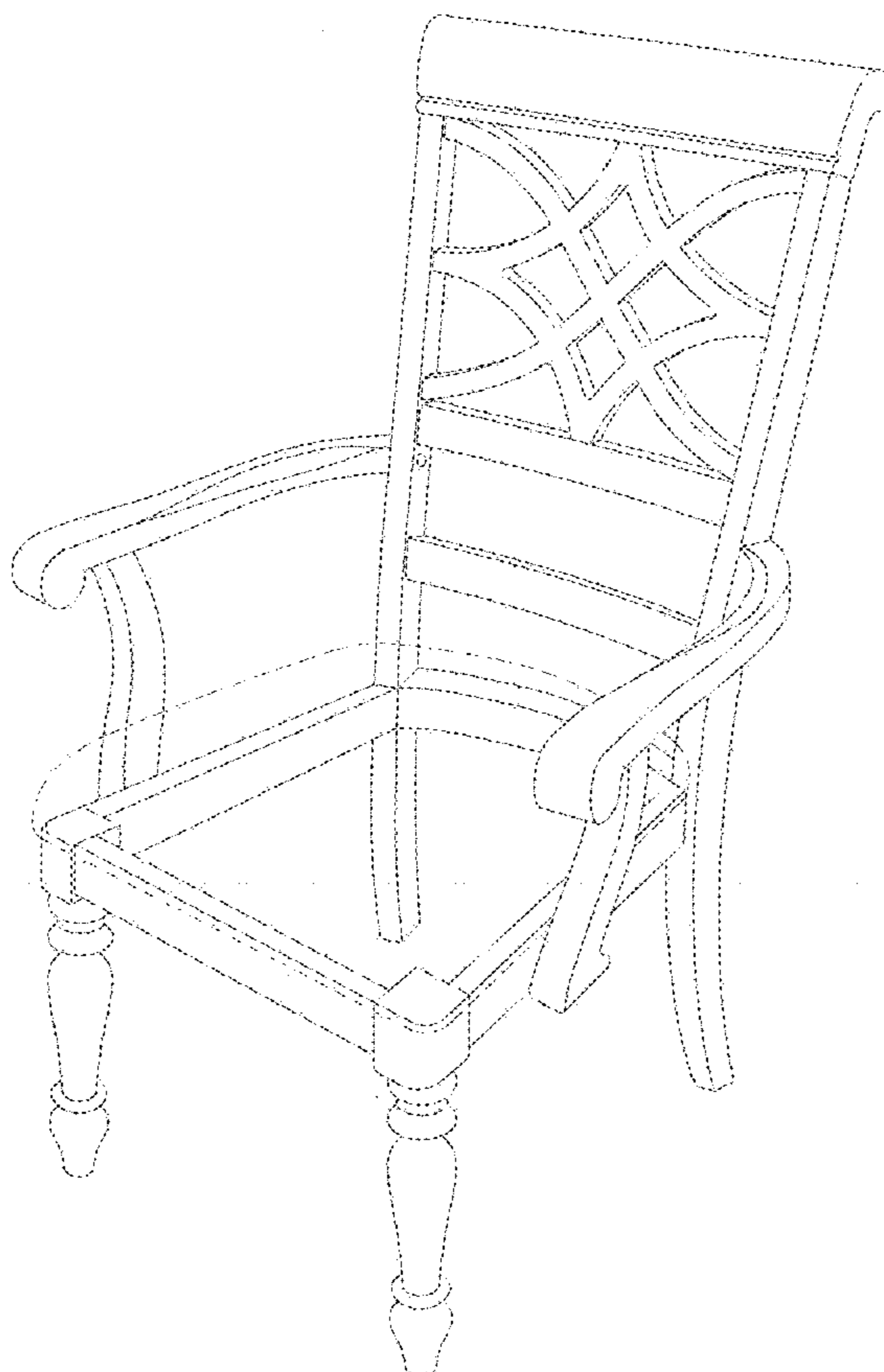
I claim the ornamental design for a chair, as shown and described.

DESCRIPTION

FIG. 1 is a perspective view of a chair illustrating the claimed design;
FIG. 2 is a front side view of the design of the chair shown in FIG. 1;
FIG. 3 is a left side view of the design of the chair shown in FIG. 1;
FIG. 4 is a right side view of the design of the chair shown in FIG. 1;
FIG. 5 is a back side view of the design of the chair shown in FIG. 1;
FIG. 6 is a top view of the design of the chair shown in FIG. 1; and,
FIG. 7 is a bottom view of the design of the chair shown in FIG. 1.

The broken lines in the drawings are for illustrative purposes only and form no part of the claimed design.

1 Claim, 7 Drawing Sheets



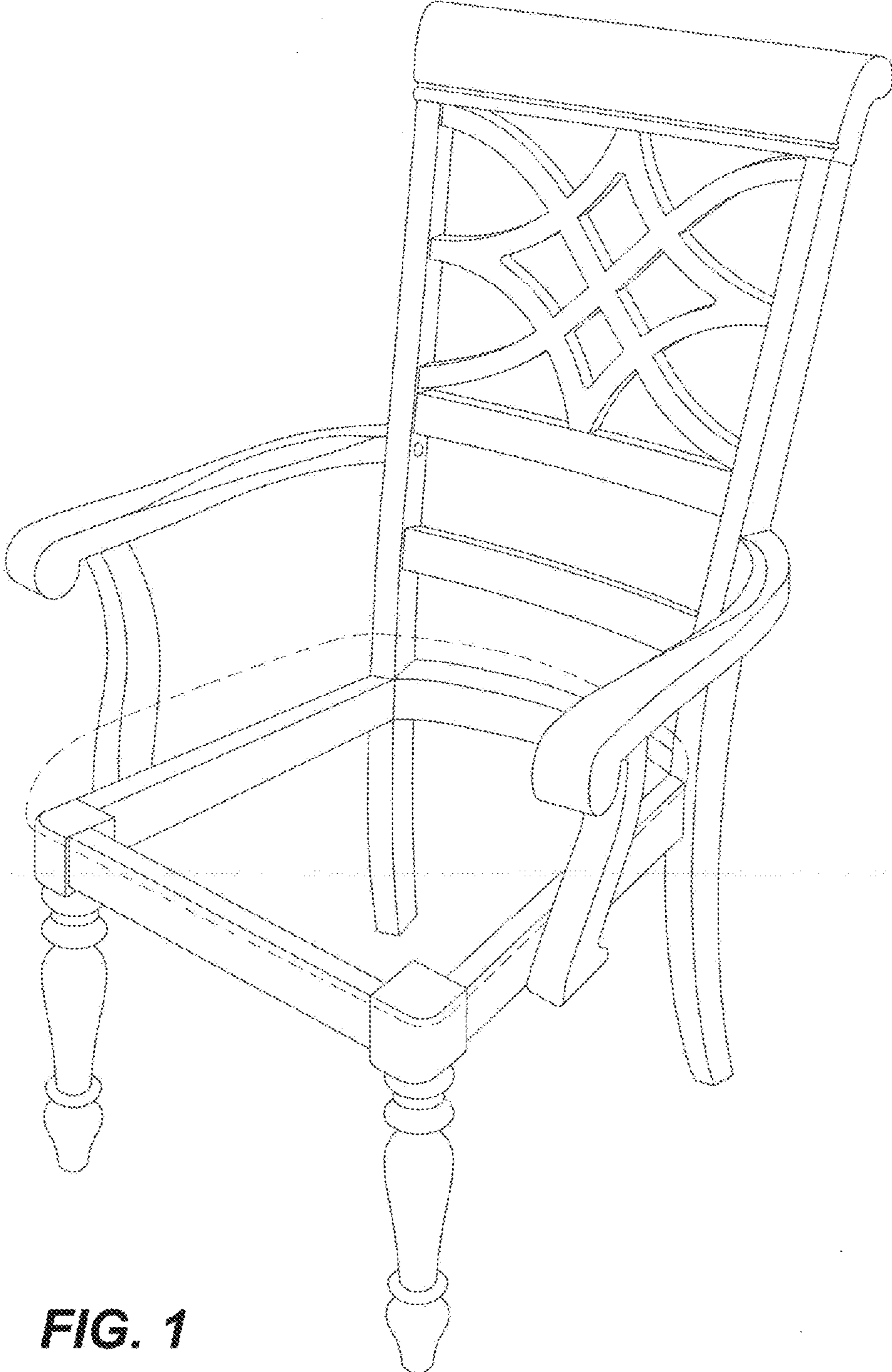


FIG. 1

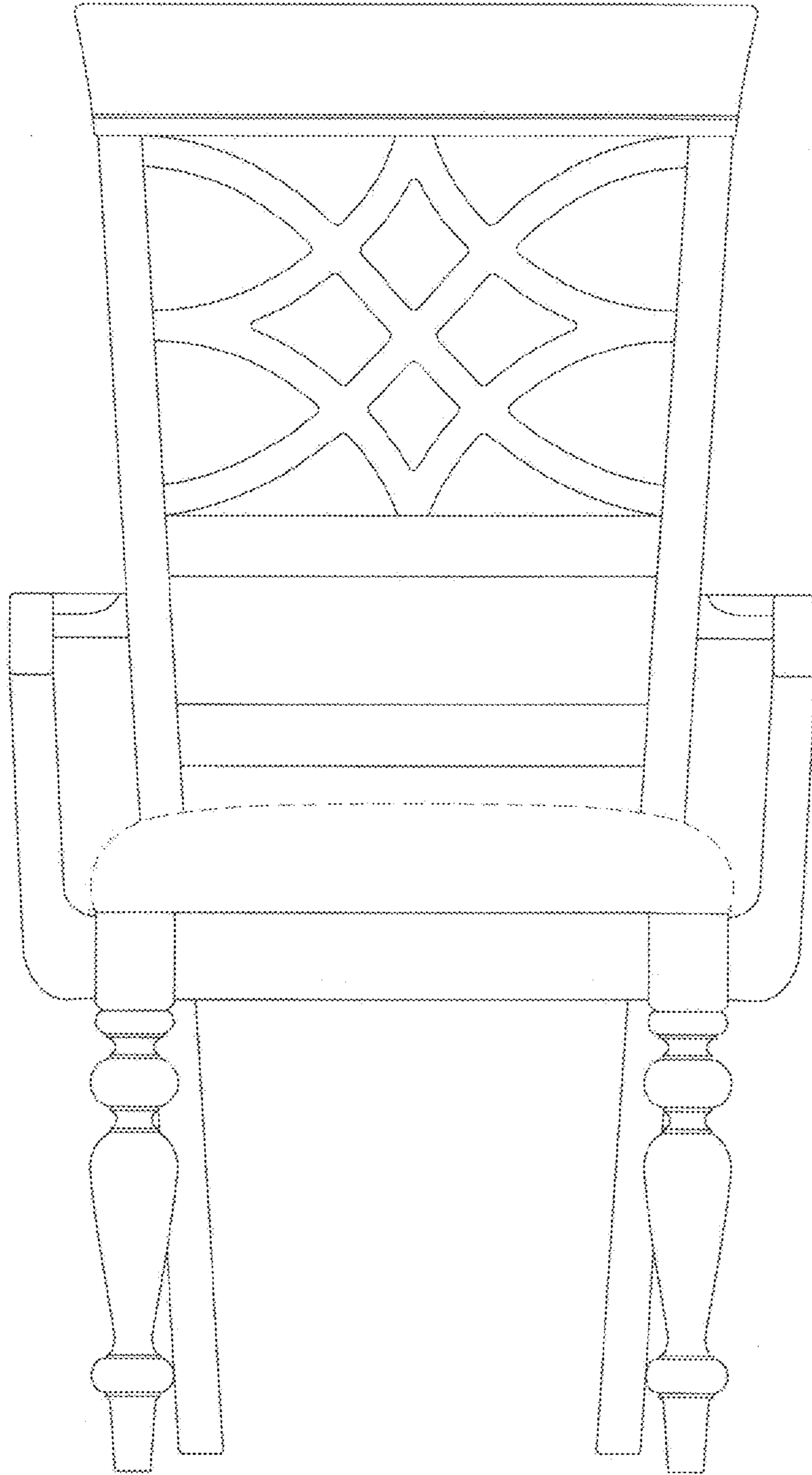


FIG. 2

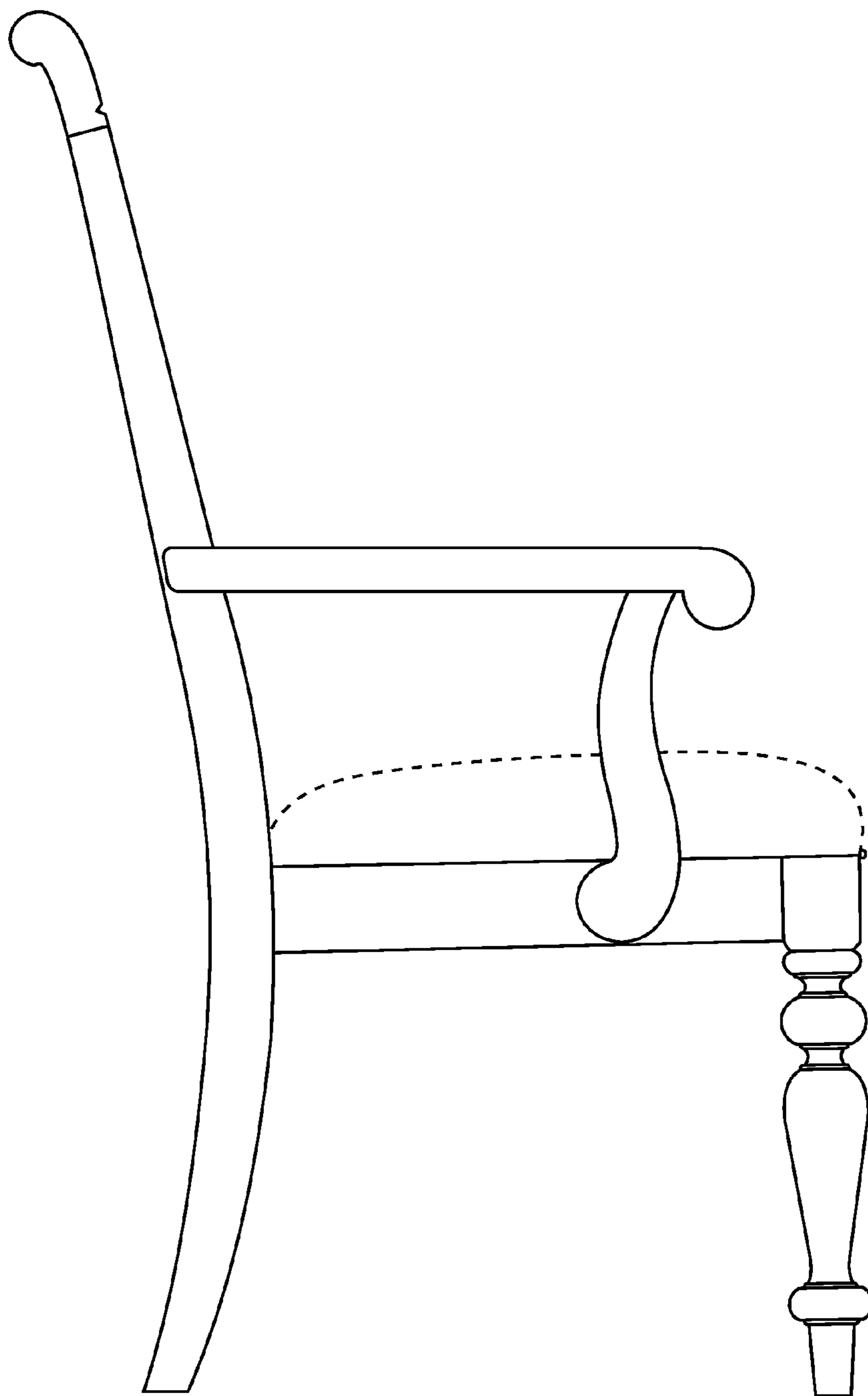


FIG. 3

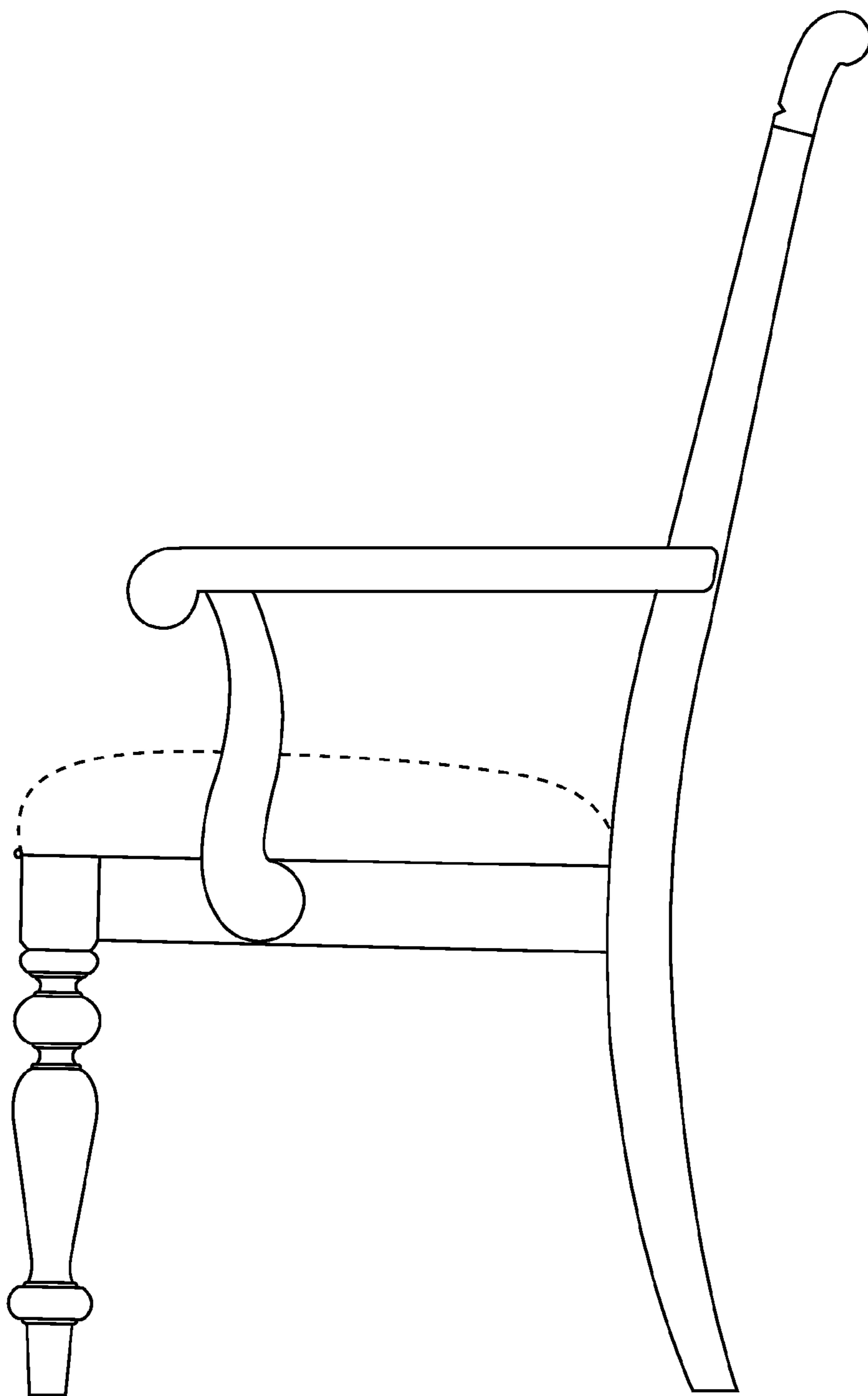


FIG. 4

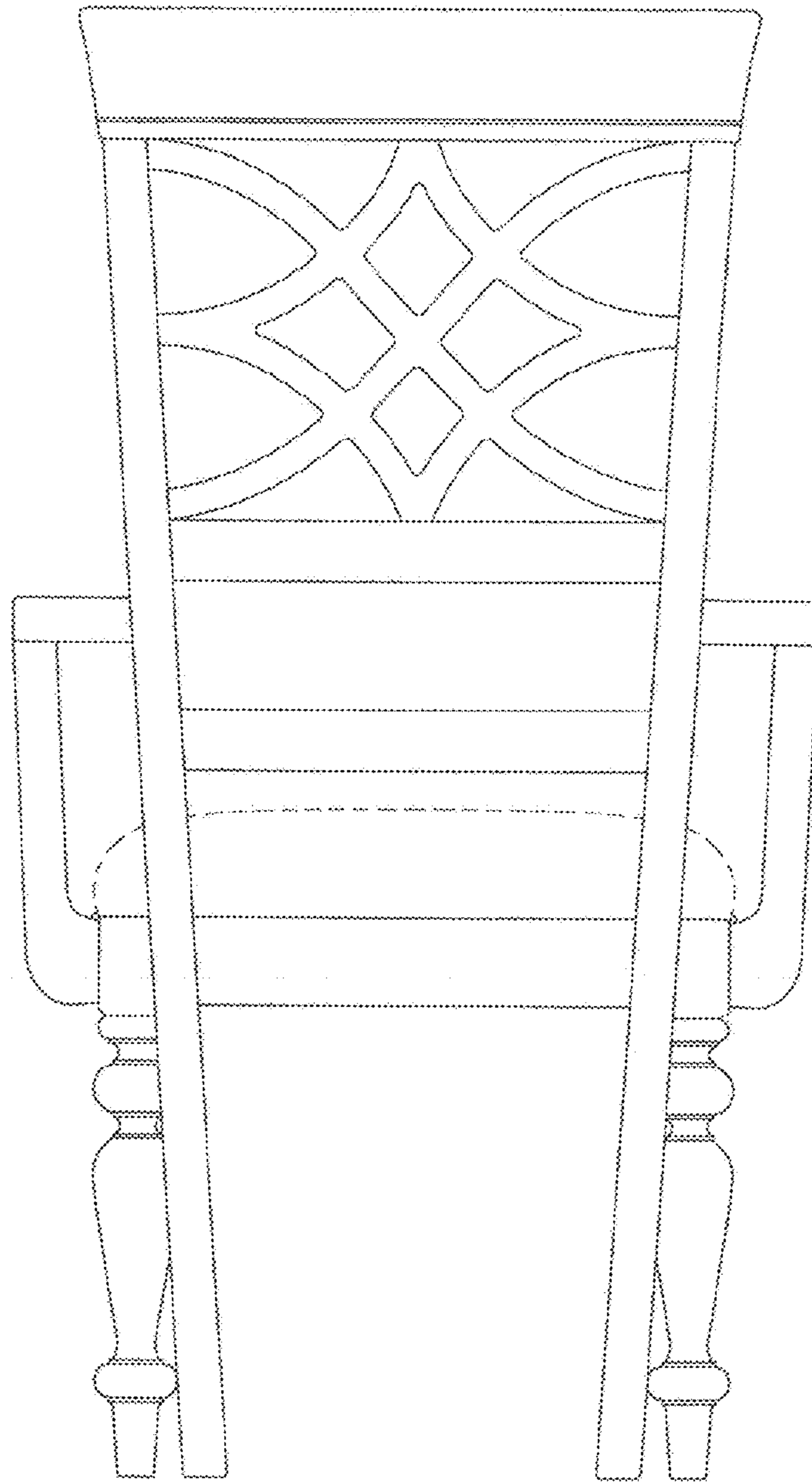


FIG. 5

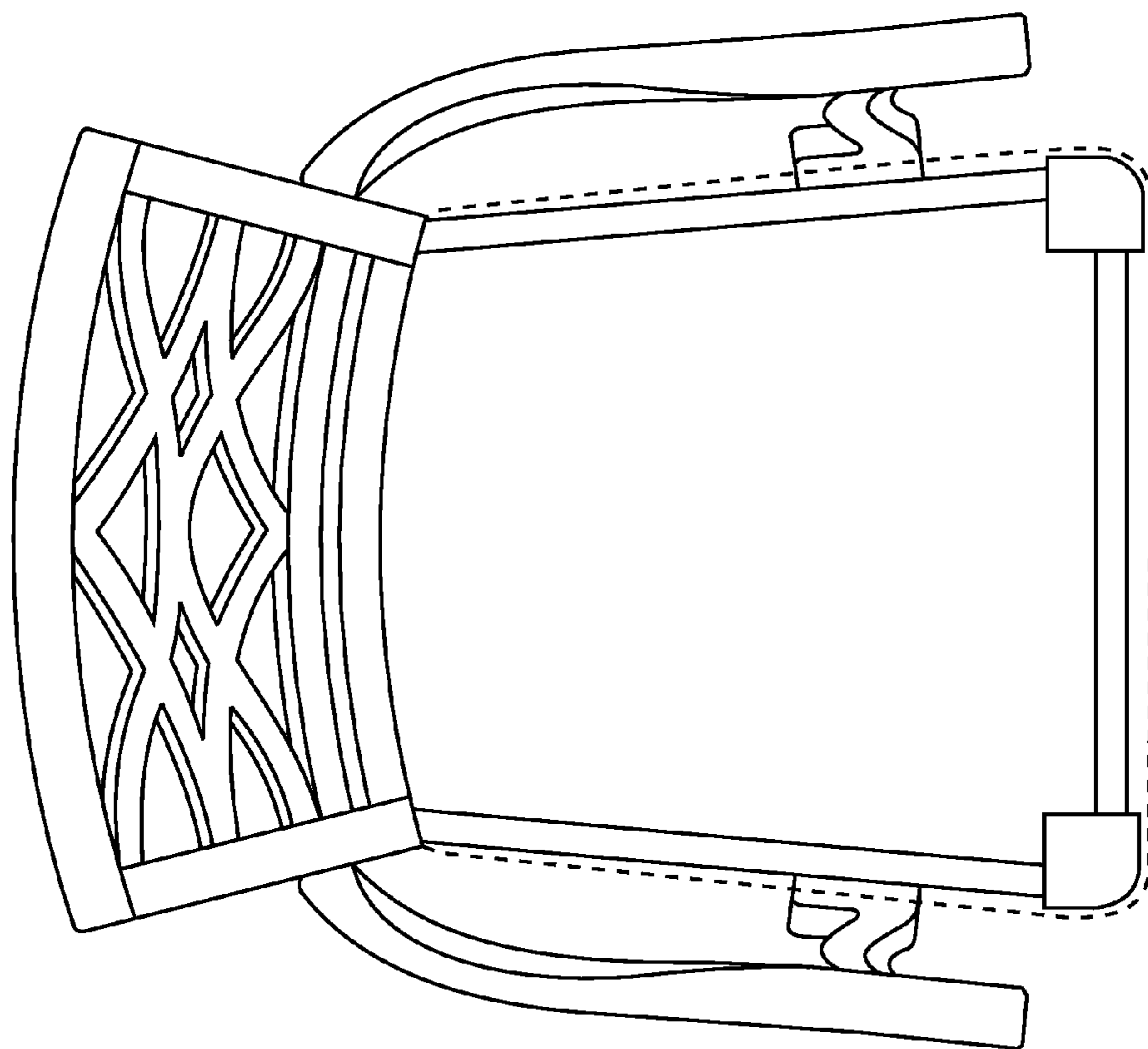


FIG. 6

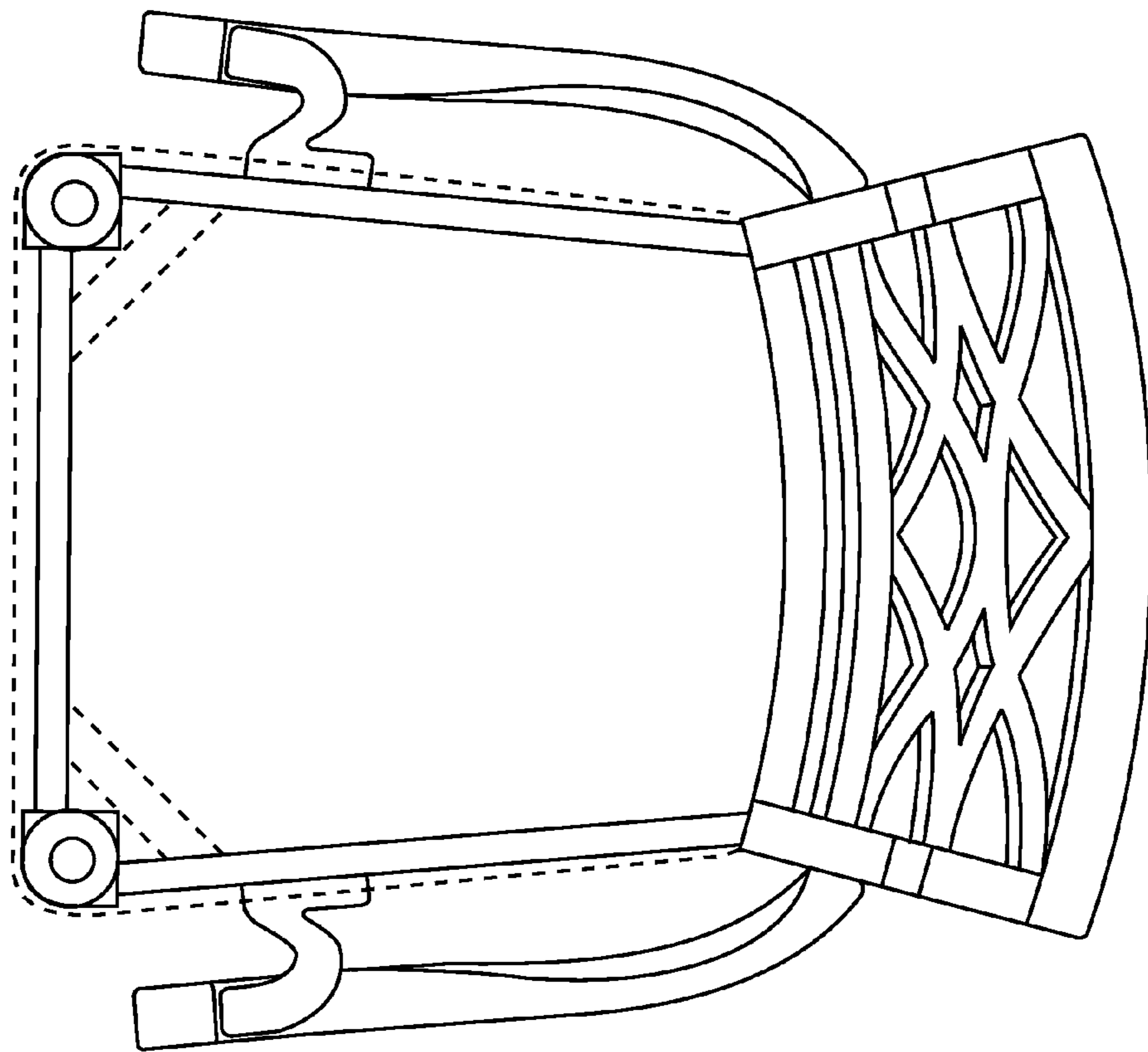


FIG. 7