



US00D687238S

(12) **United States Design Patent**
Pedersen et al.

(10) **Patent No.:** **US D687,238 S**
(45) **Date of Patent:** **** Aug. 6, 2013**

(54) **CHAIR**

(75) Inventors: **Sara L. Pedersen**, Minneapolis, MN (US); **Stephanie A. Grotta**, Minneapolis, MN (US); **Joshua A. Hughes**, Delano, MN (US); **Zheng Gao**, Jiashan (CN); **Pan Liangzhang**, Jiashan (CN)

(73) Assignee: **Target Brands, Inc.**, Minneapolis, MN (US)

(**) Term: **14 Years**

(21) Appl. No.: **29/409,808**

(22) Filed: **Dec. 29, 2011**

(51) **LOC (9) Cl.** **06-01**

(52) **U.S. Cl.**
USPC **D6/376; D6/369**

(58) **Field of Classification Search**
USPC D6/334-336, 344-353, 359-381, D6/388, 403, 491-502, 692, 708, 716, 716.2-716.4, 717; 297/16.1, 22, 31, 35, 217.1, 297/228.12, 239, 256.16, 271.6, 284.4-284.5, 297/291, 297, 302.4, 411.2, 411.27-411.29, 297/411.43, 423.1, 423.12, 440.11, 440.15, 297/440.24, 448.1, 451.4, 452.13, 452.19, 297/452.21, 452.27, 452.29, 452.3, 452.41, 297/452.56, 452.64

See application file for complete search history.

(56) **References Cited**

U.S. PATENT DOCUMENTS

D82,938 S * 12/1930 Hauser D6/359
D105,172 S 3/1937 Hauser

(Continued)

OTHER PUBLICATIONS

Agio Charleston Furniture Set, photographs taken at Costco Wholesale Corporation on Feb. 21, 2010, 4 pages.

(Continued)

Primary Examiner — Ricky Pham

(74) *Attorney, Agent, or Firm* — Leanne Taveggia Farrell; Westman, Champlin & Kelly, P.A.

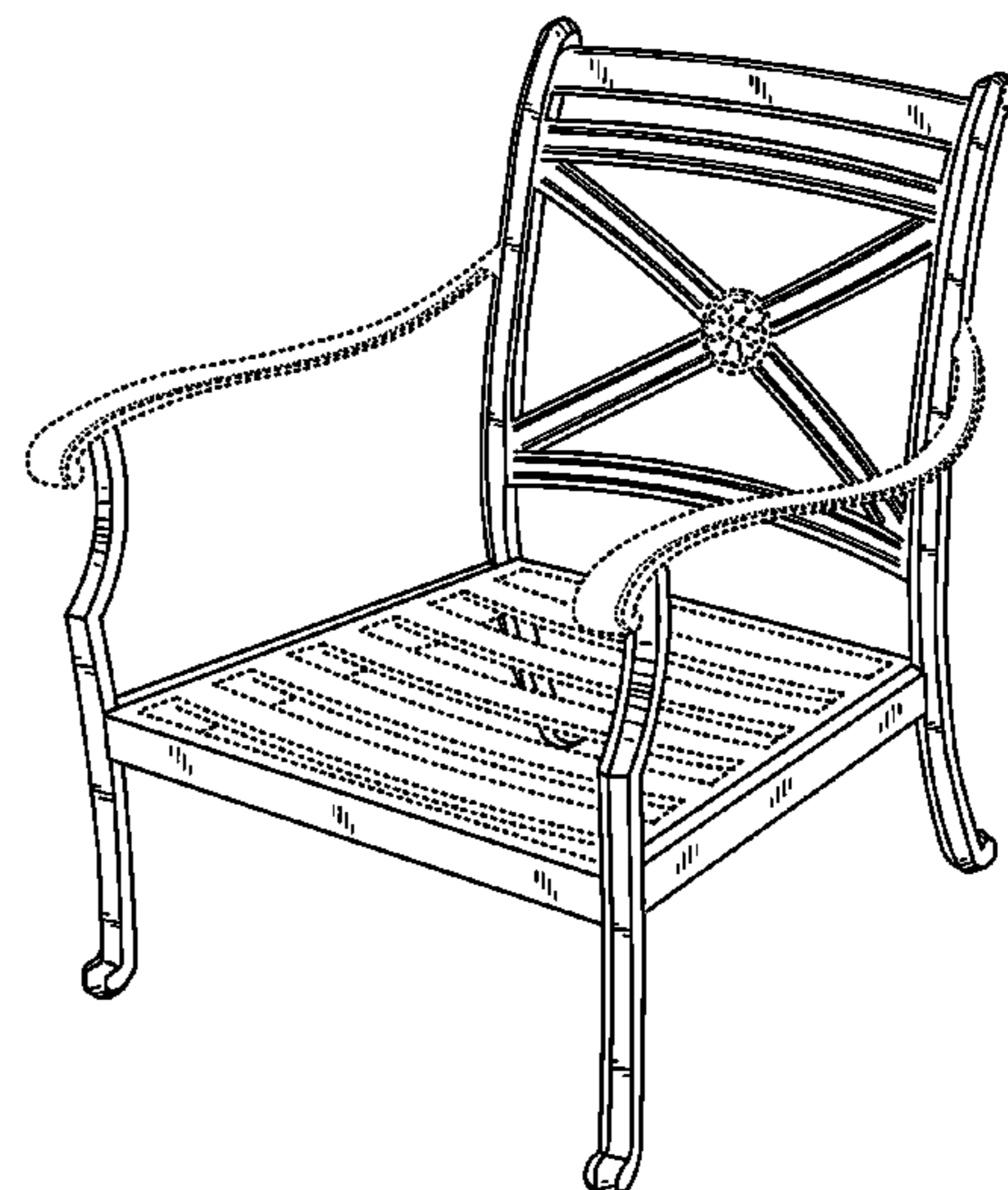
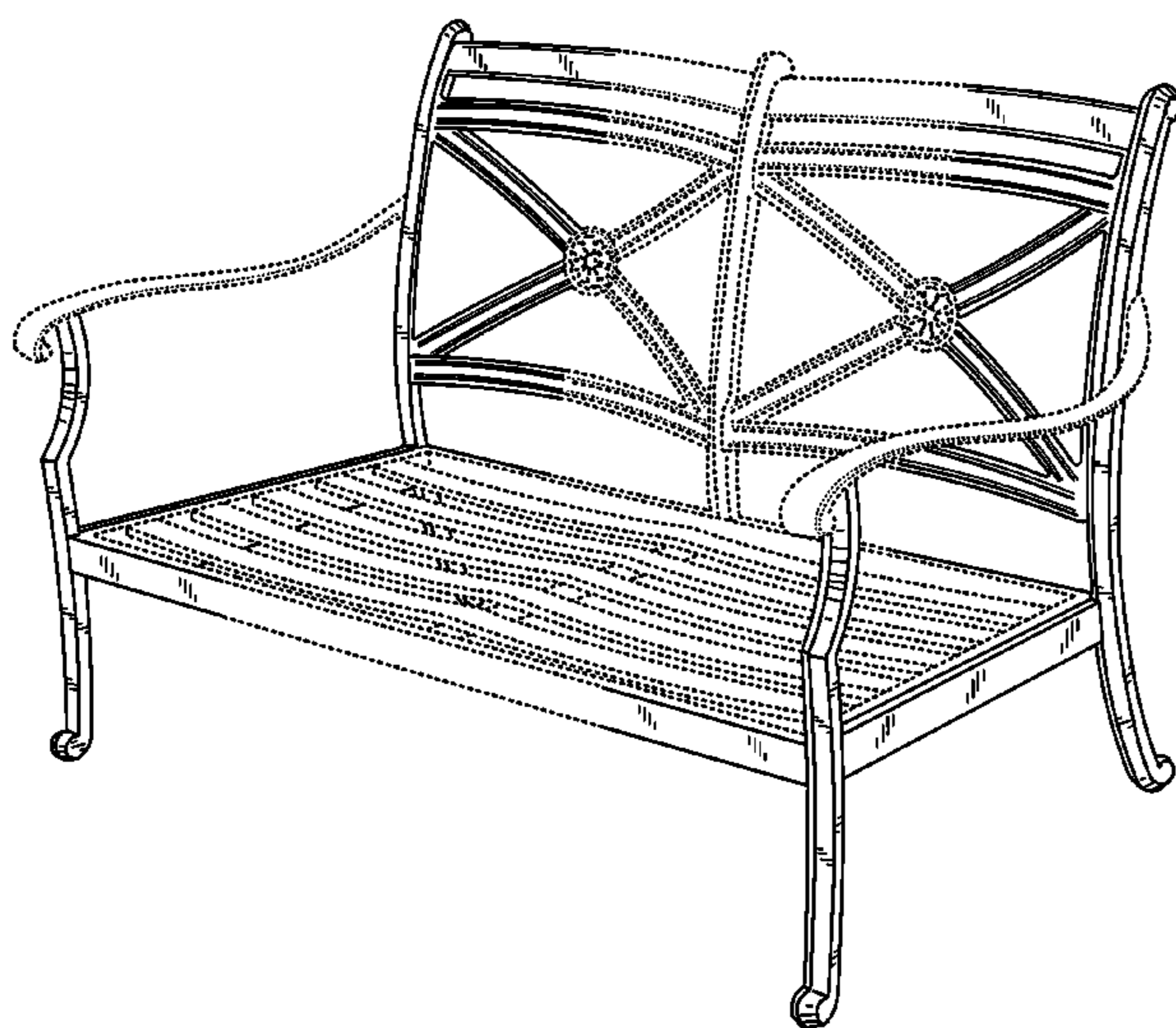
(57) **CLAIM**

The ornamental design for a chair, as shown and described.

DESCRIPTION

FIG. 1 is a perspective view of a first embodiment of the chair; FIG. 2 is a right side view of the chair illustrated in FIG. 1; FIG. 3 is a left side view of the chair illustrated in FIG. 1; FIG. 4 is a front view of the chair illustrated in FIG. 1; FIG. 5 is a back view of the chair illustrated in FIG. 1; FIG. 6 is a top view of the chair illustrated in FIG. 1; FIG. 7 is a bottom view of the chair illustrated in FIG. 1; FIG. 8 is a perspective view of a second embodiment of the chair; FIG. 9 is a right side view of the chair illustrated in FIG. 8; FIG. 10 is a left side view of the chair illustrated in FIG. 8; FIG. 11 is a front view of the chair illustrated in FIG. 8; FIG. 12 is a back view of the chair illustrated in FIG. 8; FIG. 13 is a top view of the chair illustrated in FIG. 8; and, FIG. 14 is a bottom view of the chair illustrated in FIG. 8. The broken lines shown in the drawings are for illustrative purposes only and form no part of the claimed design.

1 Claim, 8 Drawing Sheets



US D687,238 S

Page 2

U.S. PATENT DOCUMENTS

D316,491 S * 4/1991 Frinier D6/379
D341,266 S 11/1993 Caldwell
D342,391 S * 12/1993 Caldwell D6/376
D352,840 S * 11/1994 Alchin D6/376
D356,450 S * 3/1995 Weiss D6/376
D369,477 S * 5/1996 Arthur, Jr. D6/379
D371,684 S * 7/1996 Caldwell D6/376
D371,685 S * 7/1996 Caldwell D6/376
D373,031 S 8/1996 Martin
D376,938 S * 12/1996 Caldwell D6/501
D383,616 S 9/1997 Caldwell
D388,969 S * 1/1998 Goodman D6/376
D417,345 S * 12/1999 Bell et al. D6/376
D423,243 S * 4/2000 Massie et al. D6/376
D423,806 S 5/2000 Tseng
D426,718 S * 6/2000 Gaylord et al. D6/376
D426,975 S * 6/2000 Gaylord et al. D6/376
D440,065 S * 4/2001 Goodman D6/376
D442,383 S * 5/2001 Bell D6/375
D448,195 S * 9/2001 Caldwell D6/376
D449,175 S * 10/2001 Lin D6/369
D454,710 S * 3/2002 Tseng D6/376
D485,448 S * 1/2004 Tseng D6/365
D486,655 S * 2/2004 Tseng D6/365
D486,971 S * 2/2004 Tseng D6/376
D491,738 S * 6/2004 Vanderminden D6/376
D517,339 S * 3/2006 Tseng D6/376
D522,767 S 6/2006 Camp, Jr. et al.
D523,652 S * 6/2006 Bell D6/376

D526,501 S * 8/2006 Tseng D6/376
D526,503 S * 8/2006 Chen D6/376
D526,795 S * 8/2006 Tseng D6/360
D526,800 S * 8/2006 Tseng D6/370
D528,313 S * 9/2006 Chen D6/360
D528,315 S * 9/2006 Tseng D6/365
D528,809 S * 9/2006 Chen D6/360
D528,814 S * 9/2006 Tseng D6/376
D532,212 S 11/2006 Bell
D534,006 S * 12/2006 Tseng D6/376
D544,226 S * 6/2007 Doughty D6/370
D547,962 S 8/2007 Ko
D572,494 S * 7/2008 Lowsky D6/370
D666,019 S * 8/2012 Lowsky D6/376
D672,987 S * 12/2012 Hallberg et al. D6/716
D675,464 S * 2/2013 Pedersen et al. D6/716

OTHER PUBLICATIONS

Thos. Baker, "Hedges Club Chair," 1 page, <http://www.thosbaker.com/hedges-club-chair?sc=21&category=33292> (last visited Dec. 28, 2011).

Thos. Baker, "Hedges Sofa," 1 page, <http://www.thosbaker.com/hedges-sofa?sc=21&category=33292> (last visited Dec. 28, 2011).

Target "Smith & Hawken Allogio Outdoor Collection" brochure, pp. 1-4, Jan. 2, 2011.

Office Action from Canadian Patent Application No. 143,839, mailed Apr. 18, 2013 (2 pages).

* cited by examiner

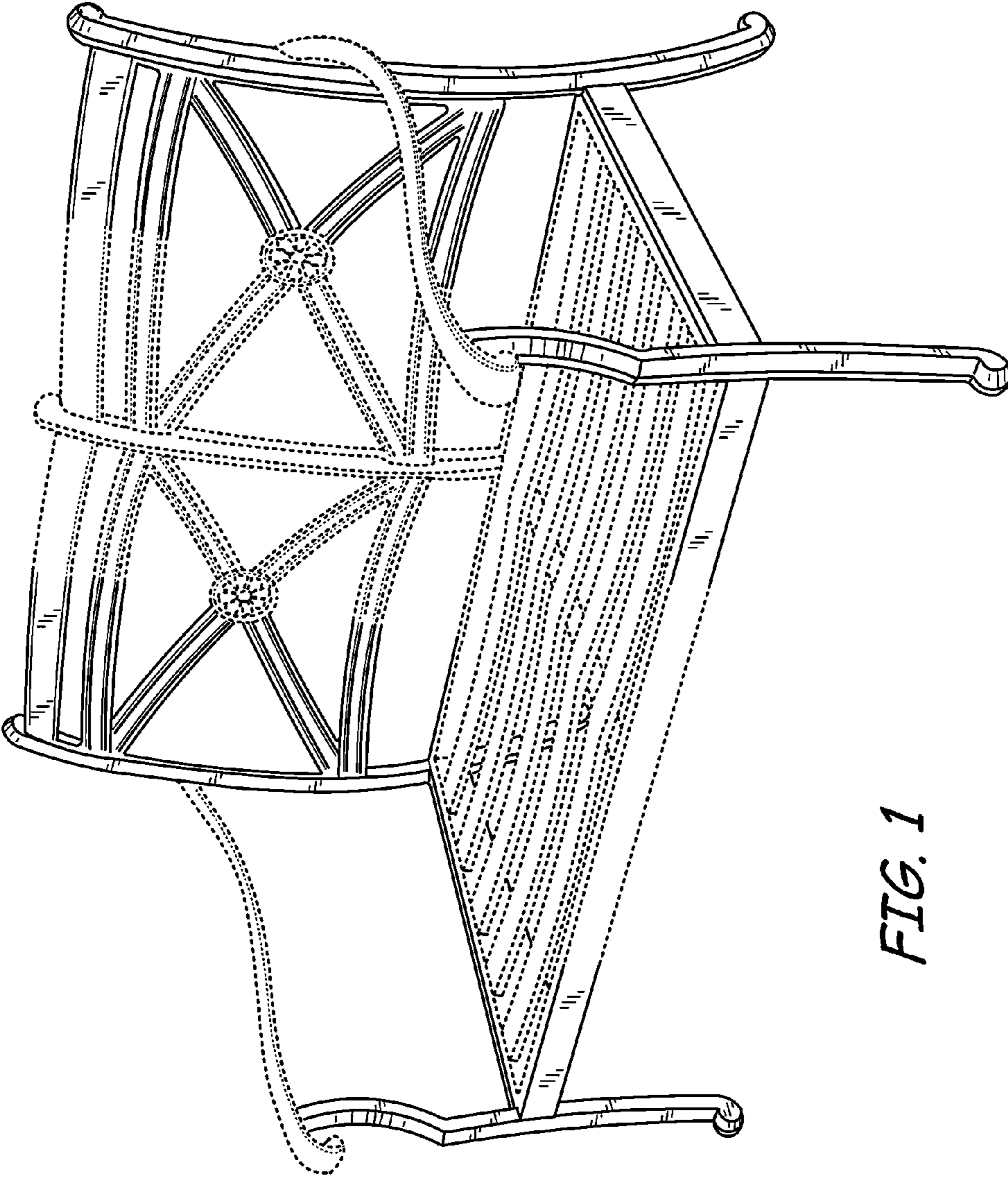


FIG. 1

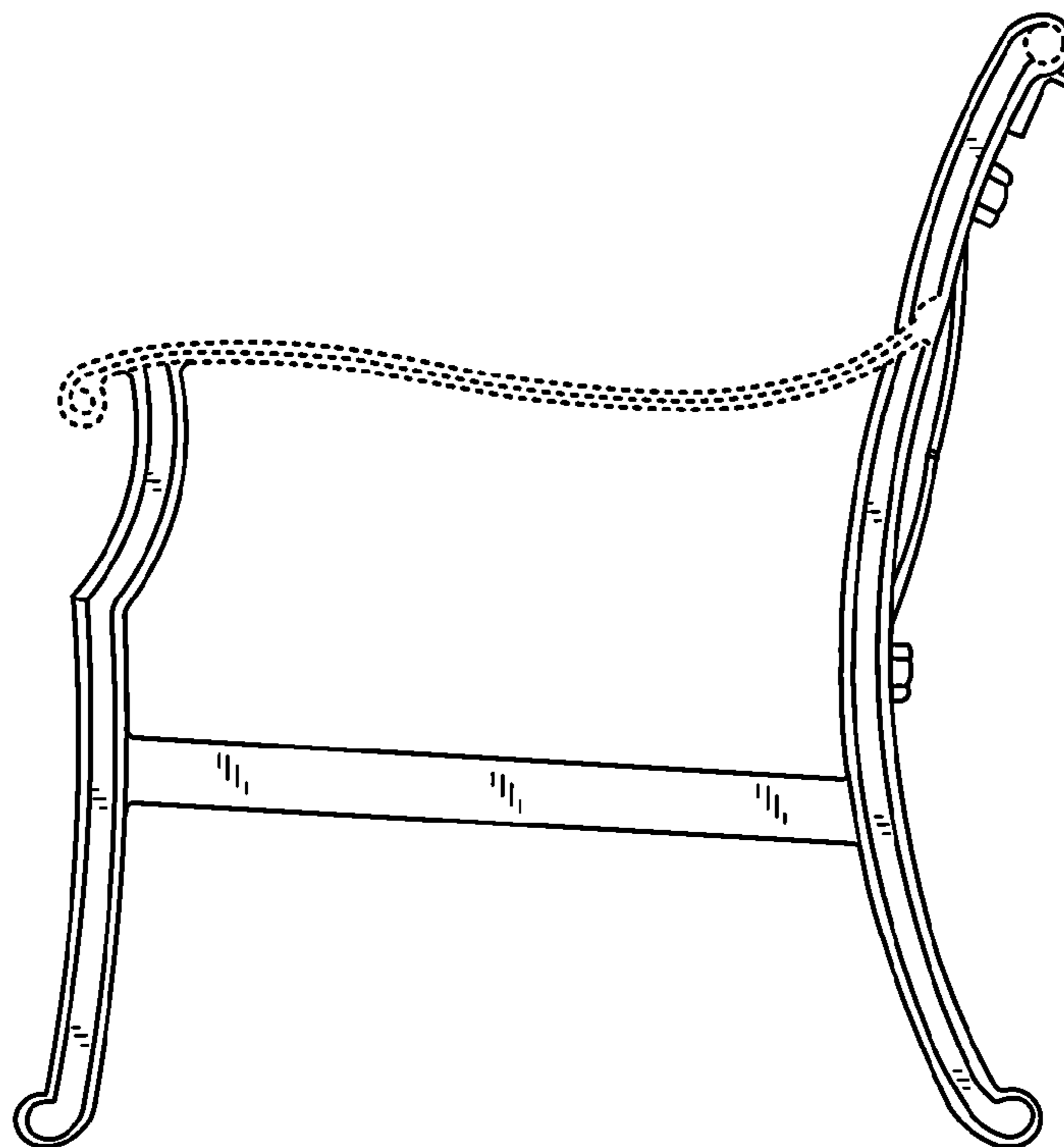


FIG. 2

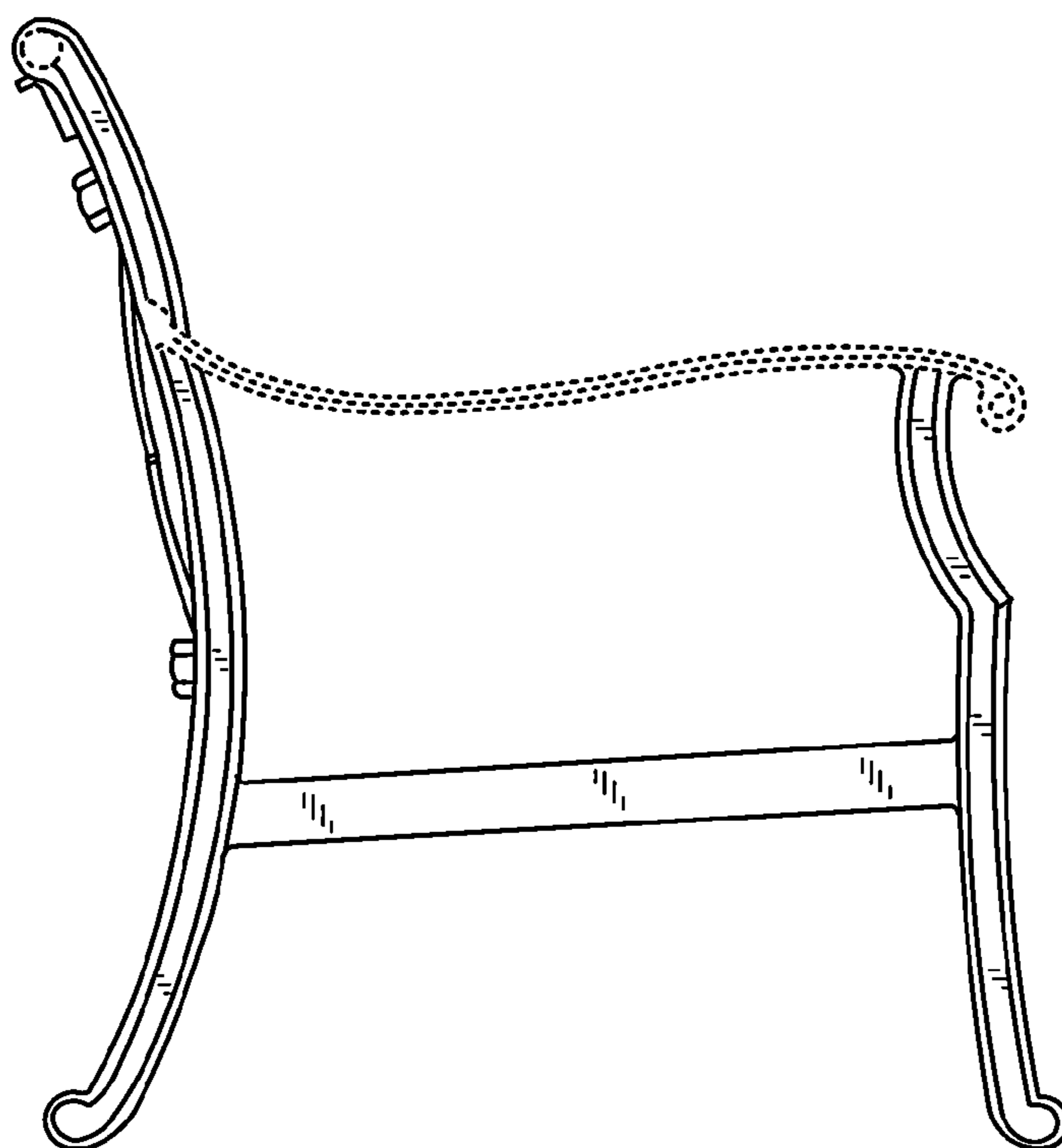


FIG. 3

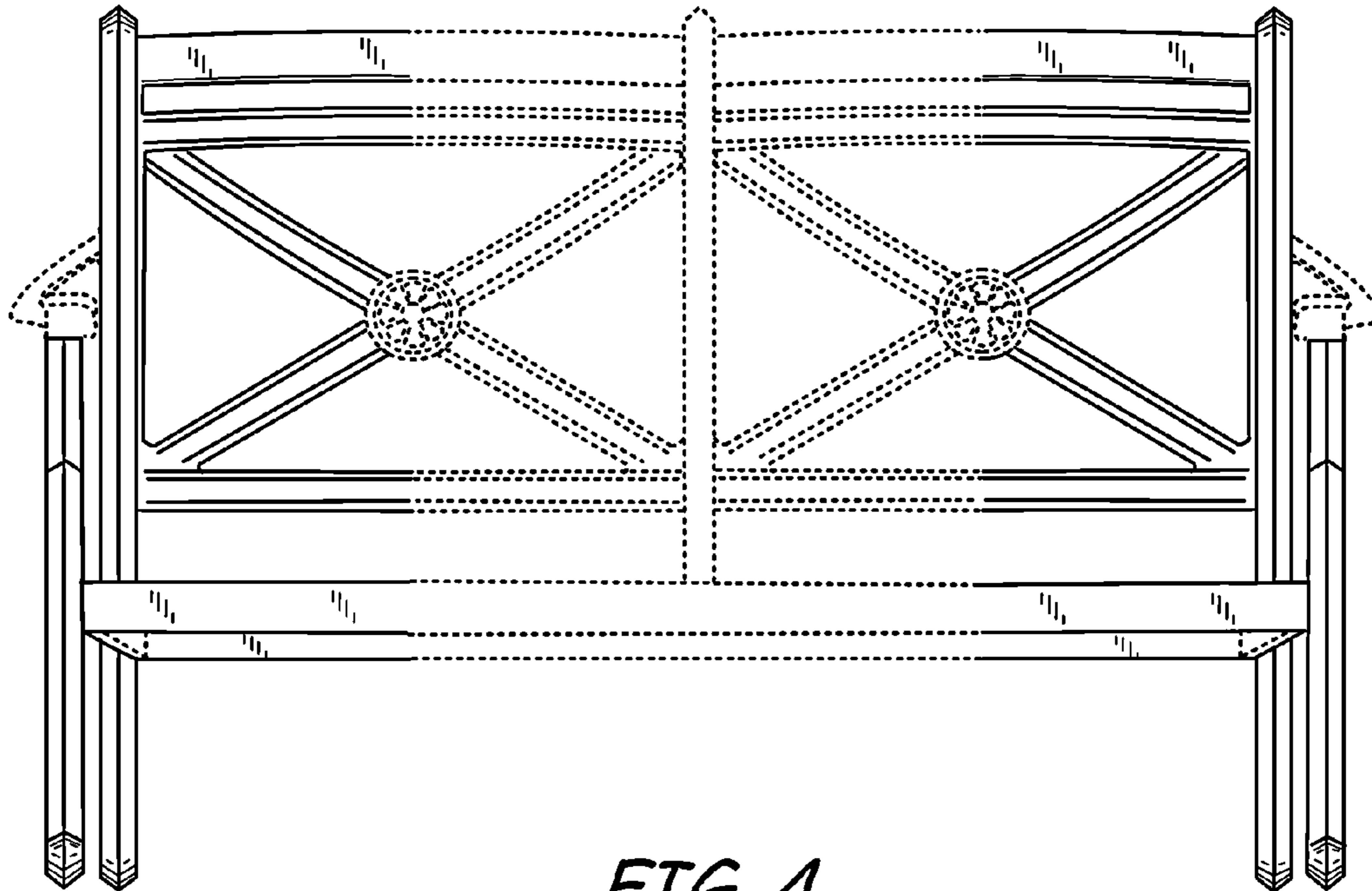


FIG. 4

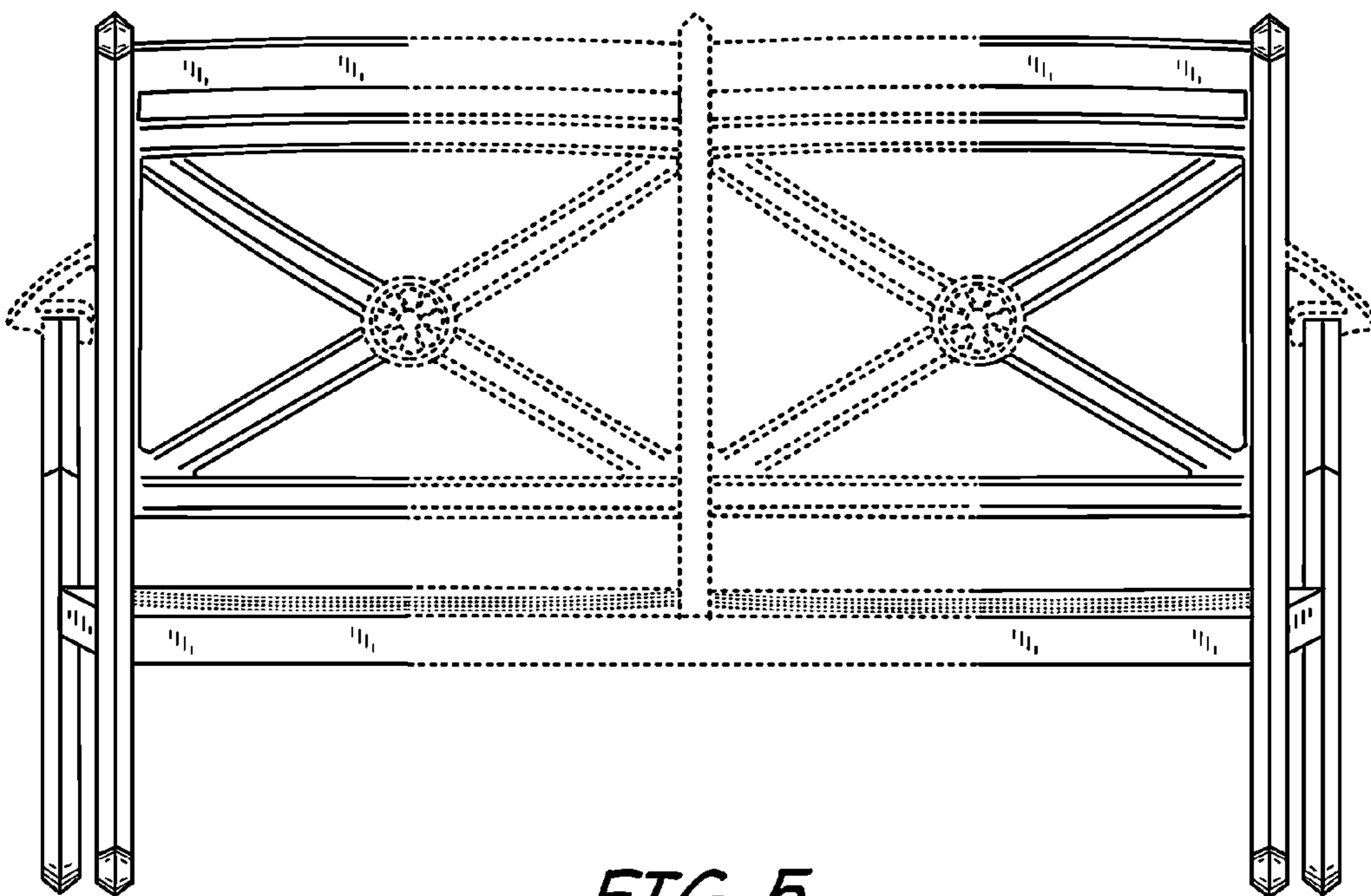


FIG. 5

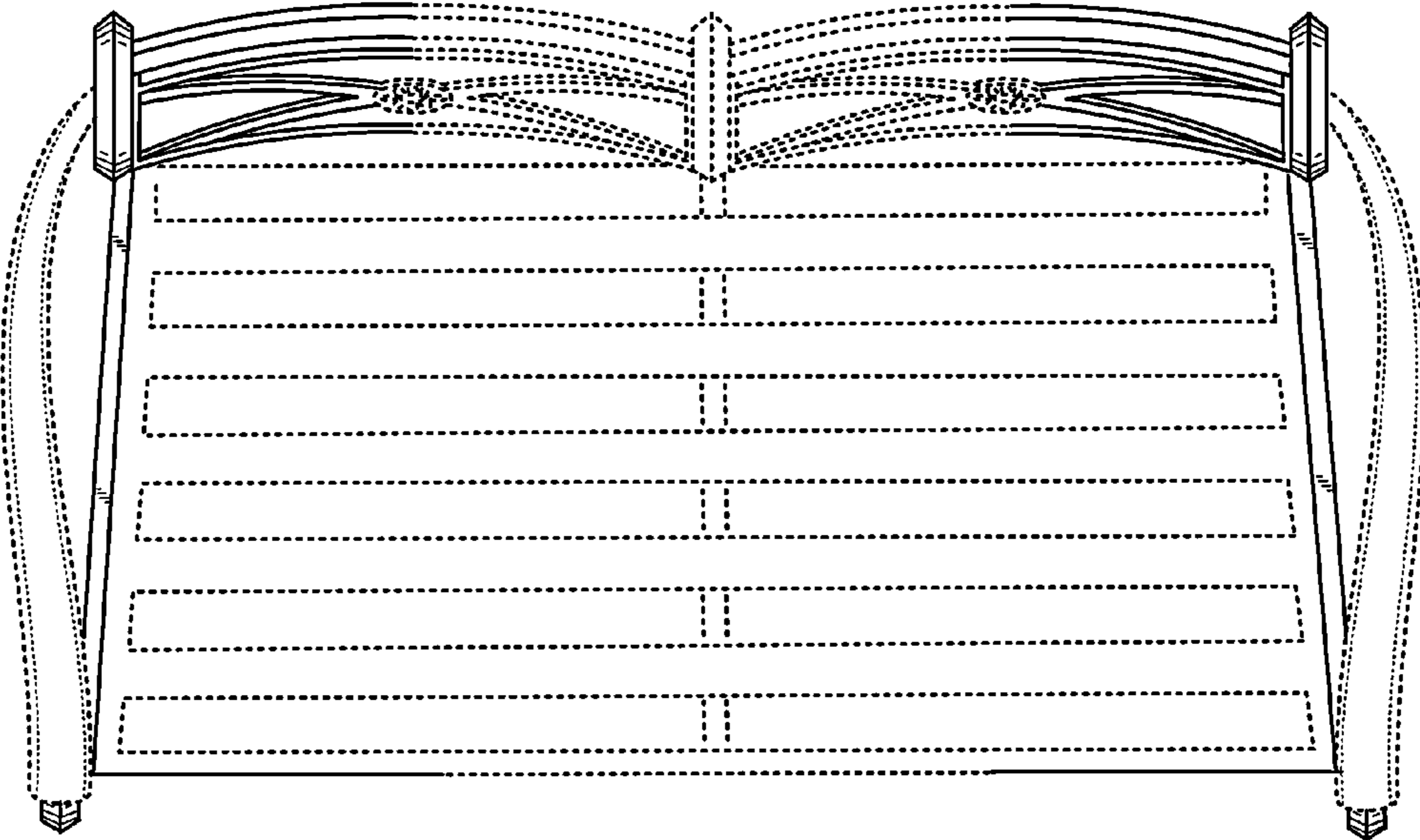


FIG. 6

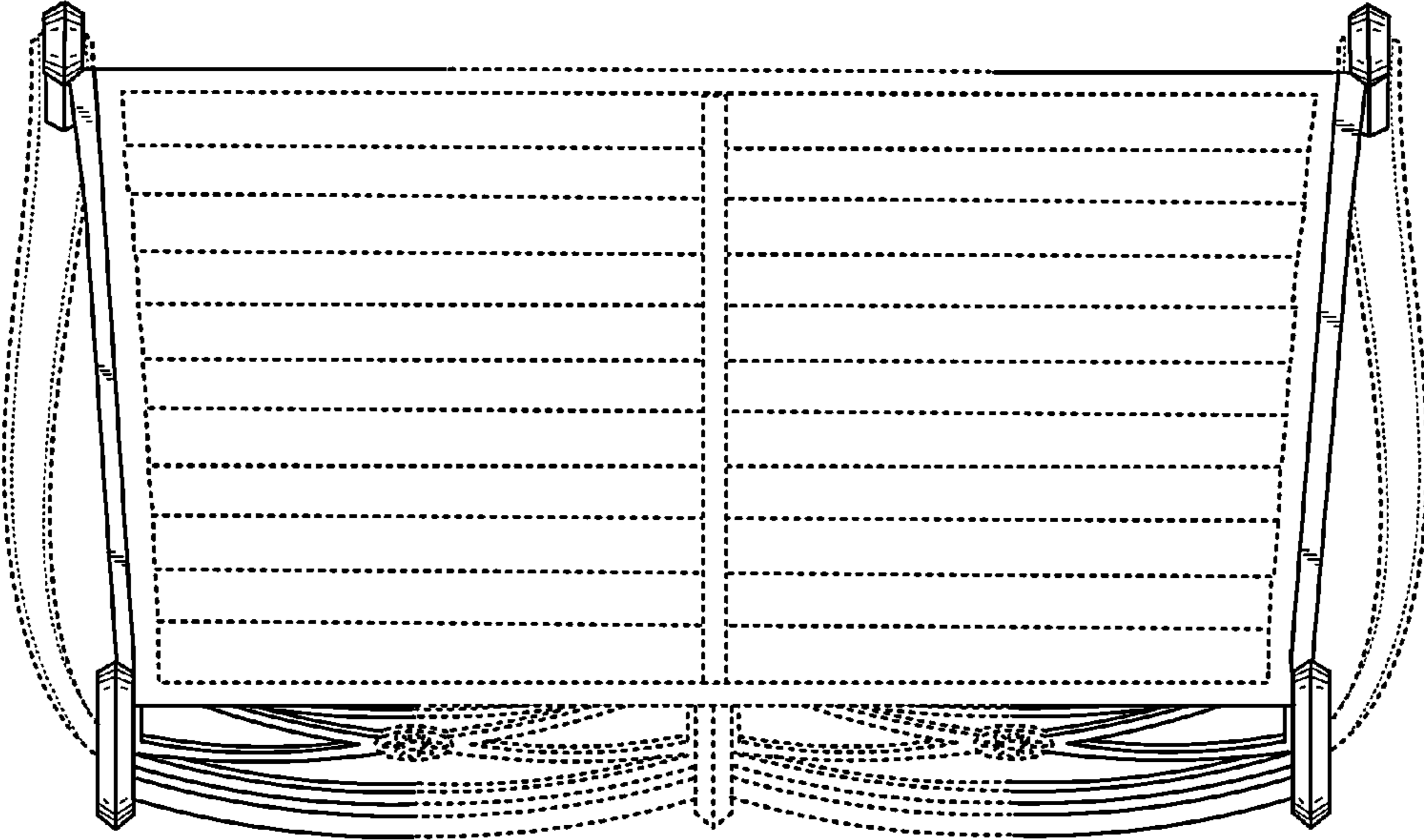


FIG. 7

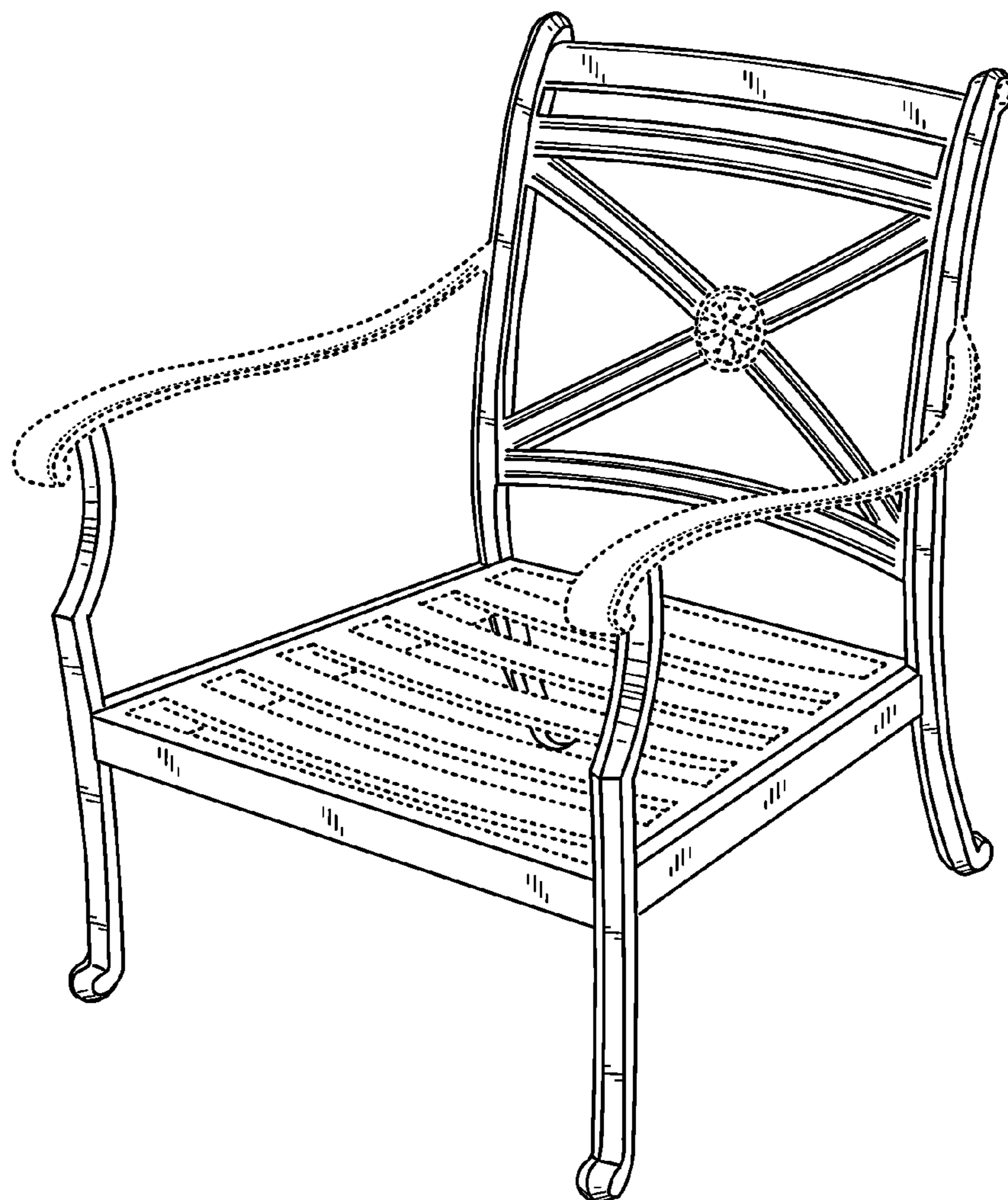


FIG. 8

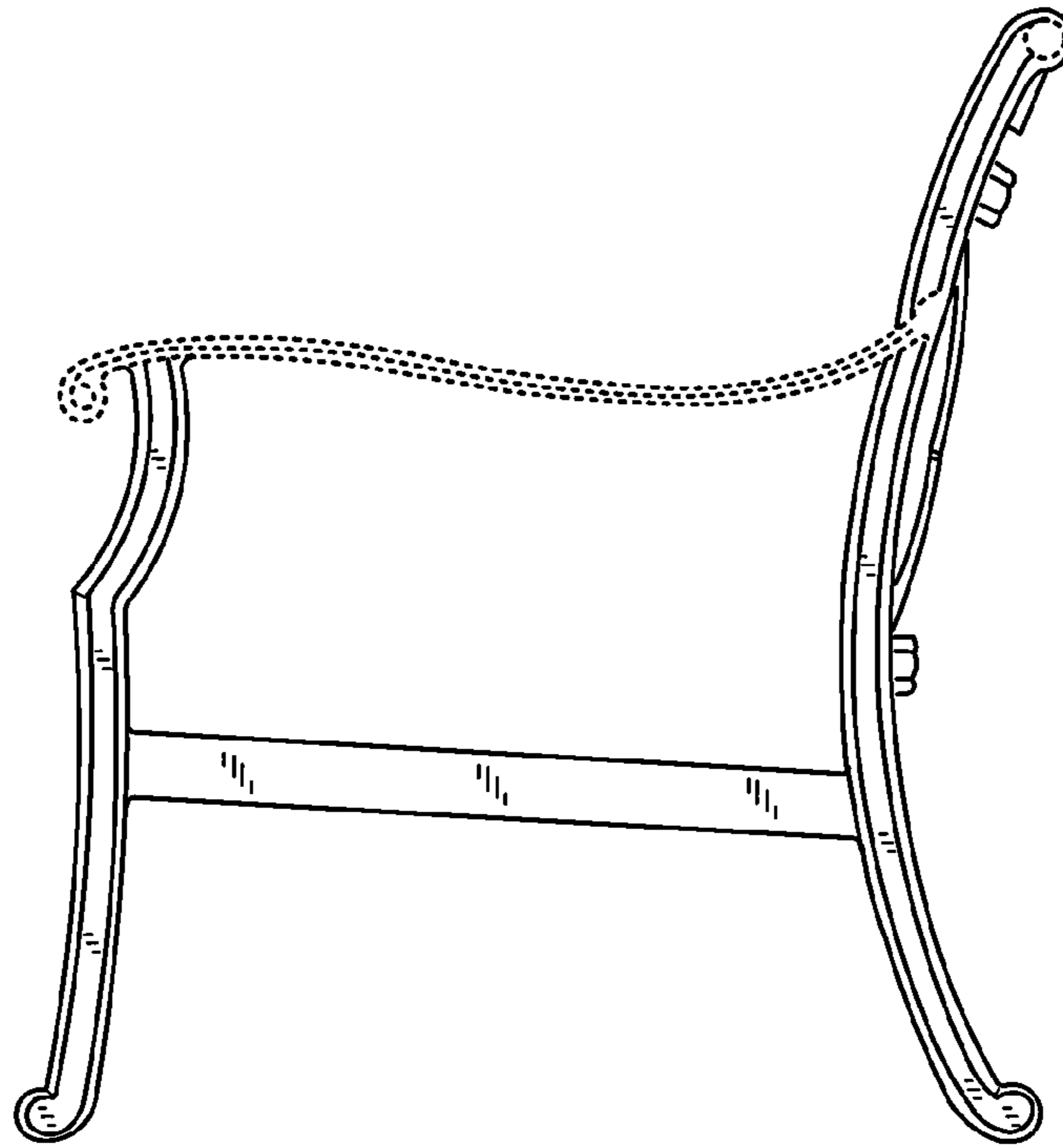


FIG. 9

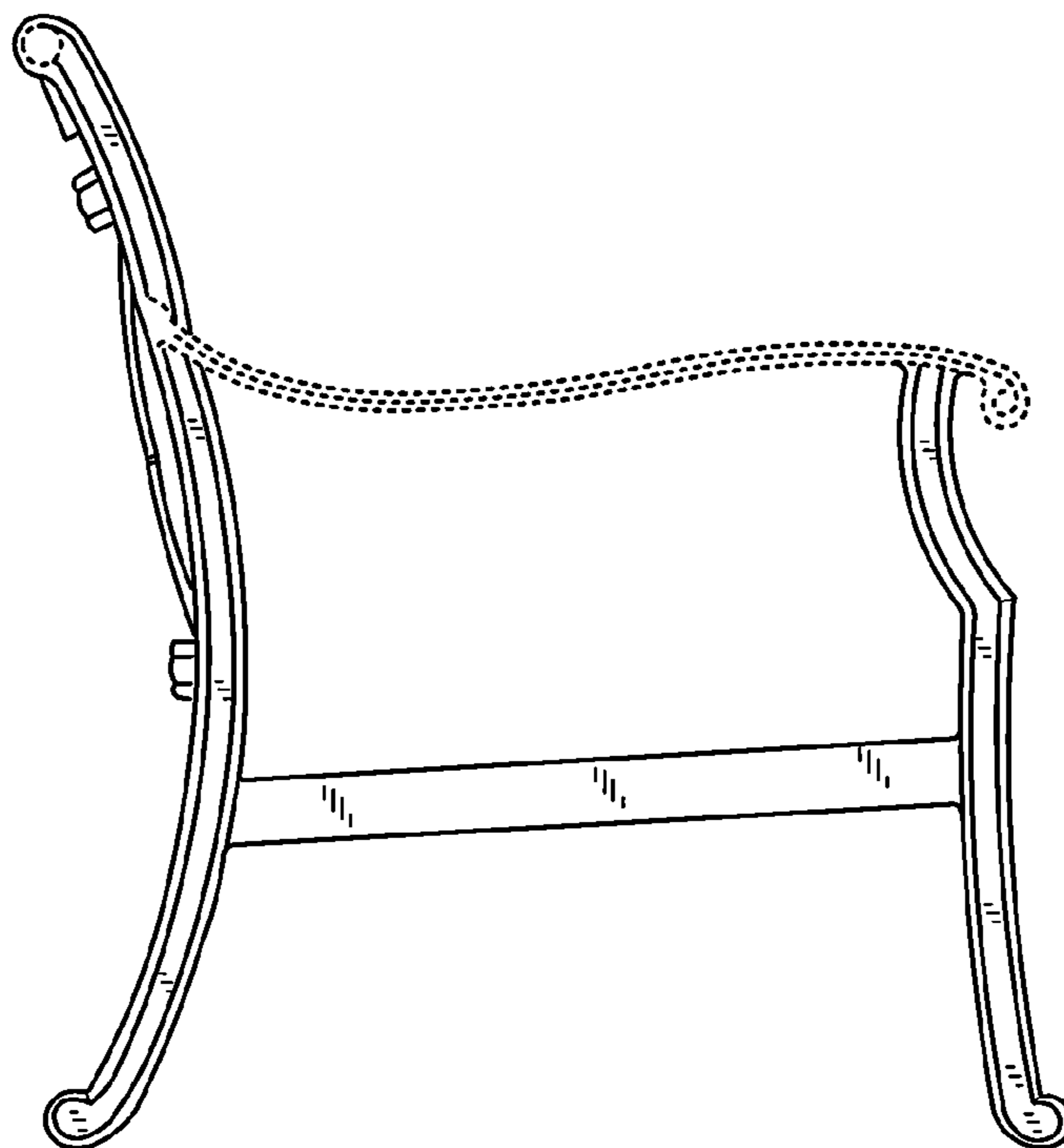


FIG. 10

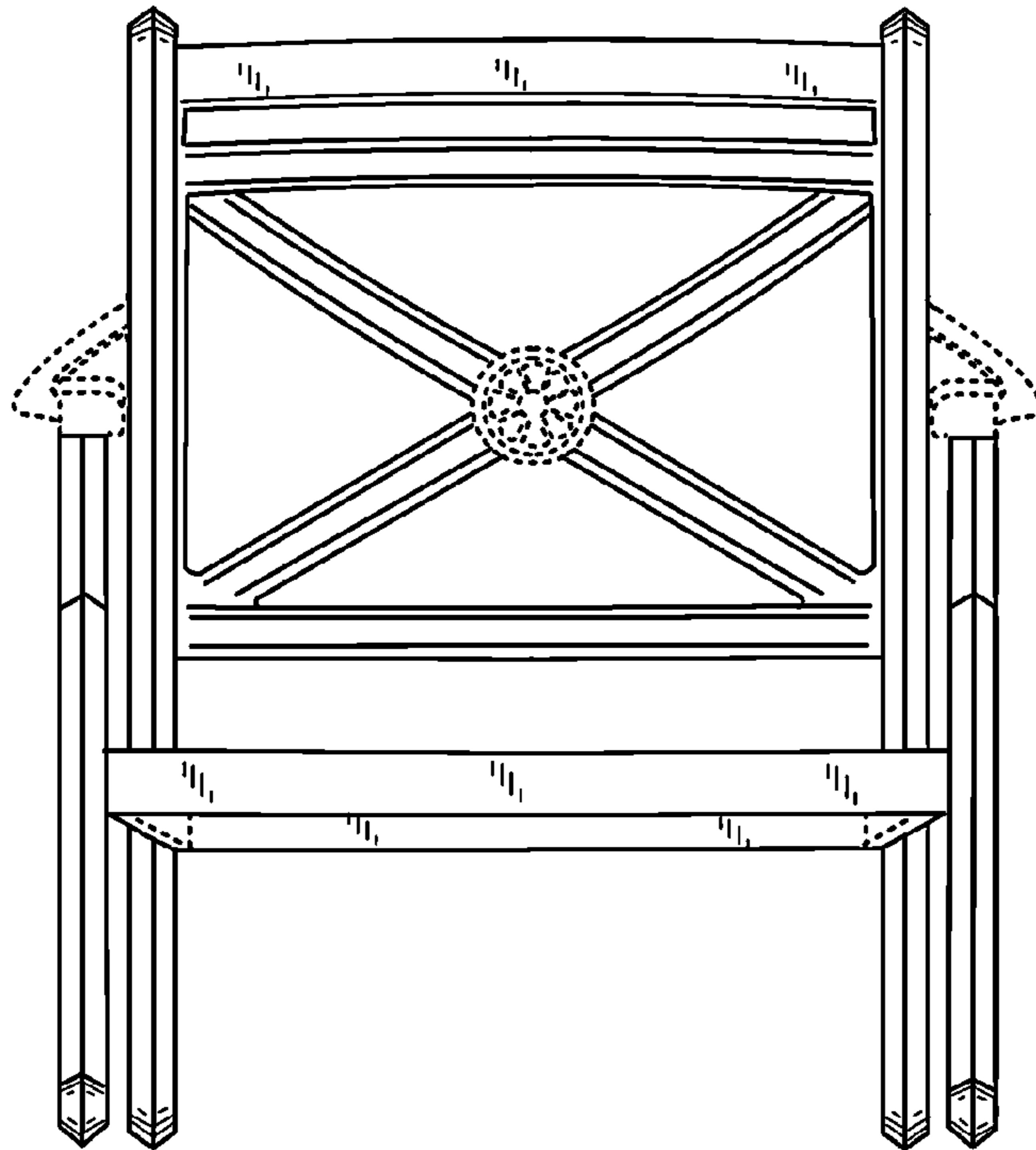


FIG. 11

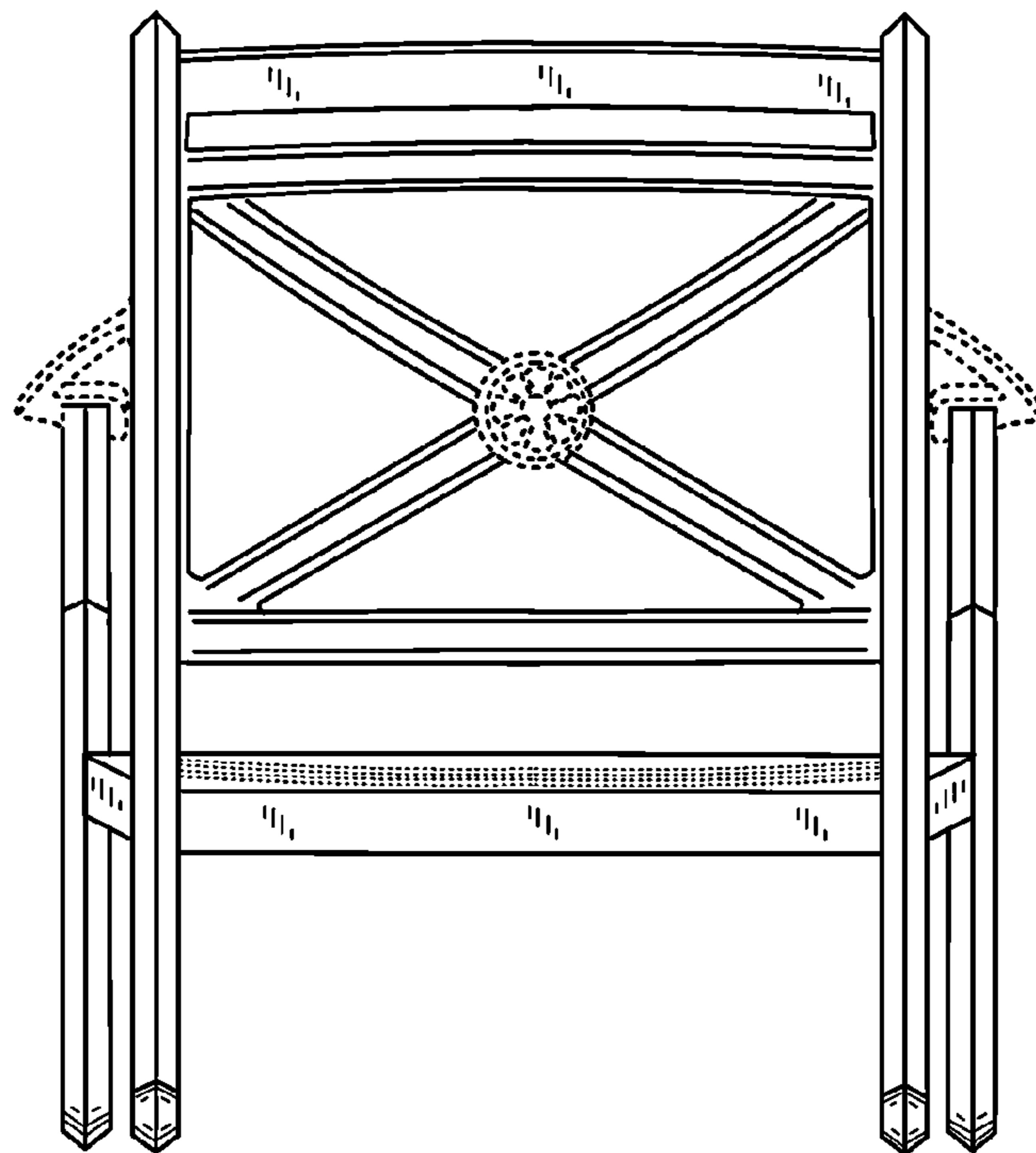


FIG. 12

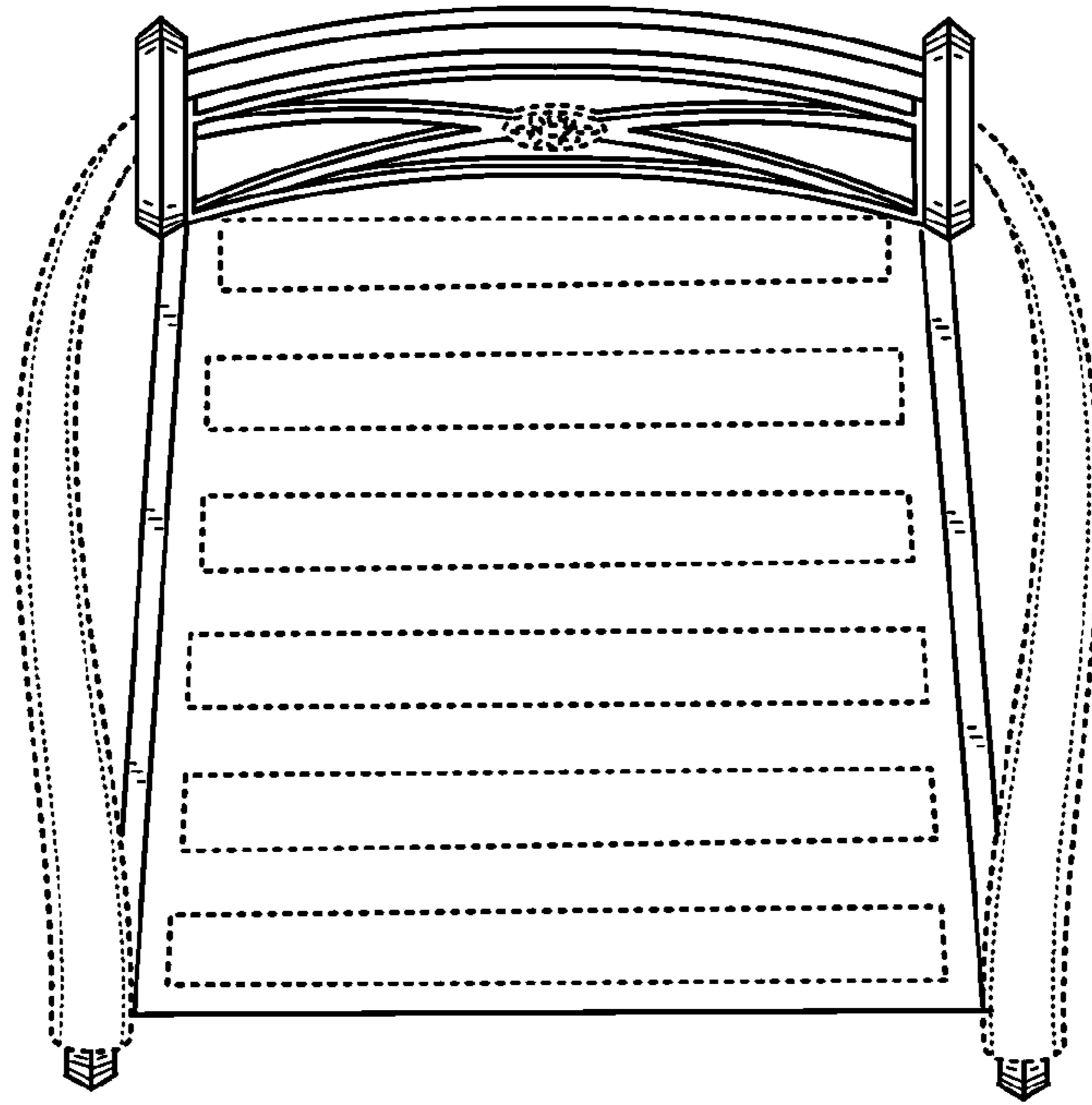


FIG. 13

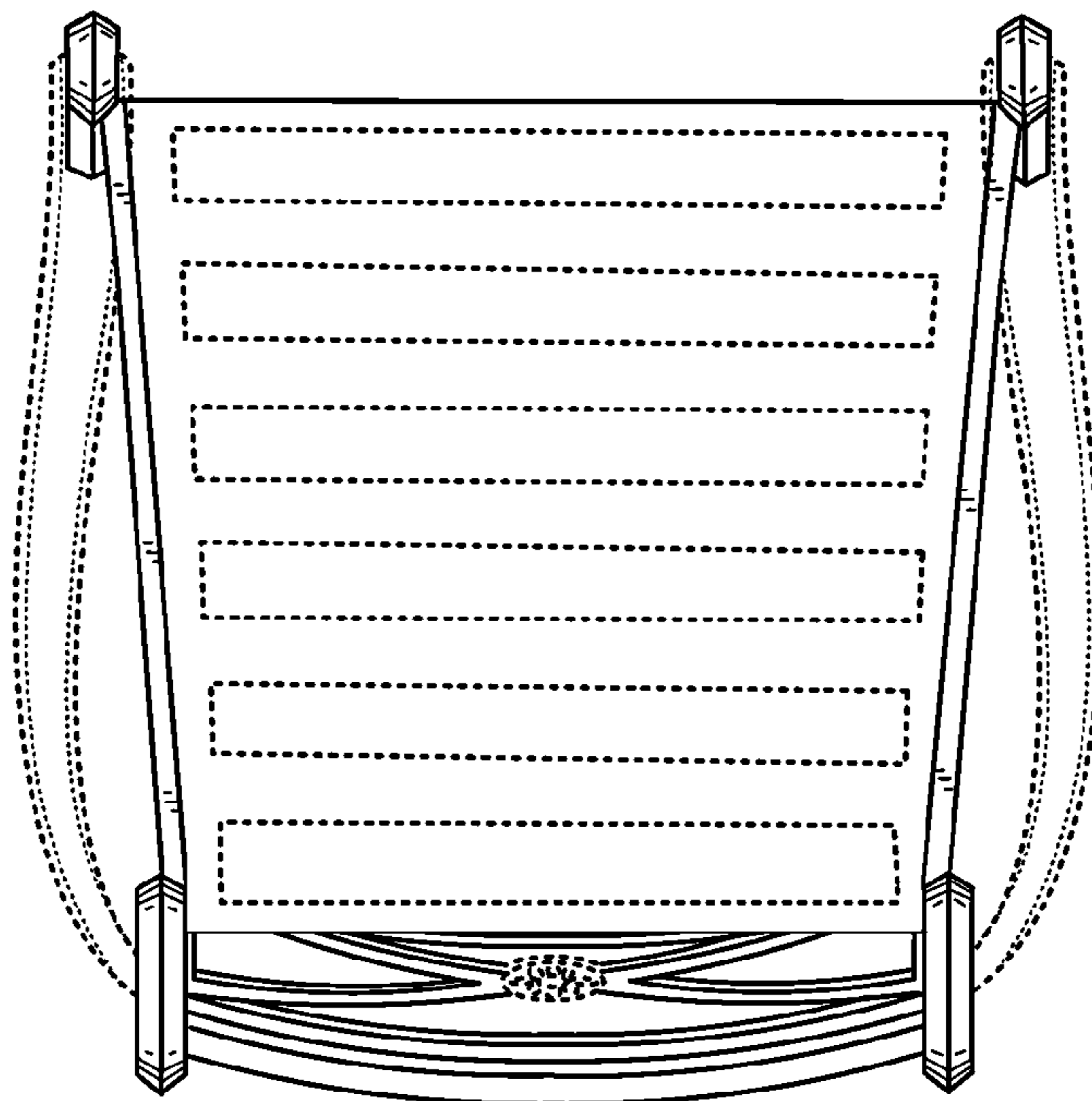


FIG. 14