



US00D687236S

(12) **United States Design Patent**
Hansen et al.

(10) **Patent No.:** **US D687,236 S**

(45) **Date of Patent:** **** Aug. 6, 2013**

(54) **CHAIR**

(71) Applicants: **Carsten Hansen**, Brædstrup (DK);
Carsten Bille Rasmussen, Brædstrup
(DK)

(72) Inventors: **Carsten Hansen**, Brædstrup (DK);
Carsten Bille Rasmussen, Brædstrup
(DK)

(**) Term: **14 Years**

(21) Appl. No.: **29/433,136**

(22) Filed: **Sep. 26, 2012**

(30) **Foreign Application Priority Data**

Sep. 26, 2012 (EM) 002109116

(51) **LOC (9) Cl.** **06-01**

(52) **U.S. Cl.**
USPC **D6/375**

(58) **Field of Classification Search**
USPC D6/334-336, 363, 374, 375, 376,
D6/379, 380, 716, 716.1, 716.2, 716.3, 716.4;
297/239, 445.1, 446.1, 448.1, 451.2, 452.12,
297/452.19, DIG. 2

See application file for complete search history.

(56) **References Cited**

U.S. PATENT DOCUMENTS

D170,121	S	*	8/1953	Jackson	D6/363
D186,307	S	*	10/1959	Kagan	D6/363
3,451,718	A	*	6/1969	Kaufman	297/239
D219,016	S	*	10/1970	Muller et al.	D6/375
D364,970	S	*	12/1995	Reese	D6/363
D365,454	S	*	12/1995	Thomson	D6/380
D521,265	S	*	5/2006	Andersson	D6/375
D568,626	S	*	5/2008	Gharabegian	D6/374
D630,872	S	*	1/2011	Alvarez et al.	D6/716.4
D668,469	S	*	10/2012	Siegel	D6/375

* cited by examiner

Primary Examiner — Mimoso De

(74) *Attorney, Agent, or Firm* — Harness, Dickey & Pierce,
P.L.C.

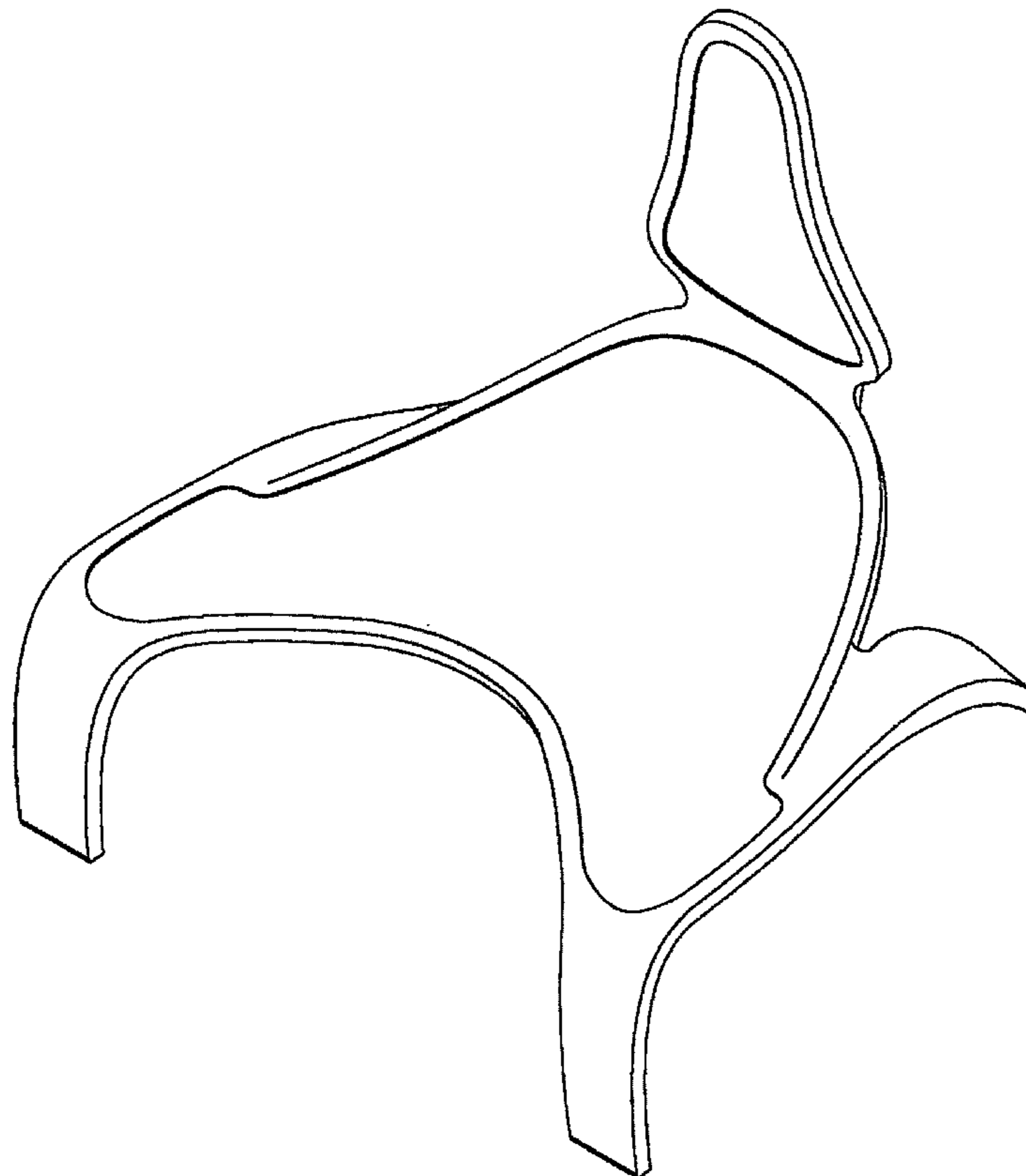
(57) **CLAIM**

The ornamental design for a chair, as shown and described.

DESCRIPTION

FIG. 1 is a top view of a chair, showing our new design;
FIG. 2 is a left side view thereof;
FIG. 3 is a right side view thereof;
FIG. 4 is a front top right perspective view thereof;
FIG. 5 is a front view thereof;
FIG. 6 is a bottom view thereof; and,
FIG. 7 is a rear view thereof.

1 Claim, 7 Drawing Sheets



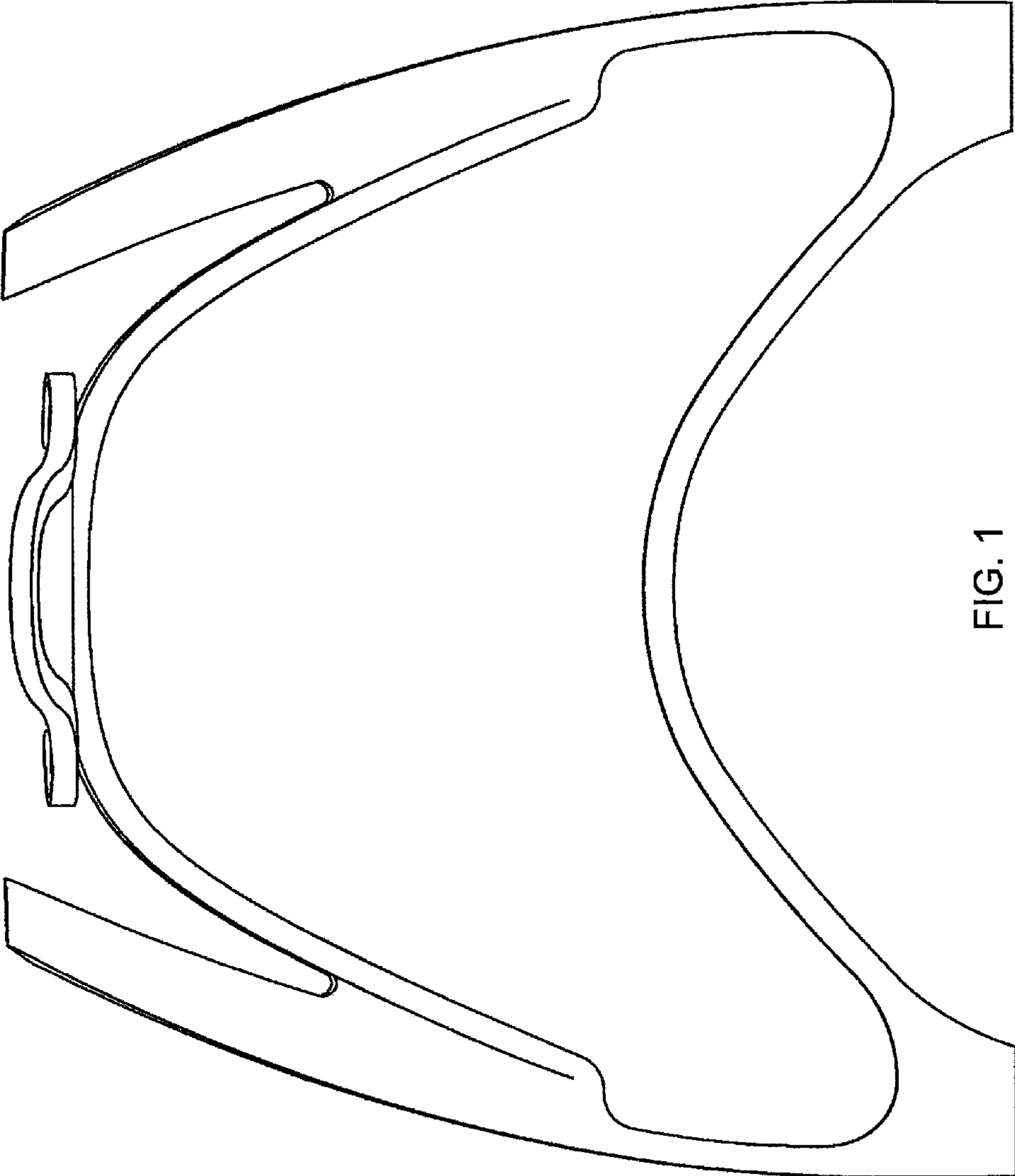


FIG. 1

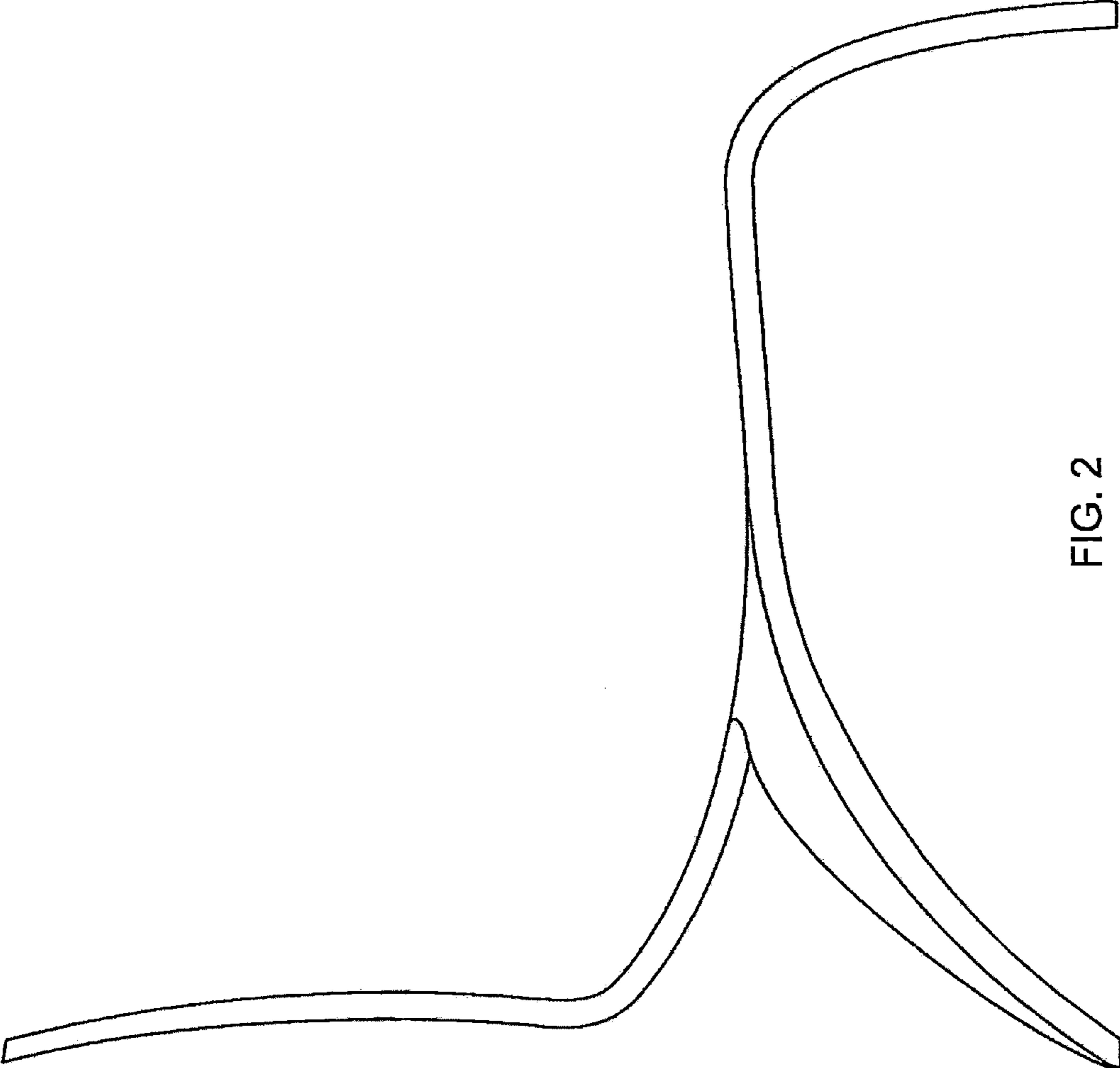


FIG. 2

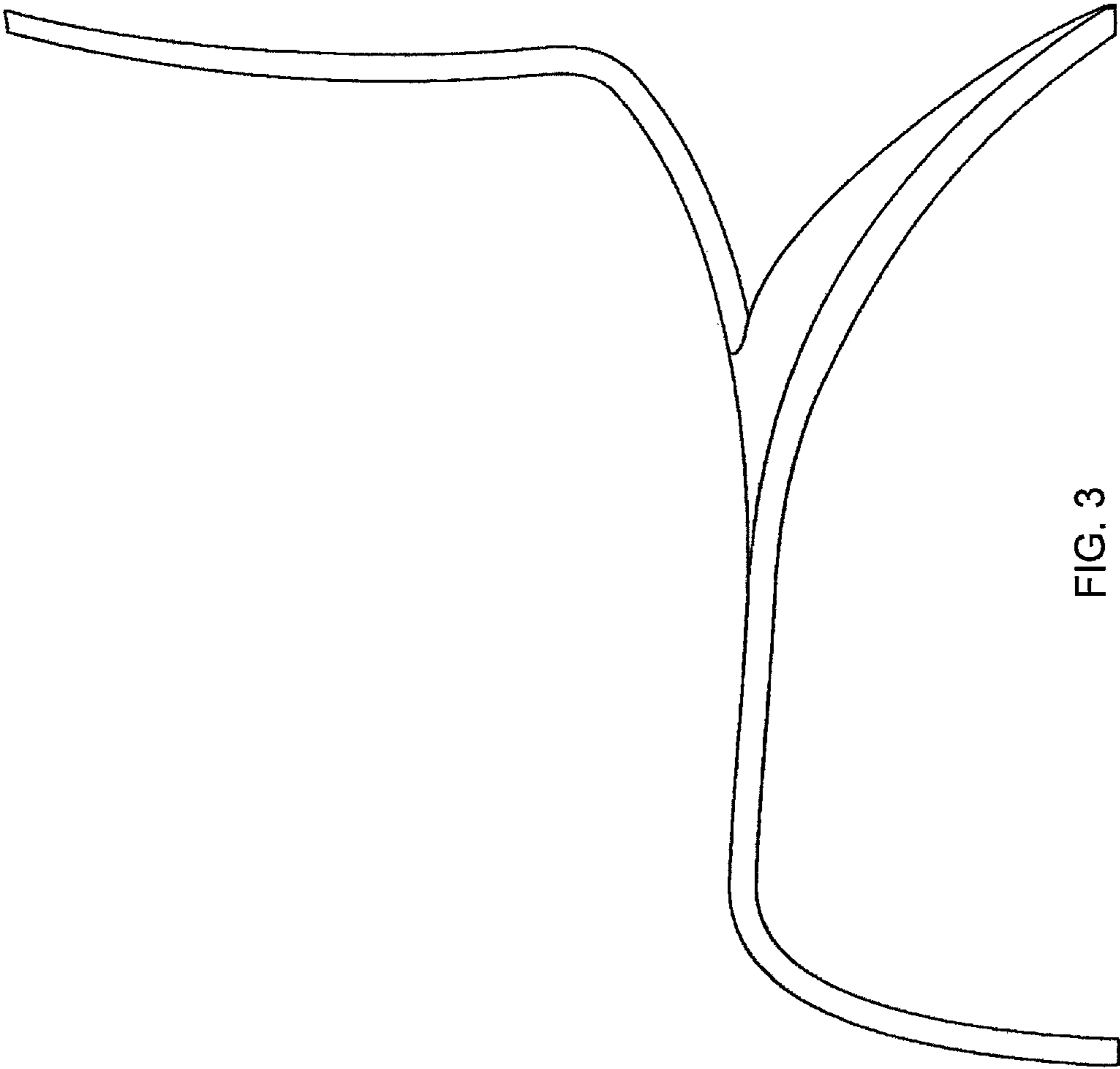


FIG. 3

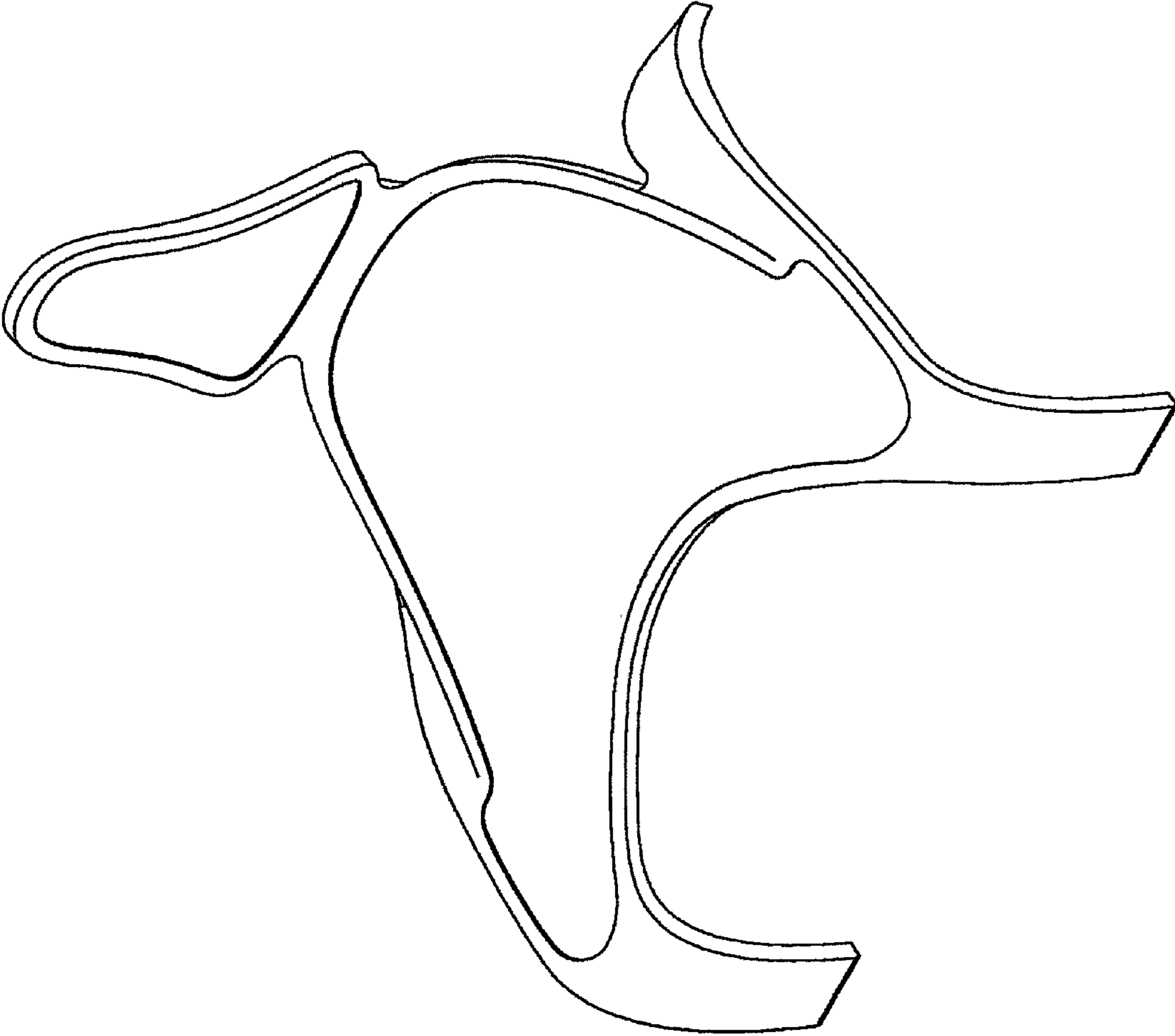


FIG. 4

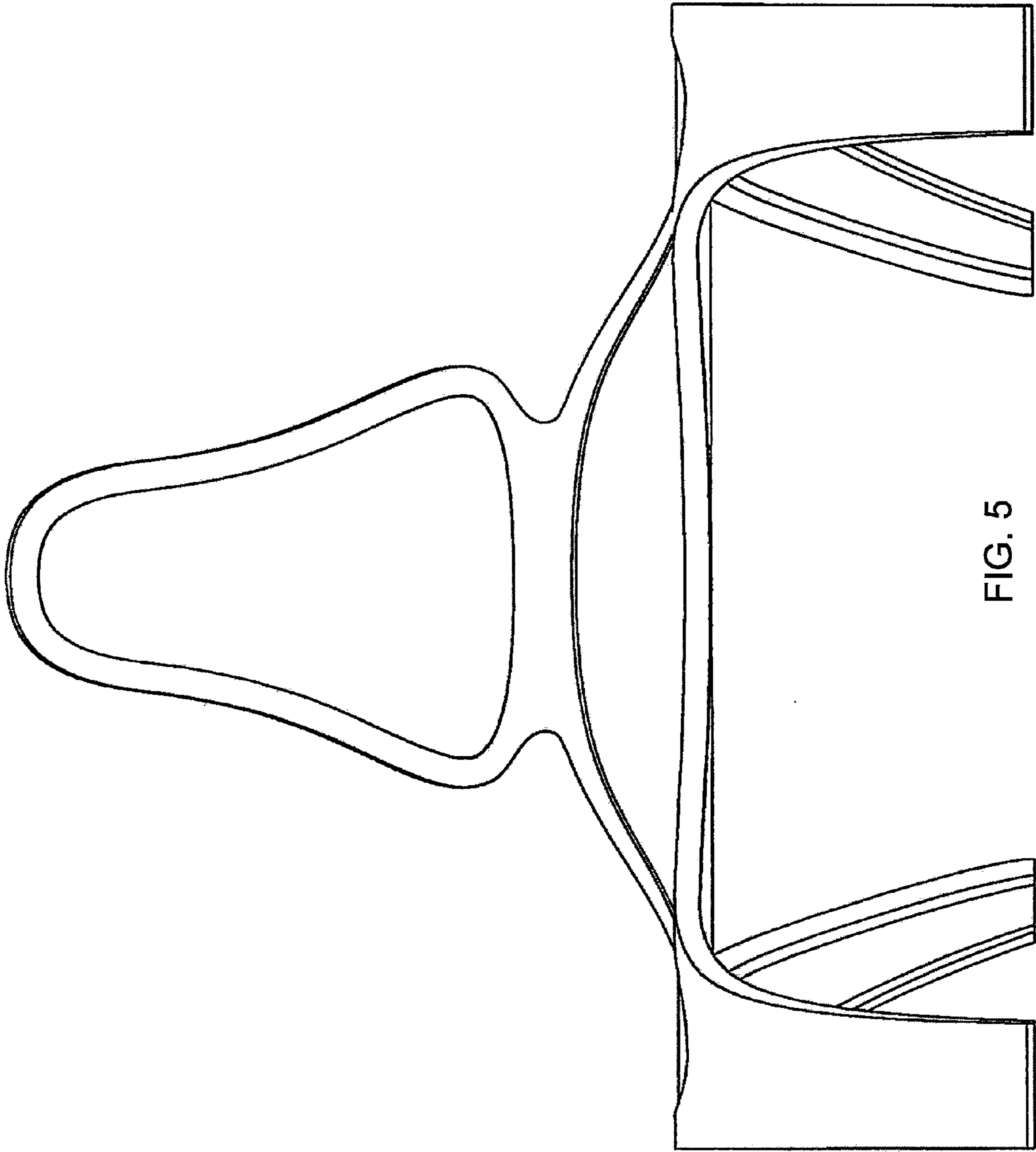


FIG. 5

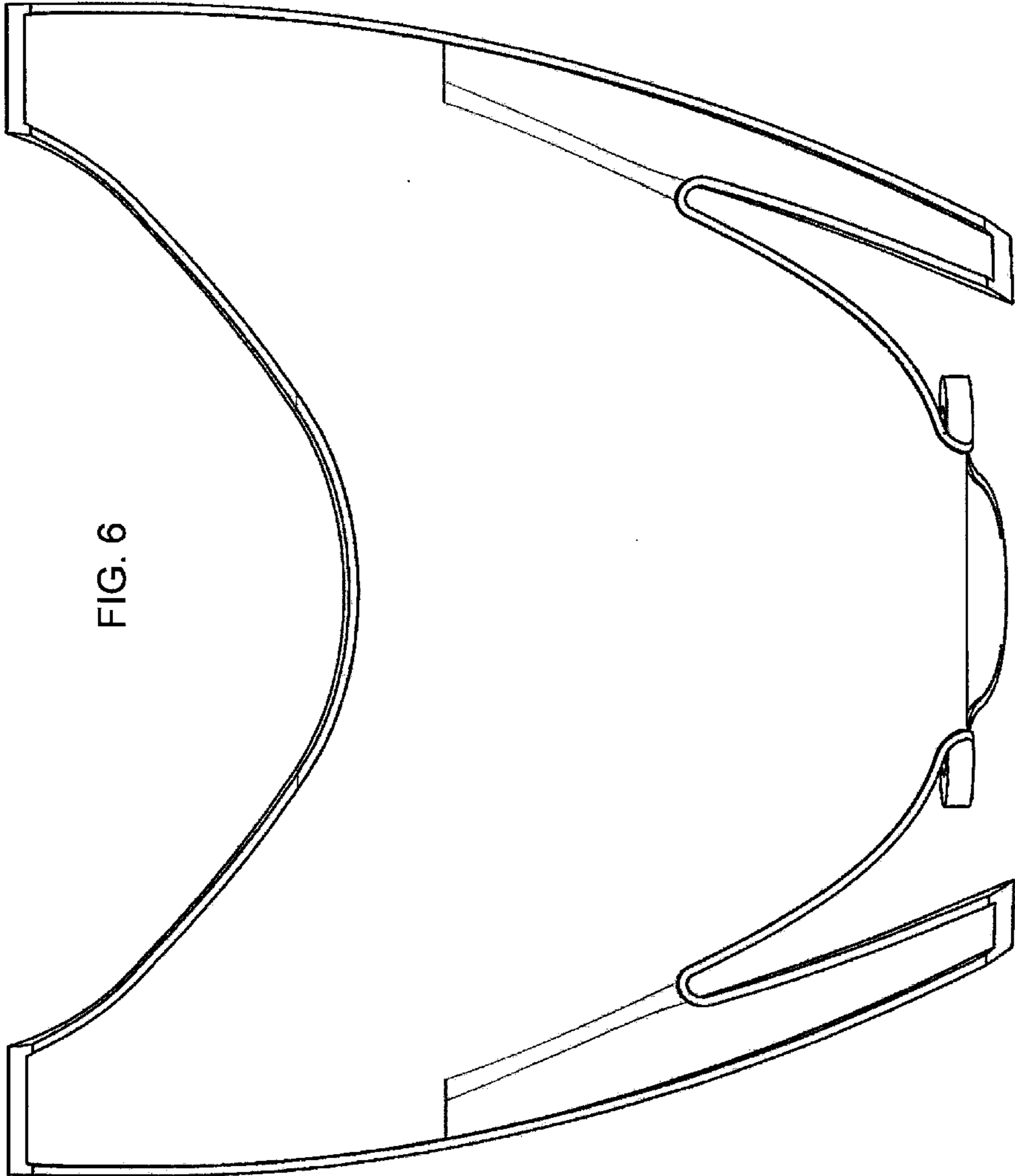


FIG. 6

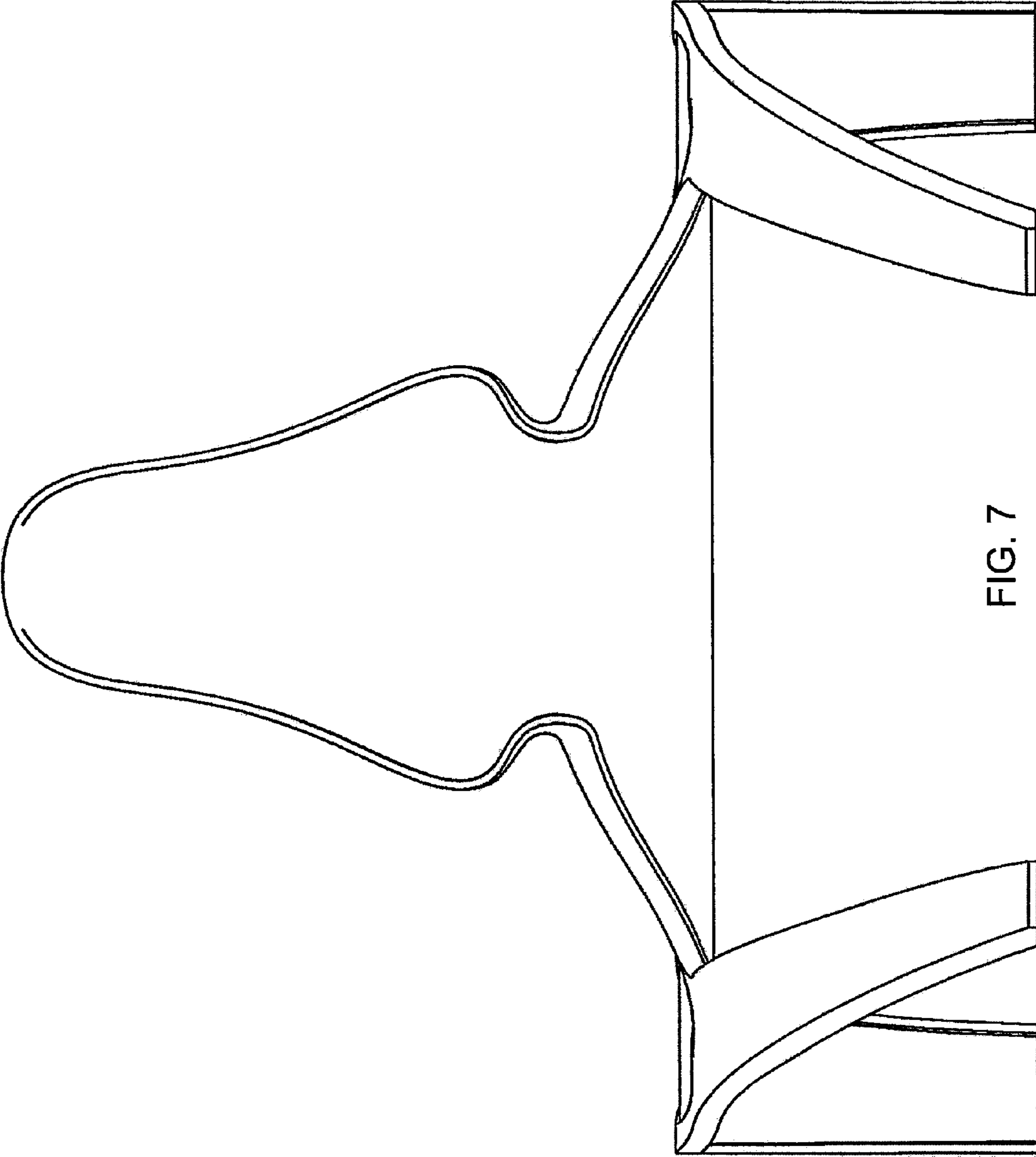


FIG. 7