



US00D687232S

(12) **United States Design Patent**  
**Skalka**

(10) **Patent No.:** **US D687,232 S**

(45) **Date of Patent:** **\*\* Aug. 6, 2013**

(54) **SEATING**

(75) Inventor: **Gerald P. Skalka**, Potomac, MD (US)

(73) Assignee: **Victor Stanley, Inc.**, Dunkirk, MD (US)

(\*\*) Term: **14 Years**

(21) Appl. No.: **29/397,524**

(22) Filed: **Jul. 18, 2011**

(51) **LOC (9) Cl.** ..... **06-01**

(52) **U.S. Cl.**  
USPC ..... **D6/337**

(58) **Field of Classification Search**

USPC ..... D6/335-338, 357, 369, 491, 500-502;  
297/135, 157.1, 158.2, 158.3, 158.5, 174 R,  
297/245

See application file for complete search history.

(56) **References Cited**

**U.S. PATENT DOCUMENTS**

D313,128 S *	12/1990	Serafini	.....	D6/338
D413,734 S *	9/1999	Bue	.....	D6/337
D448,938 S *	10/2001	Ng et al.	.....	D6/337
D478,732 S *	8/2003	Pajerski et al.	.....	D6/337
D479,406 S *	9/2003	Pajerski et al.	.....	D6/337
D479,773 S *	9/2003	Pajerski et al.	.....	D6/337
D604,520 S *	11/2009	Wegman	.....	D6/338
D604,521 S *	11/2009	Wegman	.....	D6/338
D604,522 S *	11/2009	Wegman	.....	D6/338
D604,523 S *	11/2009	Wegman	.....	D6/338
D621,629 S *	8/2010	Weimer et al.	.....	D6/337

**OTHER PUBLICATIONS**

Victor Stanley, Inc. Steelsites(TM) Series RND-363 Table (2010).

Victor Stanley, Inc. Steelsites(TM) Series CRPR-4 Table (2010).

Victor Stanley, Inc. Steelsites(TM) Series Benches and Seating Brochure (2010).

Victor Stanley, Inc. Streetsites(TM) Series Brochure (2010).

\* cited by examiner

*Primary Examiner* — Sandra Snapp

(74) *Attorney, Agent, or Firm* — Jacobson Holman PLLC

(57) **CLAIM**

The ornamental design for a seating, as shown and described.

**DESCRIPTION**

FIG. 1 is an isometric view of a seating showing a first embodiment of my new design.

FIG. 2 is a left side elevational view of the seating of FIG. 1, the right side elevational, front elevational, and back elevational views being identical thereto.

FIG. 3 is a top plan view of the seating of FIG. 1.

FIG. 4 is a bottom plan view of the seating of FIG. 1.

FIG. 5 is a side elevational view rotated approximately 45 degrees from the side elevational view of FIG. 2.

FIG. 6 is an isometric view of a seating showing a second embodiment of my new design.

FIG. 7 is a left side elevational view of the seating of FIG. 6, the right side elevational, front elevational, and back elevational views being identical thereto.

FIG. 8 is a top plan view of the seating of FIG. 6.

FIG. 9 is a bottom plan view of the seating of FIG. 6.

FIG. 10 is a side elevational view rotated approximately 45 degrees from the side elevational view of FIG. 7.

FIG. 11 is an isometric view of a seating showing a third embodiment of my new design.

FIG. 12 is a left side elevational view of the seating of FIG. 11, the right side elevational, front elevational, and back elevational views being identical thereto.

FIG. 13 is a top plan view of the seating of FIG. 11.

FIG. 14 is a bottom plan view of the seating of FIG. 11.

FIG. 15 is a side elevational view rotated approximately 45 degrees from the side elevational view of FIG. 12.

FIG. 16 is an isometric view of a seating showing a fourth embodiment of my new design.

FIG. 17 is a left side elevational view of the seating of FIG. 16, the right side elevational, front elevational, and back elevational views being identical thereto.

FIG. 18 is a top plan view of the seating of FIG. 16.

FIG. 19 is a bottom plan view of the seating of FIG. 16.

FIG. 20 is a side elevational view rotated approximately 45 degrees from the side elevational view of FIG. 17.

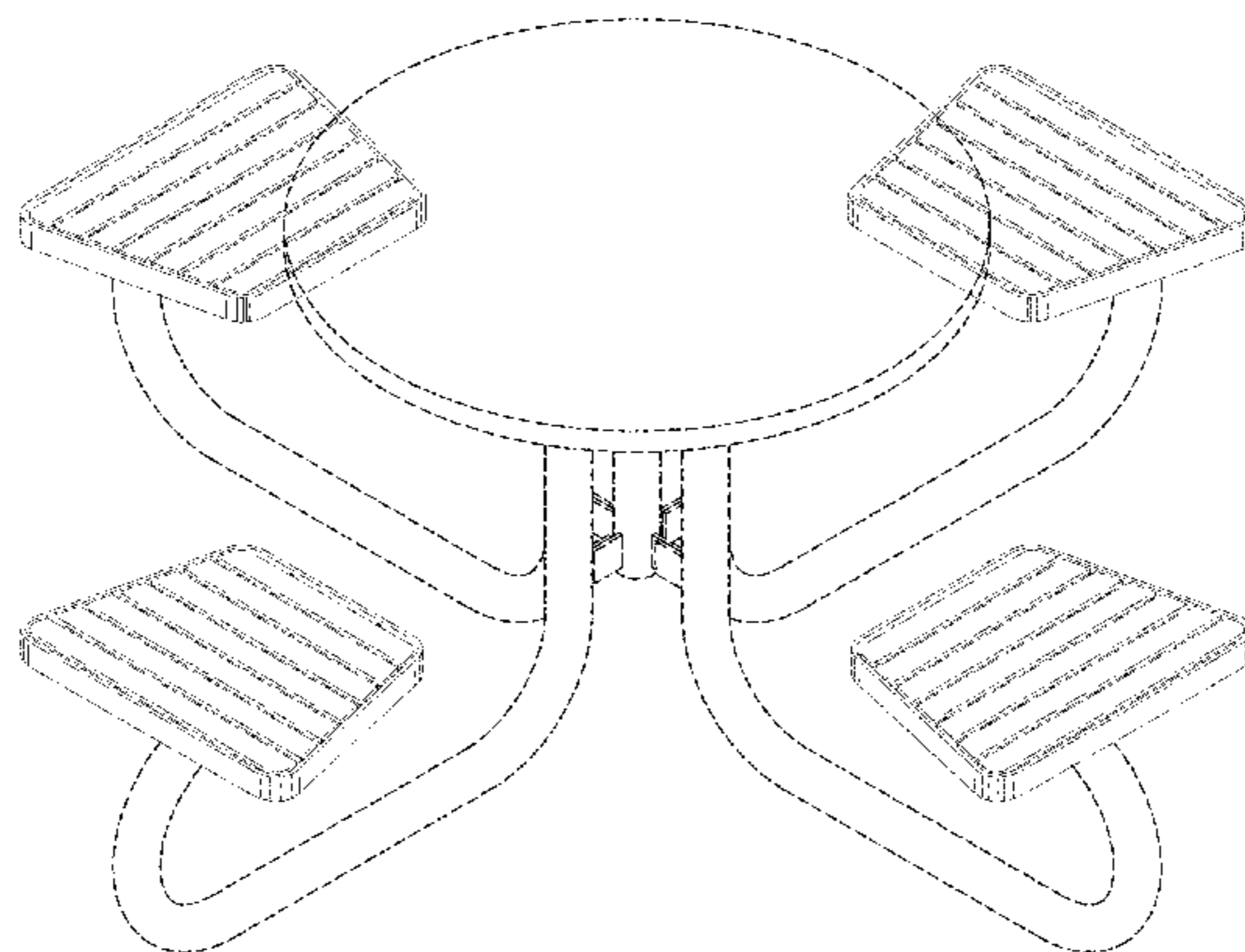


FIG. 21 is an isometric view of a seating showing a fifth embodiment of my new design.

FIG. 22 is a left side elevational view of the seating of FIG. 21, the right side elevational, front elevational, and back elevational views being identical thereto.

FIG. 23 is a top plan view of the seating of FIG. 21.

FIG. 24 is a bottom plan view of the seating of FIG. 21.

FIG. 25 is a side elevational view rotated approximately 45 degrees from the side elevational view of FIG. 22.

FIG. 26 is an isometric view of a seating showing a sixth embodiment of my new design.

FIG. 27 is a left side elevational view of the seating of FIG. 26.

FIG. 28 is a top plan view of the seating of FIG. 26.

FIG. 29 is a bottom plan view of the seating of FIG. 26.

FIG. 30 is a side elevational view rotated approximately 18 degrees from the side elevational view of FIG. 27.

FIG. 31 is an isometric view of a seating showing a seventh embodiment of my new design.

FIG. 32 is a left side elevational view of the seating of FIG. 31.

FIG. 33 is a top plan view of the seating of FIG. 31.

FIG. 34 is a bottom plan view of the seating of FIG. 31.

FIG. 35 is a side elevational view rotated approximately 18 degrees from the side elevational view of FIG. 32.

FIG. 36 is an isometric view of a seating showing an eighth embodiment of my new design.

FIG. 37 is a left side elevational view of the seating of FIG. 36.

FIG. 38 is a top plan view of the seating of FIG. 36.

FIG. 39 is a bottom plan view of the seating of FIG. 36.

FIG. 40 is a side elevational view rotated approximately 18 degrees from the side elevational view of FIG. 37.

FIG. 41 is an isometric view of a seating showing a ninth embodiment of my new design.

FIG. 42 is a left side elevational view of the seating of FIG. 41.

FIG. 43 is a top plan view of the seating of FIG. 41.

FIG. 44 is a bottom plan view of the seating of FIG. 41; and,

FIG. 45 is a side elevational view rotated approximately 18 degrees from the side elevational view of FIG. 42.

The broken line showing of a table and legs joining the seats to the table in FIGS. 1-45, and the broken line showing of brackets joining the seat back to the seat bottom in FIGS. 1-45 are included for the purpose of illustrating use and environment and form no part of the claimed design.

**1 Claim, 27 Drawing Sheets**

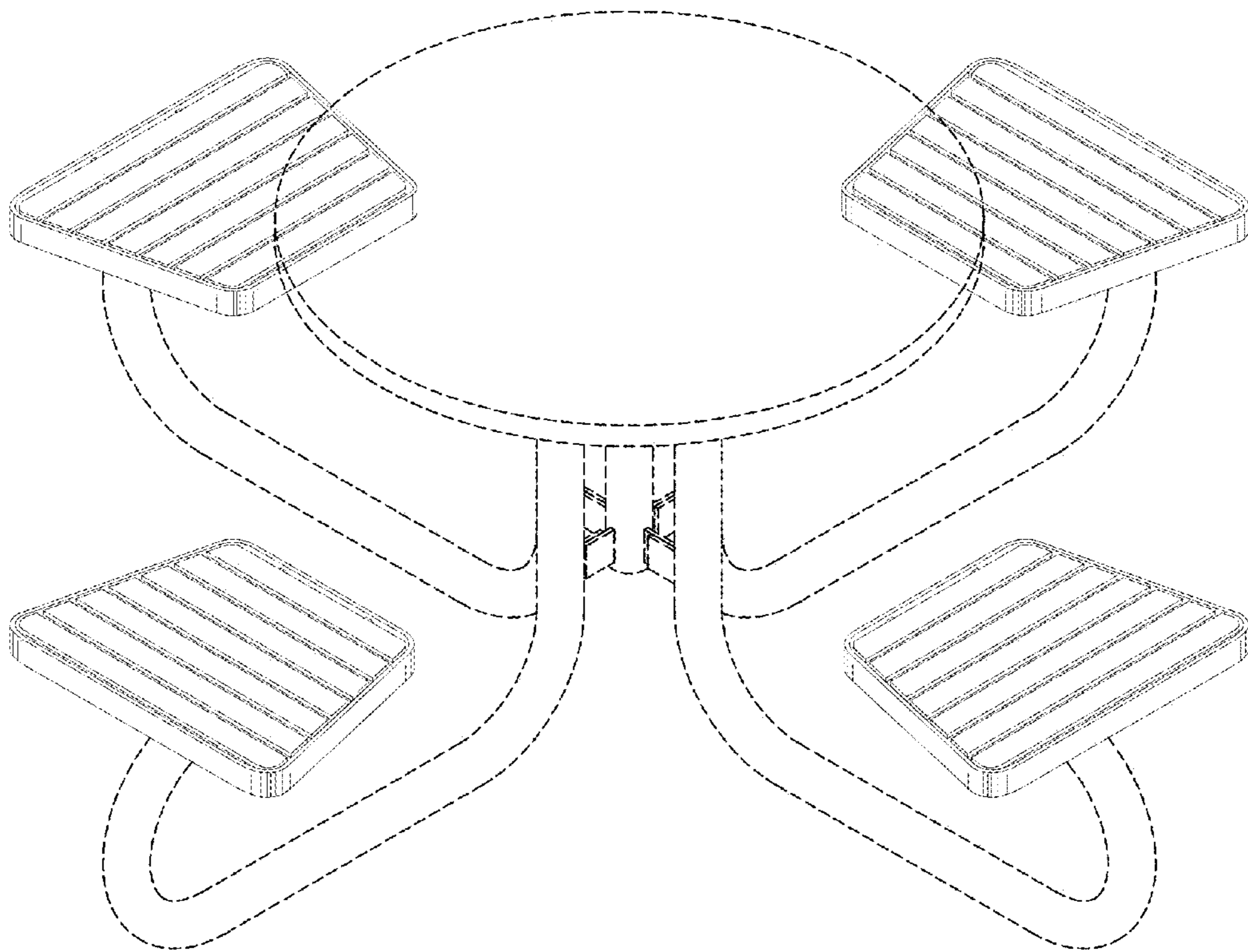


FIG. 1

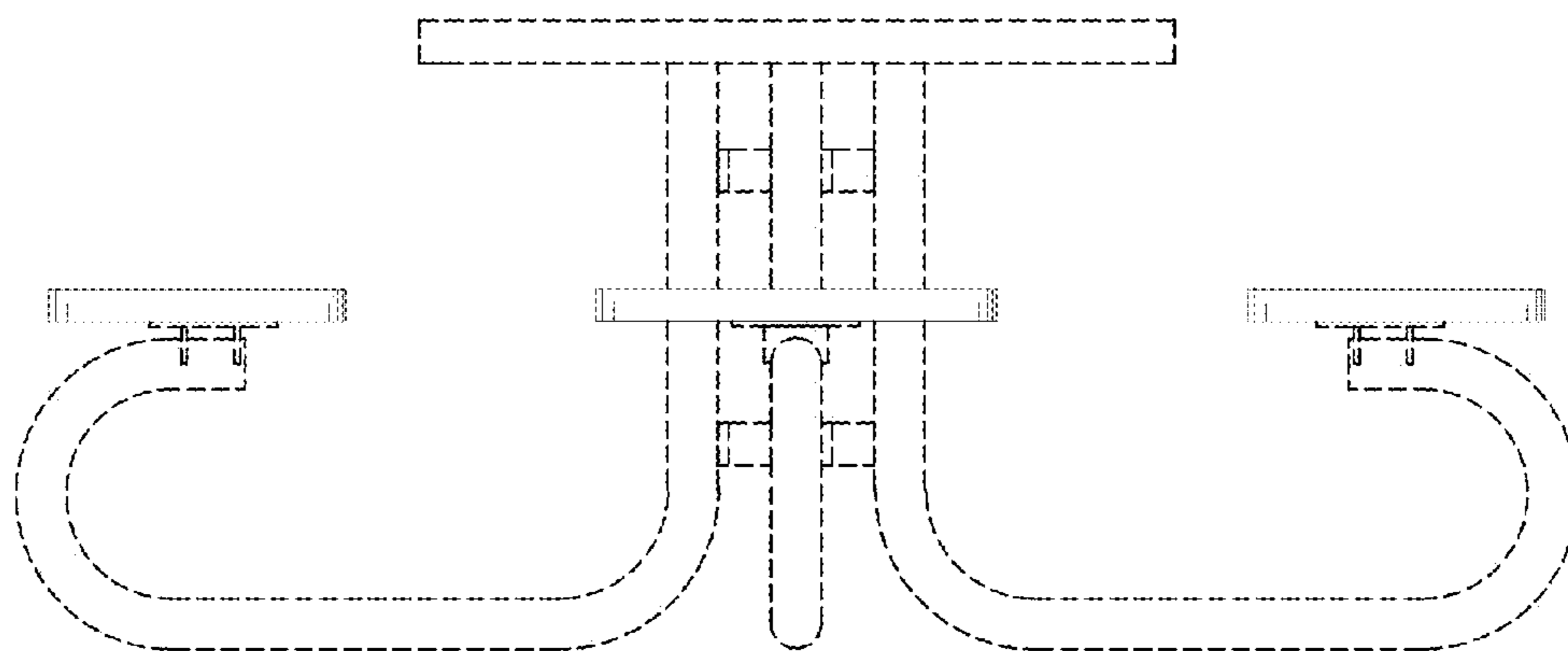


FIG. 2

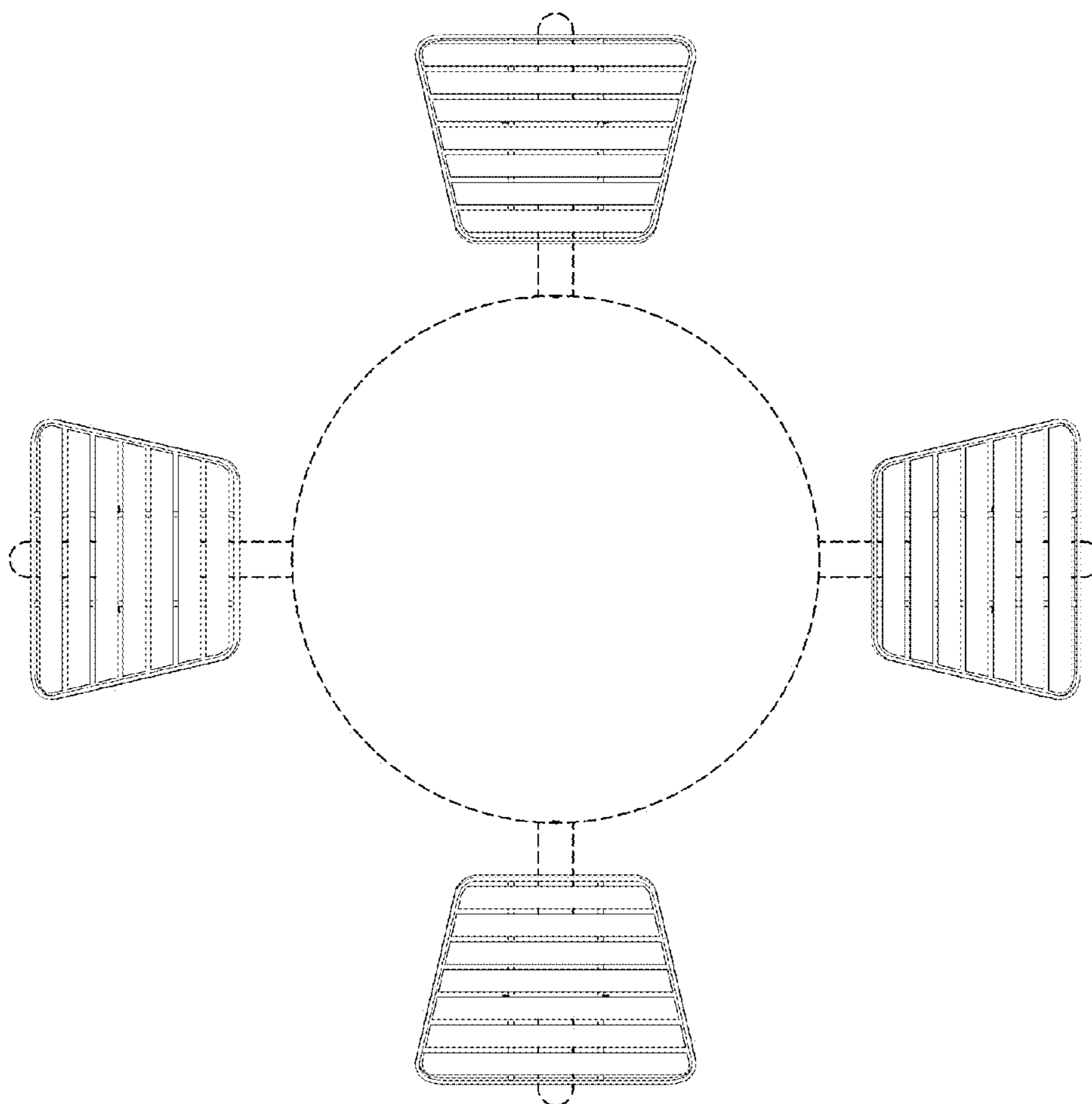


FIG. 3

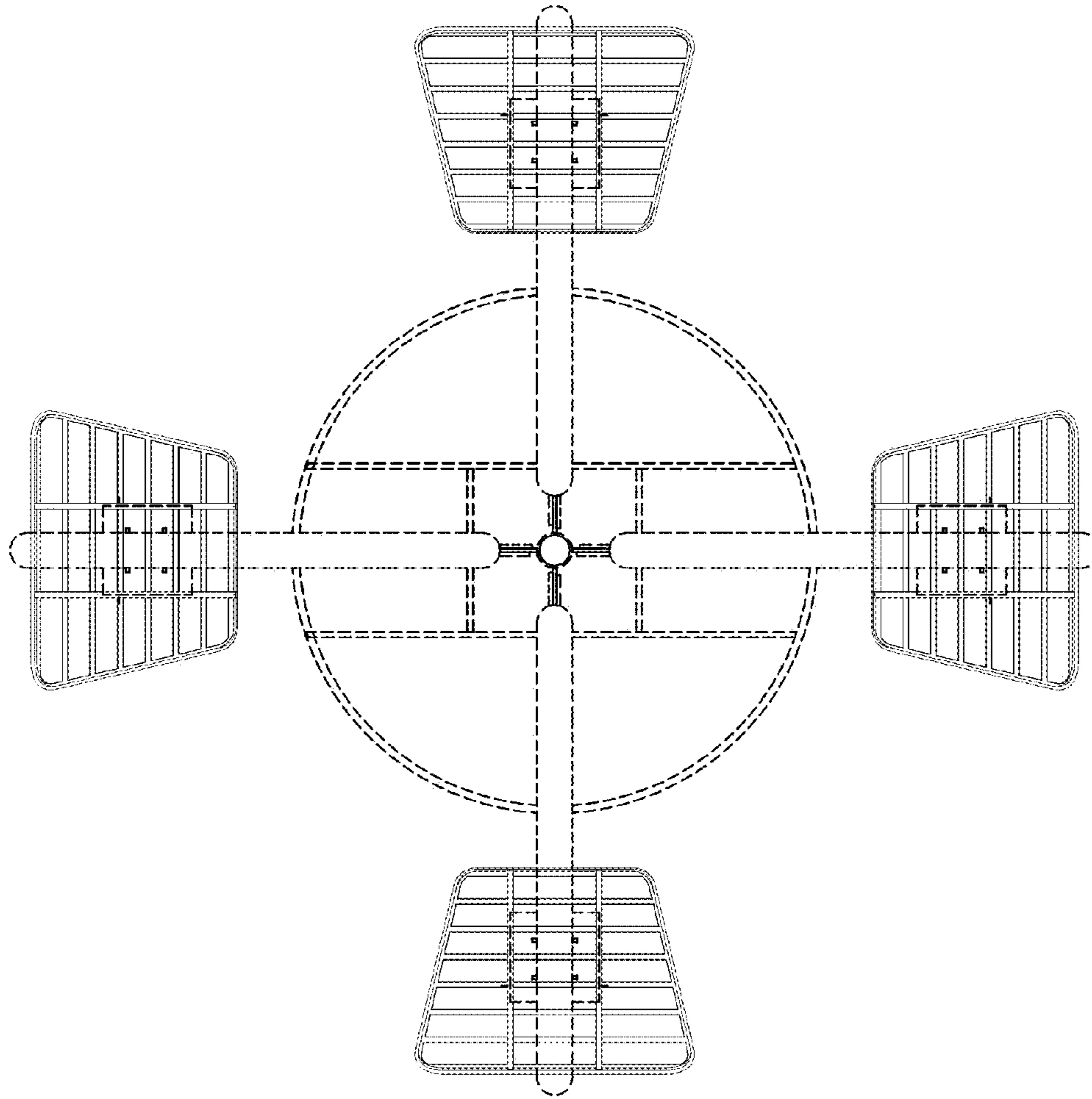


FIG. 4

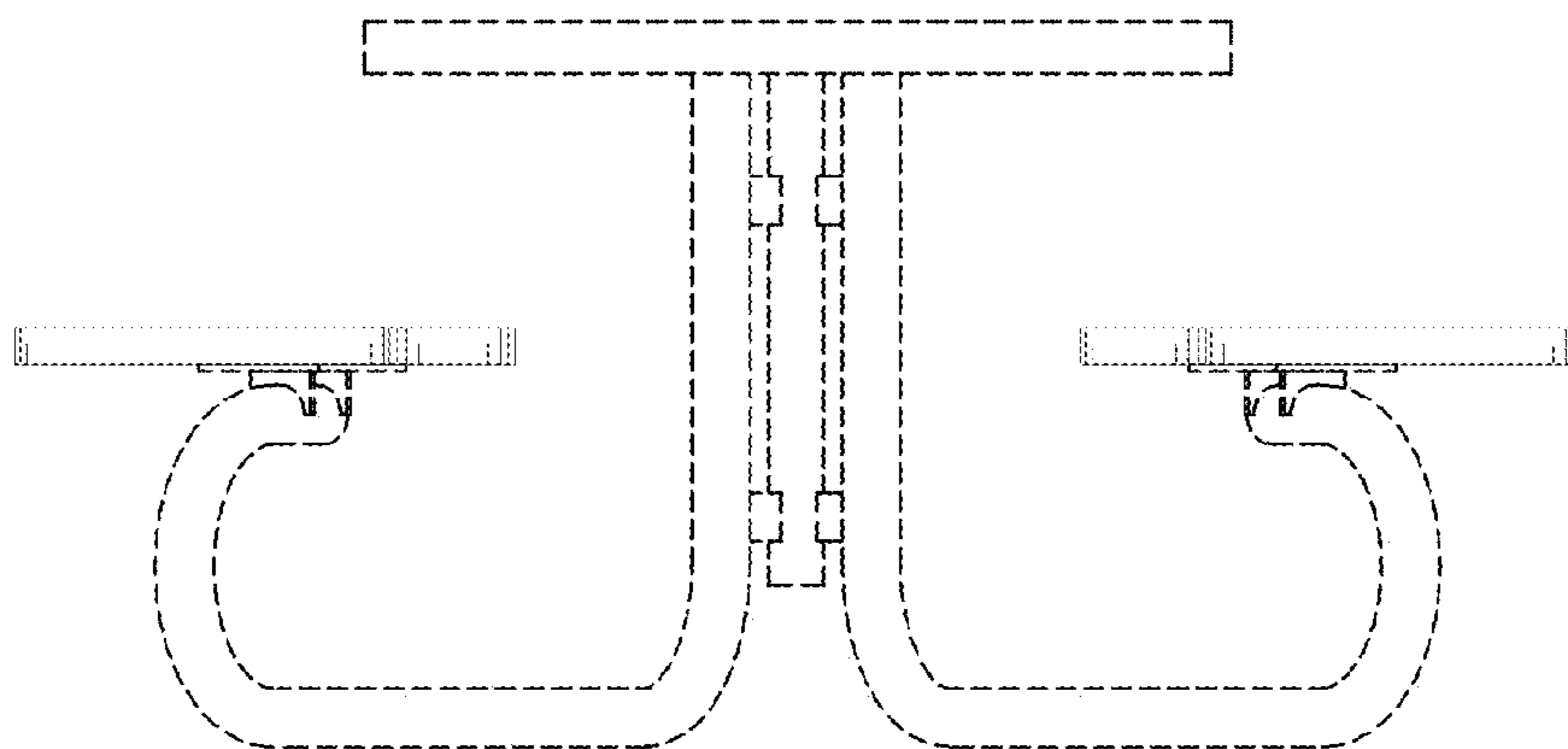


FIG. 5

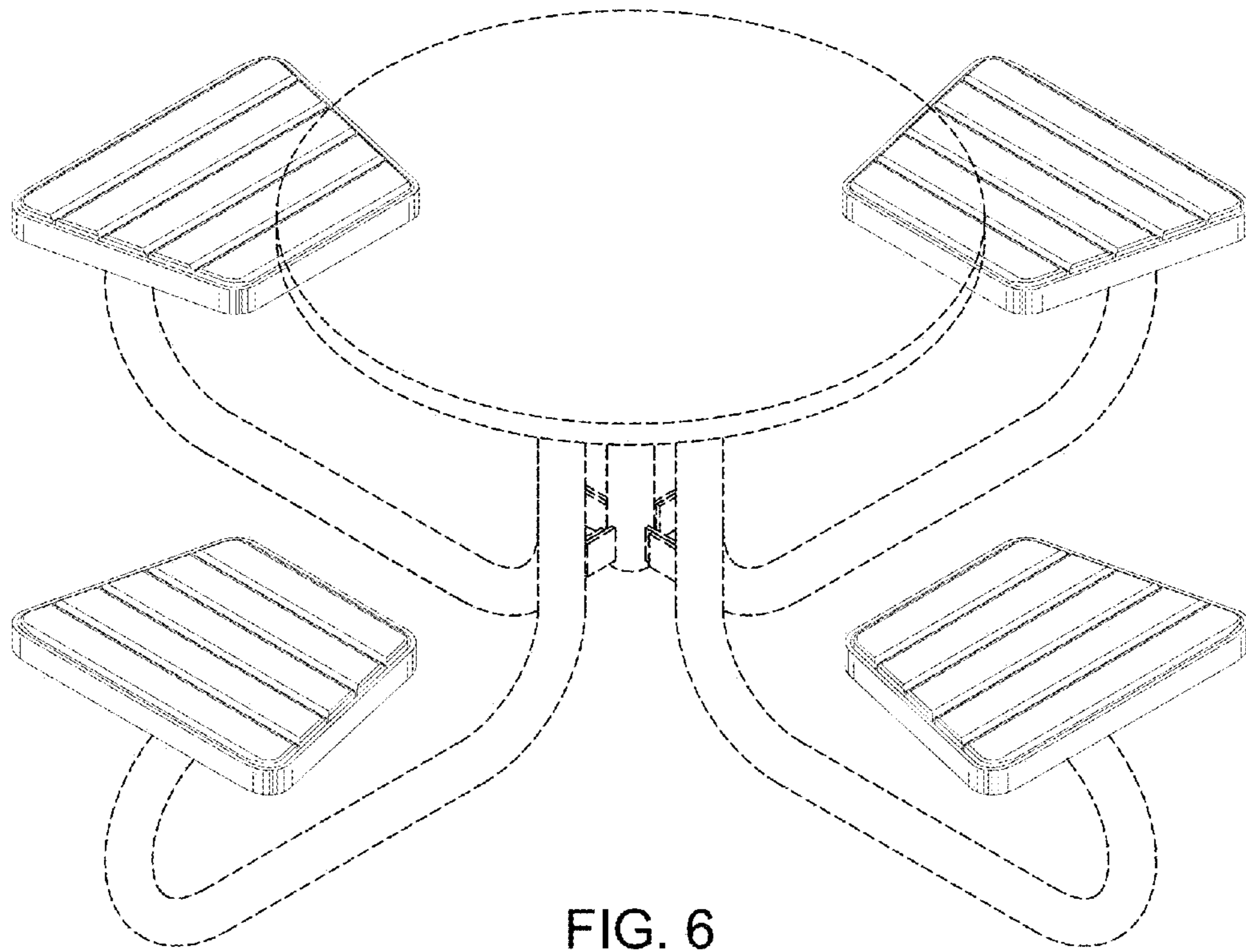


FIG. 6

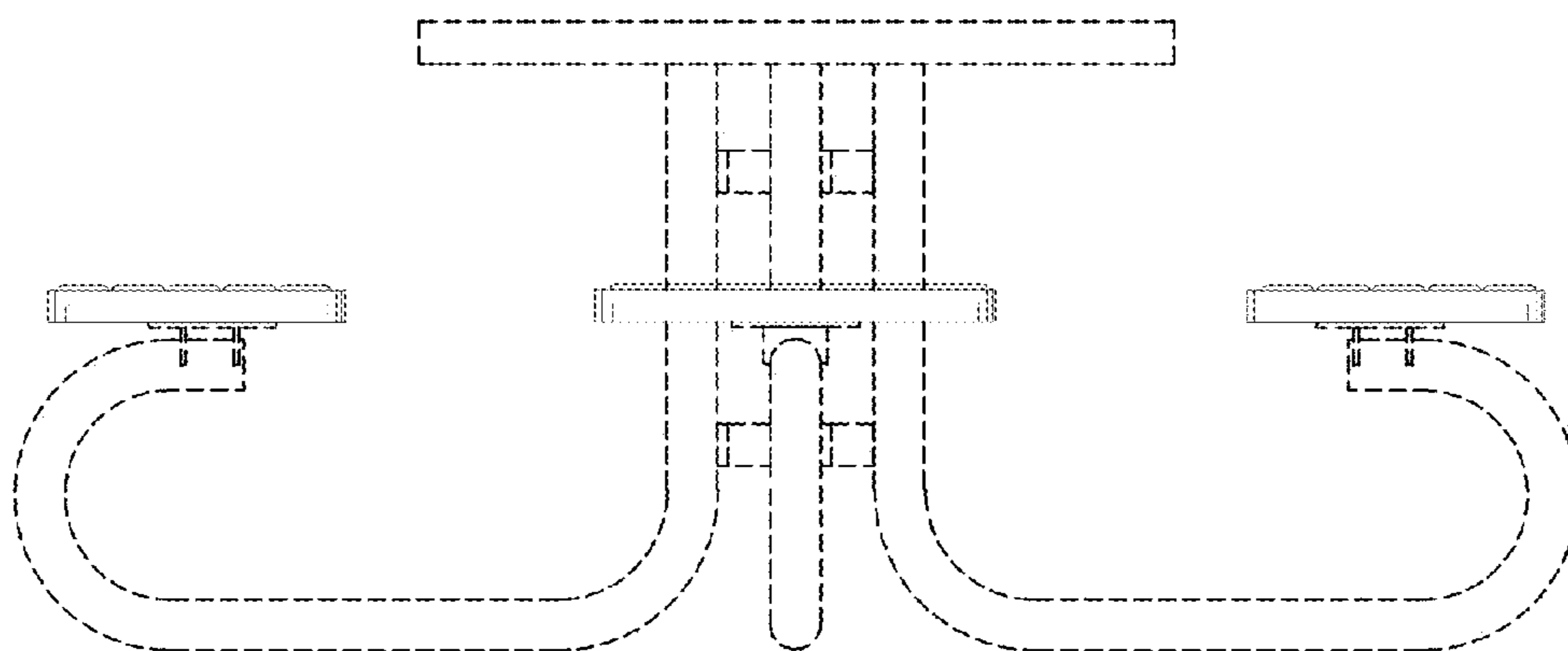


FIG. 7

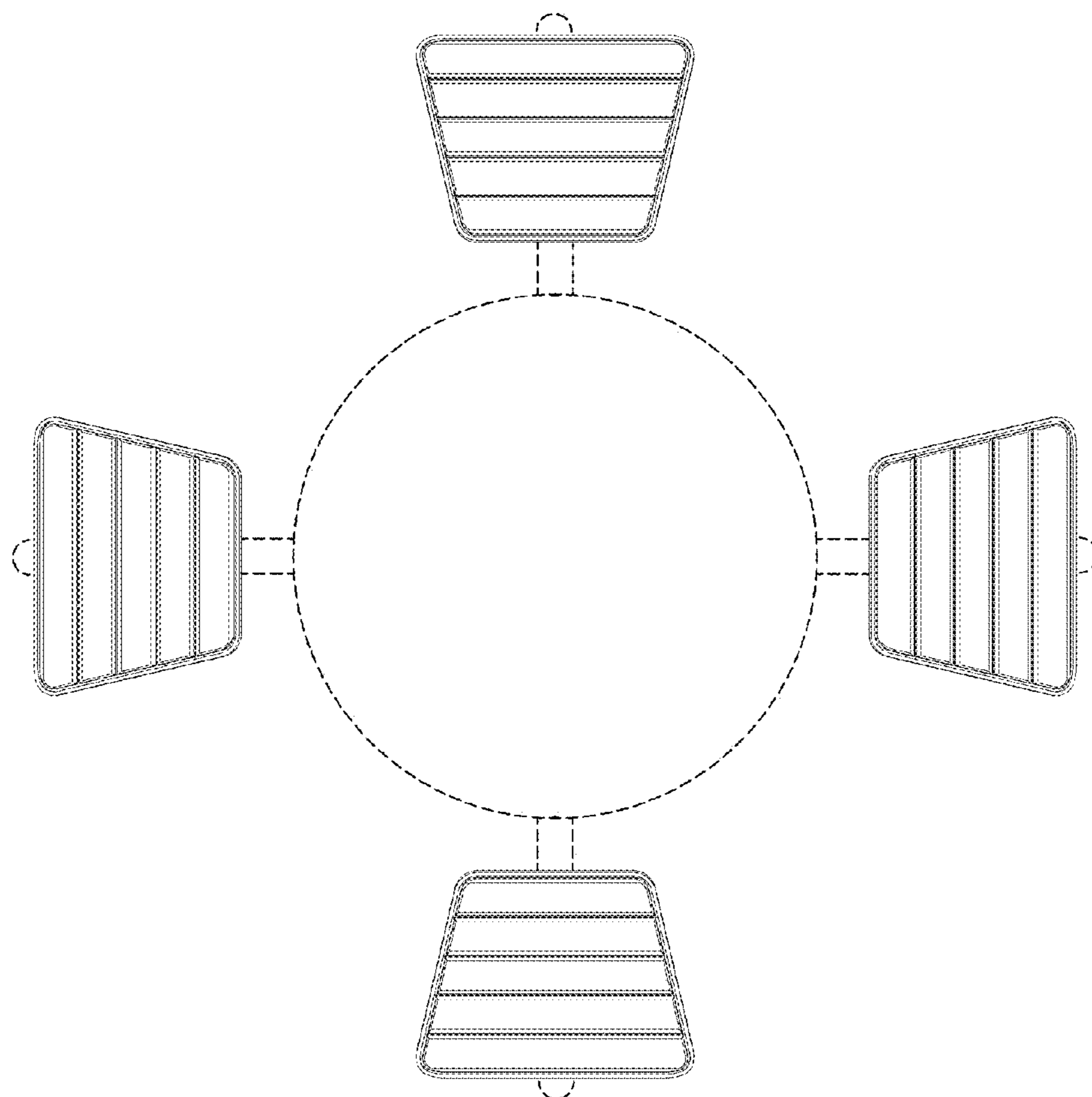


FIG. 8

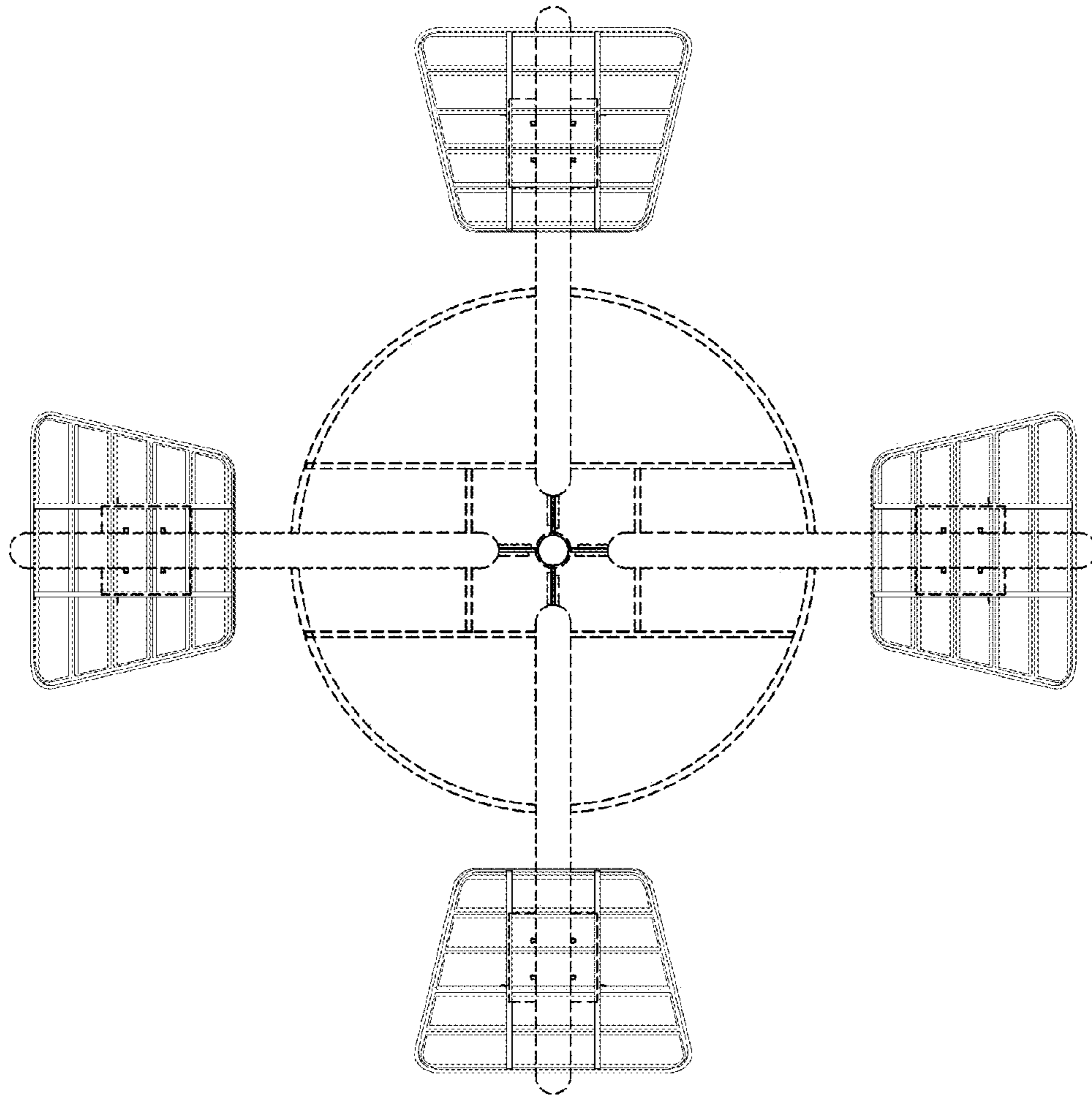


FIG. 9

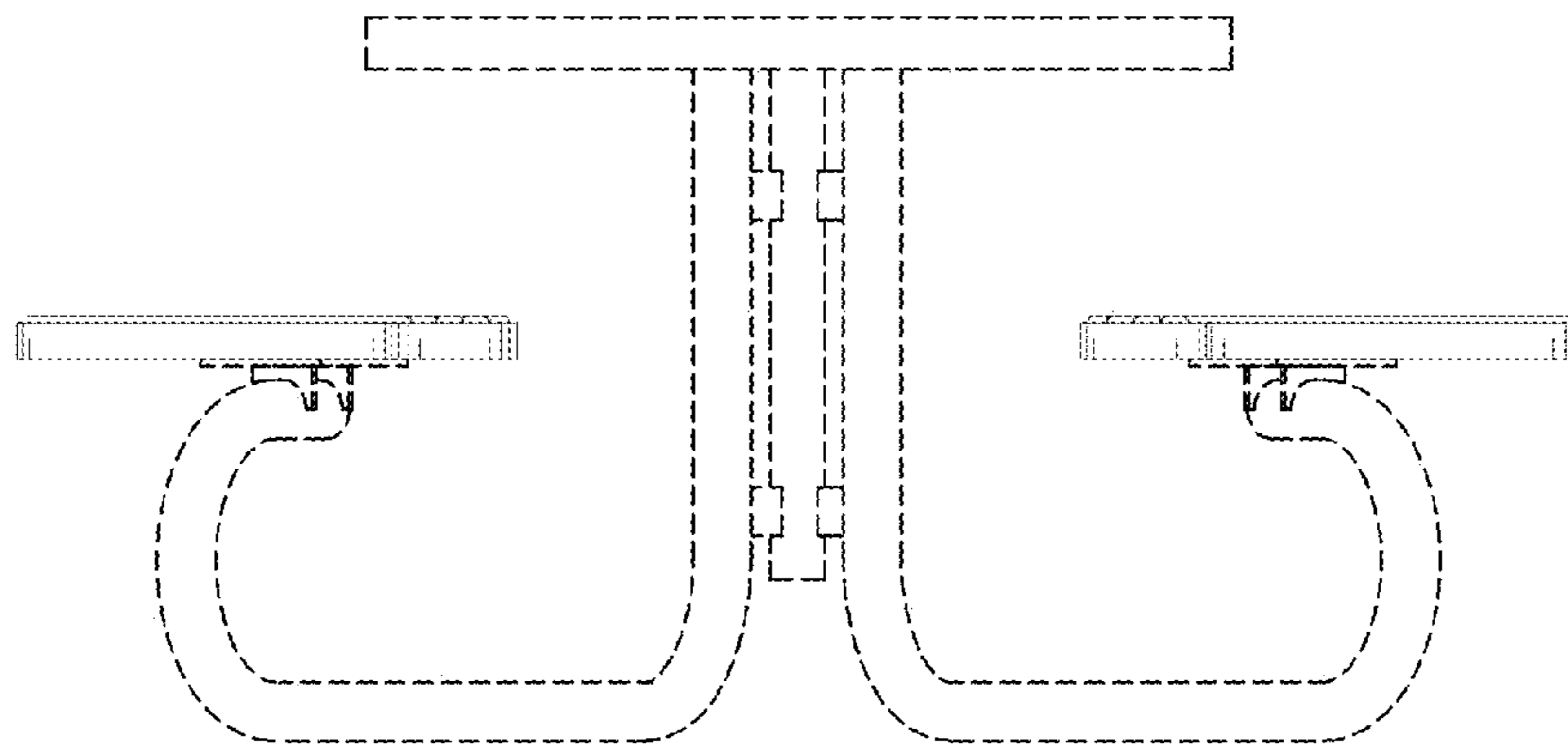


FIG. 10



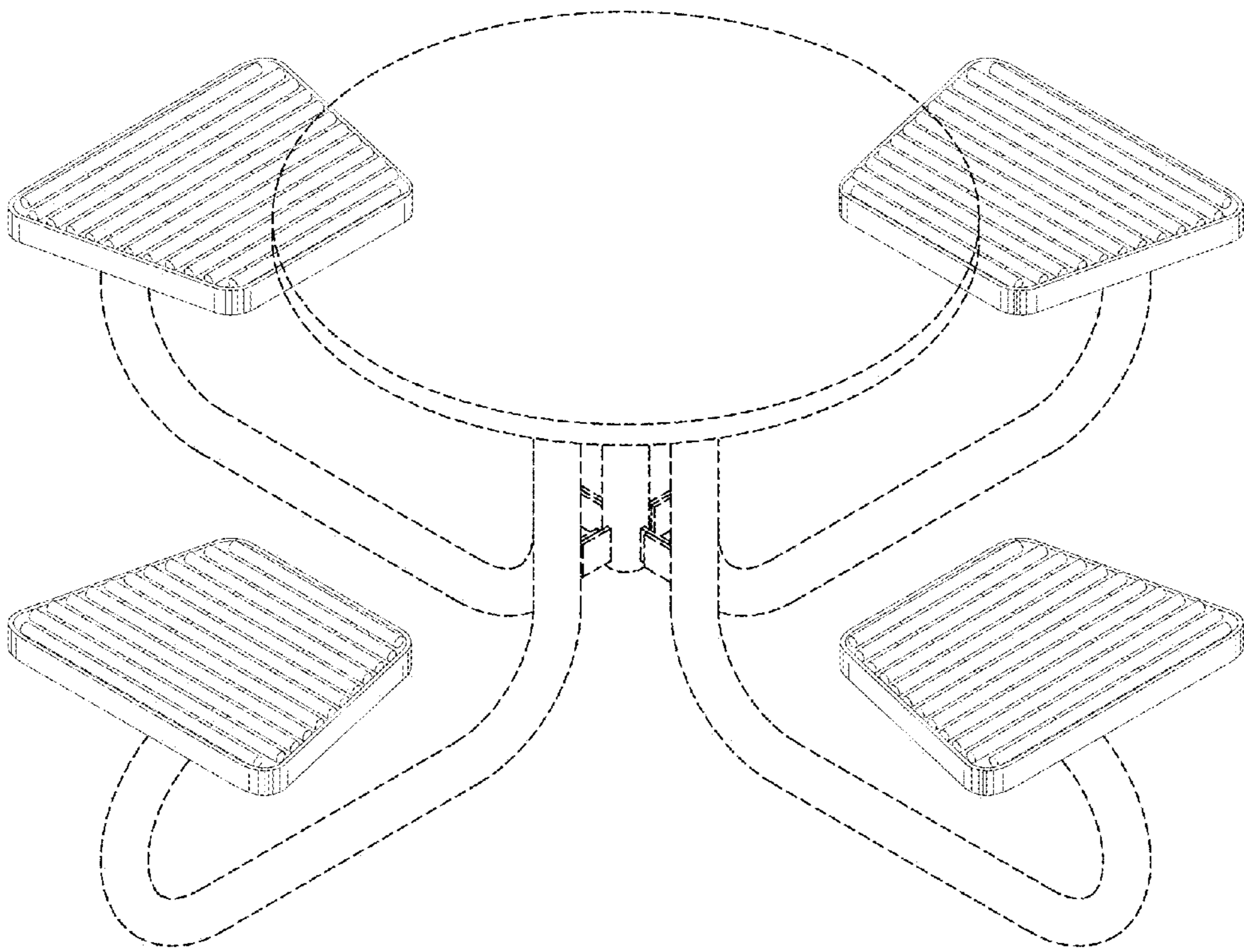


FIG. 11

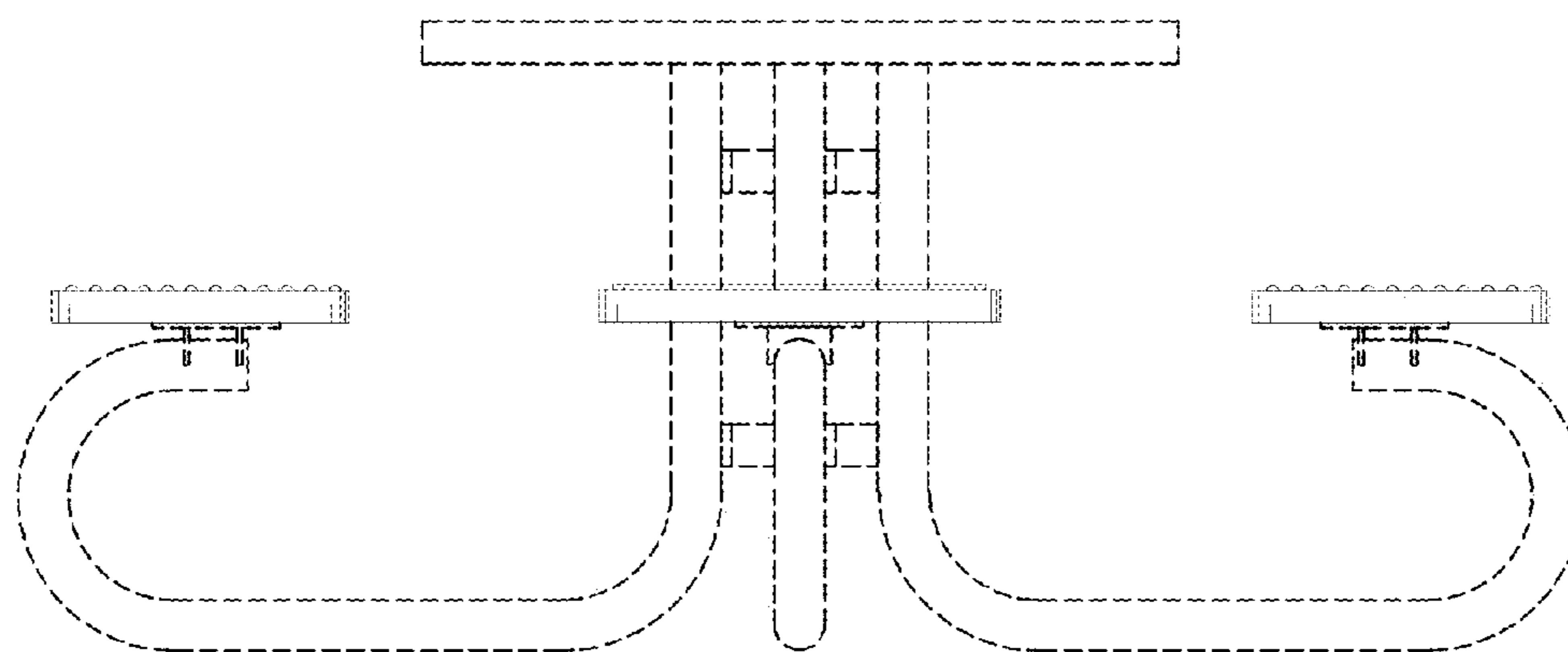


FIG. 12

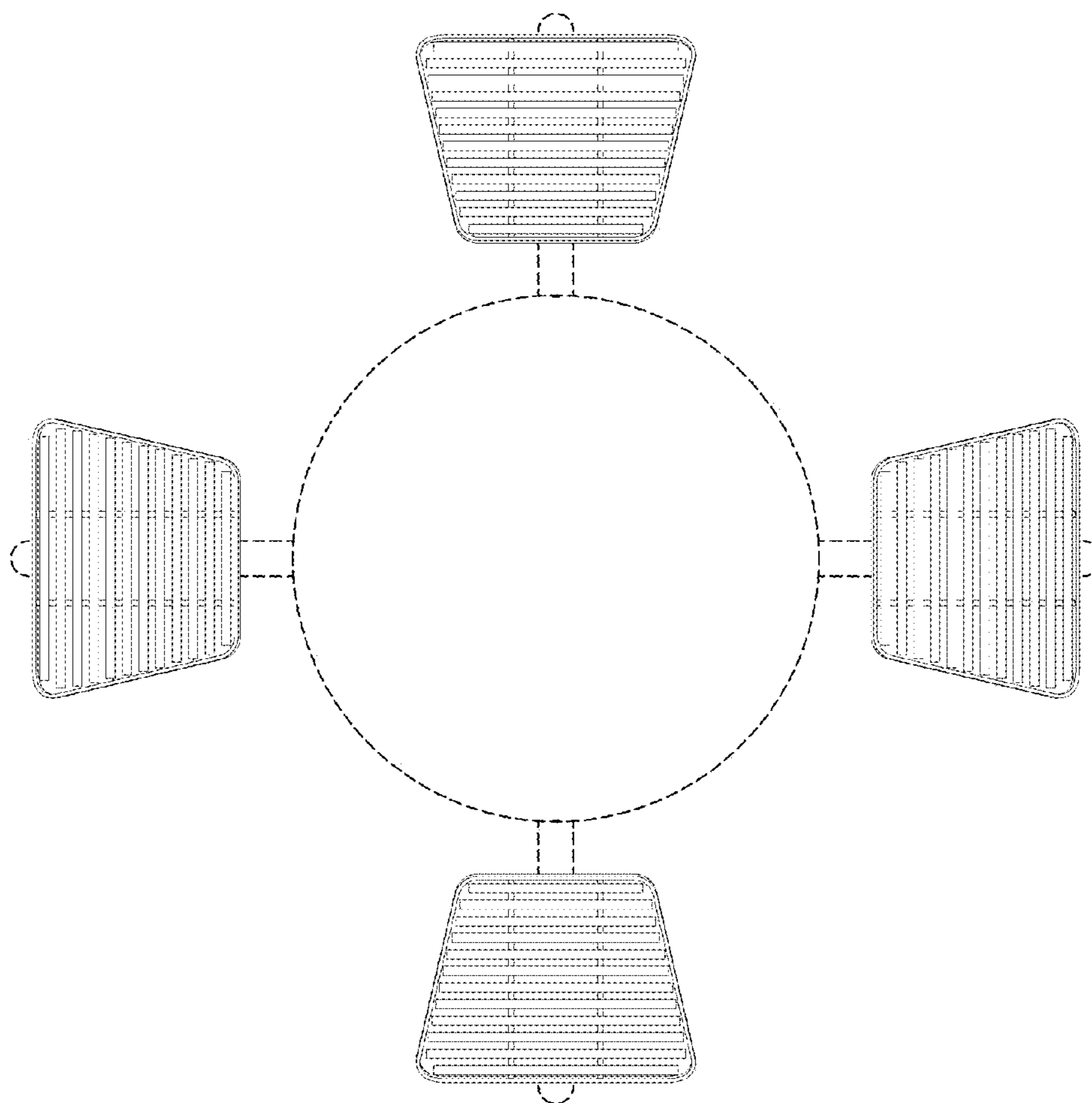


FIG. 13

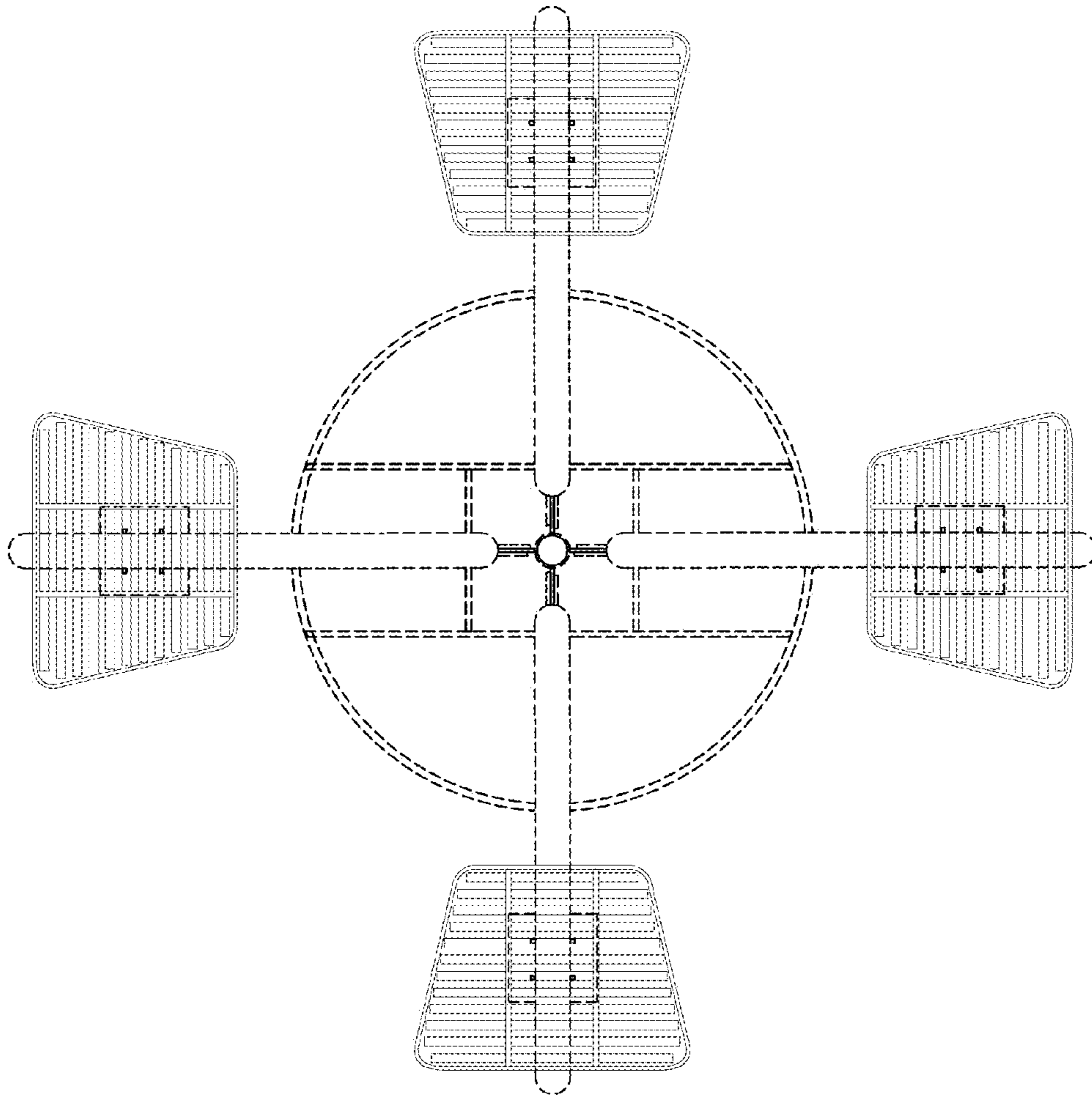


FIG. 14

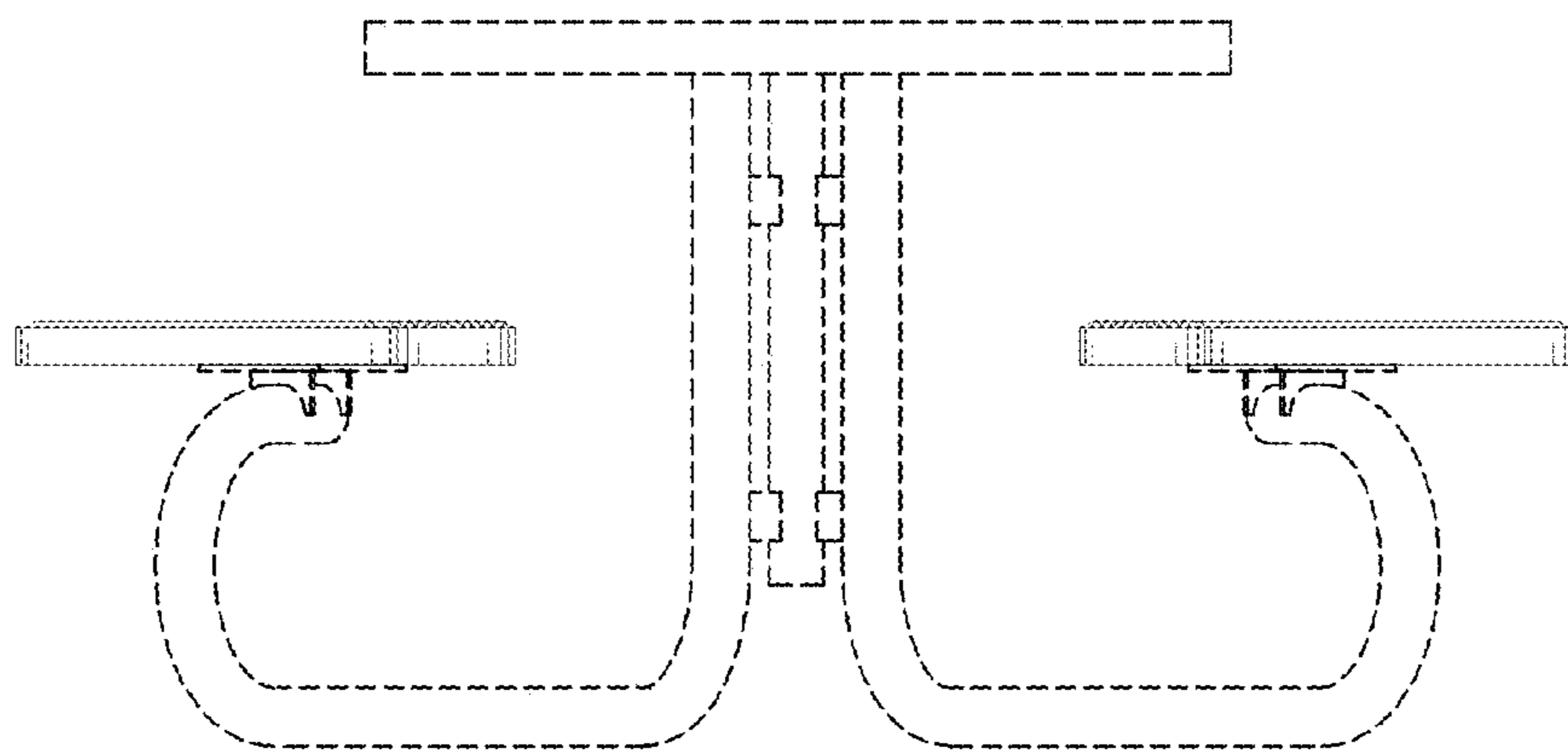


FIG. 15

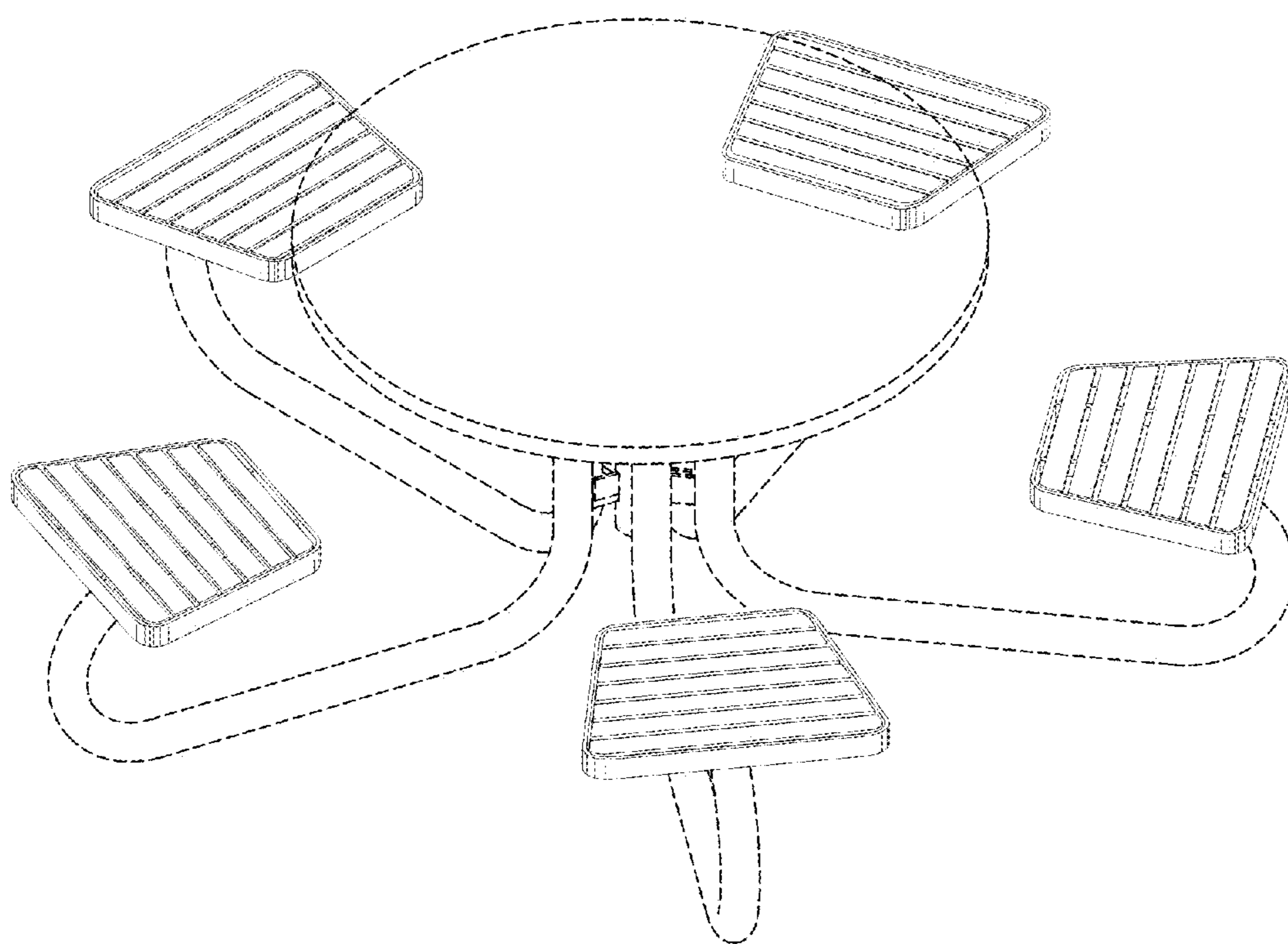


FIG. 16

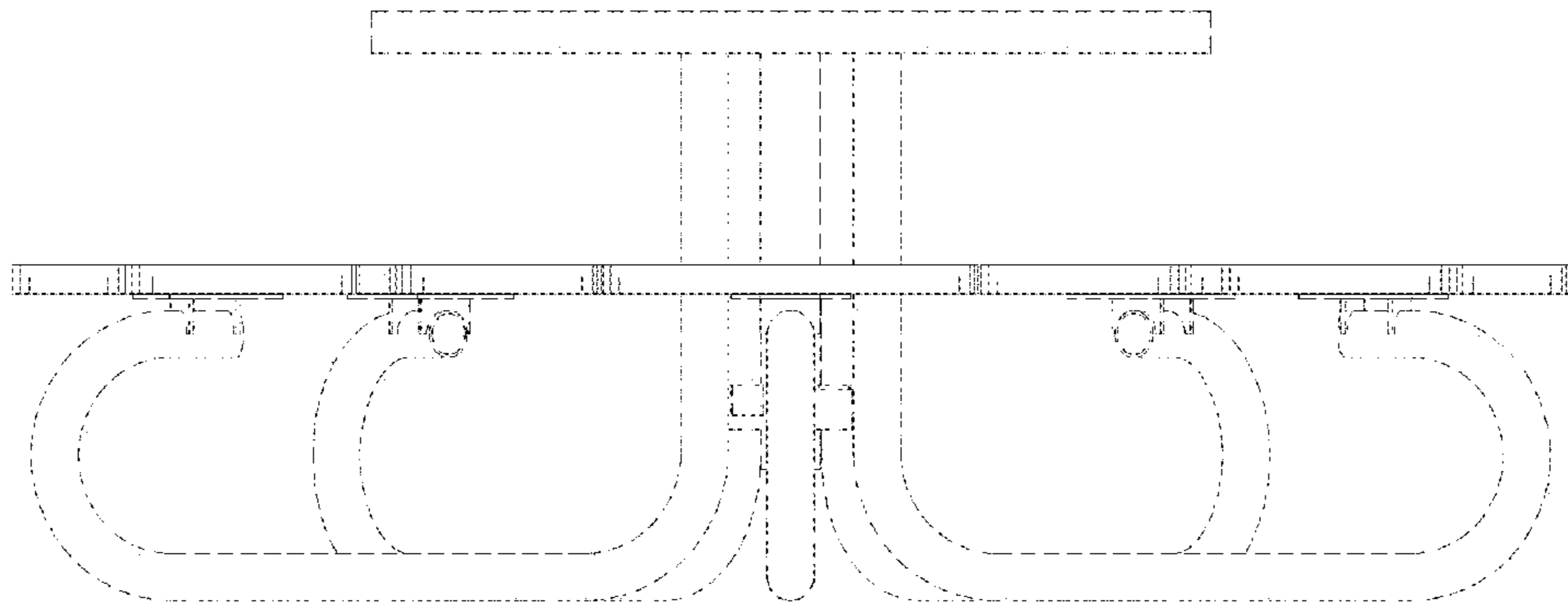


FIG. 17

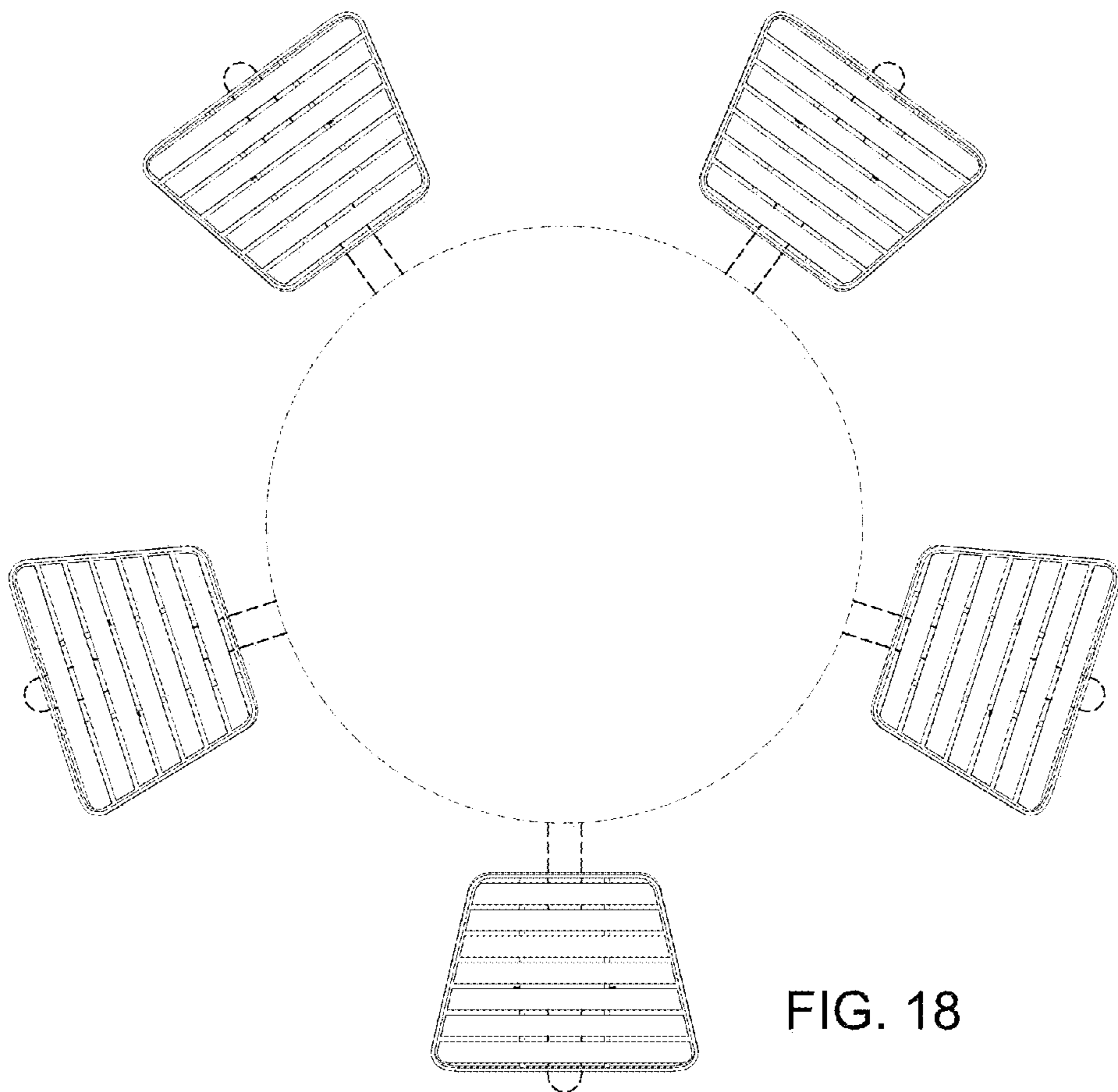


FIG. 18

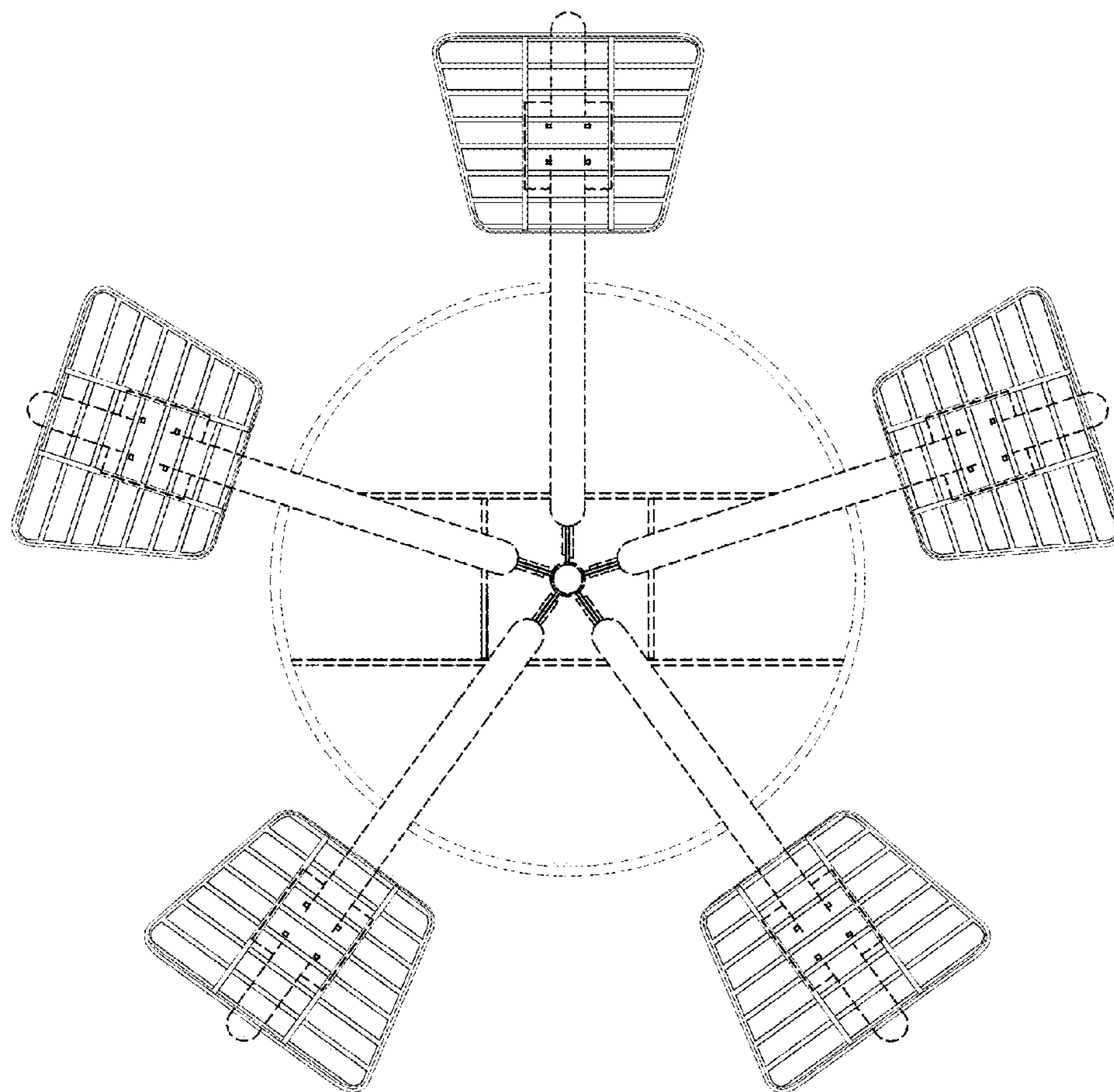


FIG. 19

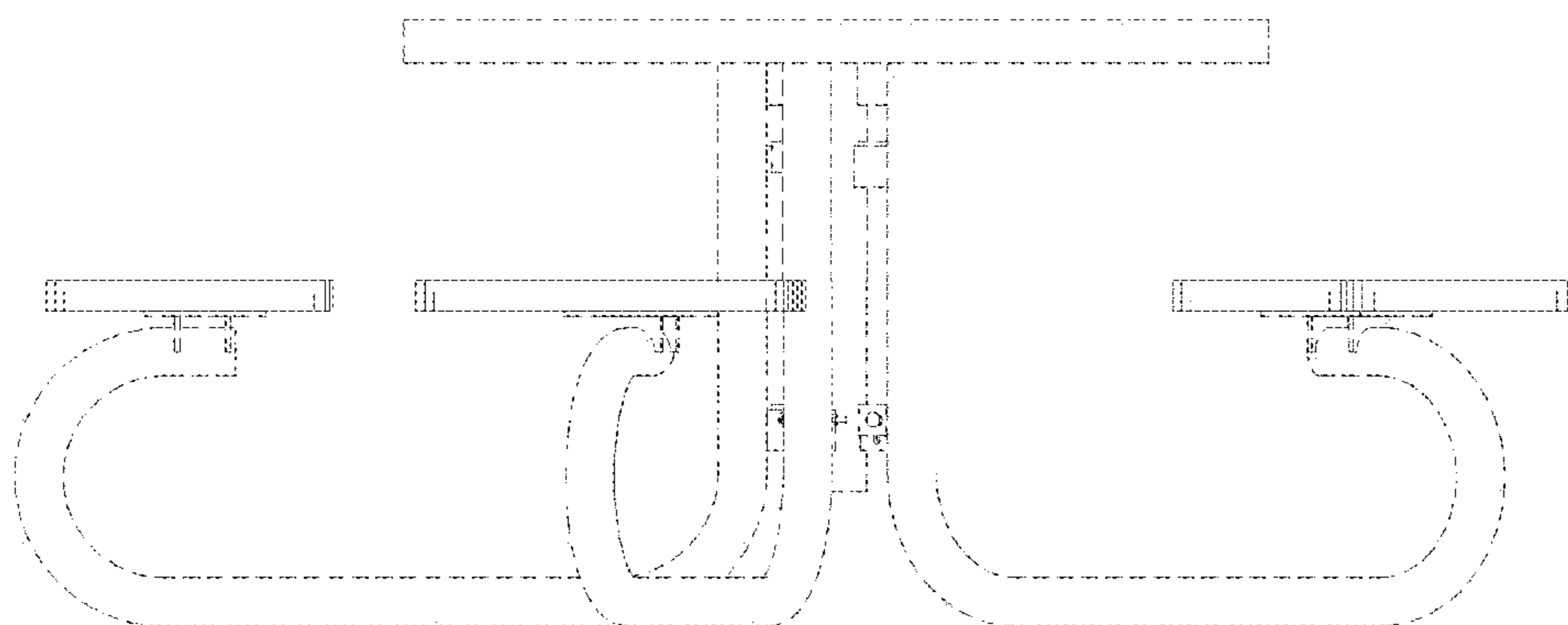


FIG. 20

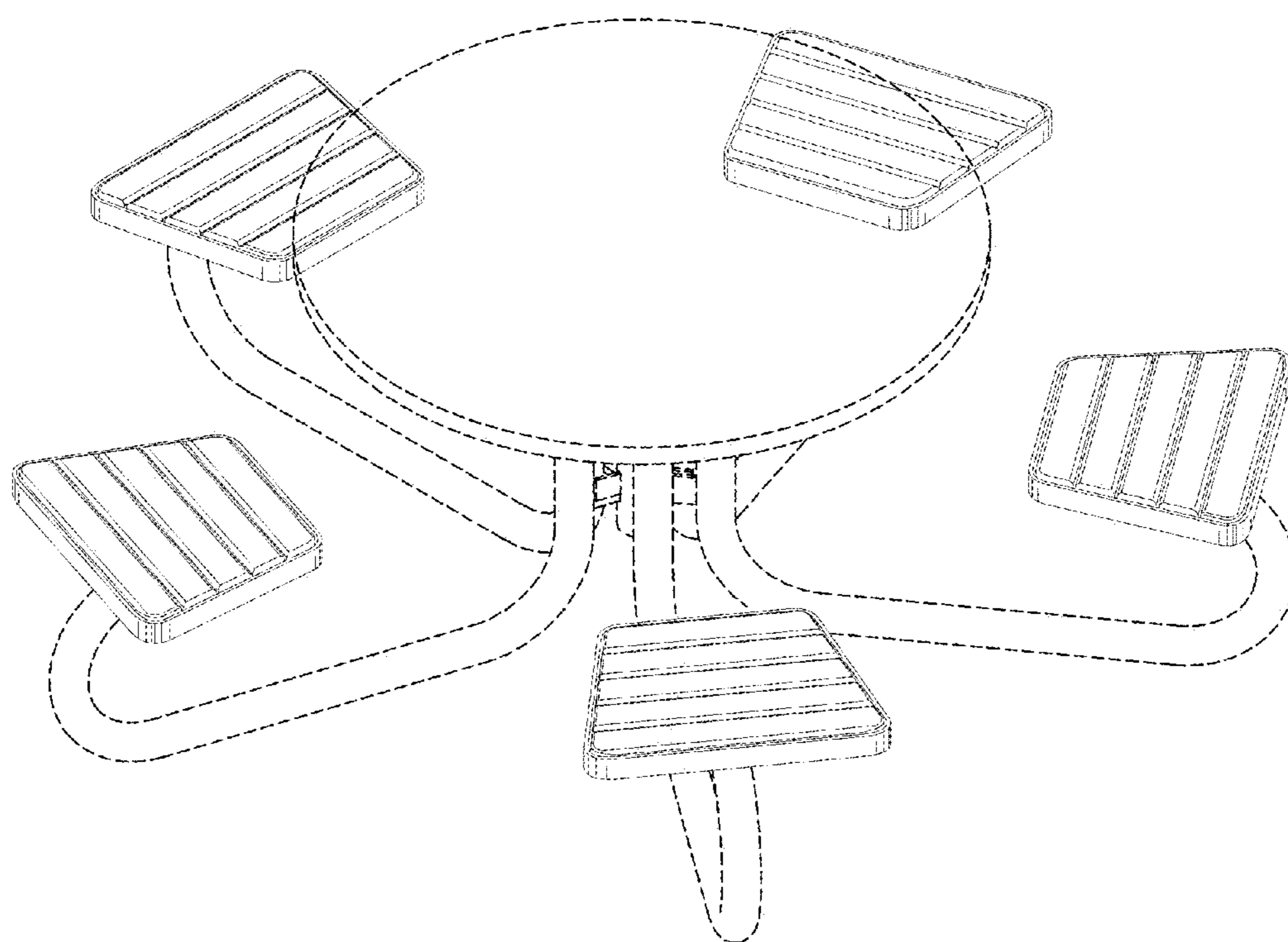


FIG. 21

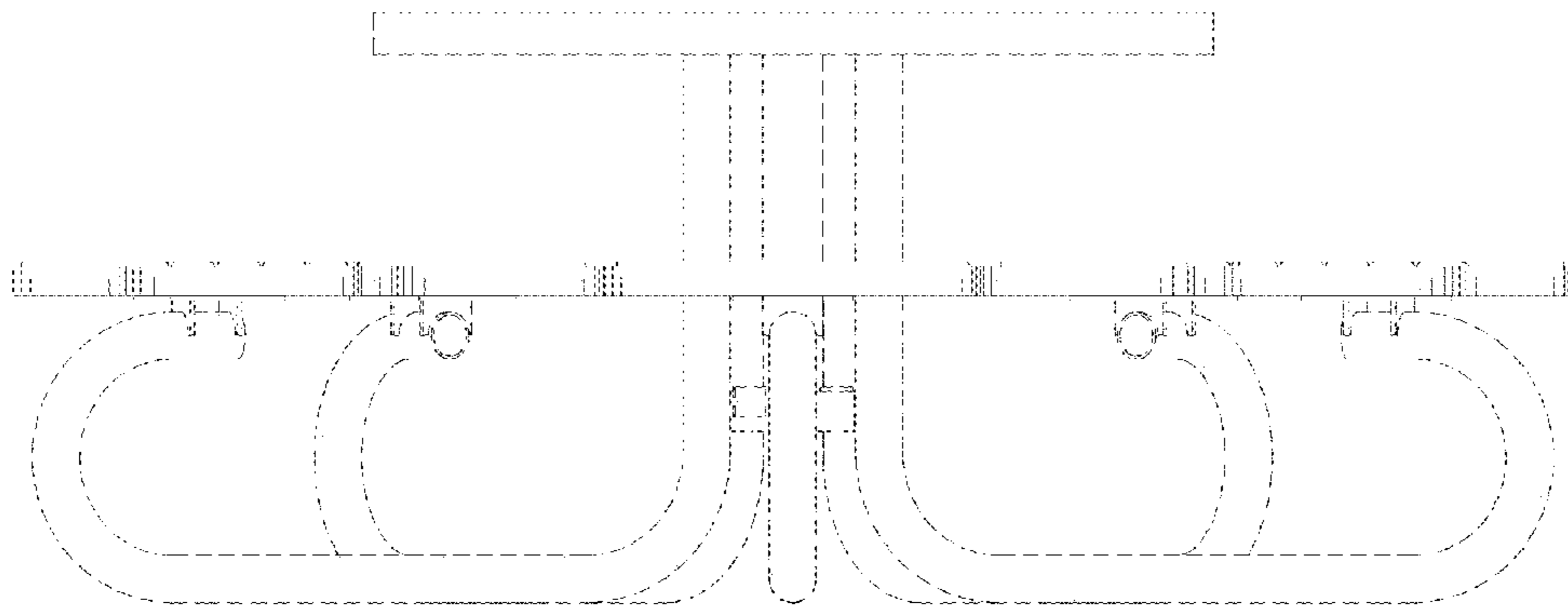


FIG. 22

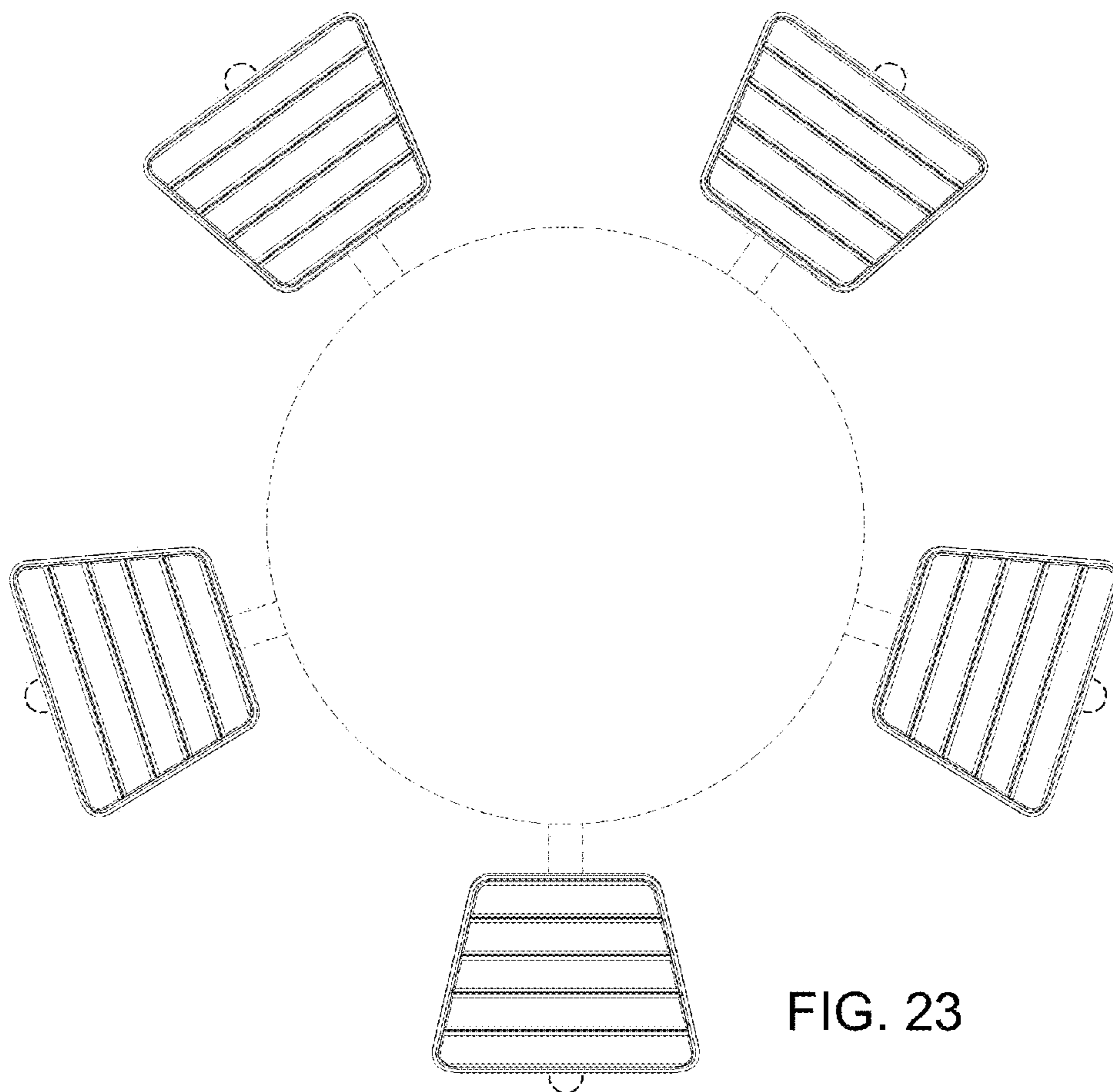


FIG. 23



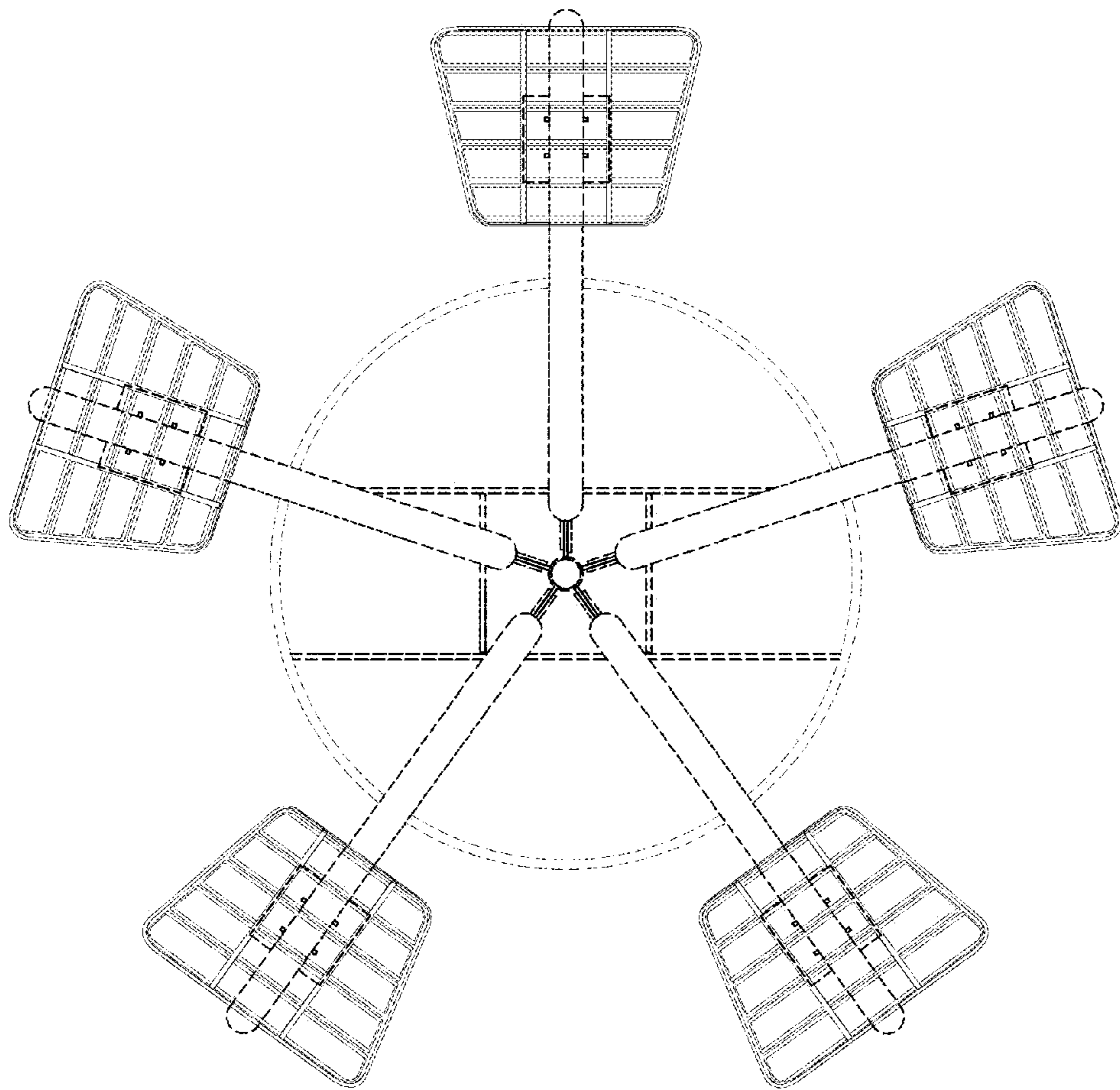


FIG. 24

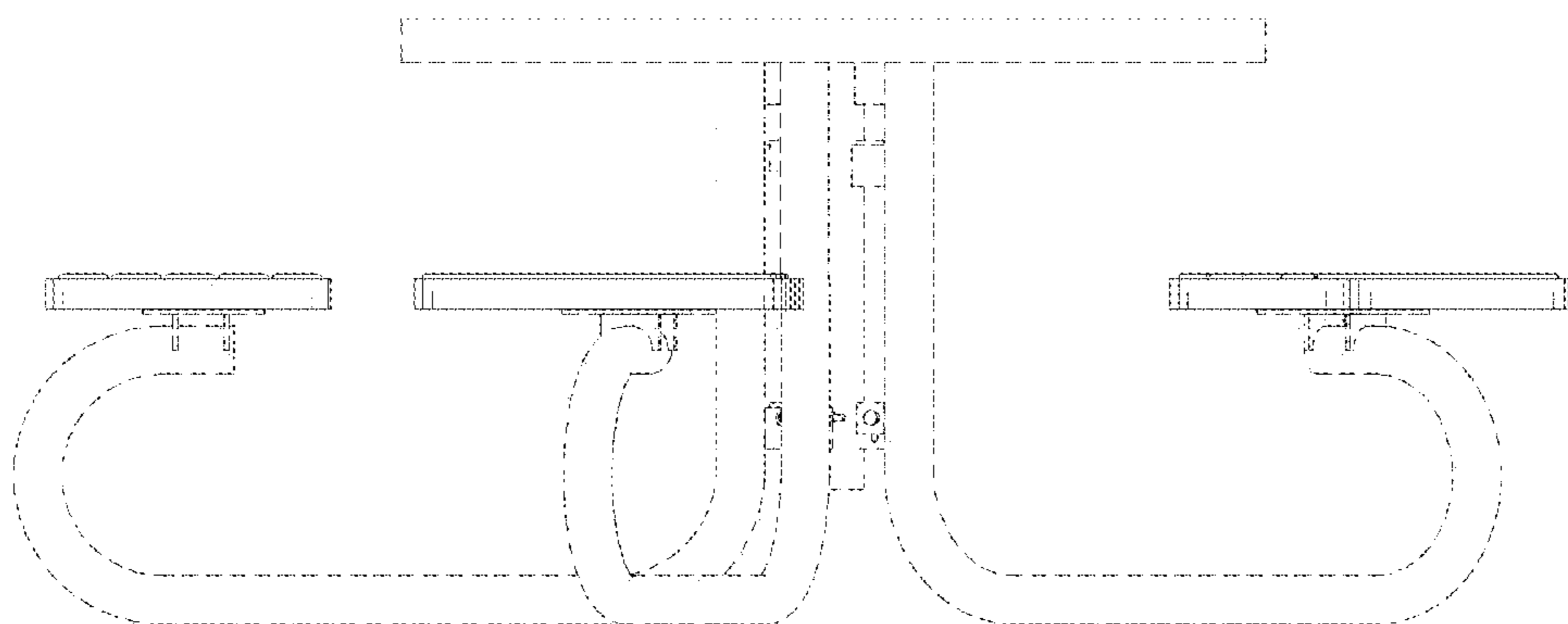


FIG. 25

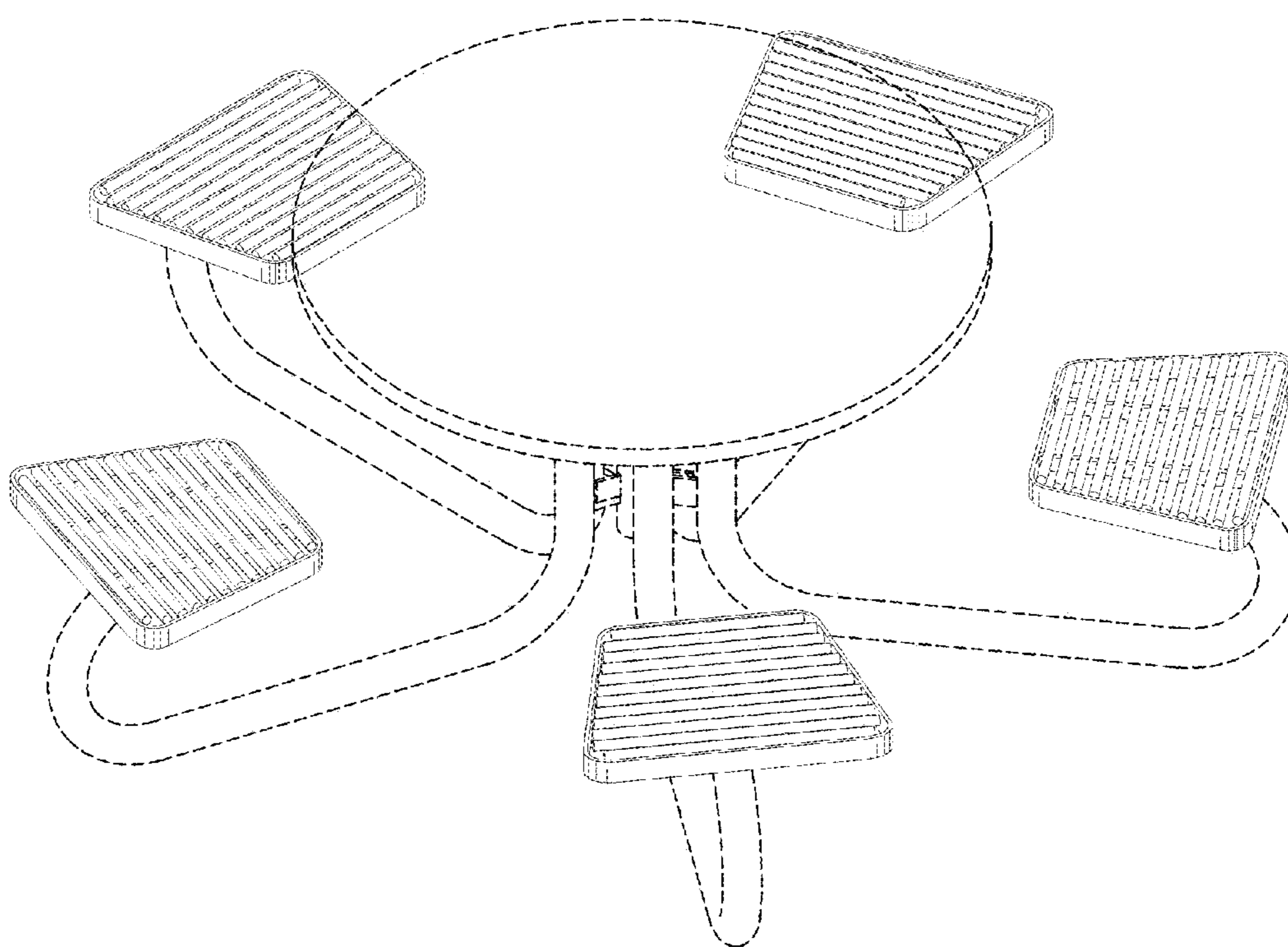


FIG. 26

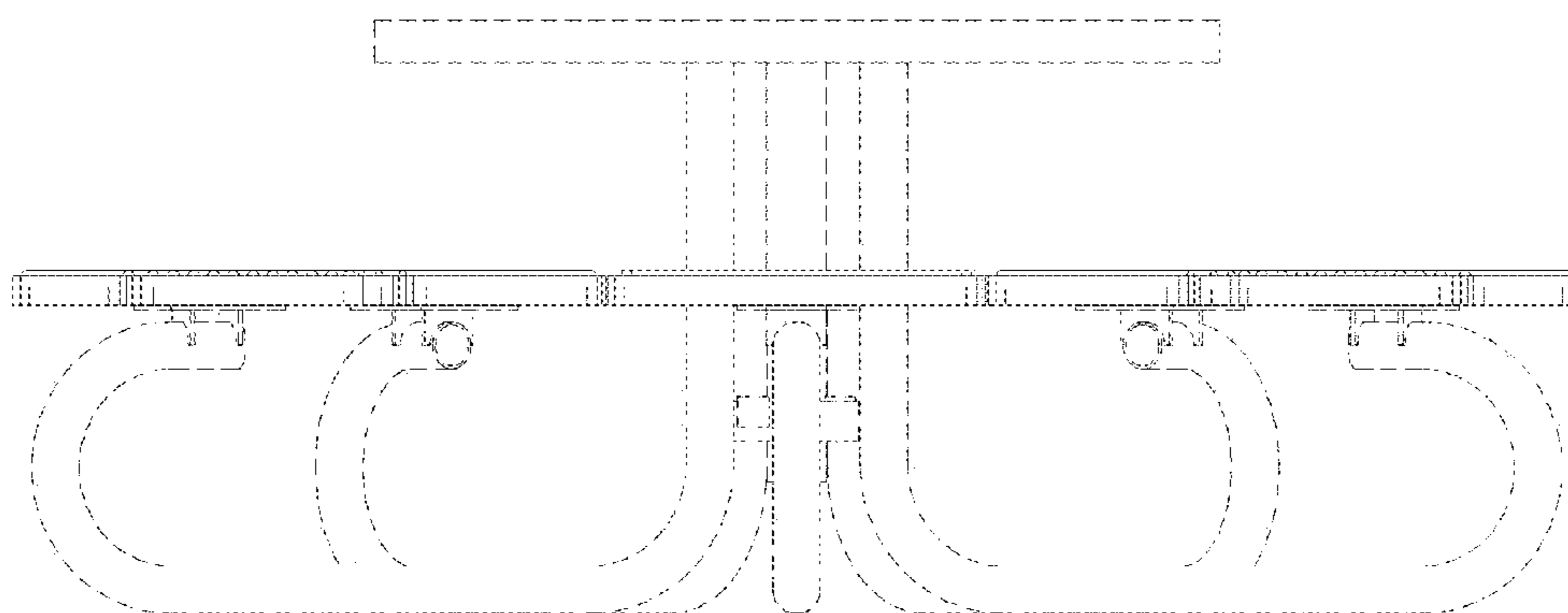


FIG. 27

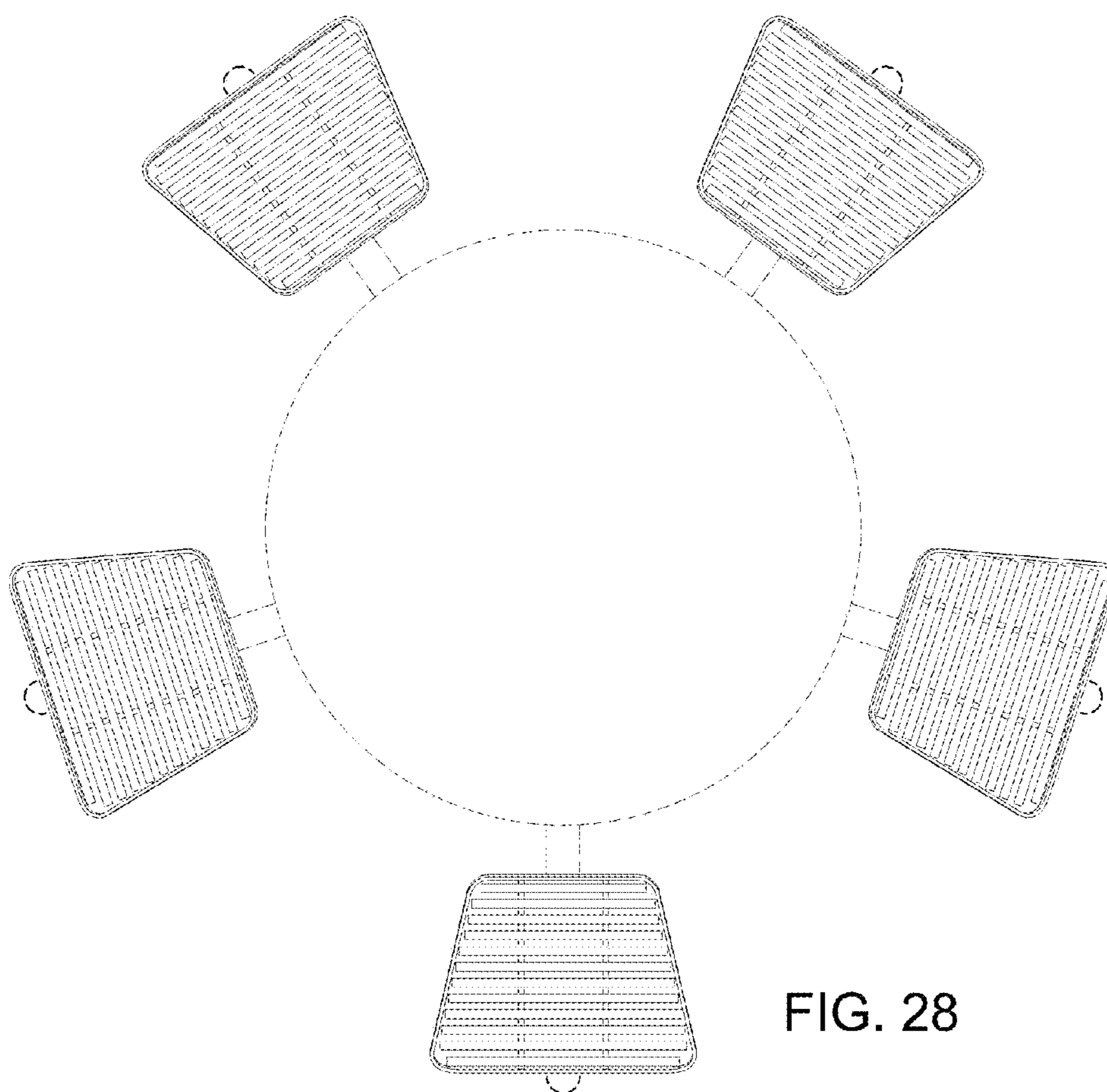


FIG. 28

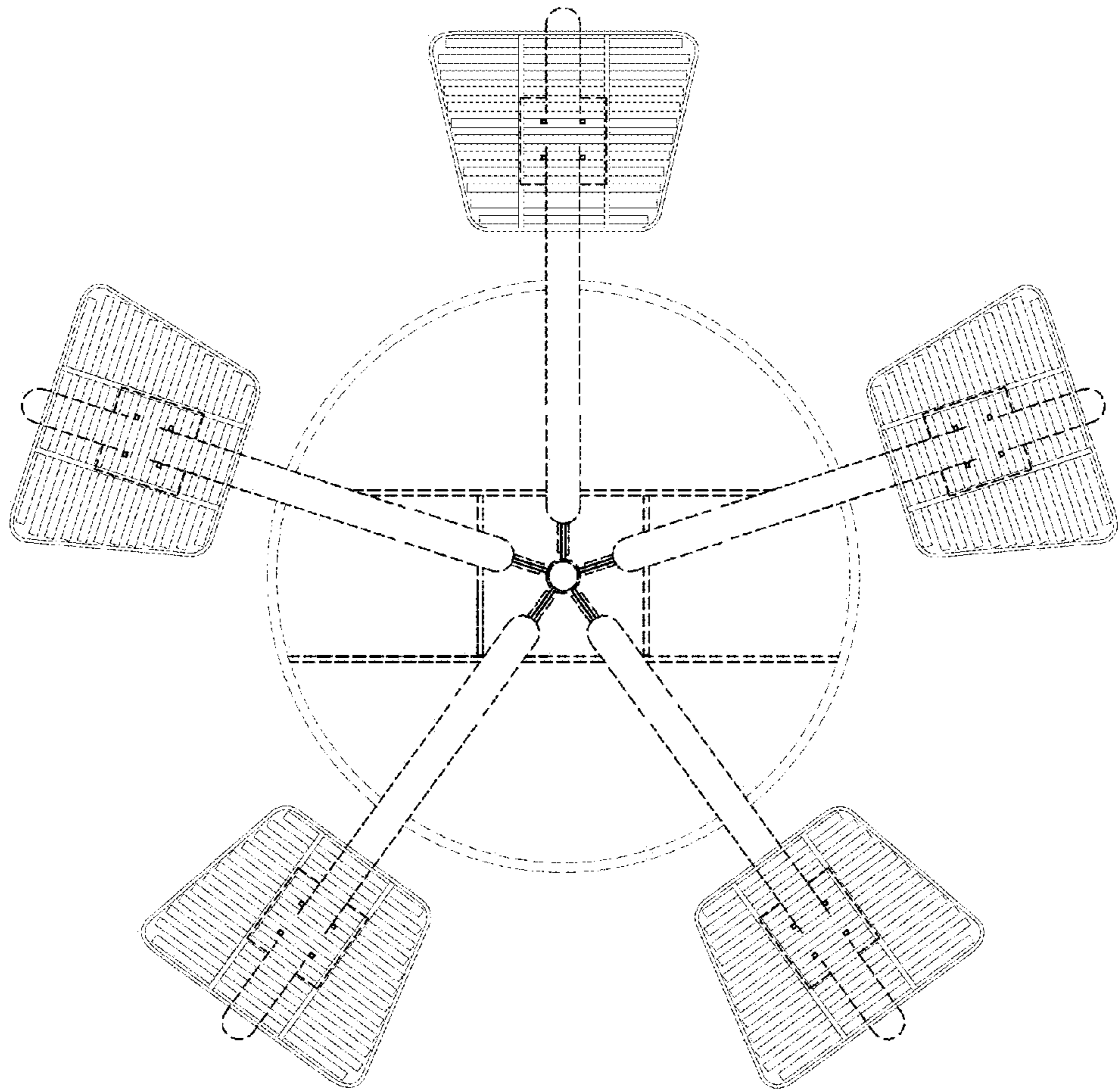


FIG. 29

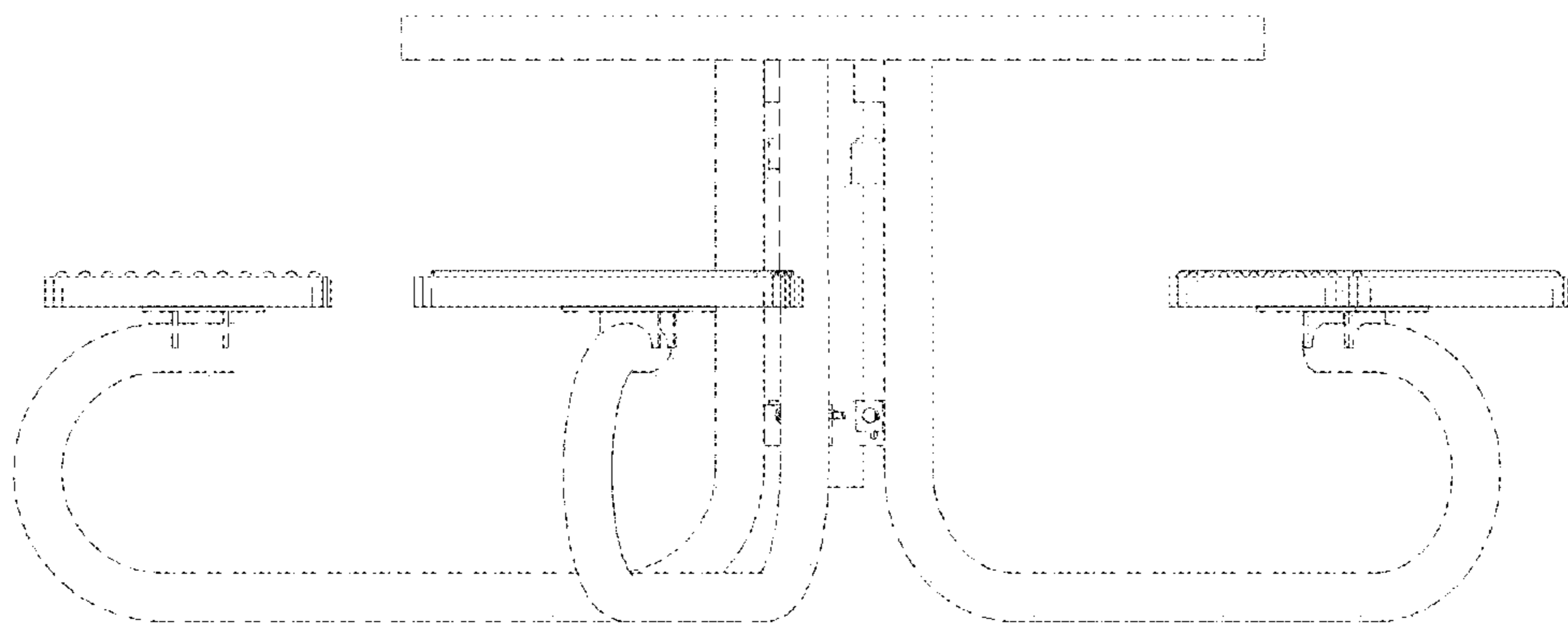


FIG. 30

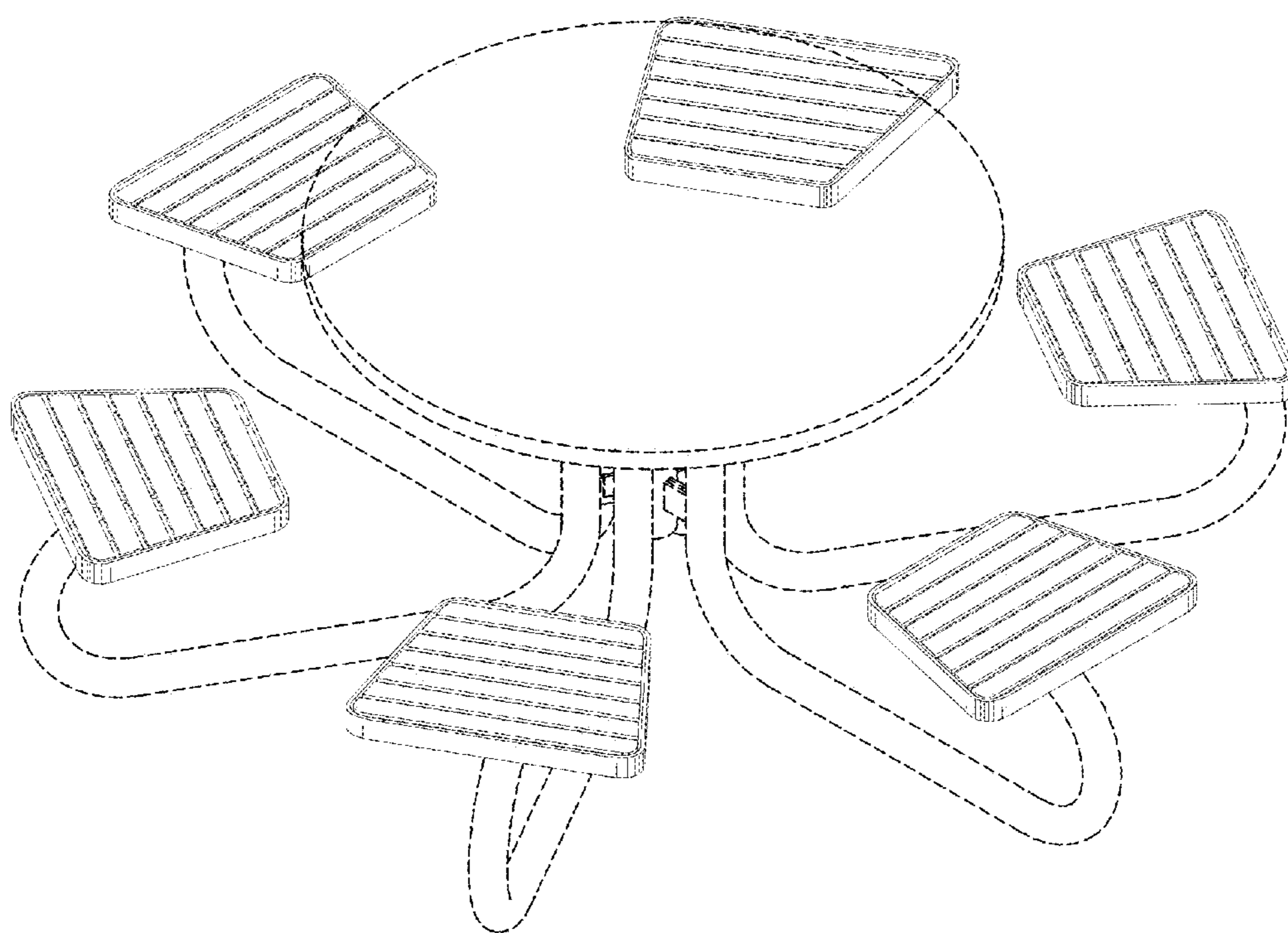


FIG. 31

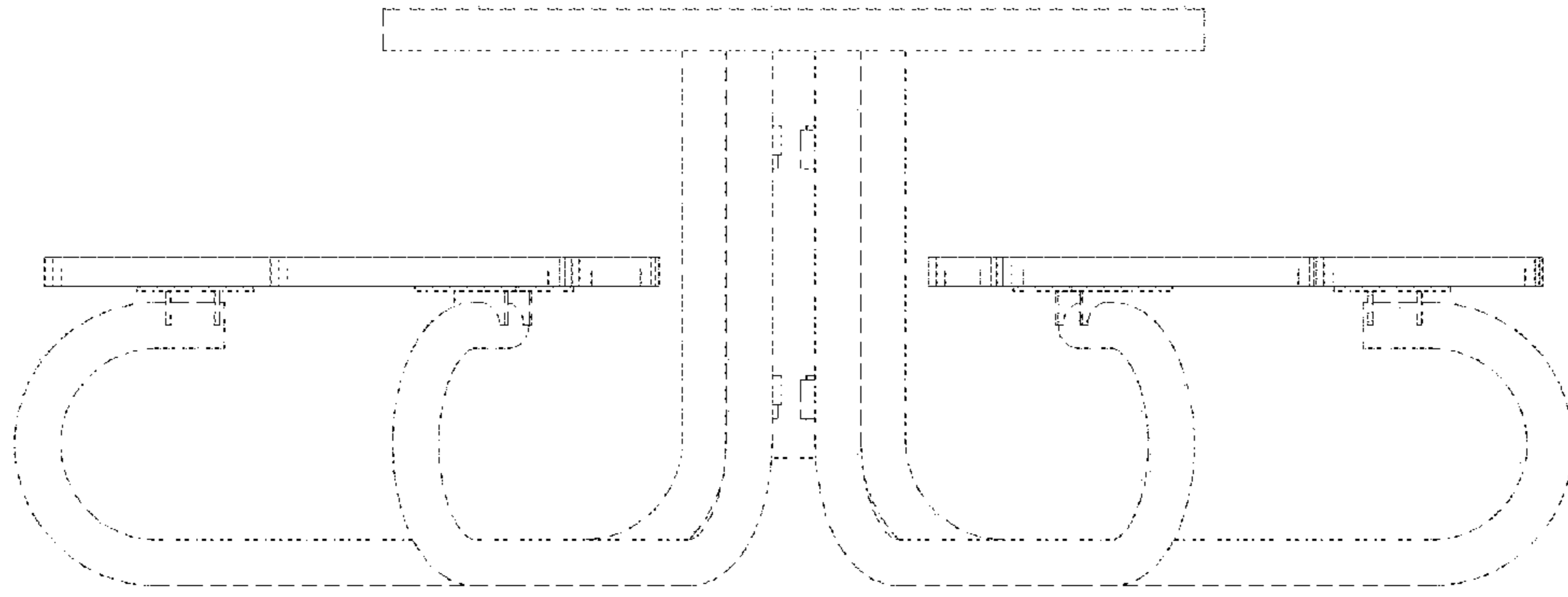


FIG. 32

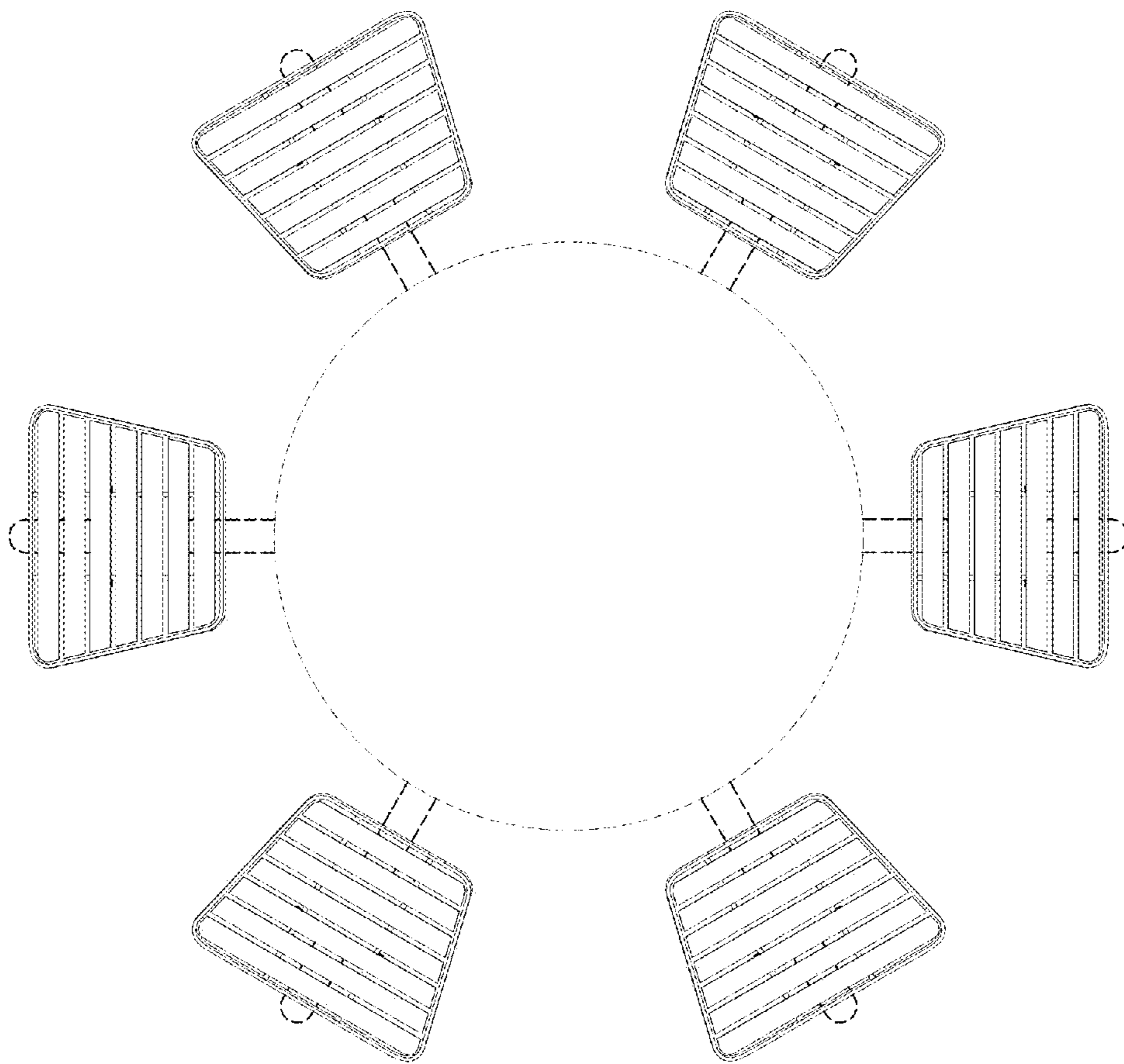


FIG. 33

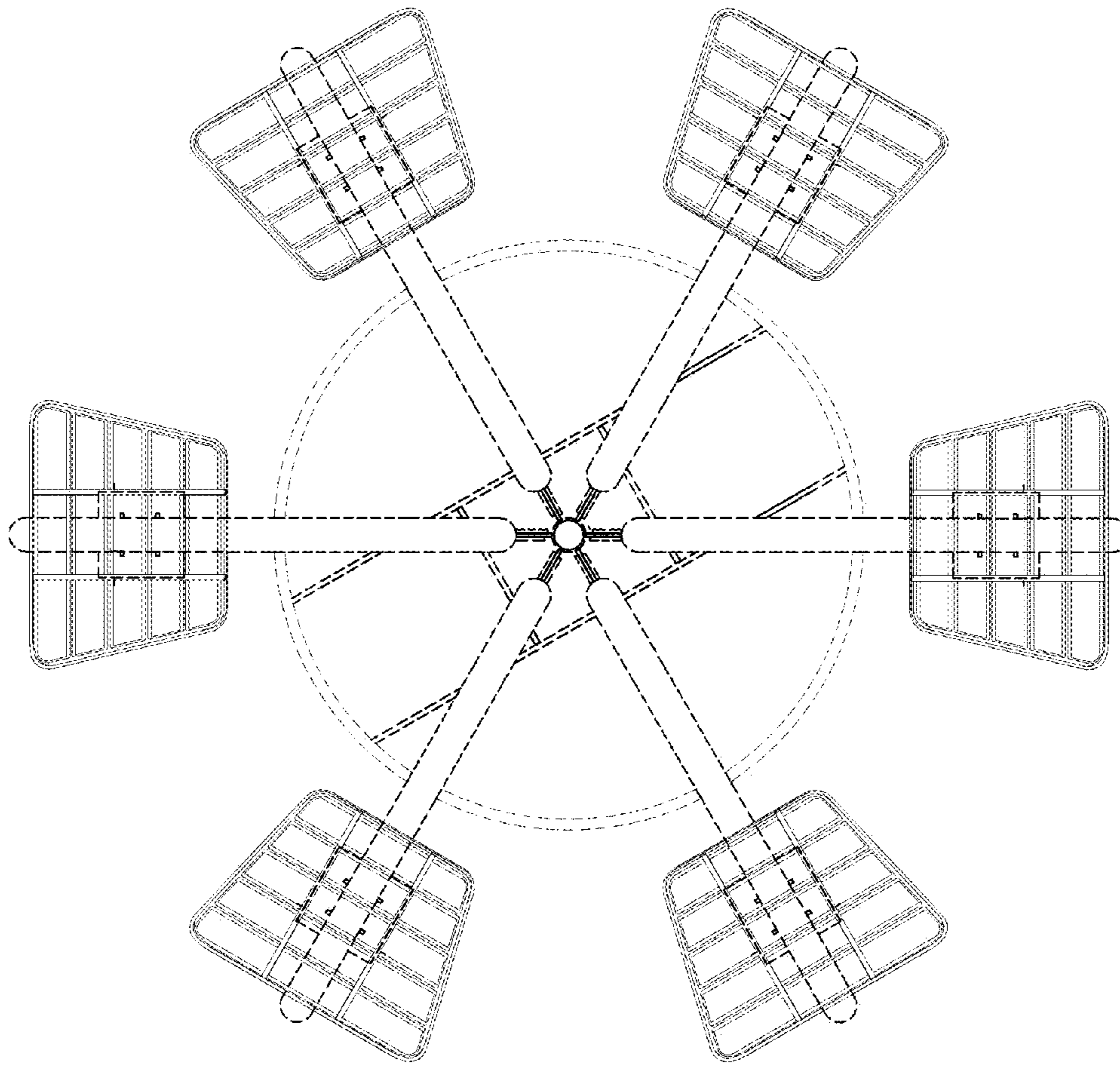


FIG. 34

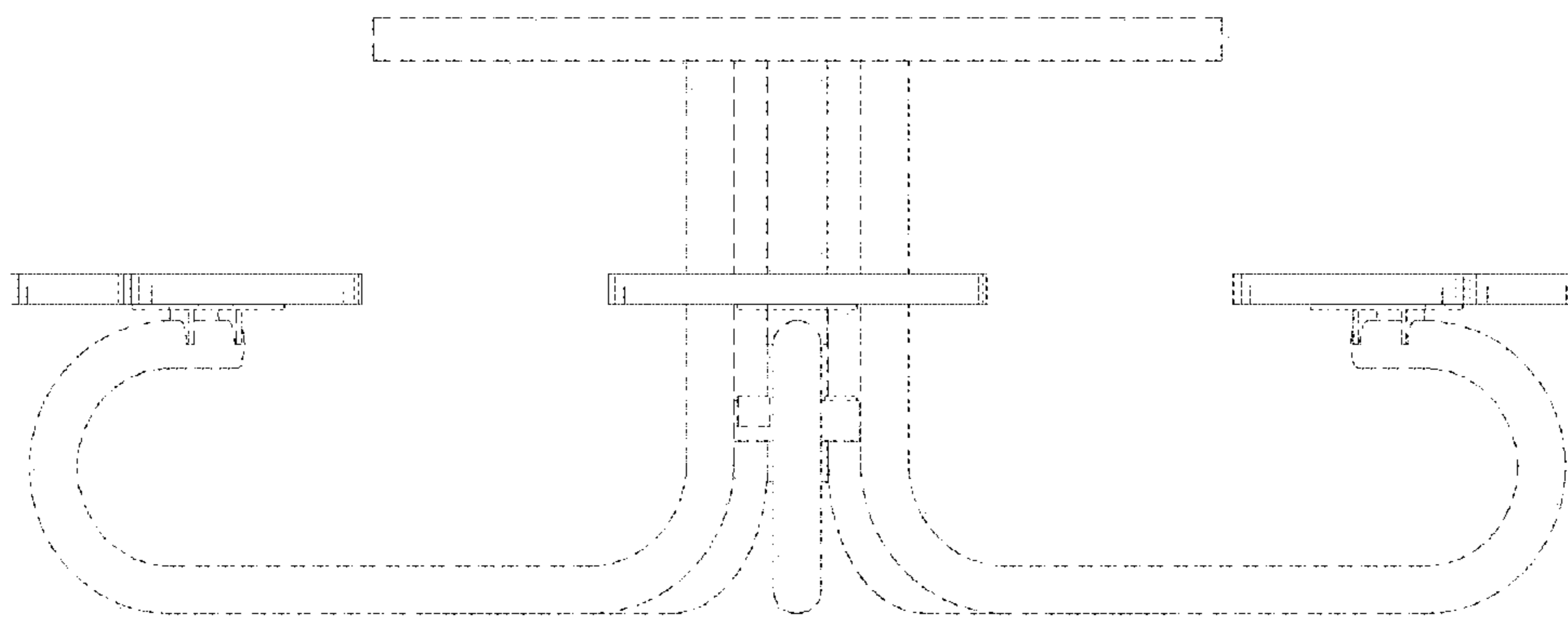


FIG. 35

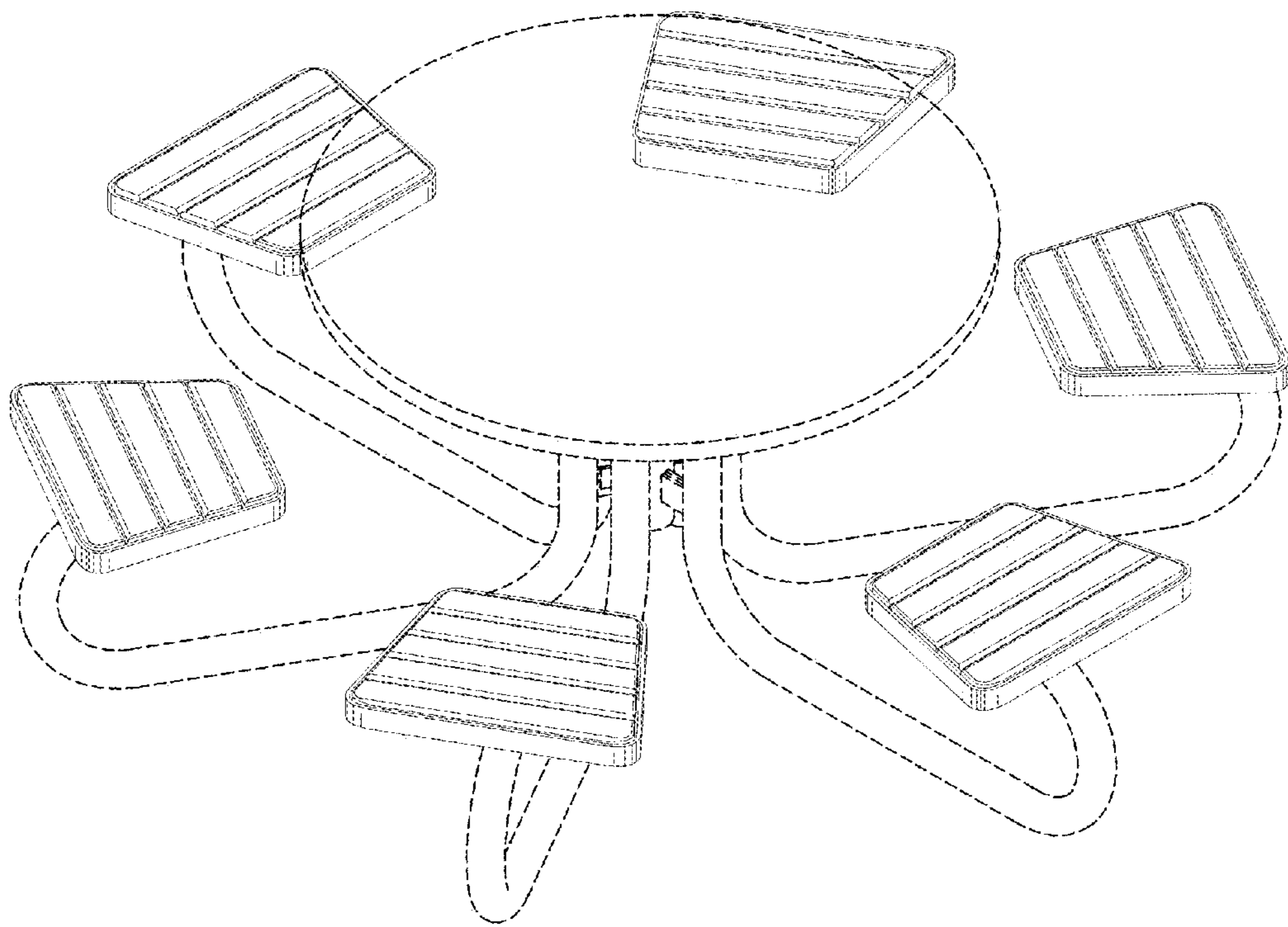


FIG. 36



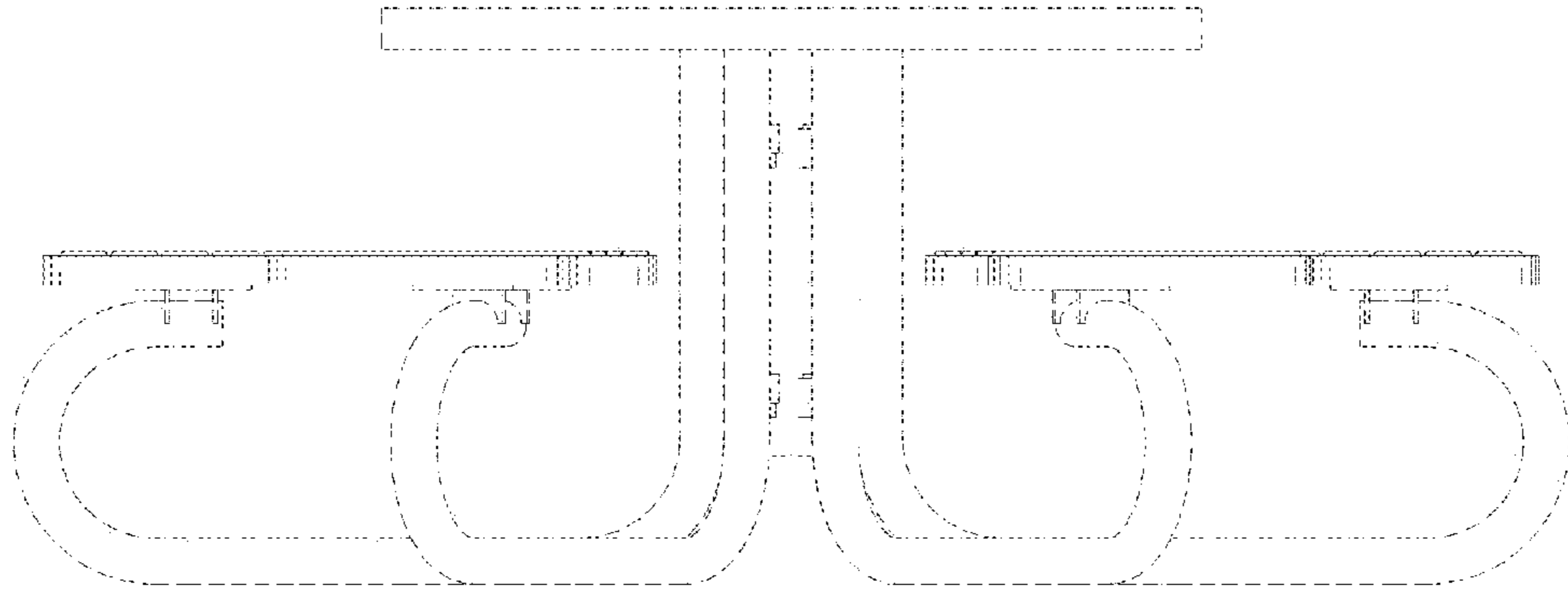


FIG. 37

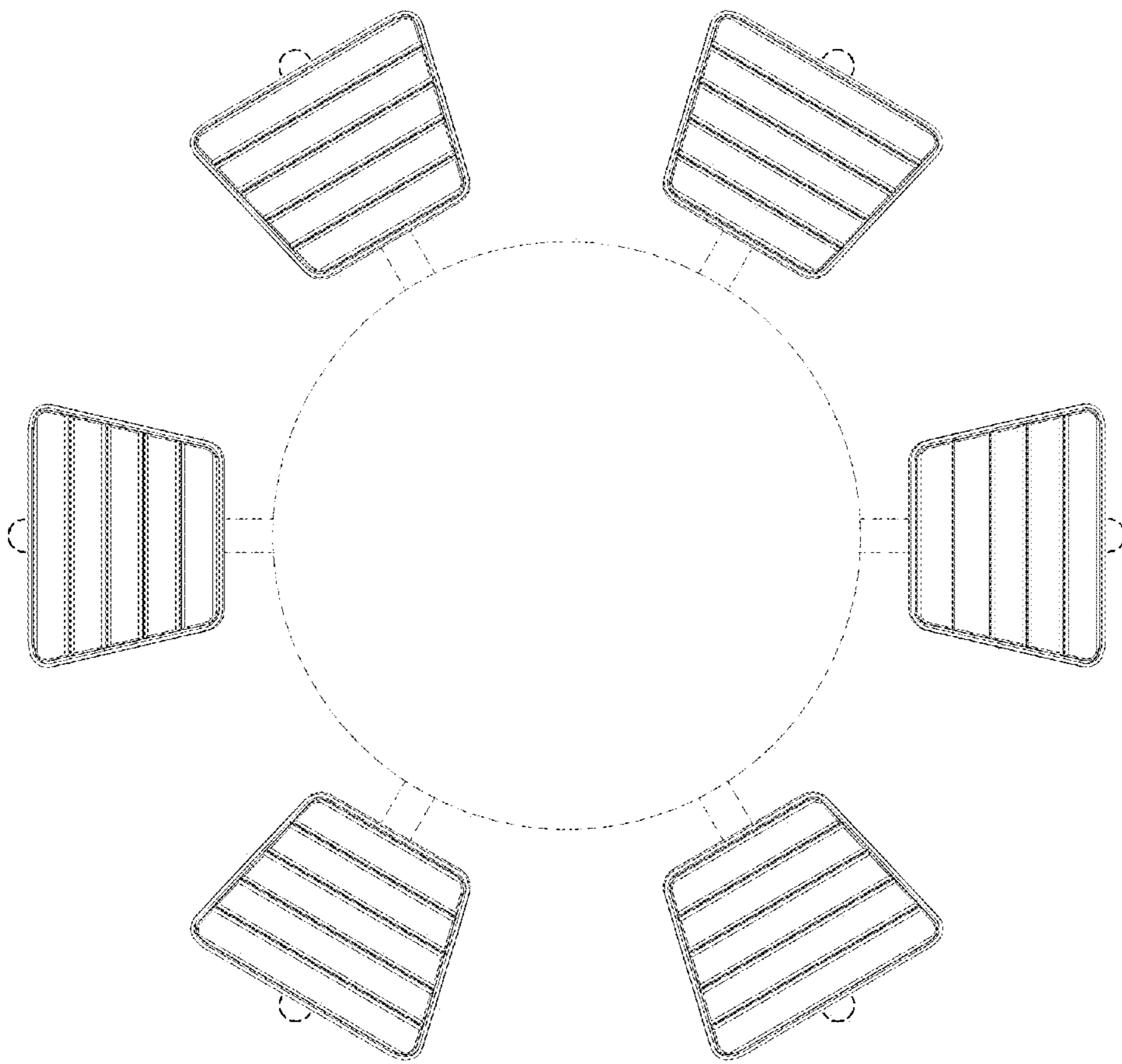


FIG. 38

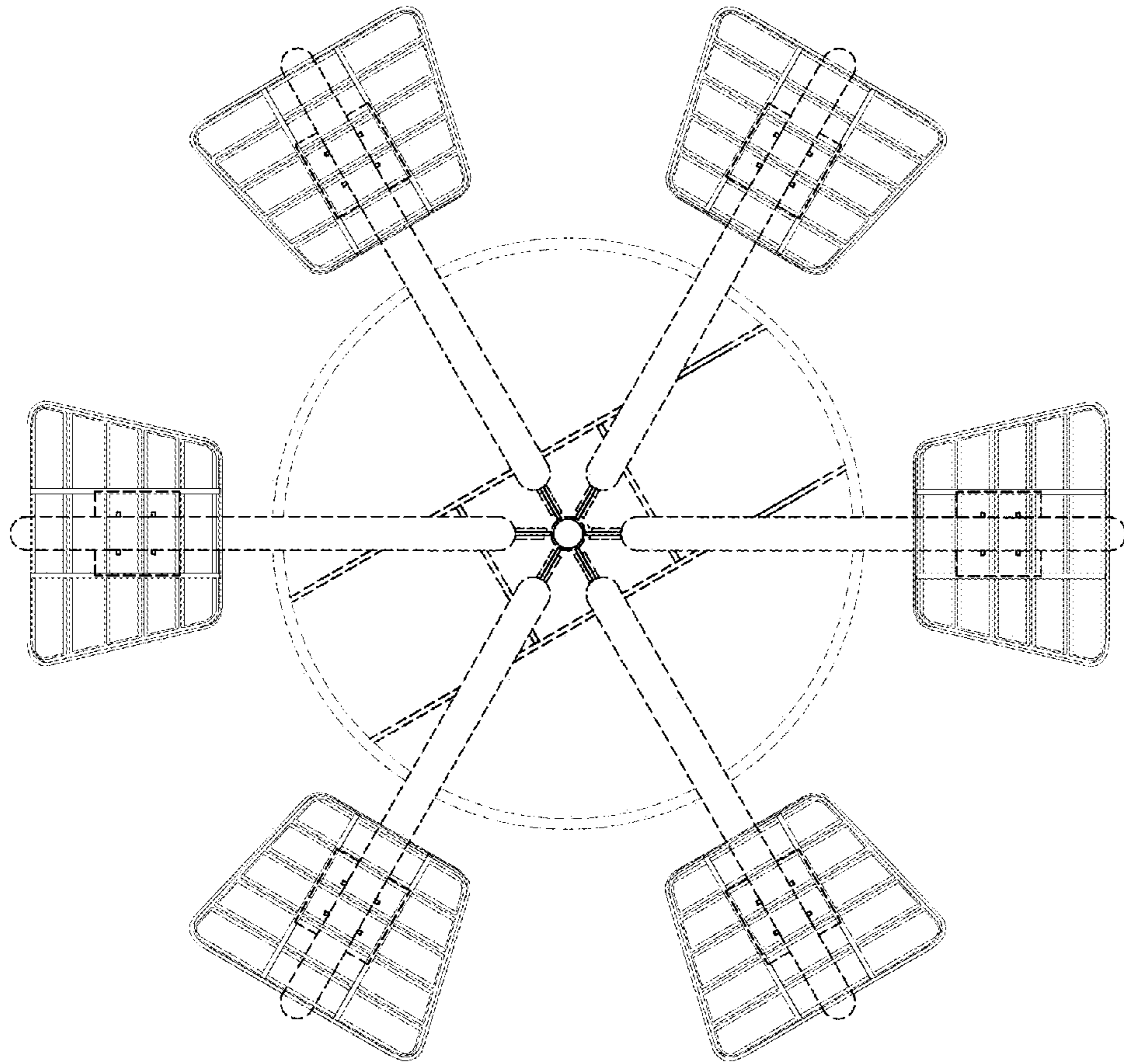


FIG. 39

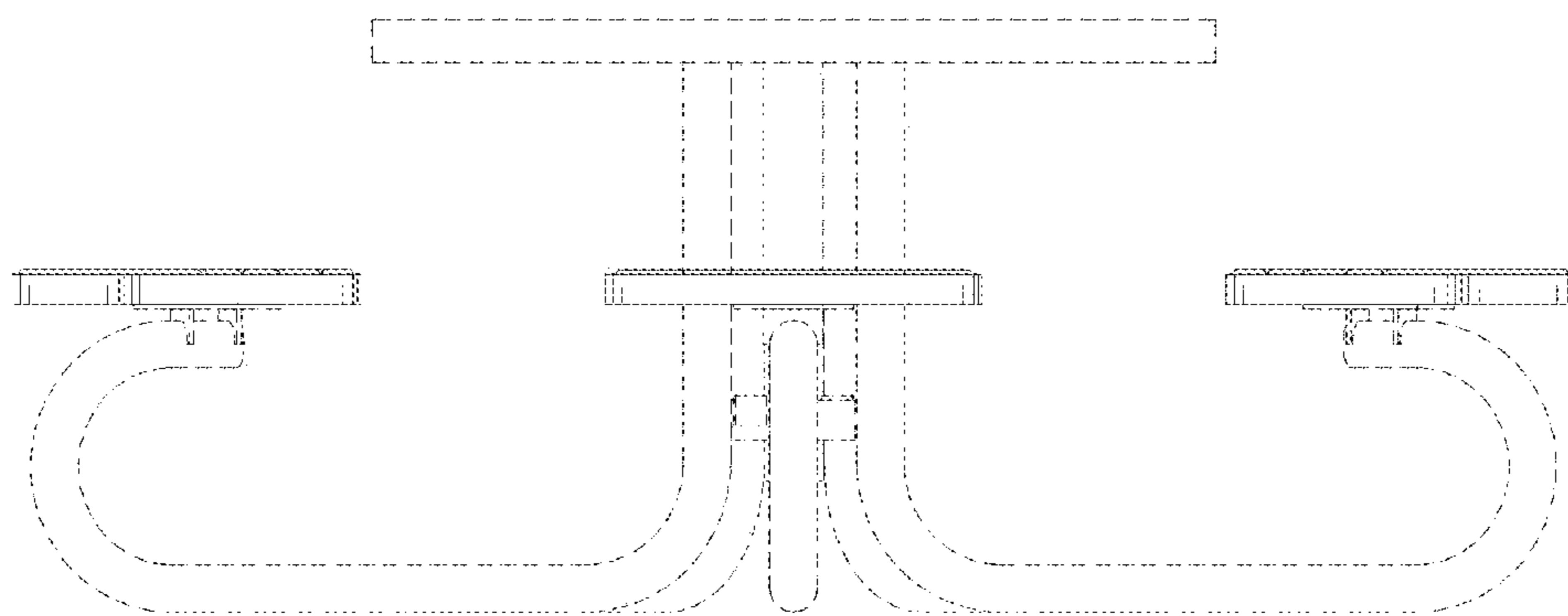


FIG. 40

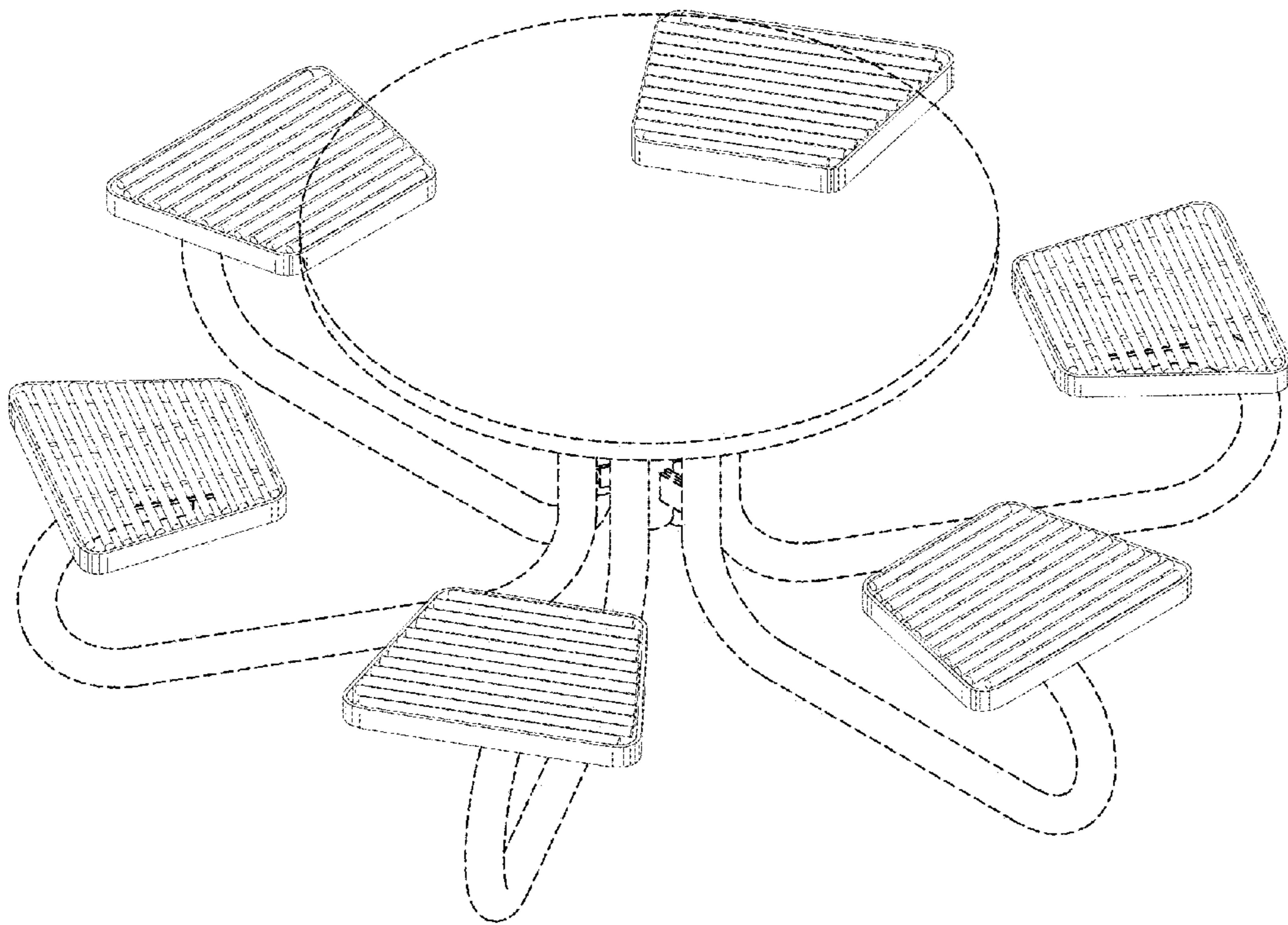


FIG. 41

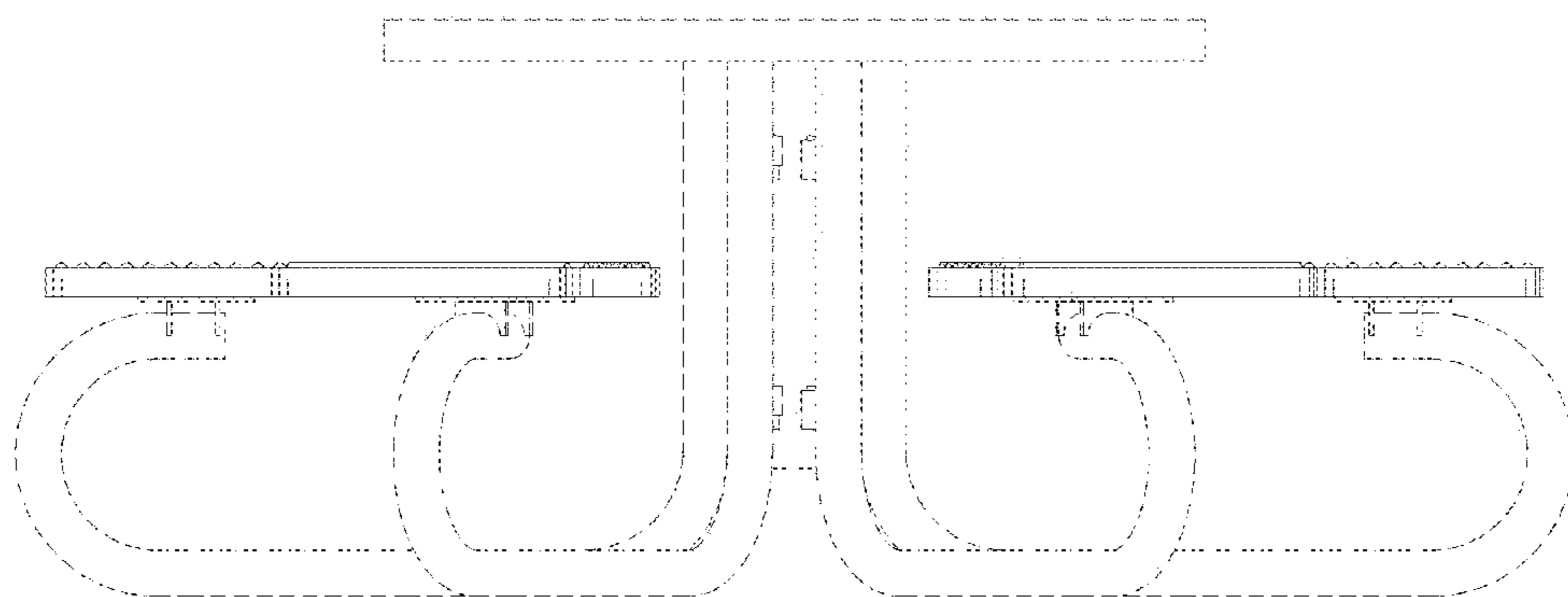


FIG. 42

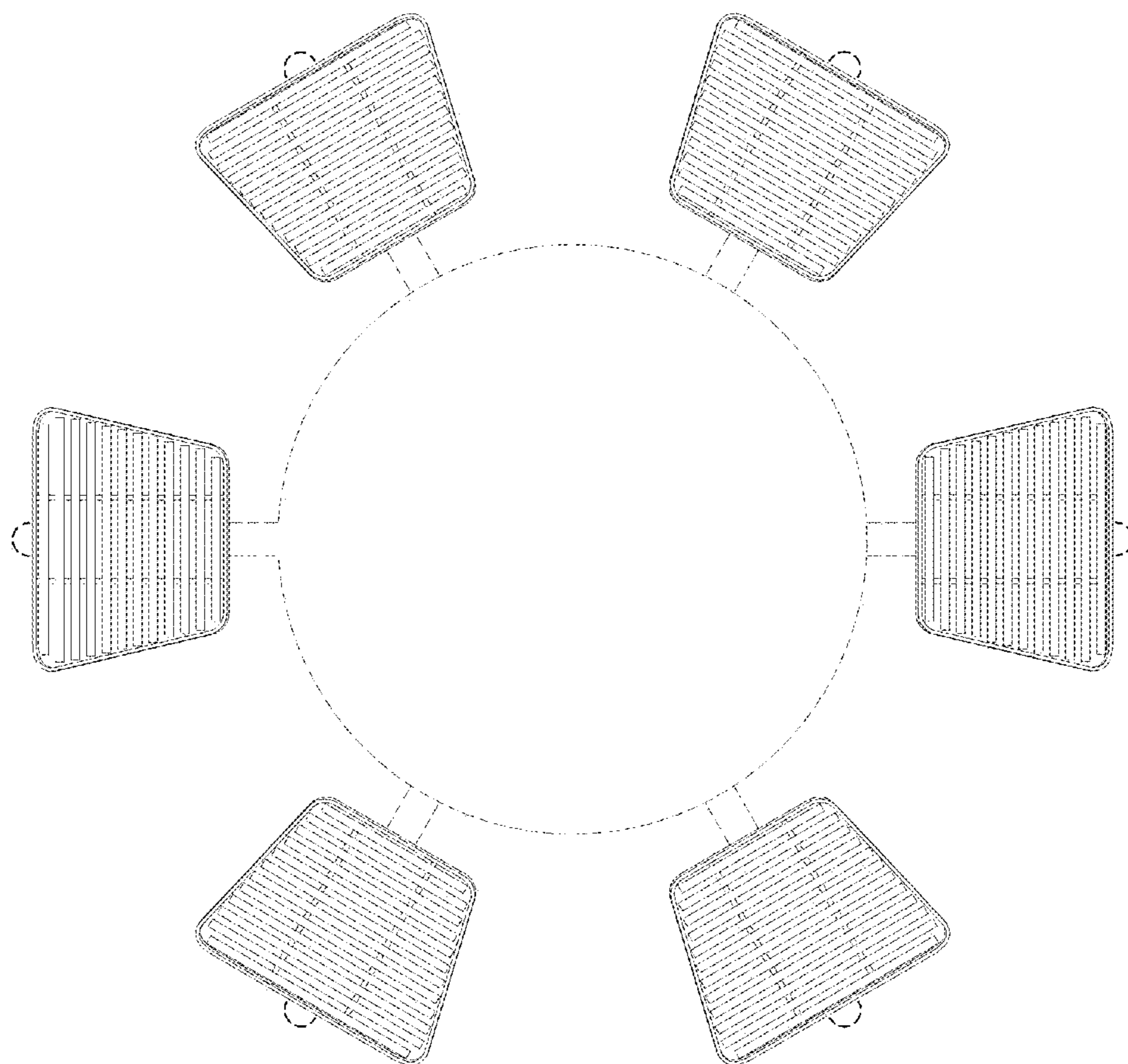


FIG. 43

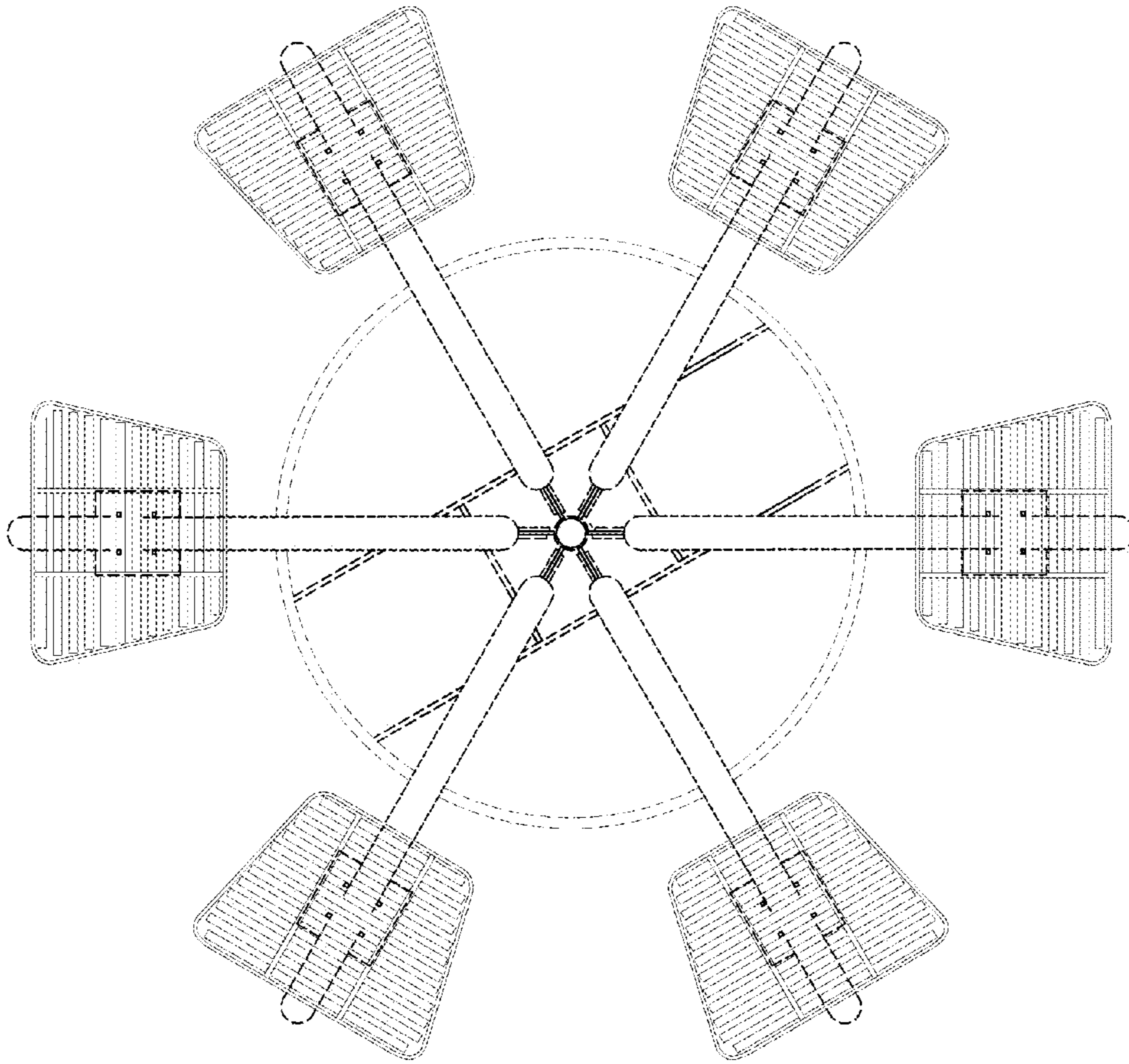


FIG. 44

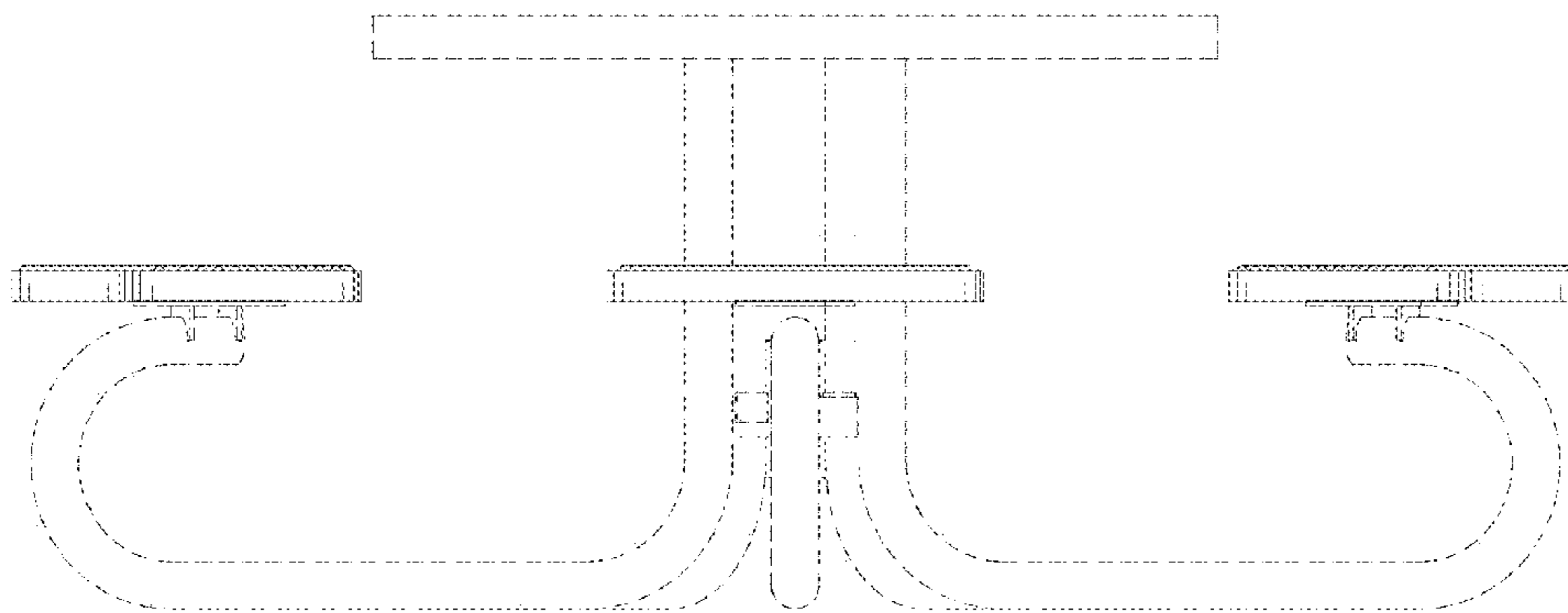


FIG. 45