



US00D687231S

(12) **United States Design Patent**
Gillett et al.

(10) **Patent No.:** **US D687,231 S**

(45) **Date of Patent:** **** Aug. 6, 2013**

(54) **CHILD CAR SEAT BASE**

(75) Inventors: **Sharon A. Gillett**, Stowe, OH (US);
Xiaosong Duan, Taipei (TW)

(73) Assignee: **Nuna International B.V.**, Erp (NL)

(**) Term: **14 Years**

(21) Appl. No.: **29/431,324**

(22) Filed: **Sep. 6, 2012**

(51) **LOC (9) Cl.** **06-01**

(52) **U.S. Cl.**
USPC **D6/333**

(58) **Field of Classification Search**
USPC D6/333, 335, 339; 297/183.1-183.4,
297/184.13, 184.15, 184.17, 250.1, 255,
297/256.1, 256.15, 256.16; D12/129; D21/412,
D21/419; 280/30-31; 5/94, 98.1, 99.1, 101,
5/102, 105, 655; 24/200, 211
See application file for complete search history.

(56) **References Cited**

U.S. PATENT DOCUMENTS

4,943,113 A * 7/1990 Meeker 297/256.16
D321,449 S * 11/1991 Meeker D6/496
D373,028 S * 8/1996 Kain D6/333
D376,919 S * 12/1996 Sedlack D6/333

D417,568 S * 12/1999 Pike D6/500
D424,311 S * 5/2000 Geis et al. D6/333
D438,716 S * 3/2001 Longenecker D6/333
D554,002 S * 10/2007 Journe D10/31
D650,597 S * 12/2011 Lehman D6/333
D661,500 S * 6/2012 Hutchinson et al. D6/333

* cited by examiner

Primary Examiner — Caron D Veynar

Assistant Examiner — Abraham Bahta

(74) *Attorney, Agent, or Firm* — Bacon & Thomas, PLLC

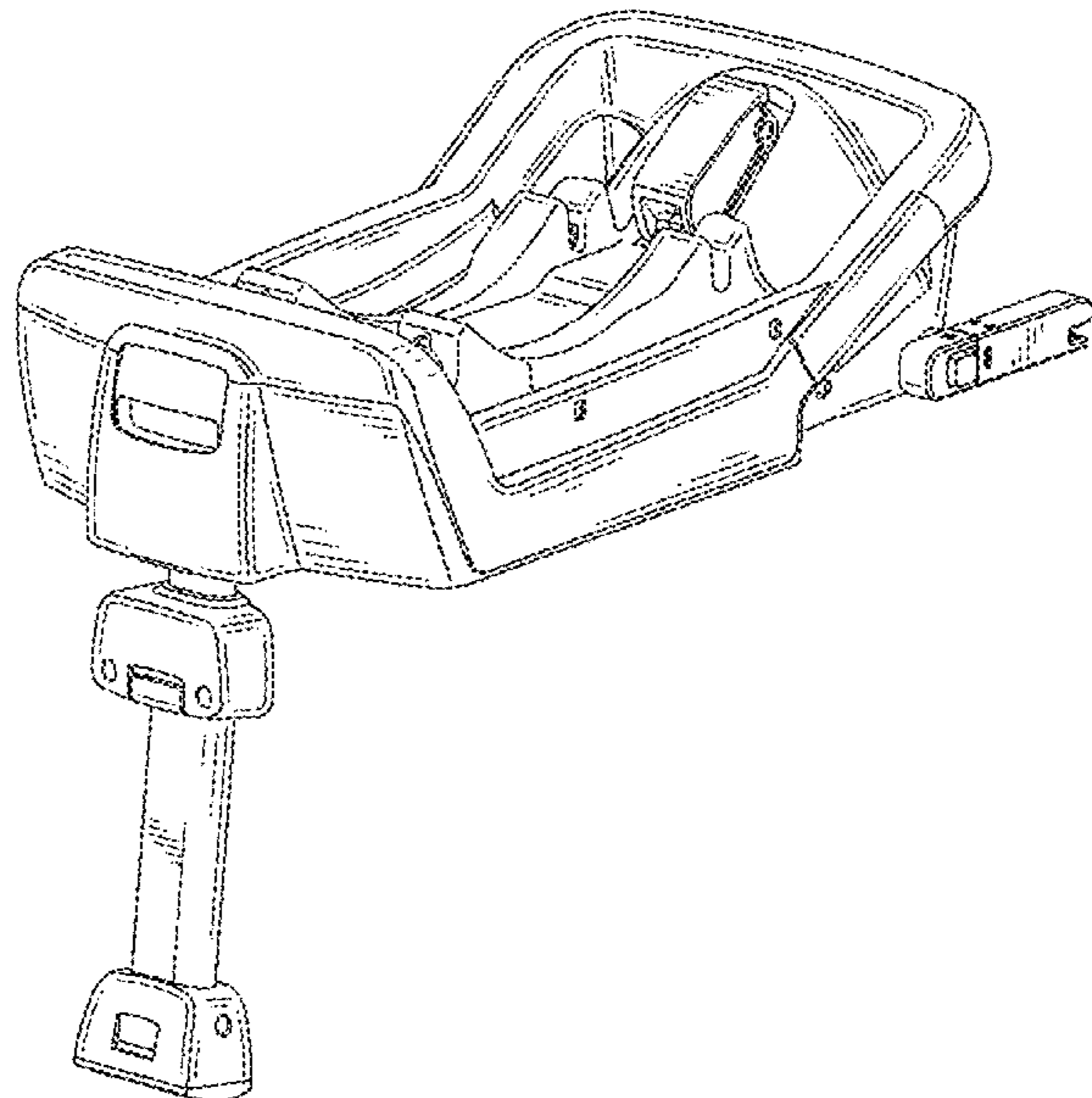
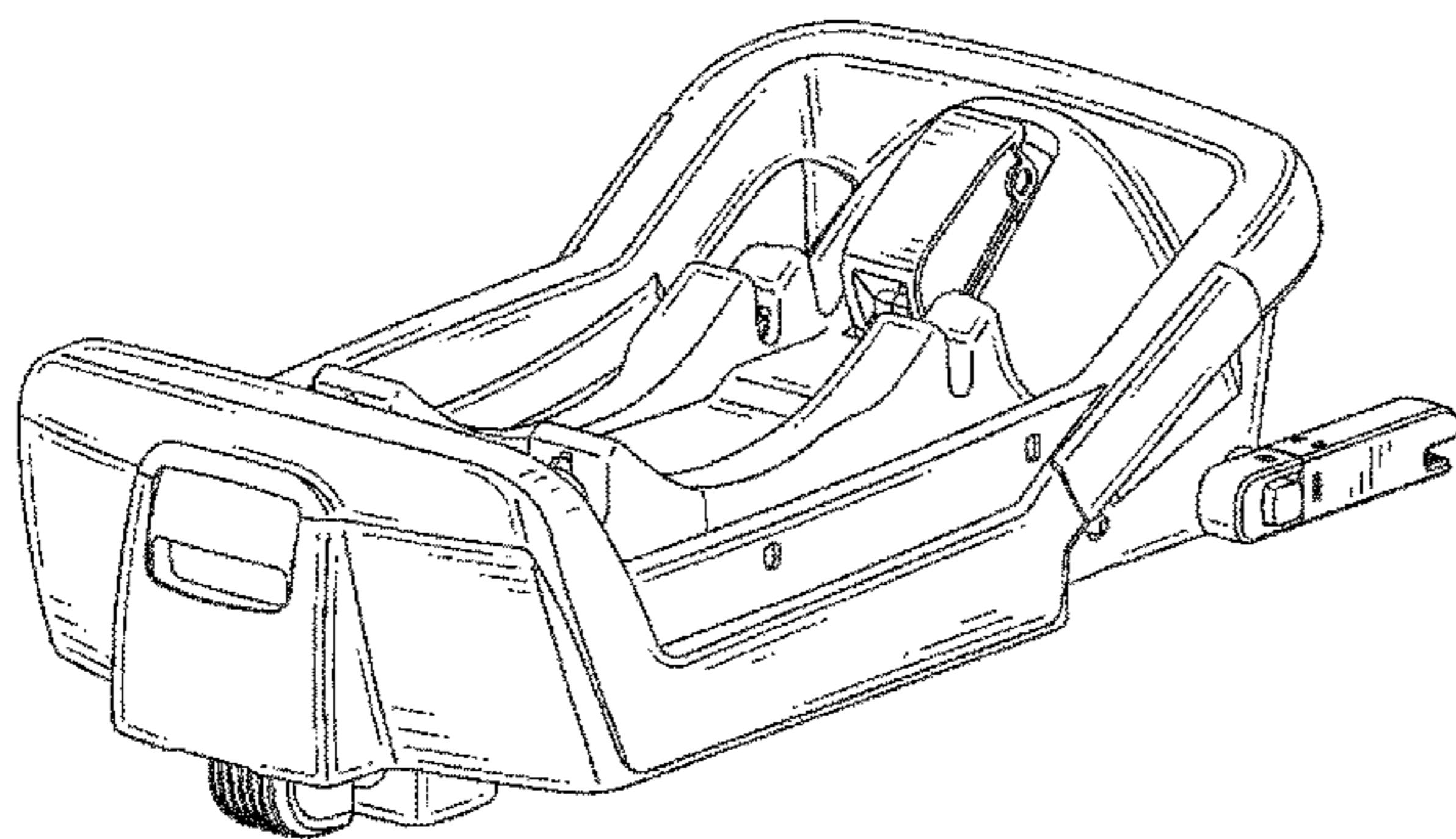
(57) **CLAIM**

The ornamental design for a child car seat base, as shown and described.

DESCRIPTION

FIG. 1 is a perspective view of a child car seat base in accordance with our new design;
FIG. 2 is a front view of FIG. 1;
FIG. 3 is a rear view of FIG. 1;
FIG. 4 is a top view of FIG. 1;
FIG. 5 is a bottom view of FIG. 1;
FIG. 6 is a left side view of FIG. 1;
FIG. 7 is a right side view of FIG. 1; and,
FIG. 8 is a perspective view showing the child car seat base shown in FIG. 1 in use.

1 Claim, 3 Drawing Sheets



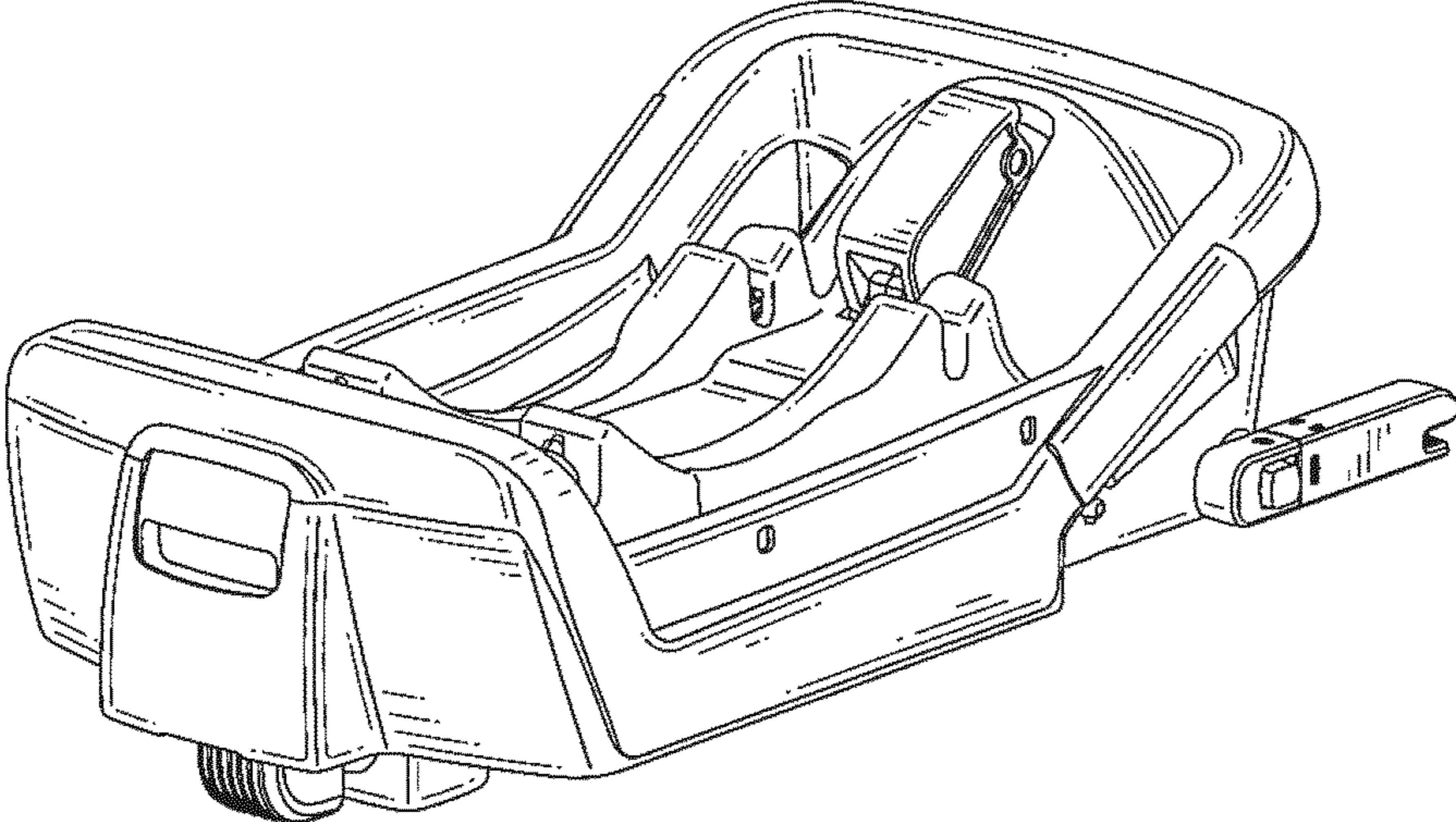


FIG. 1

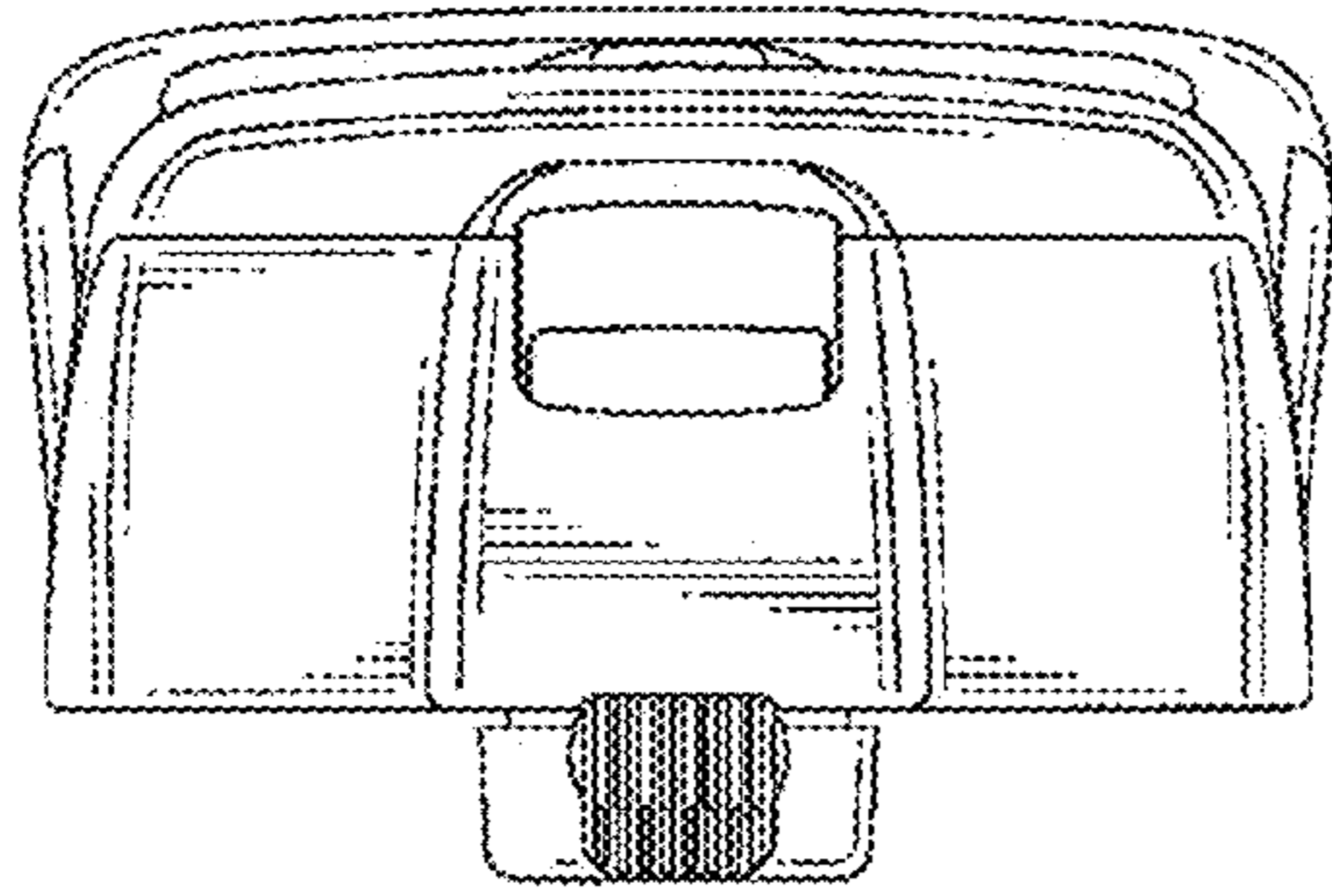


FIG. 2

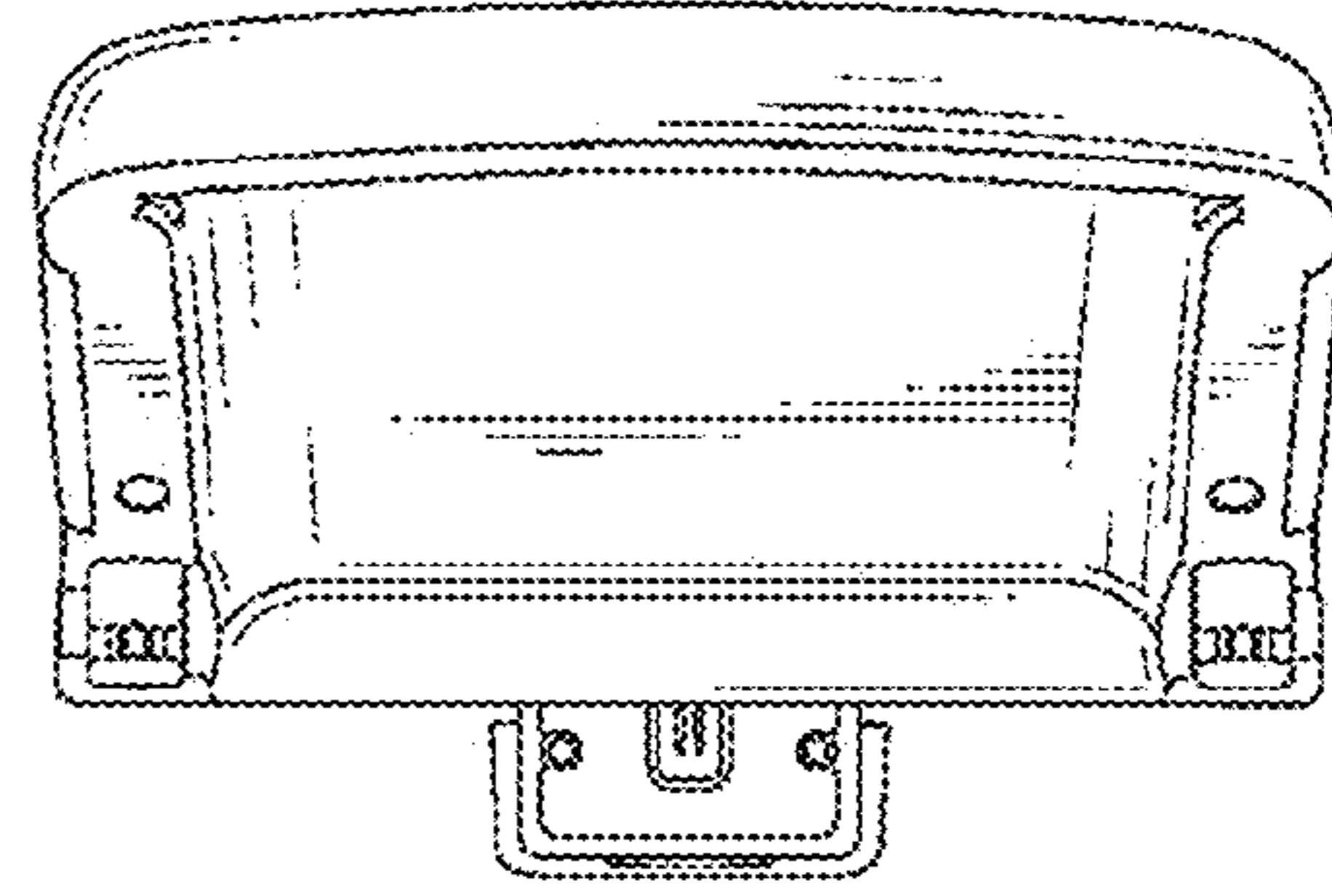


FIG. 3

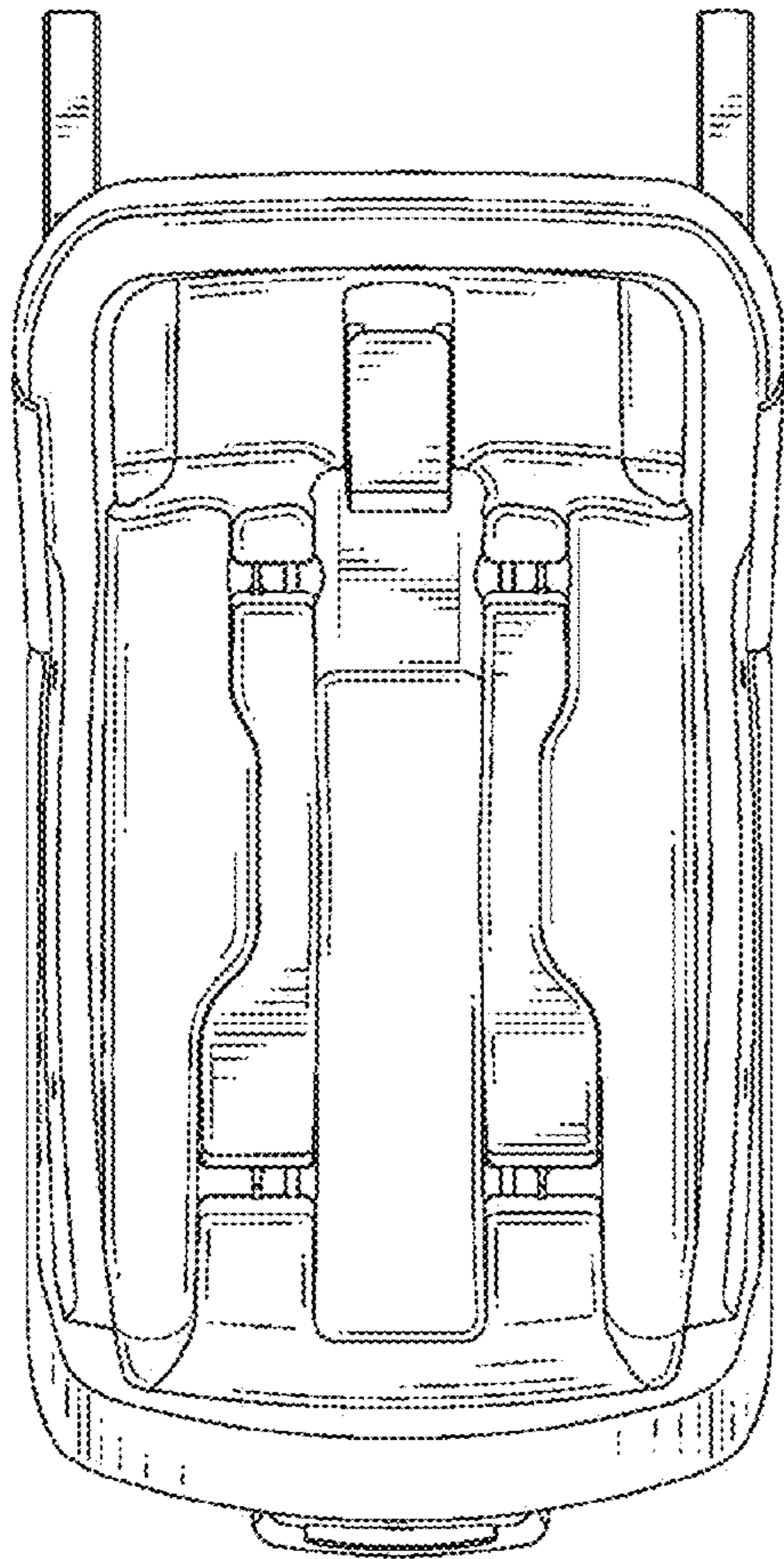


FIG. 4

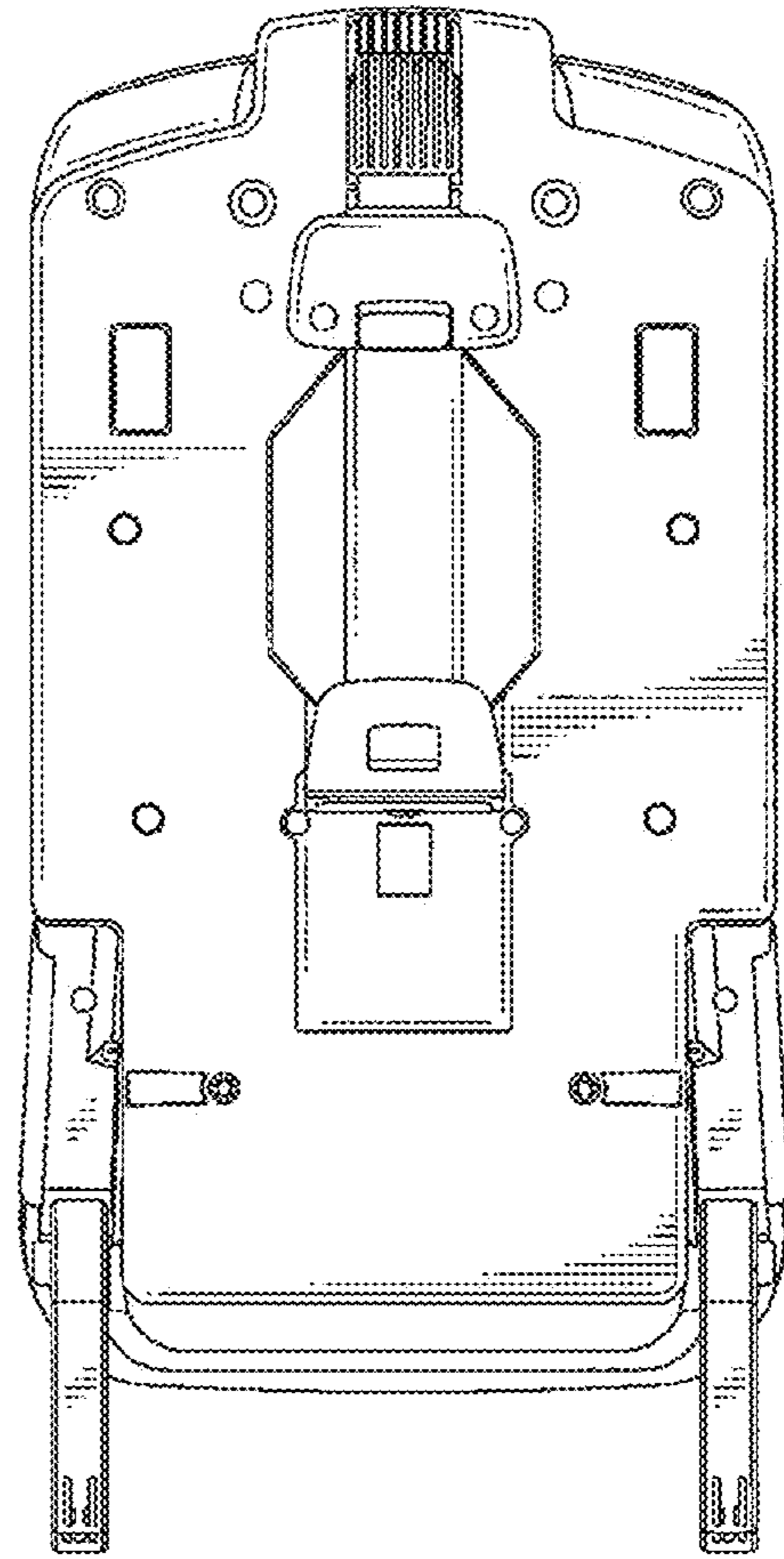


FIG. 5

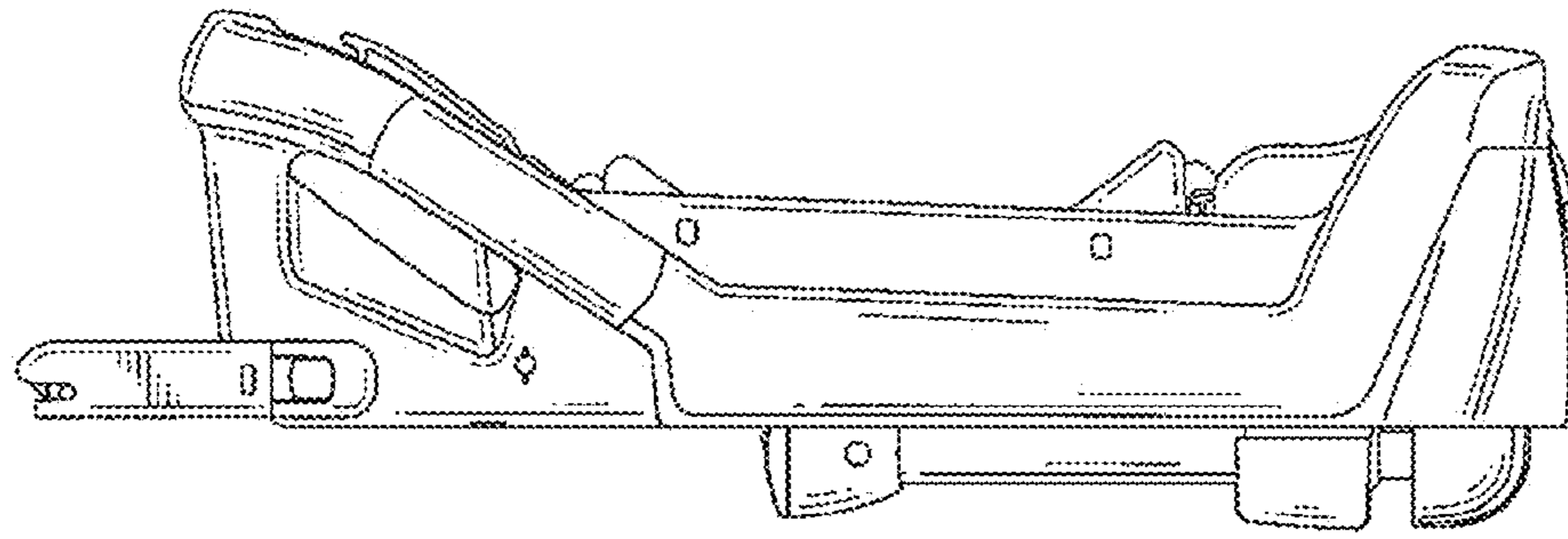


FIG. 6

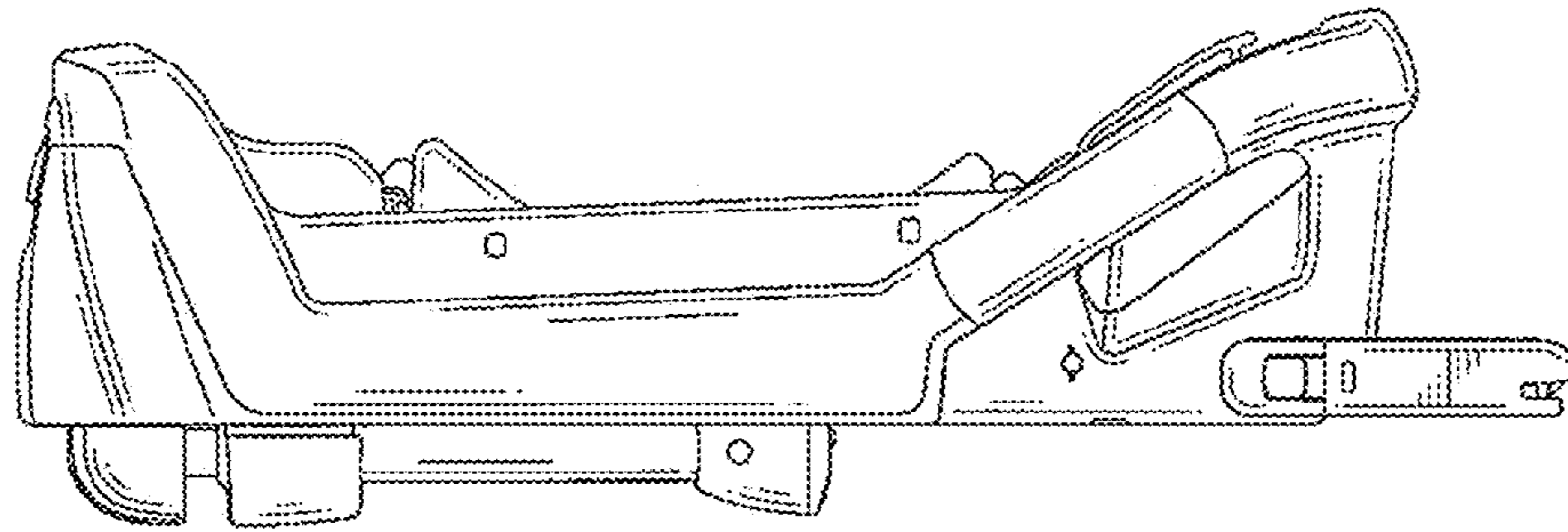


FIG. 7

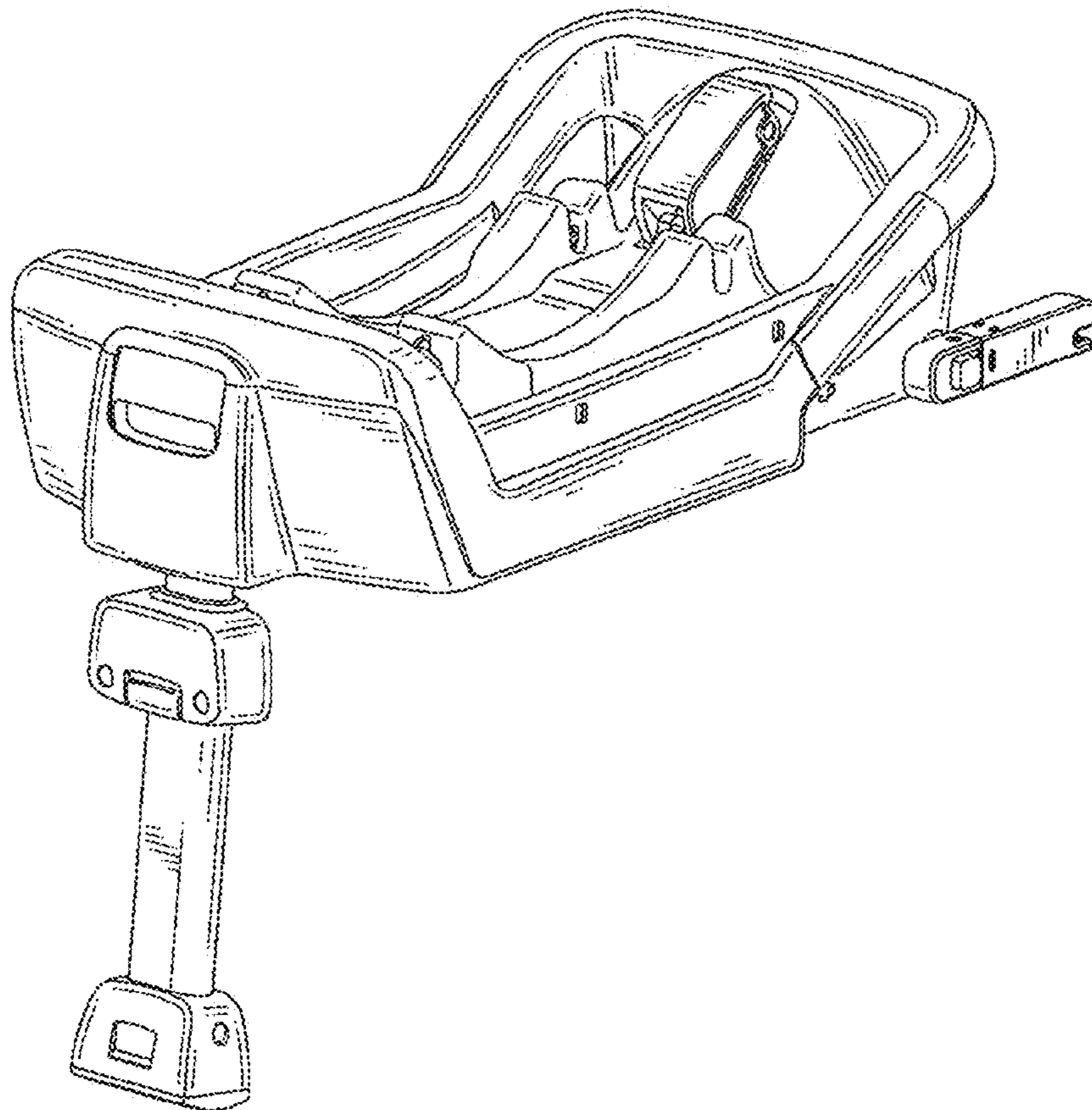


FIG. 8