



US00D687230S

(12) **United States Design Patent**  
**Smith et al.**

(10) **Patent No.:** **US D687,230 S**  
(45) **Date of Patent:** **\*\* Aug. 6, 2013**

(54) **WALL MOUNT**

(75) Inventors: **Scott A. Smith**, Mason, OH (US); **Ryan A. Brazelton**, Centerville, OH (US); **Patrick J. Bertke**, Dayton, OH (US)

(73) Assignee: **Six Continents Hotels, Inc.**, Atlanta, GA (US)

(\*\*) Term: **14 Years**

(21) Appl. No.: **29/409,656**

(22) Filed: **Dec. 27, 2011**

**Related U.S. Application Data**

(62) Division of application No. 29/326,623, filed on Oct. 21, 2008, now Pat. No. Des. 651,413.

(51) **LOC (9) Cl.** ..... **06-07**

(52) **U.S. Cl.**  
USPC ..... **D6/300**

(58) **Field of Classification Search**  
USPC ..... D6/300-314, 449; D20/18, 10; D18/26;  
D14/125; D10/2; 40/768, 700  
See application file for complete search history.

(56) **References Cited**

**U.S. PATENT DOCUMENTS**

D306,661	S	*	3/1990	Sanford	.....	D6/301
D359,989	S	*	7/1995	Sukovich	.....	D20/18
D364,647	S	*	11/1995	Johnson	.....	D20/18
D391,991	S	*	3/1998	Conner	.....	D20/10
D397,356	S	*	8/1998	Wen et al.	.....	D18/26

D409,096	S	*	5/1999	Young	.....	D10/2
D421,682	S	*	3/2000	Rowan	.....	D6/301
D426,071	S	*	6/2000	Vandemore	.....	D6/301
D439,223	S	*	3/2001	Sheckler	.....	D14/125
D453,422	S	*	2/2002	Morgan	.....	D6/301
D458,461	S	*	6/2002	Ragan-Masters et al.	.....	D6/301
6,536,149	B1	*	3/2003	Phillips	.....	40/768
D502,005	S	*	2/2005	Henry	.....	D6/301
D526,492	S	*	8/2006	Sakaguchi	.....	D6/301
D526,794	S	*	8/2006	Sakaguchi	.....	D6/301
D527,914	S	*	9/2006	Sakaguchi	.....	D6/301
D532,615	S	*	11/2006	Sakaguchi	.....	D6/301
D575,532	S	*	8/2008	Whetman	.....	D6/301

\* cited by examiner

*Primary Examiner* — Philip S Hyder

*Assistant Examiner* — Sydney Buffalow

(74) *Attorney, Agent, or Firm* — Kilpatrick Townsend & Stockton LLP

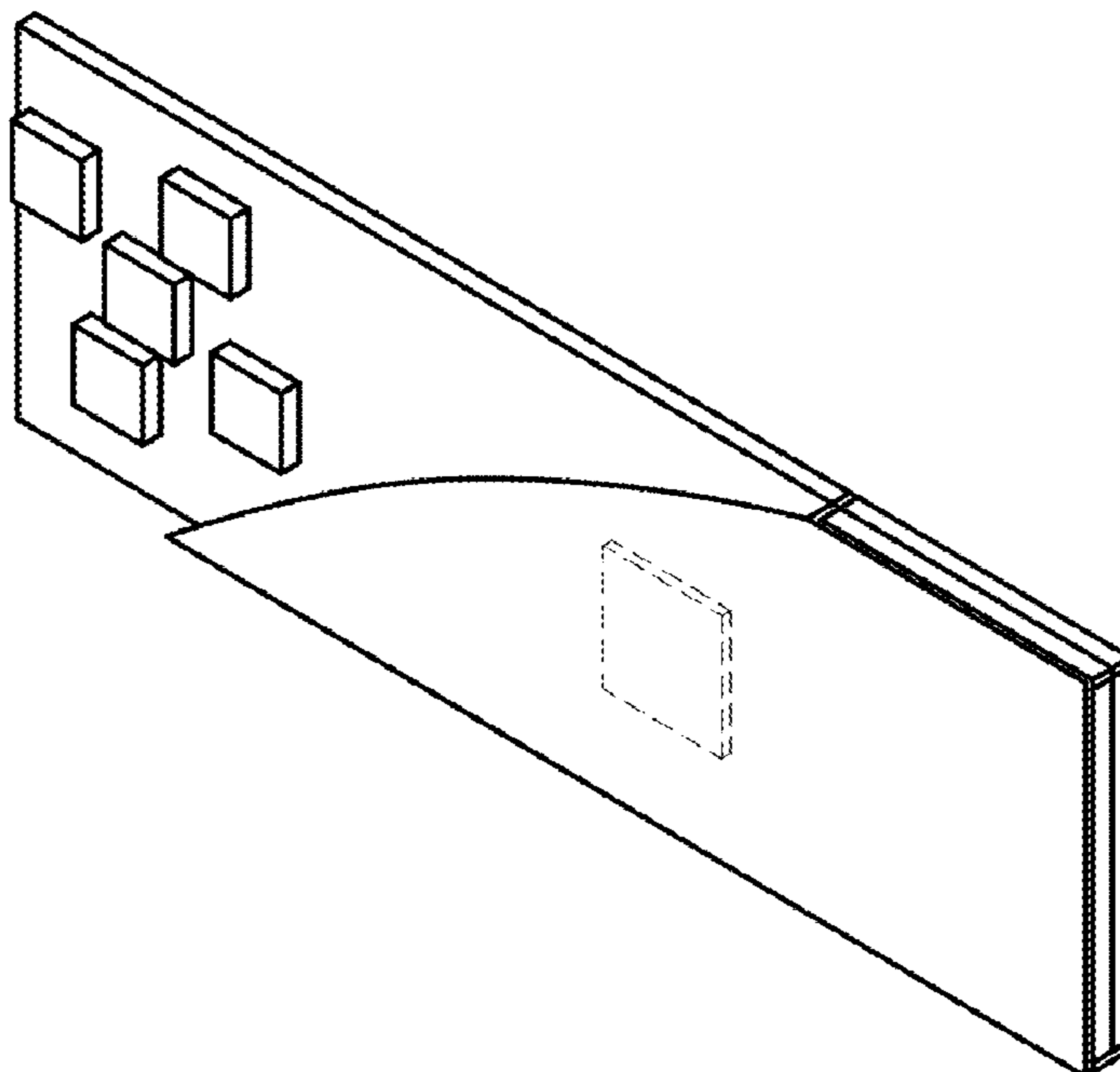
(57) **CLAIM**

The ornamental design for a wall mount, as shown and described.

**DESCRIPTION**

FIG. 1 is a perspective view of a first embodiment of the wall mount showing our new design thereof; FIG. 2 is a front view thereof; and, FIG. 3 is an enlarged left side view thereof. The broken line showing is for illustrative purposes only and forms no part of the claimed design.

**1 Claim, 1 Drawing Sheet**



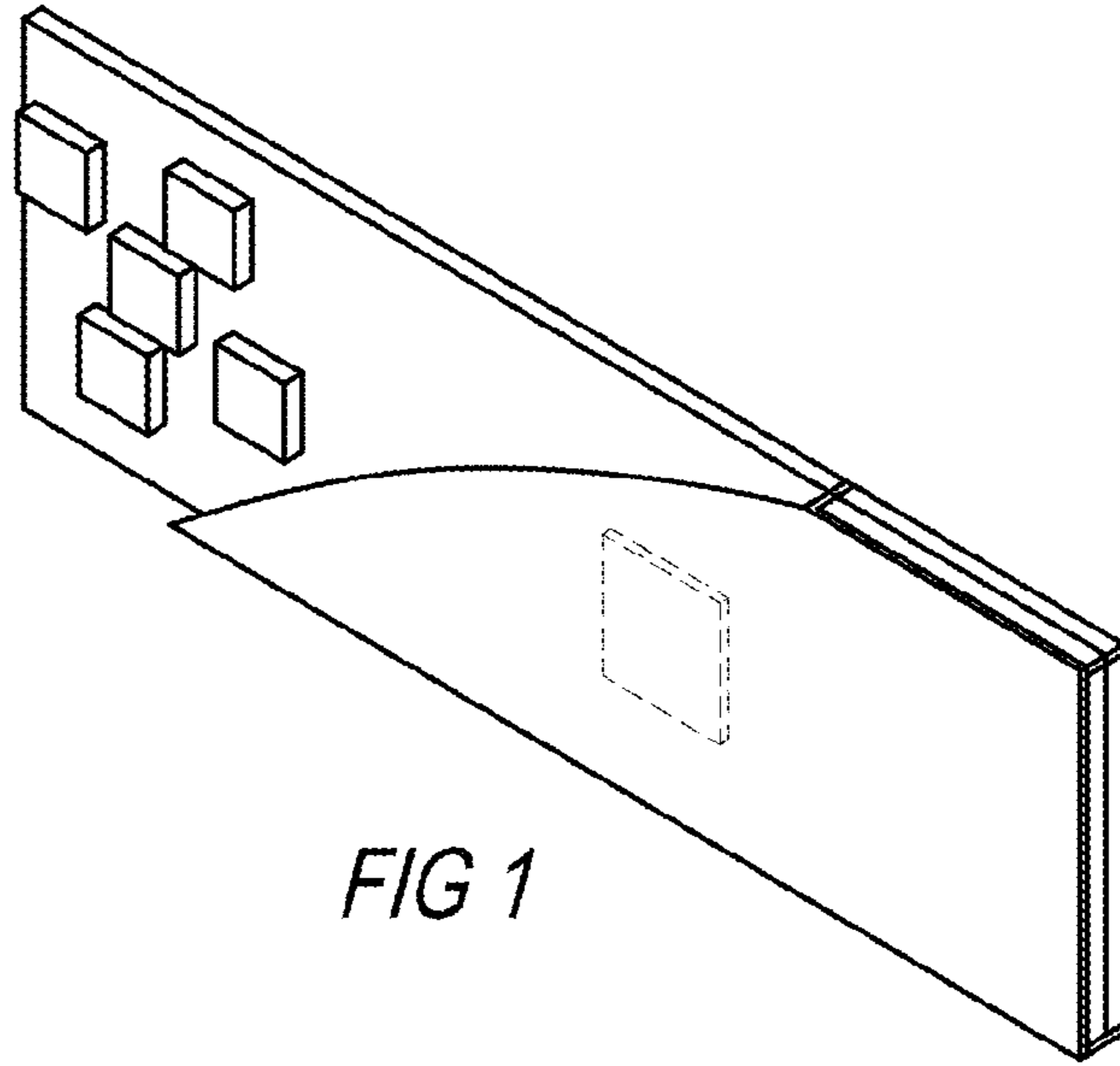


FIG. 1

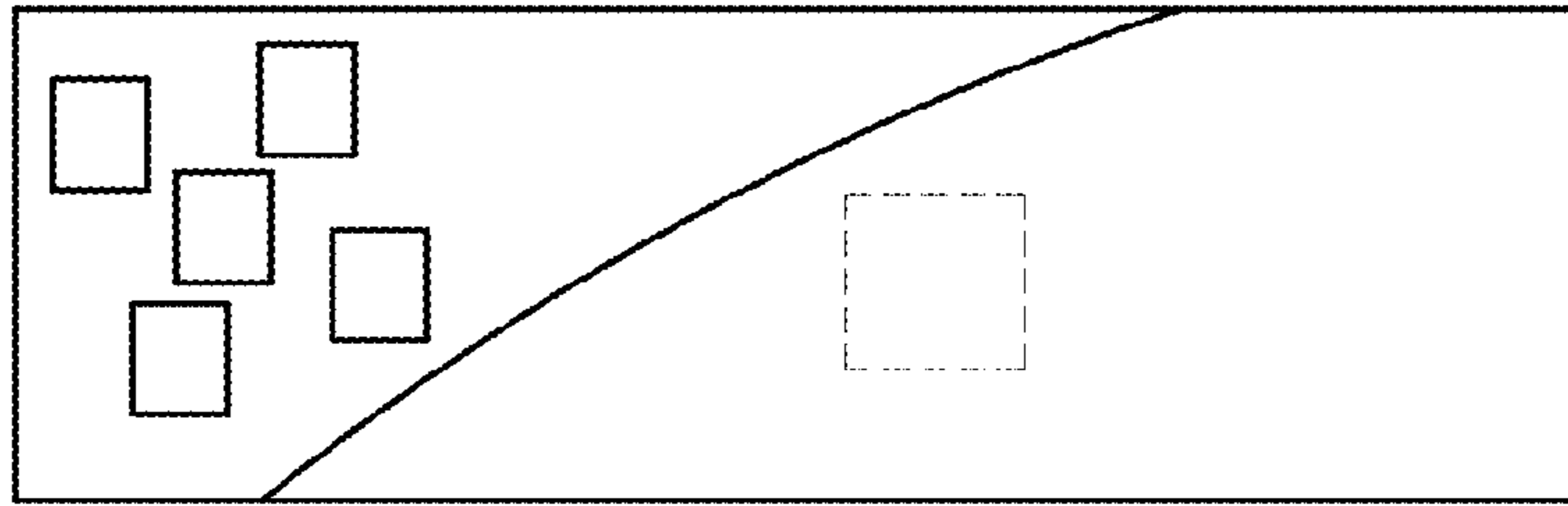


FIG. 2

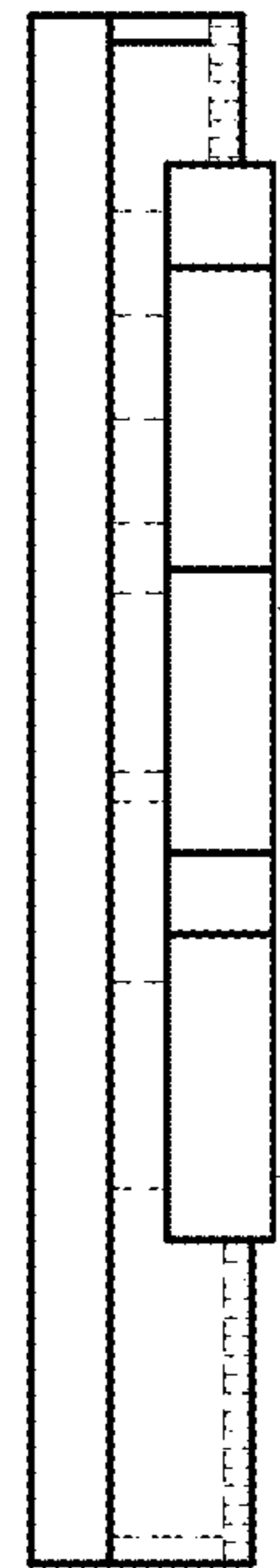


FIG. 3